



US00D799032S

(12) **United States Design Patent**
Becker

(10) **Patent No.:** **US D799,032 S**
(45) **Date of Patent:** **** Oct. 3, 2017**

(54) **ENTERAL FEEDING CONNECTOR MALE COMPONENT**

(71) Applicant: **Fresenius Kabi Deutschland GmbH**,
Bad Homburg (DE)

(72) Inventor: **Michael Becker**, Knittlingen (DE)

(73) Assignee: **Fresenius Kabi Deutschland GmbH**,
Bad Homburg (DE)

(**) Term: **15 Years**

(21) Appl. No.: **29/545,150**

(22) Filed: **Nov. 10, 2015**

(30) **Foreign Application Priority Data**

May 18, 2015 (EM) 002702597

(51) **LOC (10) Cl.** **24-02**

(52) **U.S. Cl.**
USPC **D24/129**

(58) **Field of Classification Search**
USPC D24/107, 108, 112, 127, 129; D23/262
CPC A61M 39/10; A61M 39/1011
See application file for complete search history.

(56) **References Cited**

U.S. PATENT DOCUMENTS

D314,050 S *	1/1991	Sone	D24/129
D679,009 S *	3/2013	Amborn	D24/129
D757,259 S *	5/2016	Duck	D24/129
2008/0140055 A1 *	6/2008	Shirley	A61J 15/0015 604/535
2012/0022457 A1 *	1/2012	Silver	A61M 39/1011 604/187
2013/0320672 A1 *	12/2013	Steele	F16L 37/0982 285/305

2015/0119855 A1 *	4/2015	Khalaj	A61M 39/10 604/513
2016/0030293 A1 *	2/2016	Dorsey	A61J 15/0096 604/506
2016/0089528 A1 *	3/2016	Schuessler	A61M 39/10 604/535

* cited by examiner

Primary Examiner — Richelle G Shelton

(74) *Attorney, Agent, or Firm* — Cook Alex Ltd.

(57) **CLAIM**

The ornamental design for the male component of enteral feeding connector, as shown and described.

DESCRIPTION

FIG. 1 is a top perspective view of an enteral feeding connector male component showing my new design, the opposite top perspective view being identical;

FIG. 2 is a front view of the male component of enteral feeding connector of FIG. 1;

FIG. 3 a back view of the male component of enteral feeding connector of FIG. 1.

FIG. 4 is an elevational end view of the male component of enteral feeding connector taken from the right-hand side of FIG. 2;

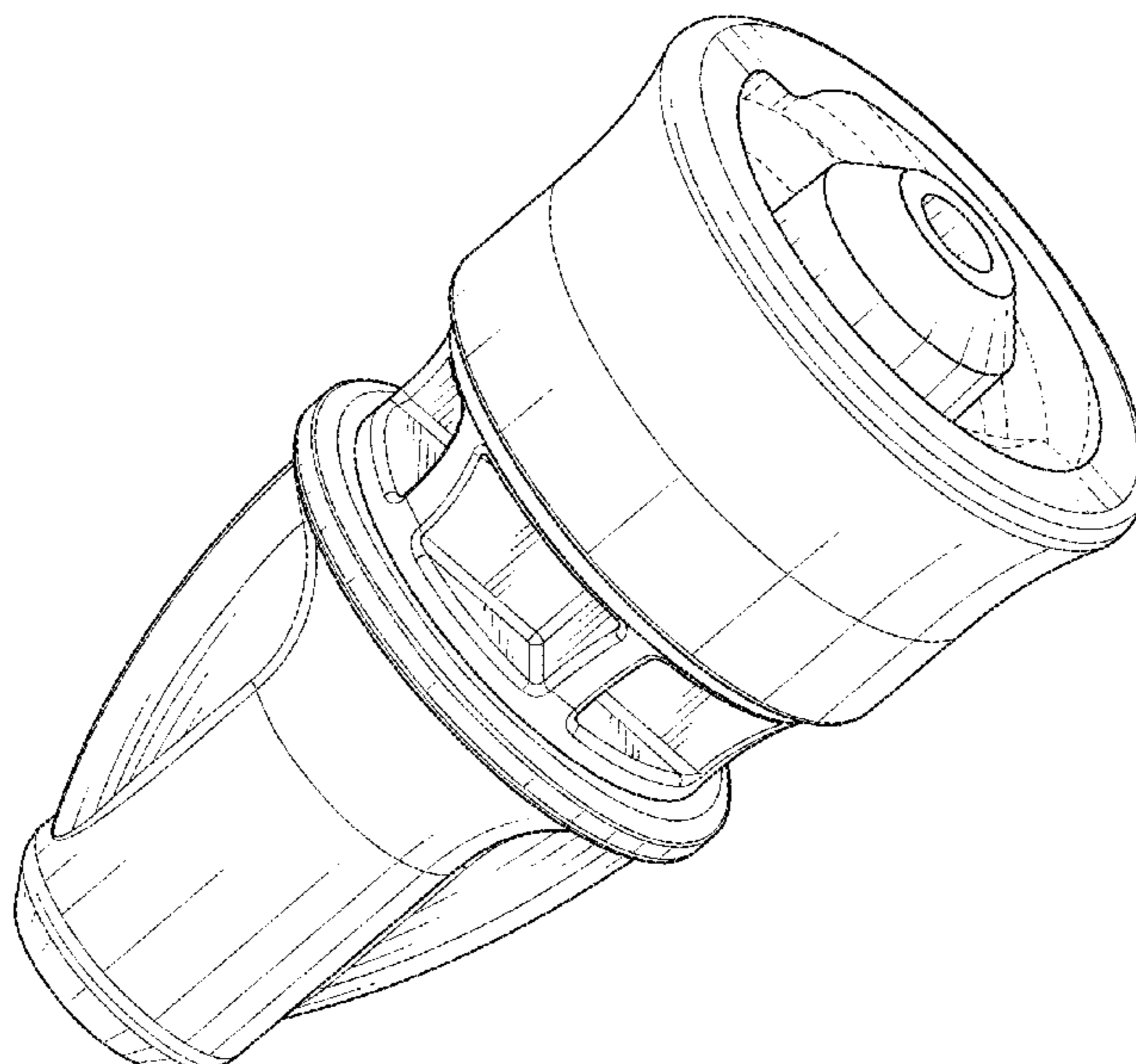
FIG. 5 is an elevational end view of the male component of enteral feeding connector taken from the left-hand side of FIG. 2;

FIG. 6 is a top view of the male component of enteral feeding connector of FIG. 2; and,

FIG. 7 is a bottom view of the male component of enteral feeding connector of FIG. 2.

The broken lines immediately adjacent the shaded areas represent the bounds of the claimed design, while all other broken lines are directed to portions of the article excluded from the claim. The broken line disclosure forms no part of the claimed design.

1 Claim, 6 Drawing Sheets



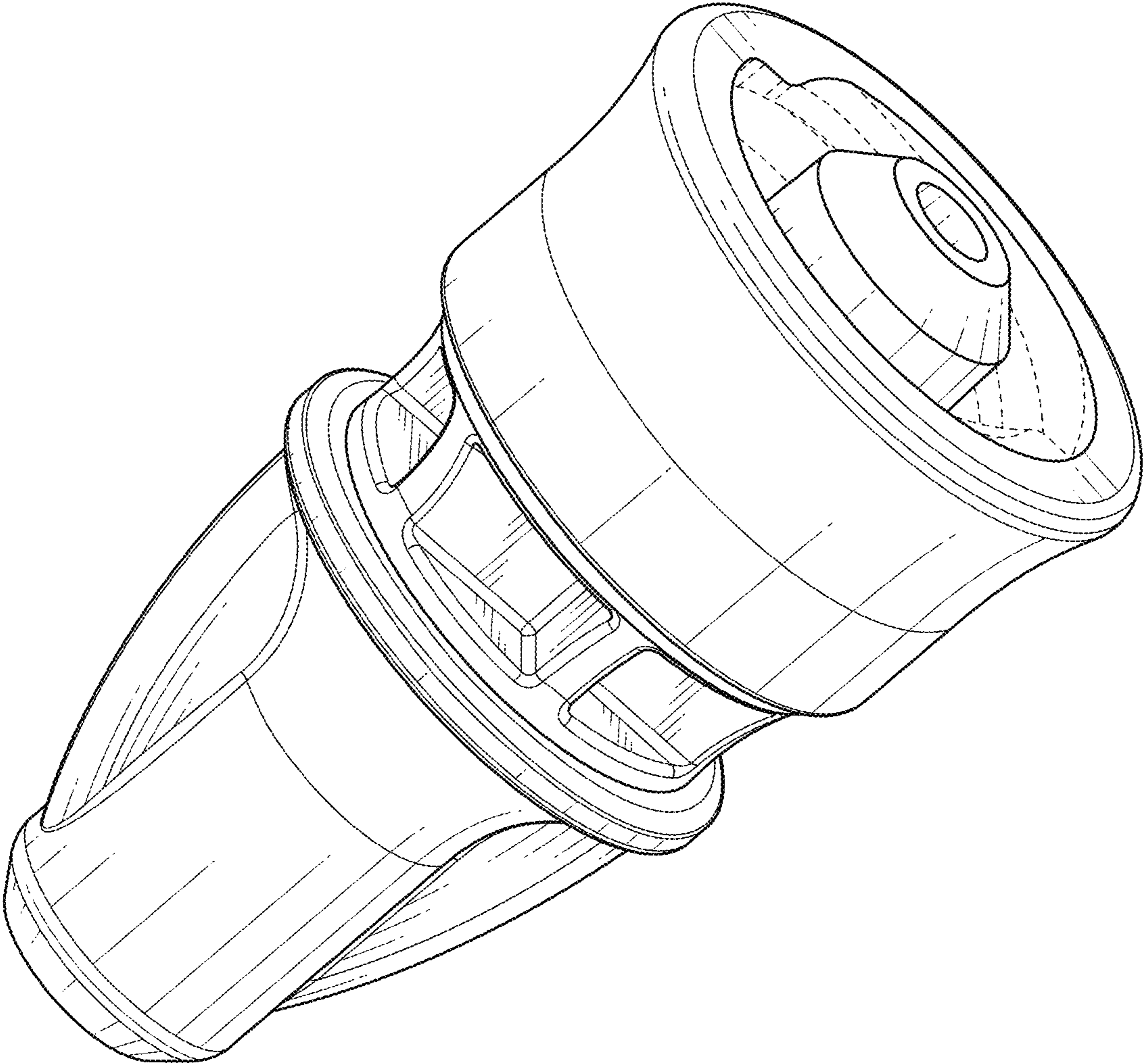


FIG. 1

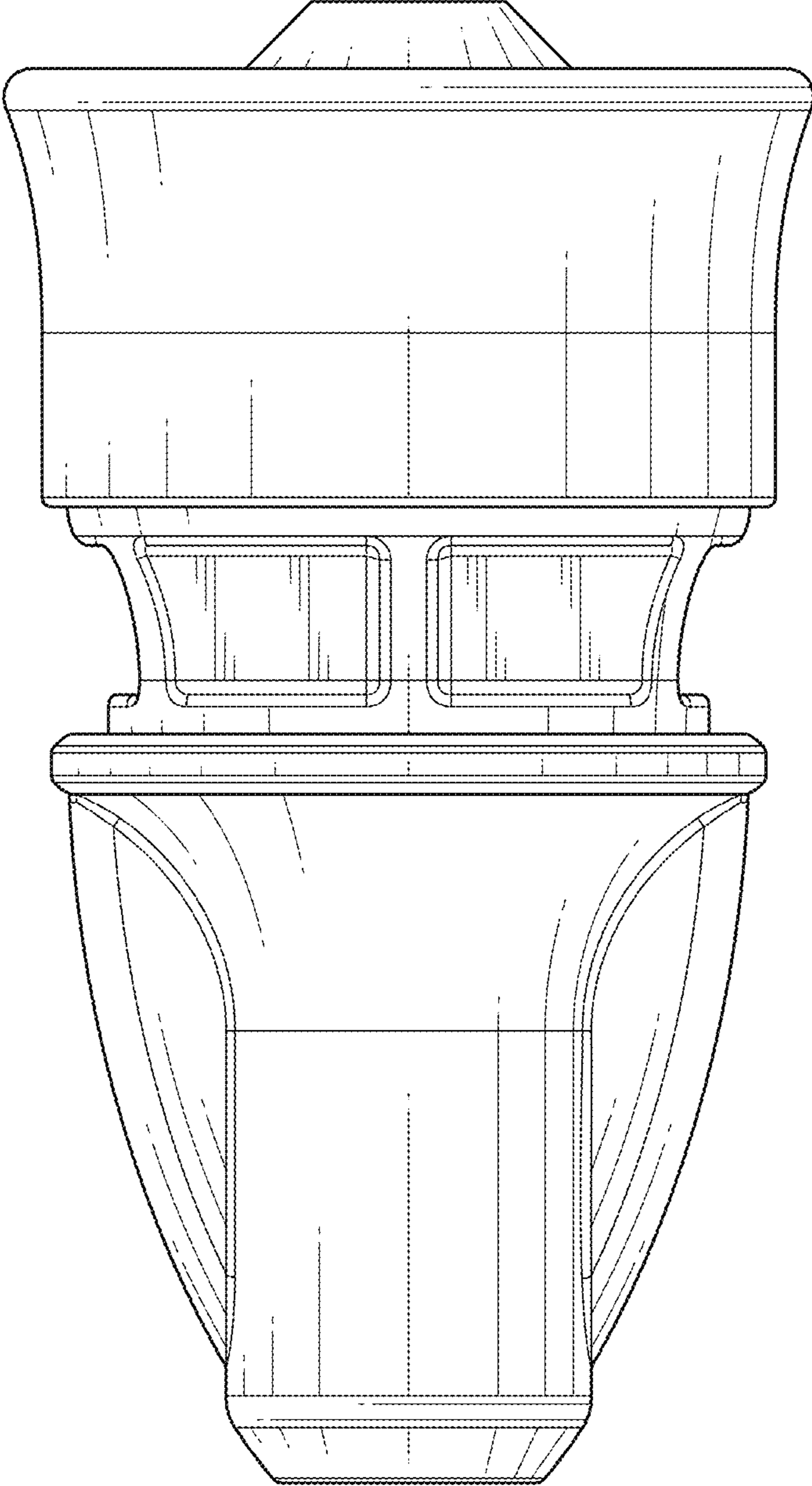


FIG. 2

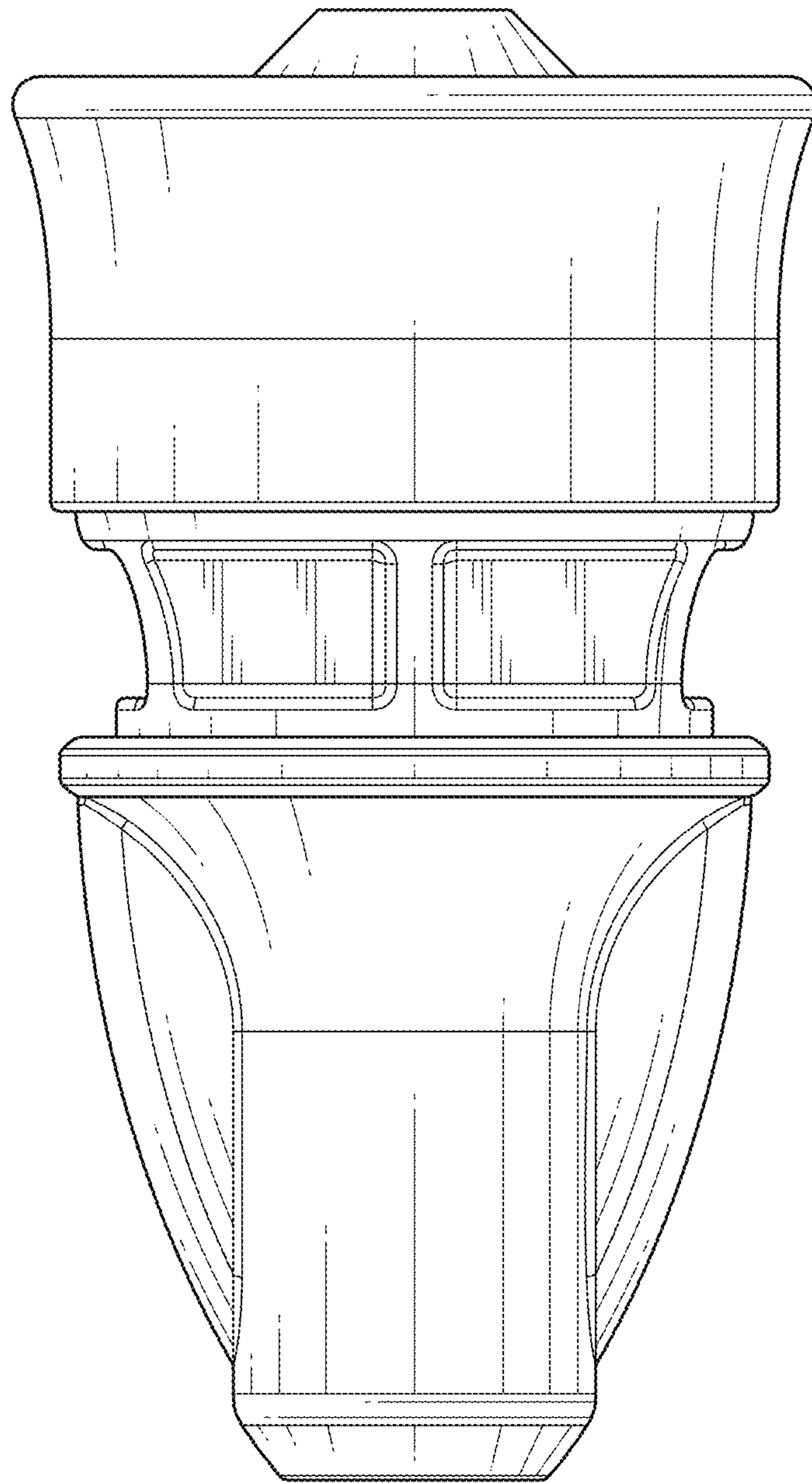


FIG. 3

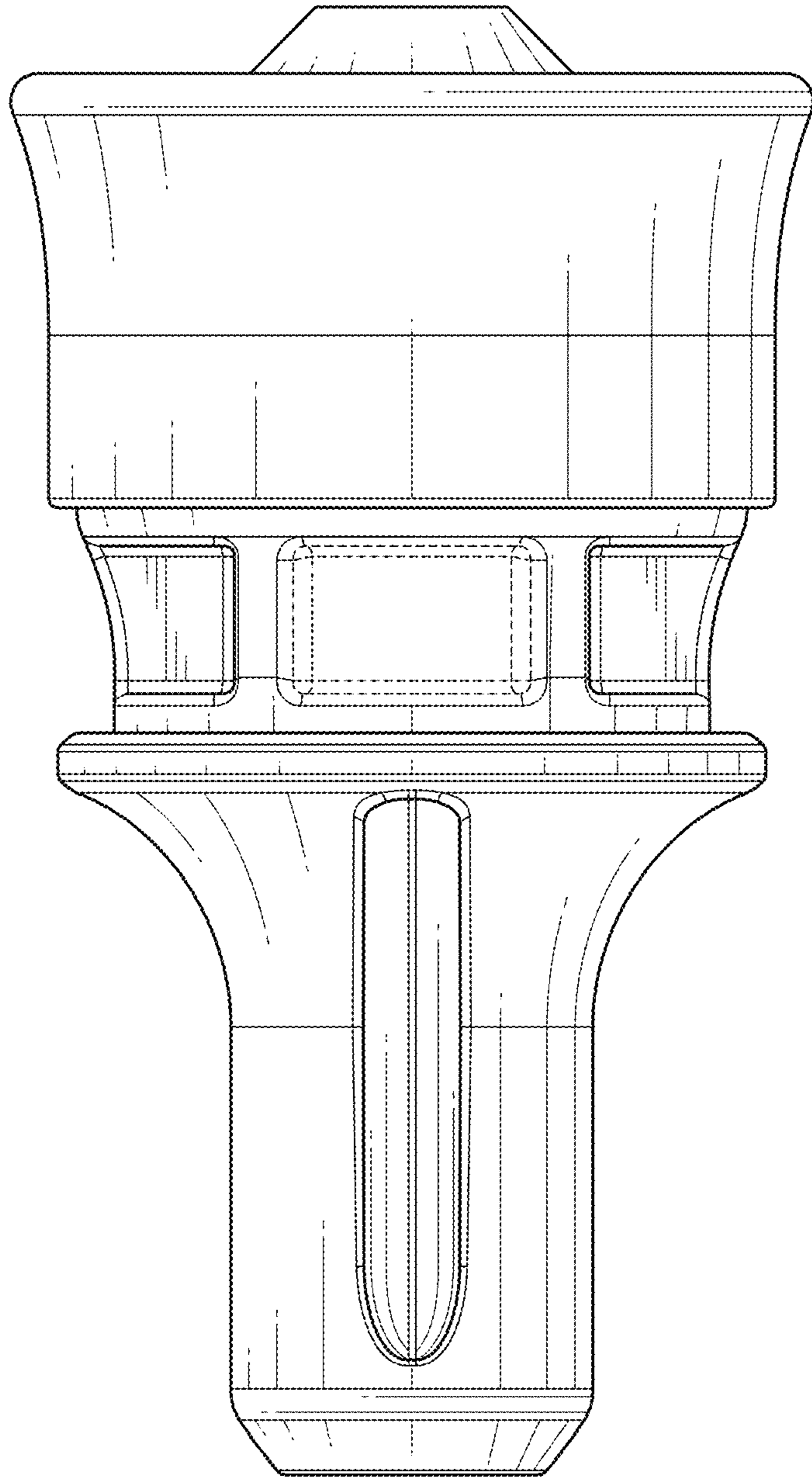


FIG. 4

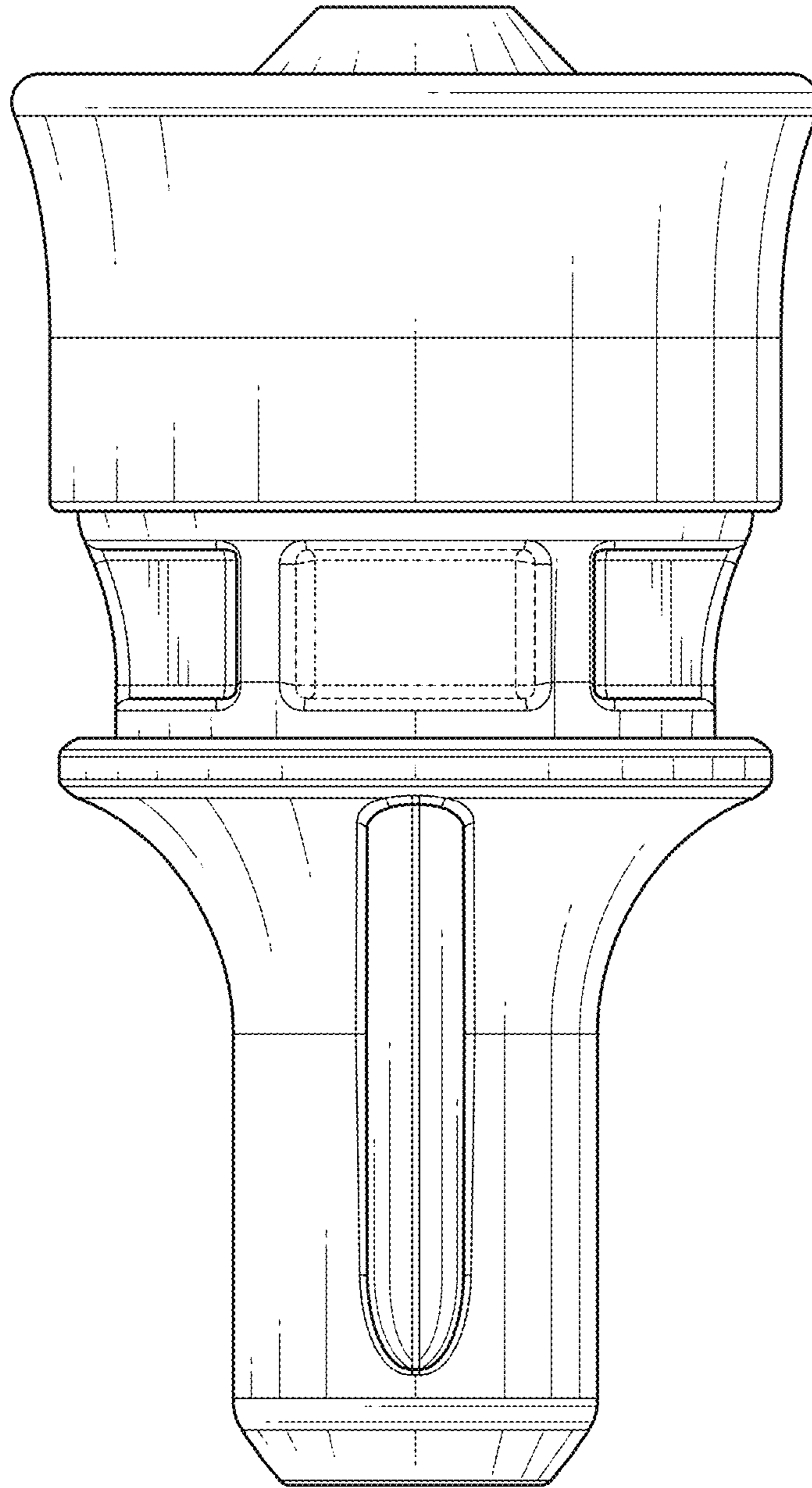


FIG. 5

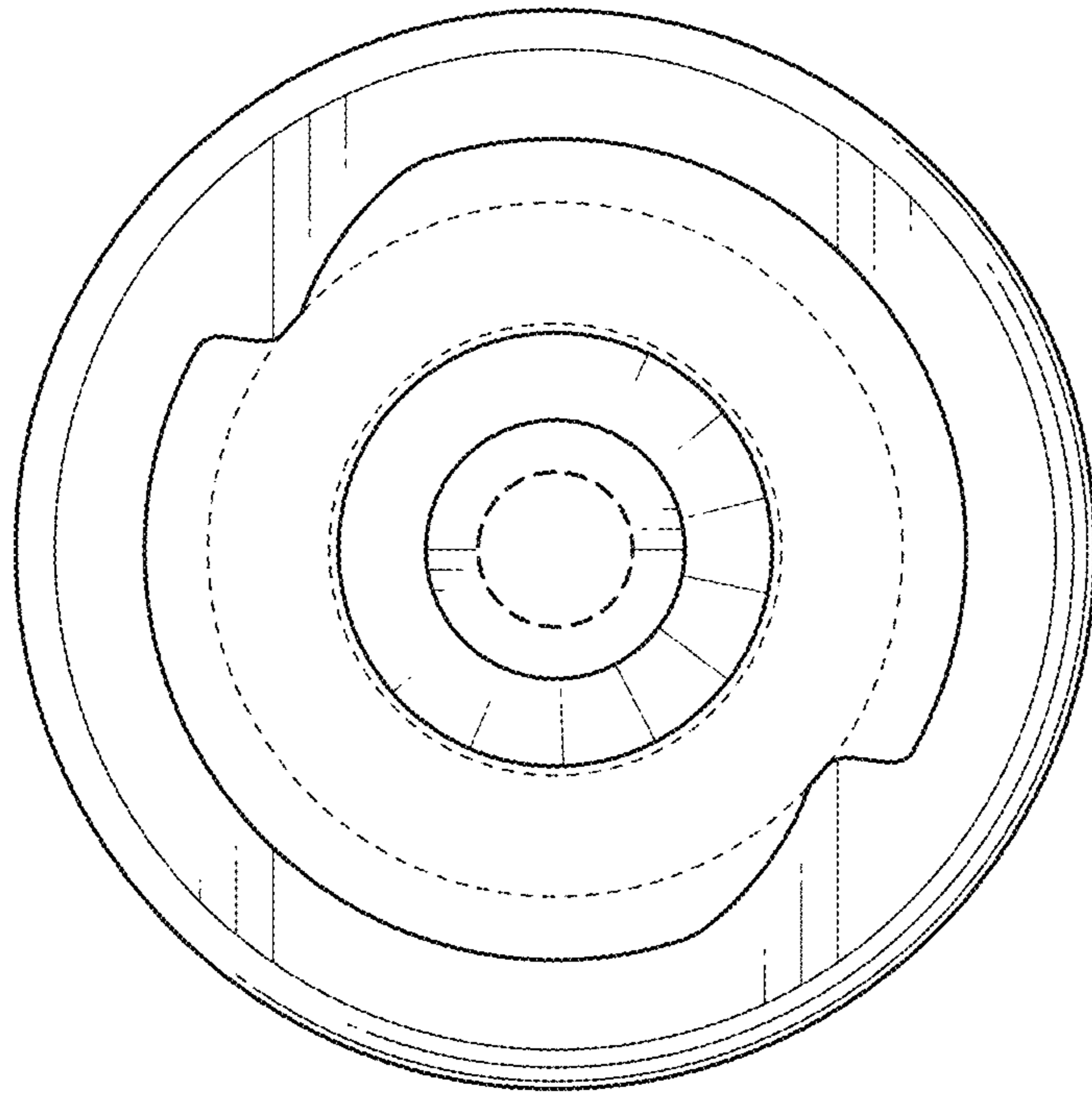


FIG. 6

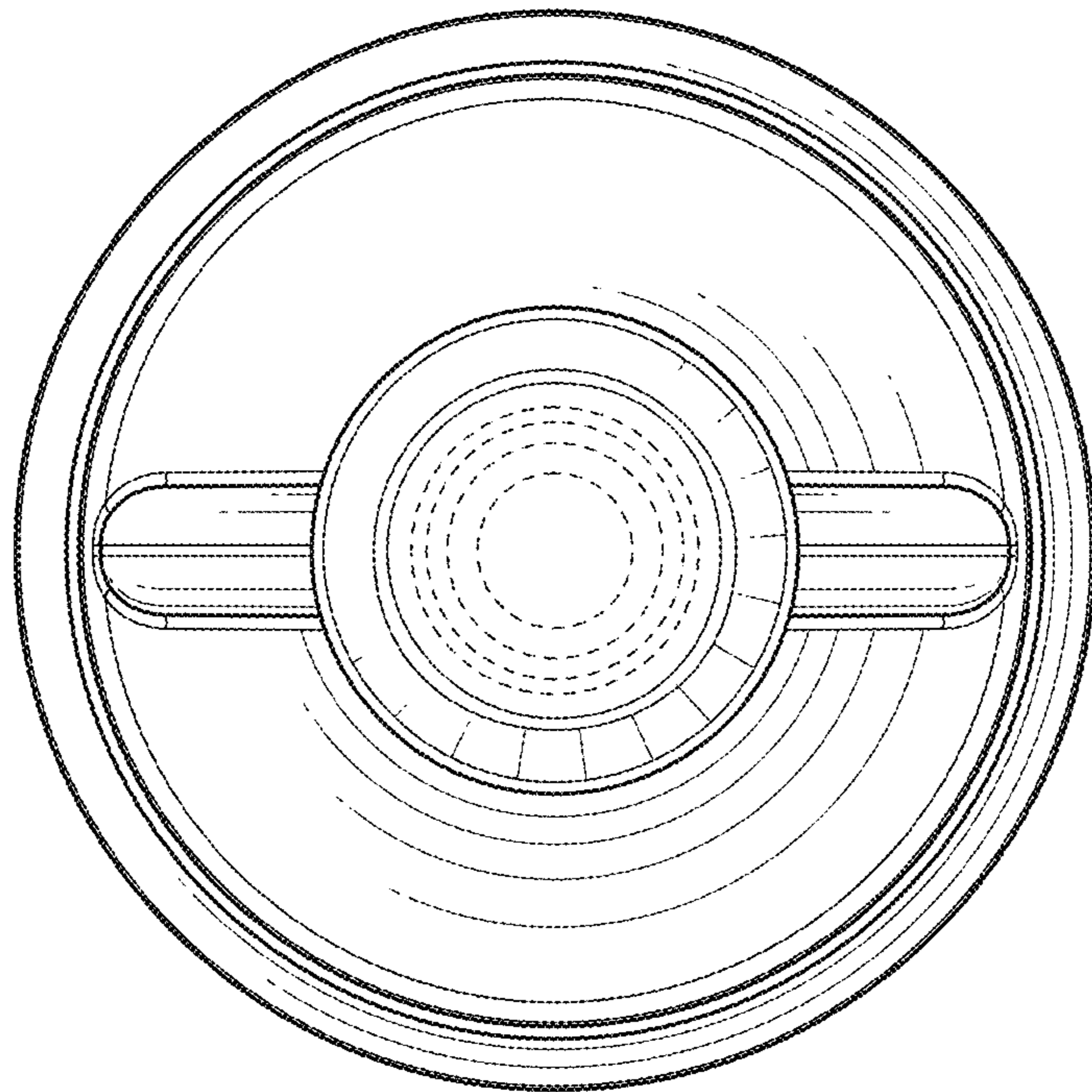


FIG. 7