



US00D799030S

(12) **United States Design Patent**
Sunderland

(10) **Patent No.:** **US D799,030 S**

(45) **Date of Patent:** **** Oct. 3, 2017**

(54) **MEDICAL PUMP BRACKET**

2010/0308191 A1* 12/2010 Rydzinski A61M 5/1415
248/224.8

(71) Applicant: **BIOMEDICAL INDUSTRY GROUP,**
Ottawa (CA)

* cited by examiner

(72) Inventor: **Mark Sunderland,** Ottawa (CA)

Primary Examiner — Richelle G Shelton

(73) Assignee: **BIOMEDICAL INDUSTRY GROUP**
INC., Ottawa (CA)

(74) *Attorney, Agent, or Firm* — The Law Office of
Michael E. Kondoudis

(**) Term: **15 Years**

(57) **CLAIM**

The ornamental design for a medical pump bracket, as
shown and described.

(21) Appl. No.: **29/537,179**

DESCRIPTION

(22) Filed: **Aug. 24, 2015**

(30) **Foreign Application Priority Data**

Feb. 23, 2015 (CA) 161043

(51) **LOC (10) Cl.** **24-02**

(52) **U.S. Cl.**
USPC **D24/128**

(58) **Field of Classification Search**
USPC D24/111, 127-129, 227; D8/355, 373,
D8/394

CPC A61M 5/1415; F16M 13/02
See application file for complete search history.

FIG. 1 is a front view of a first embodiment of the medical
pump bracket;

FIG. 2 is a rear view of the first embodiment of the medical
pump bracket of FIG. 1;

FIG. 3 is a top view of the first embodiment of the medical
pump bracket of FIG. 1;

FIG. 4 is a bottom view of the first embodiment of the
medical pump bracket of FIG. 1;

FIG. 5 is a left side view of the first embodiment of the
medical pump bracket of FIG. 1;

FIG. 6 is a right side view of the first embodiment of the
medical pump bracket of FIG. 1;

FIG. 7 is a front view of a second embodiment of the
medical pump bracket;

FIG. 8 is a rear view of the second embodiment of the
medical pump bracket of FIG. 7;

FIG. 9 is a top view of the second embodiment of the
medical pump bracket of FIG. 7;

FIG. 10 is a bottom view of second first embodiment of the
medical pump bracket of FIG. 7;

FIG. 11 is a left side view of the second embodiment of the
medical pump bracket of FIG. 7; and,

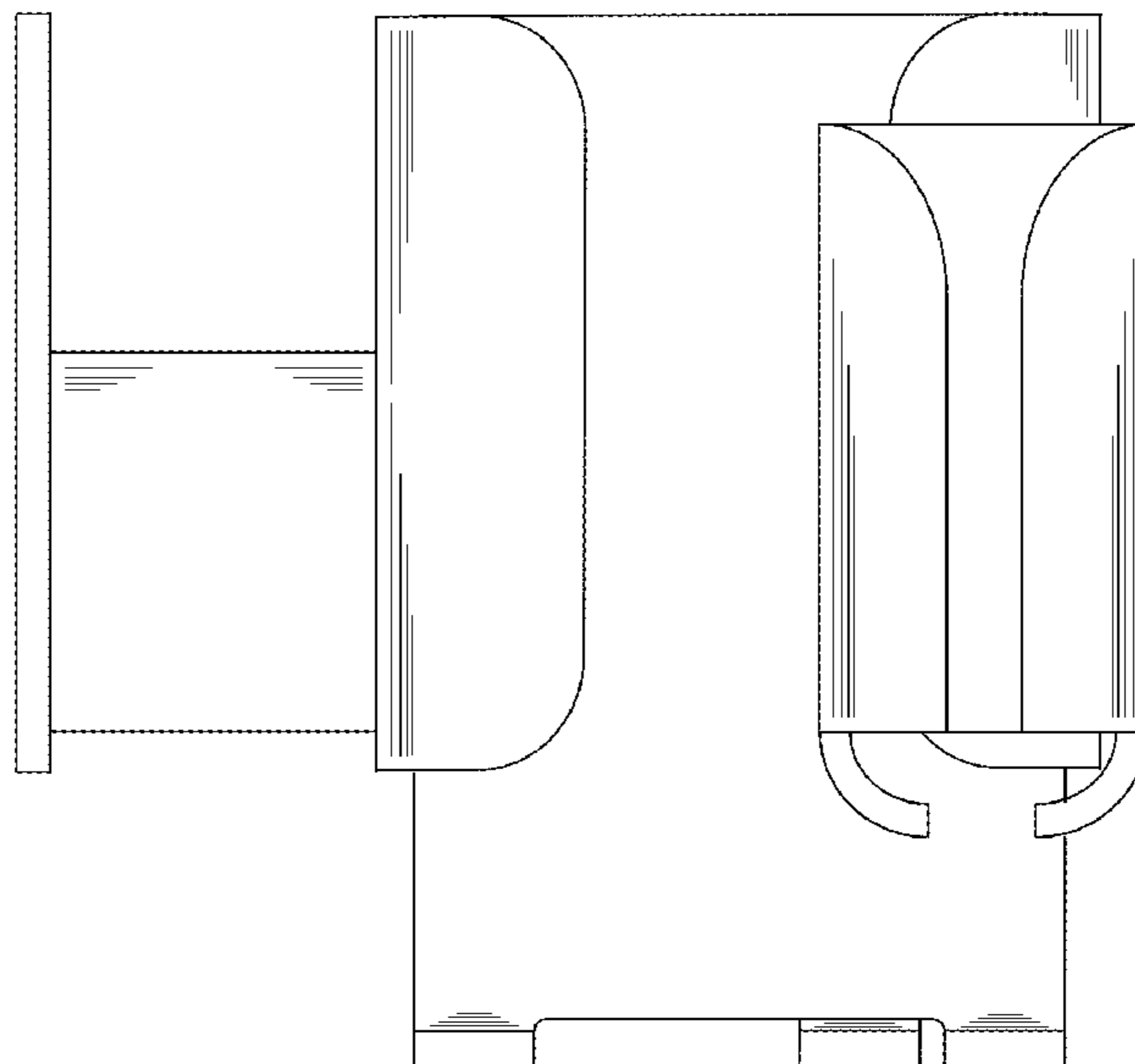
FIG. 12 is a right side view of the second embodiment of the
medical pump bracket of FIG. 7.

(56) **References Cited**

U.S. PATENT DOCUMENTS

5,236,162 A * 8/1993 Desjardins A61M 5/1415
248/214
D547,863 S * 7/2007 Heinsch D24/128
D549,089 S * 8/2007 Jun D8/394
D592,304 S * 5/2009 Kuehfuss D24/128
D716,443 S * 10/2014 Marguerie D24/128
D742,208 S * 11/2015 Charette D8/373
D761,099 S * 7/2016 Seo D8/394

1 Claim, 12 Drawing Sheets



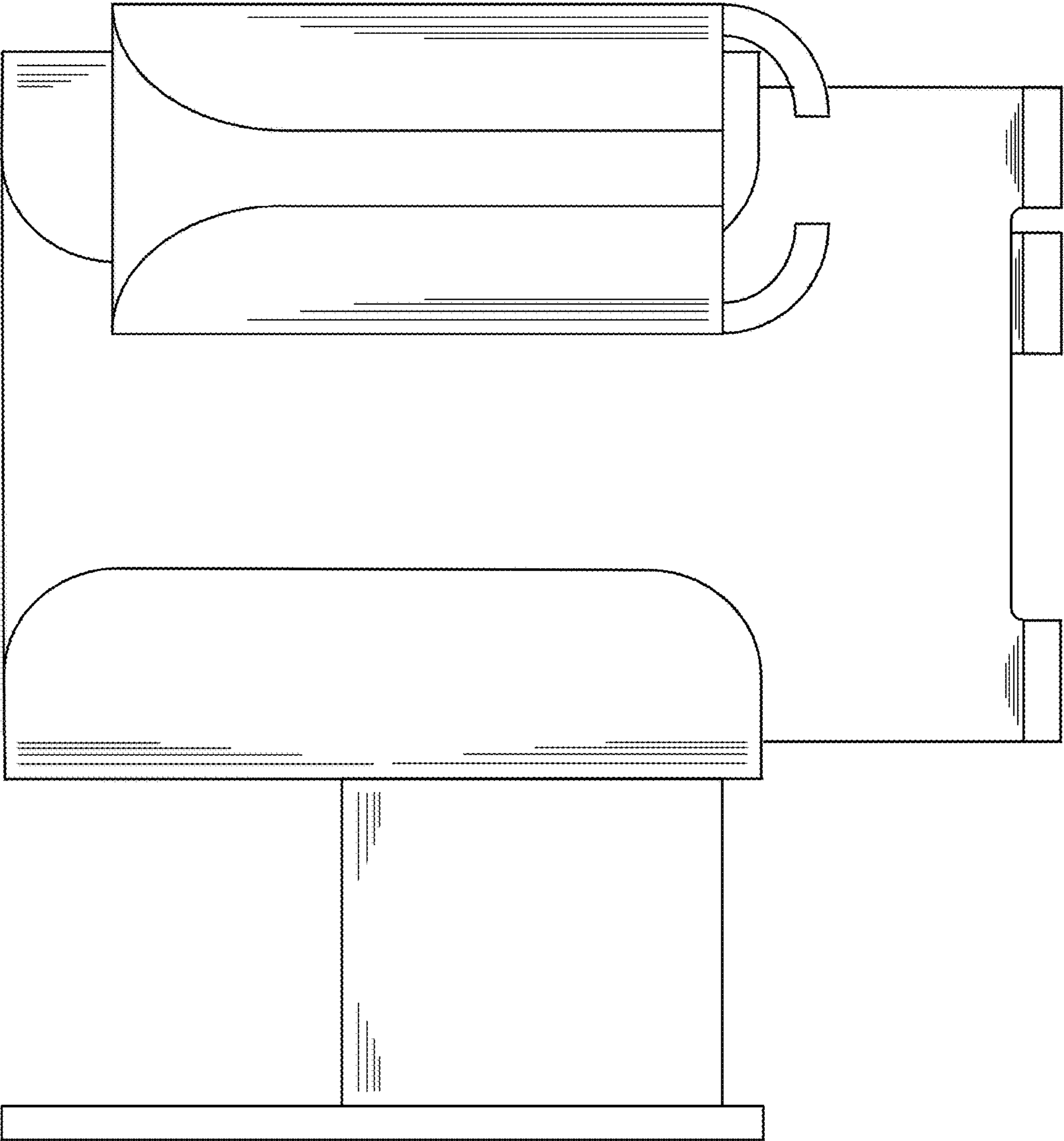


FIG. 1

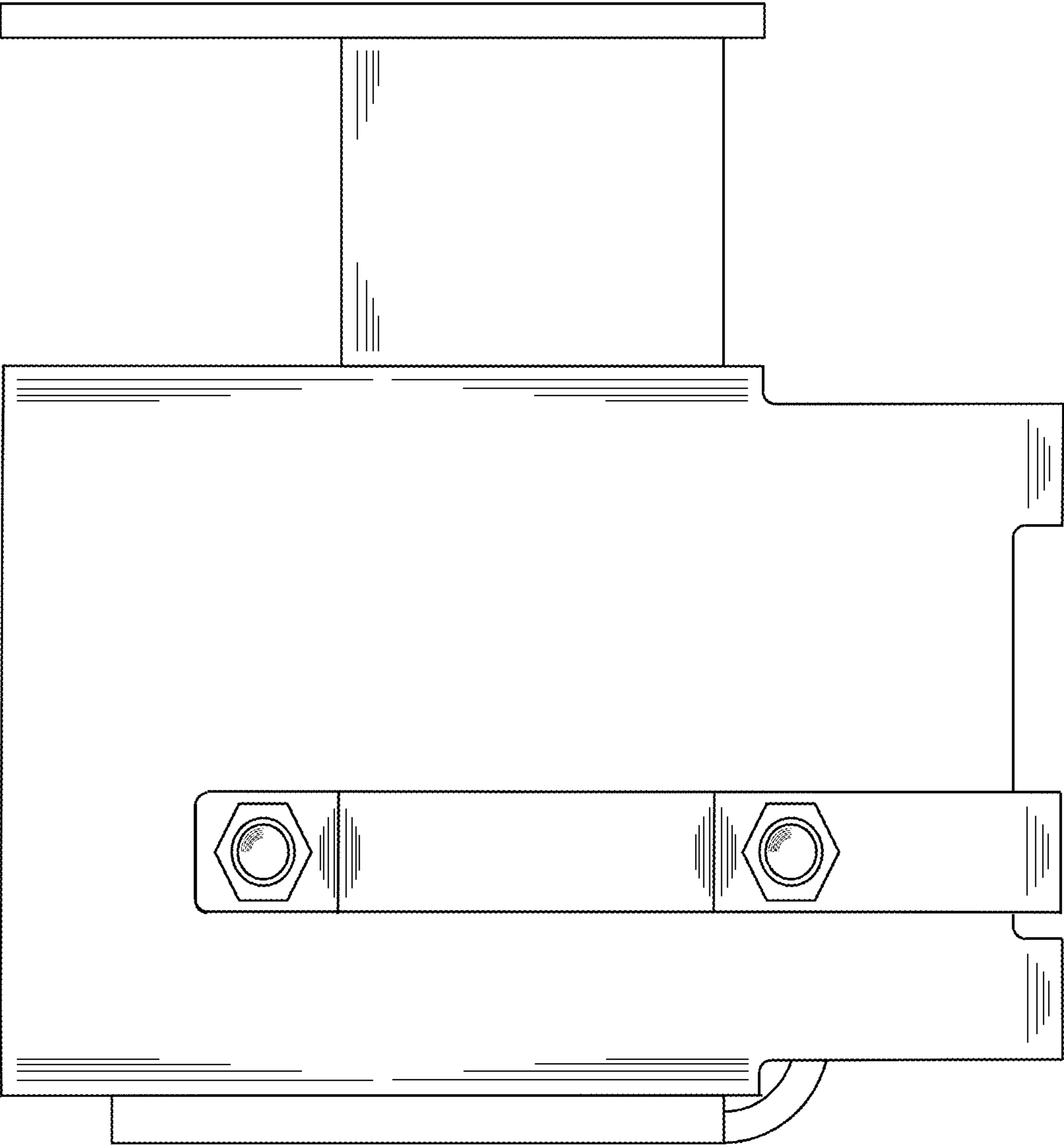


FIG. 2

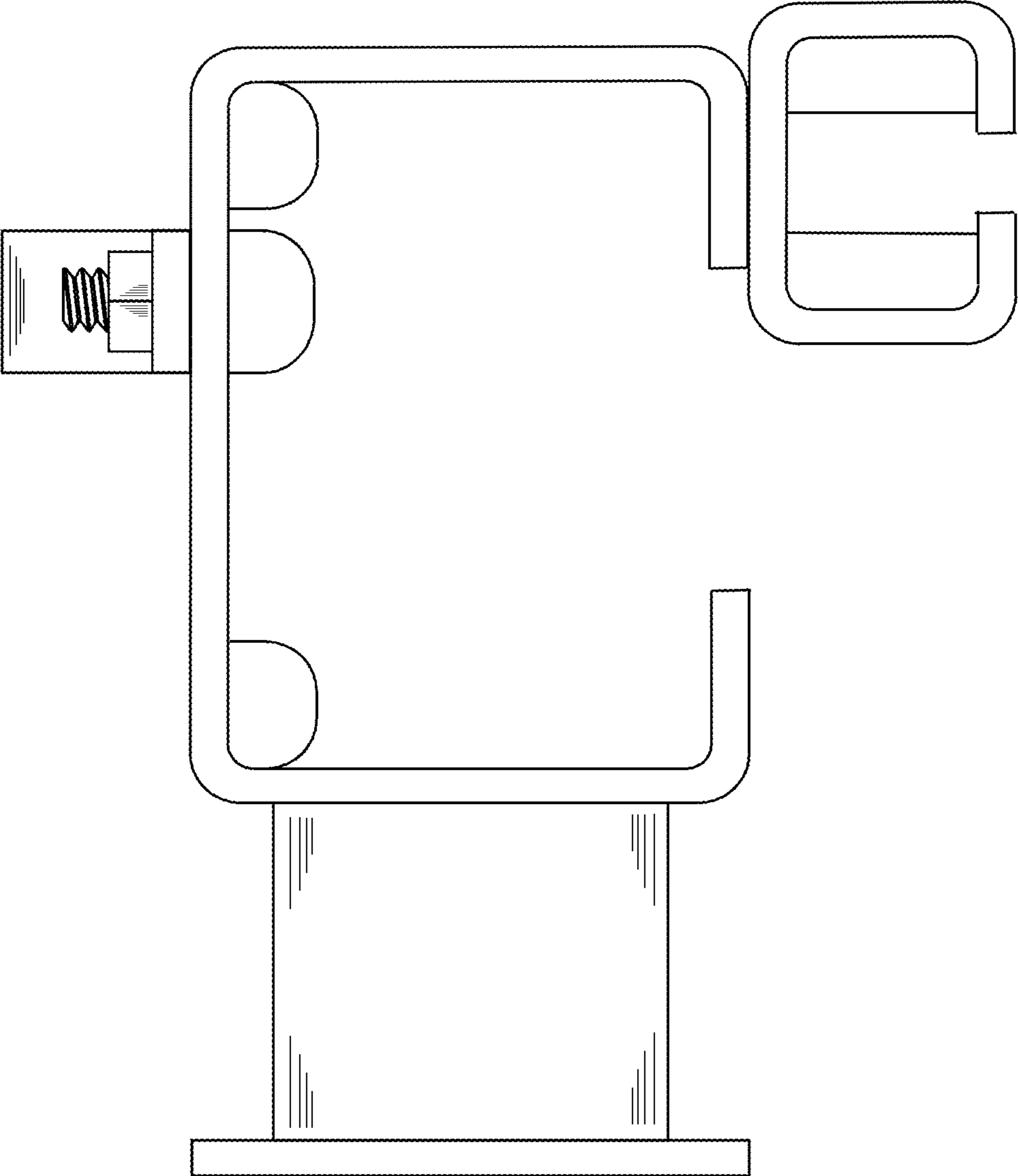


FIG. 3

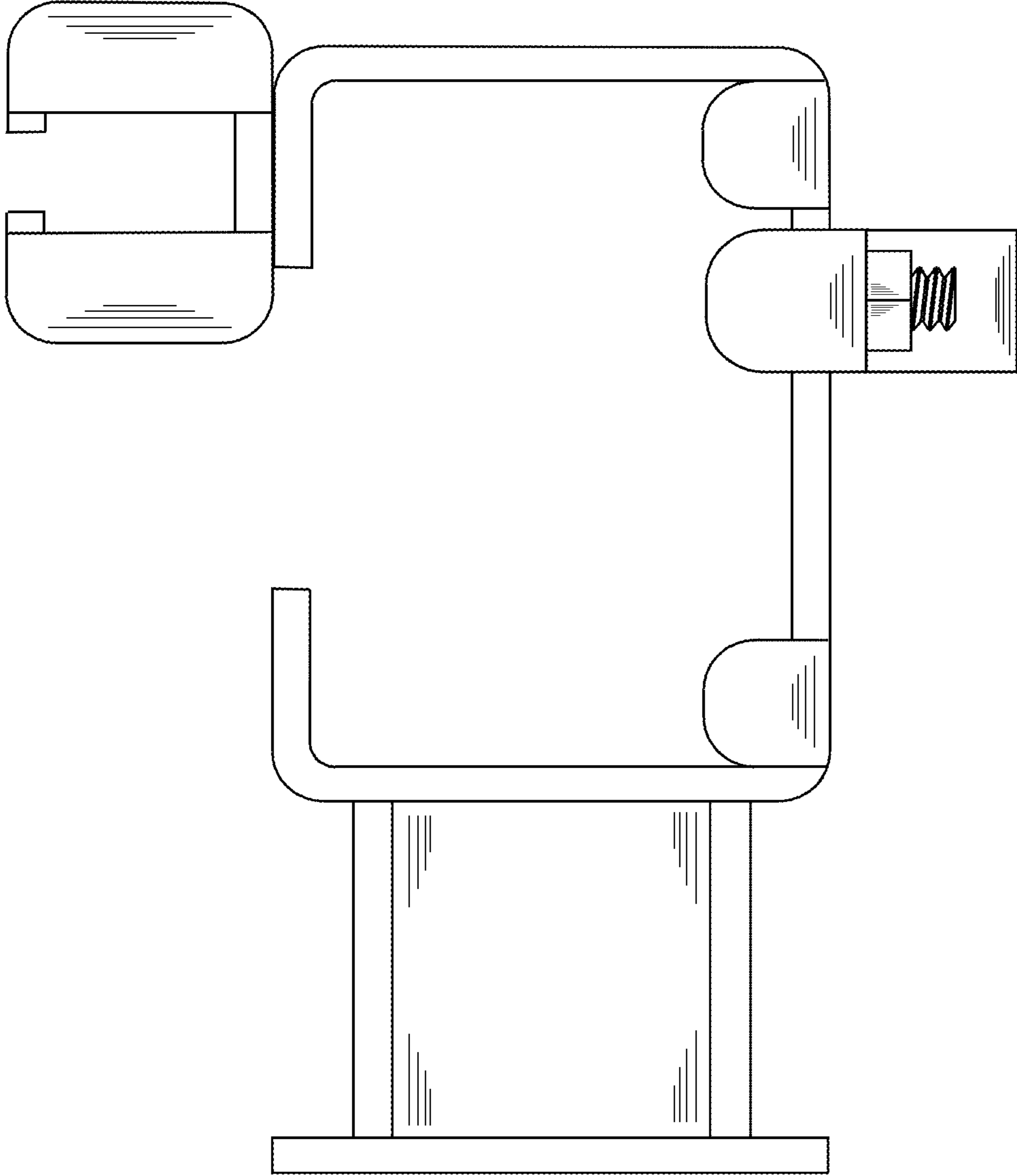


FIG. 4

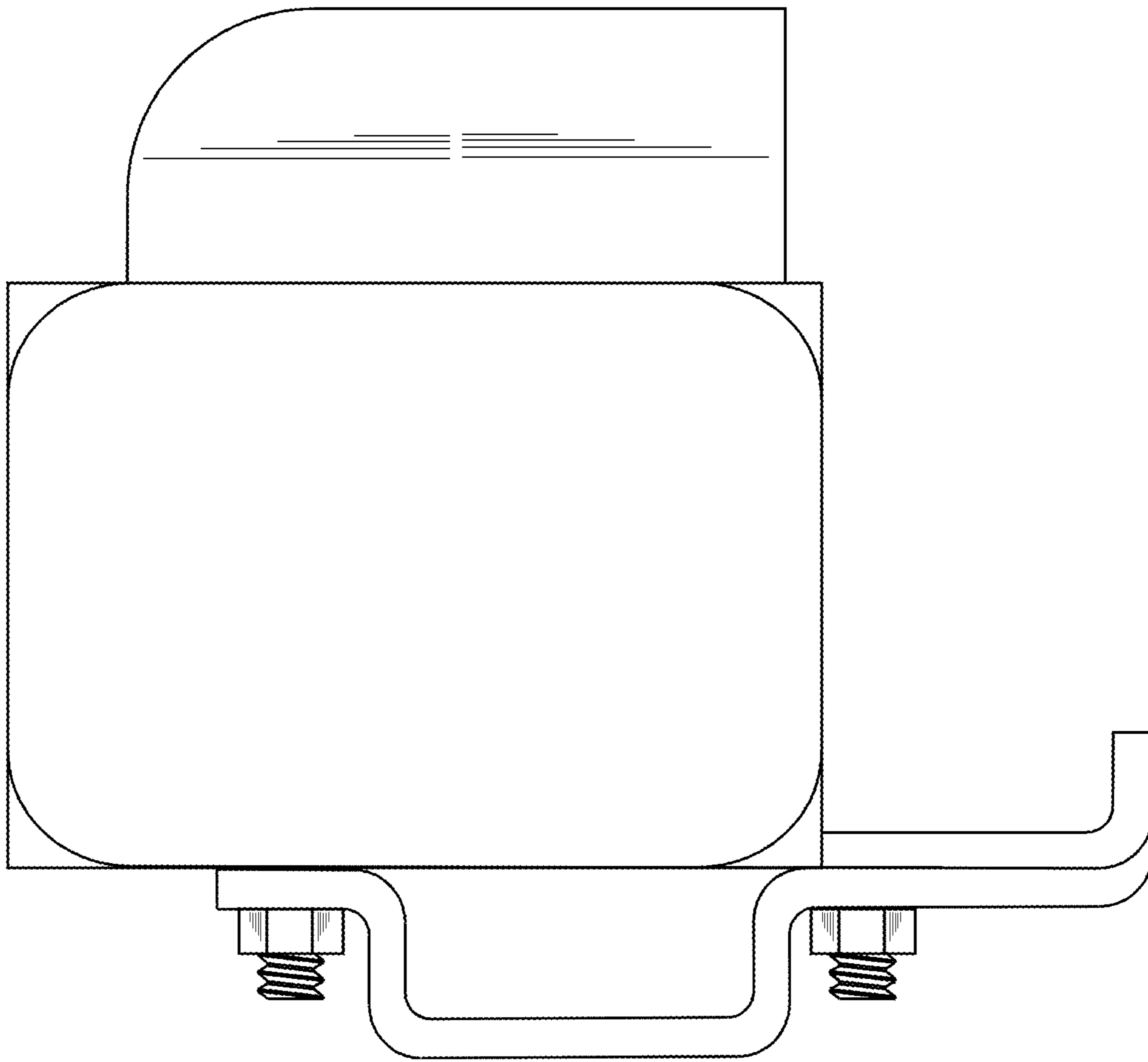


FIG. 5

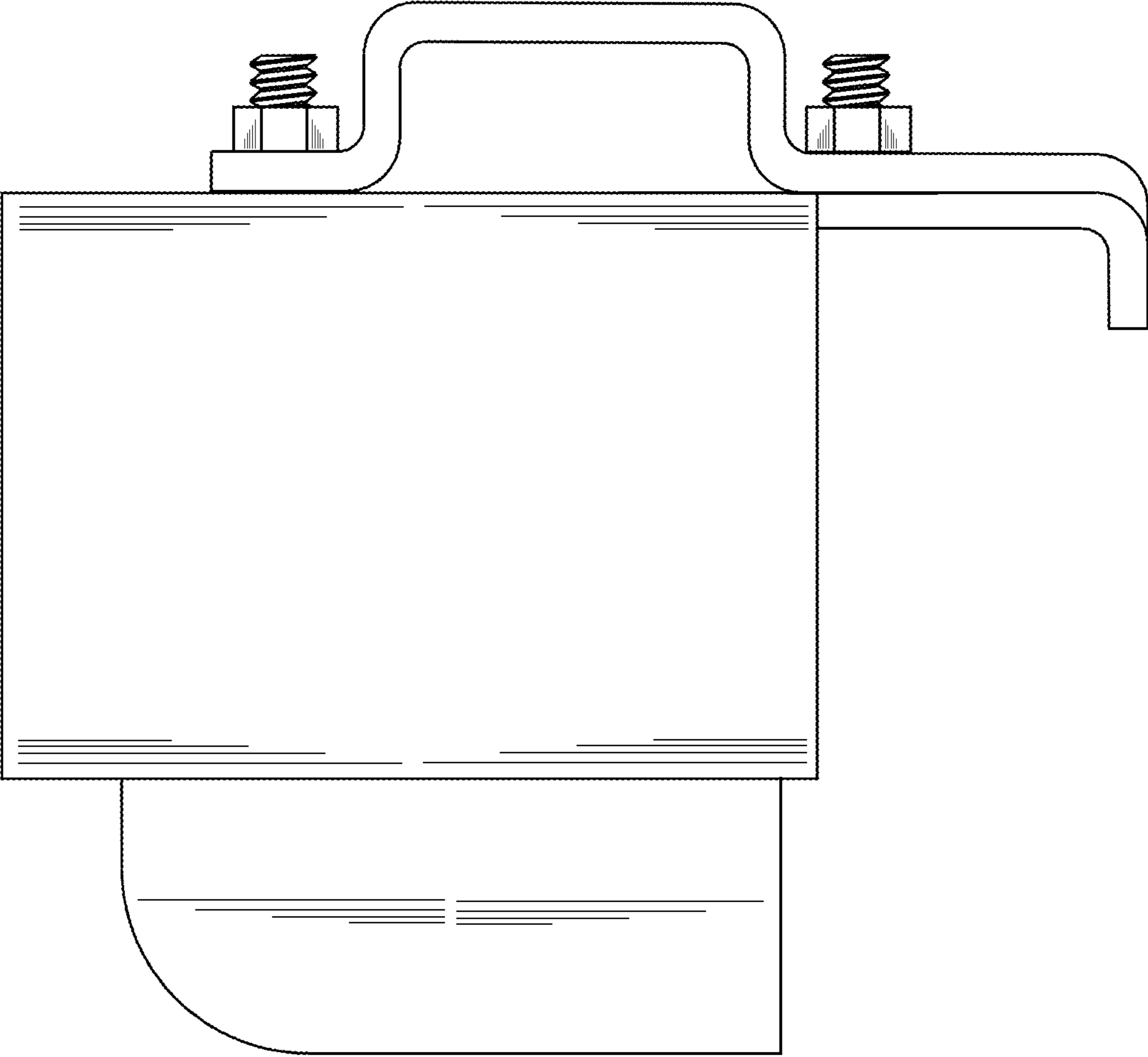


FIG. 6

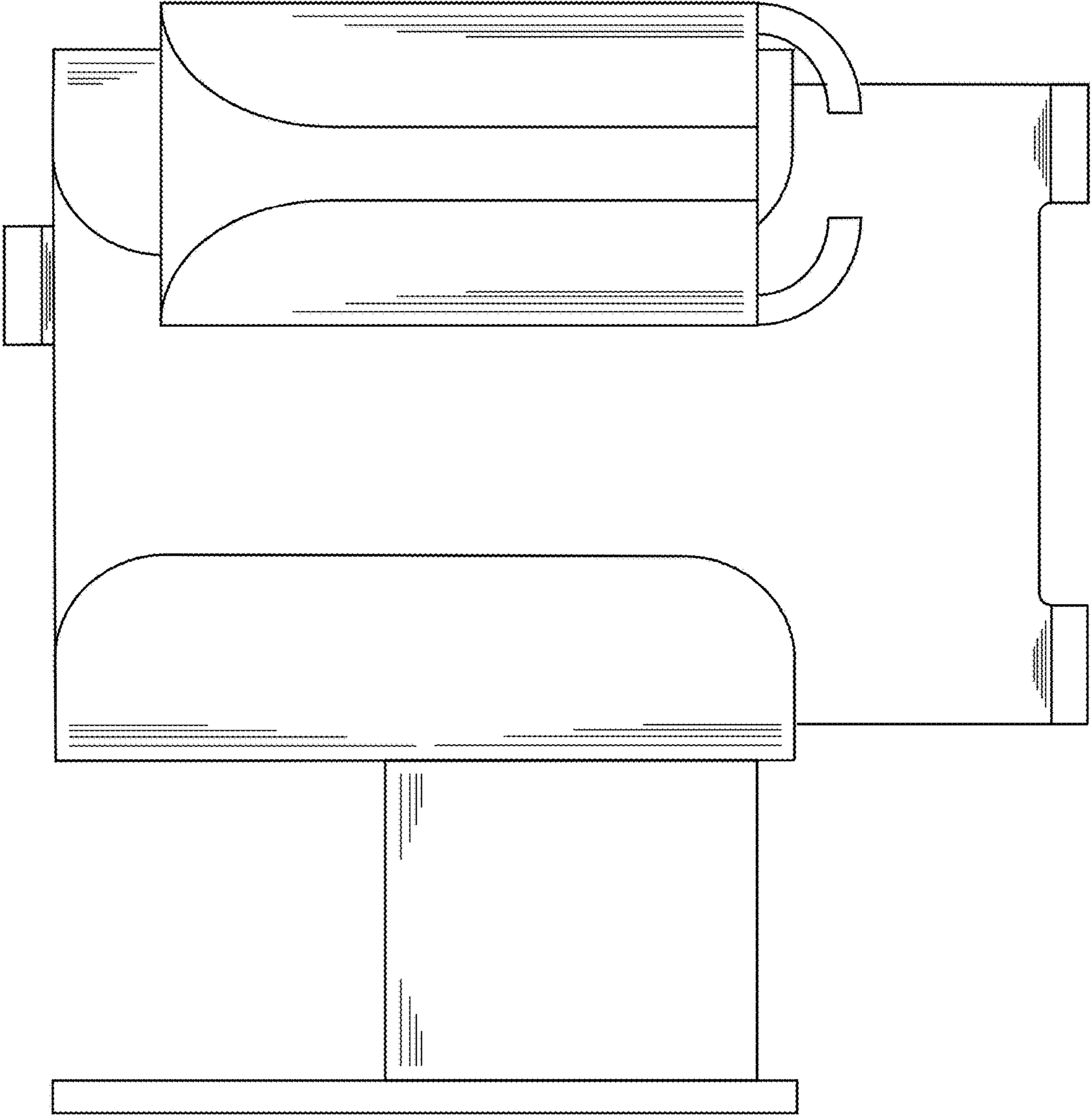


FIG. 7

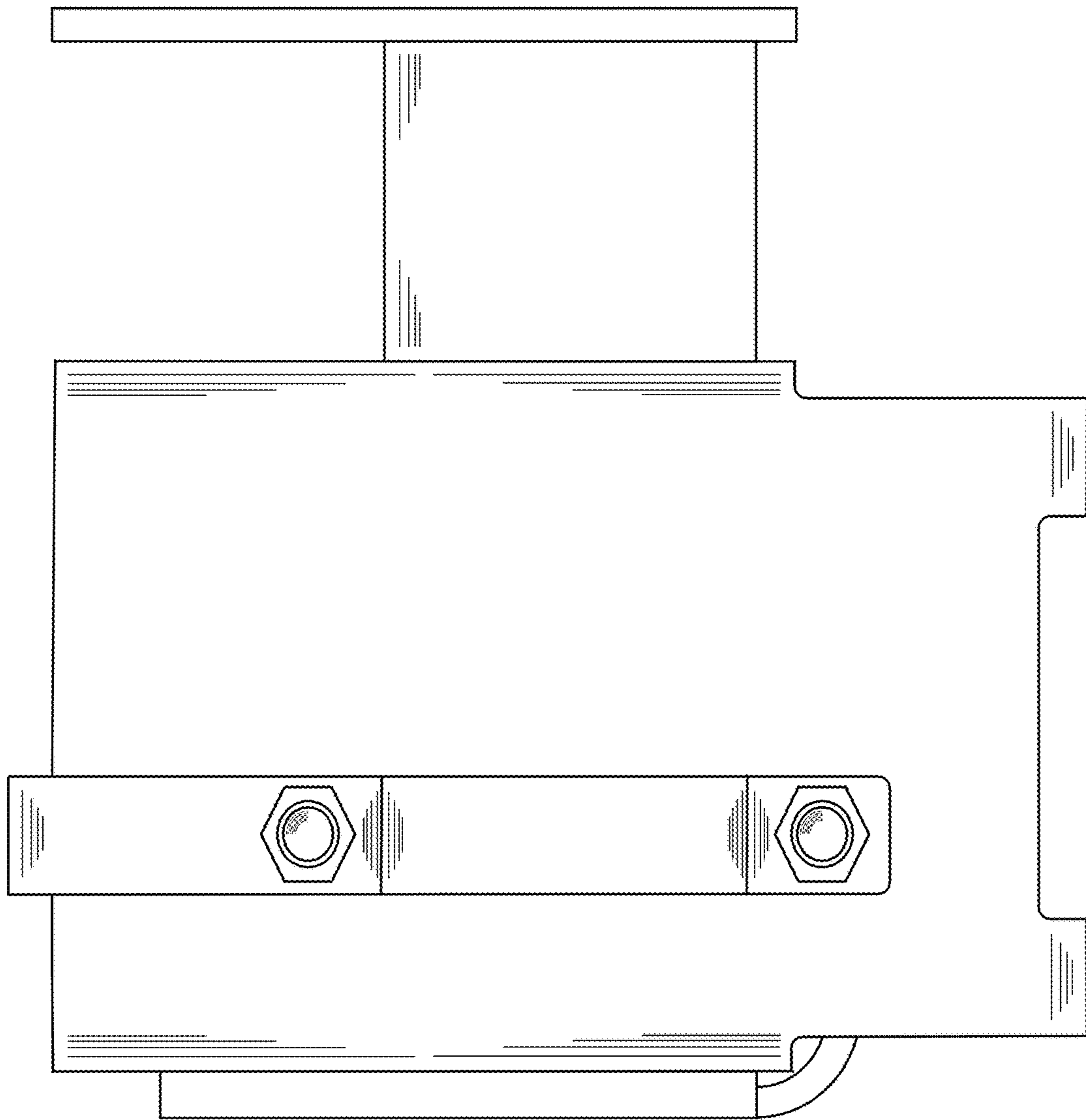


FIG. 8

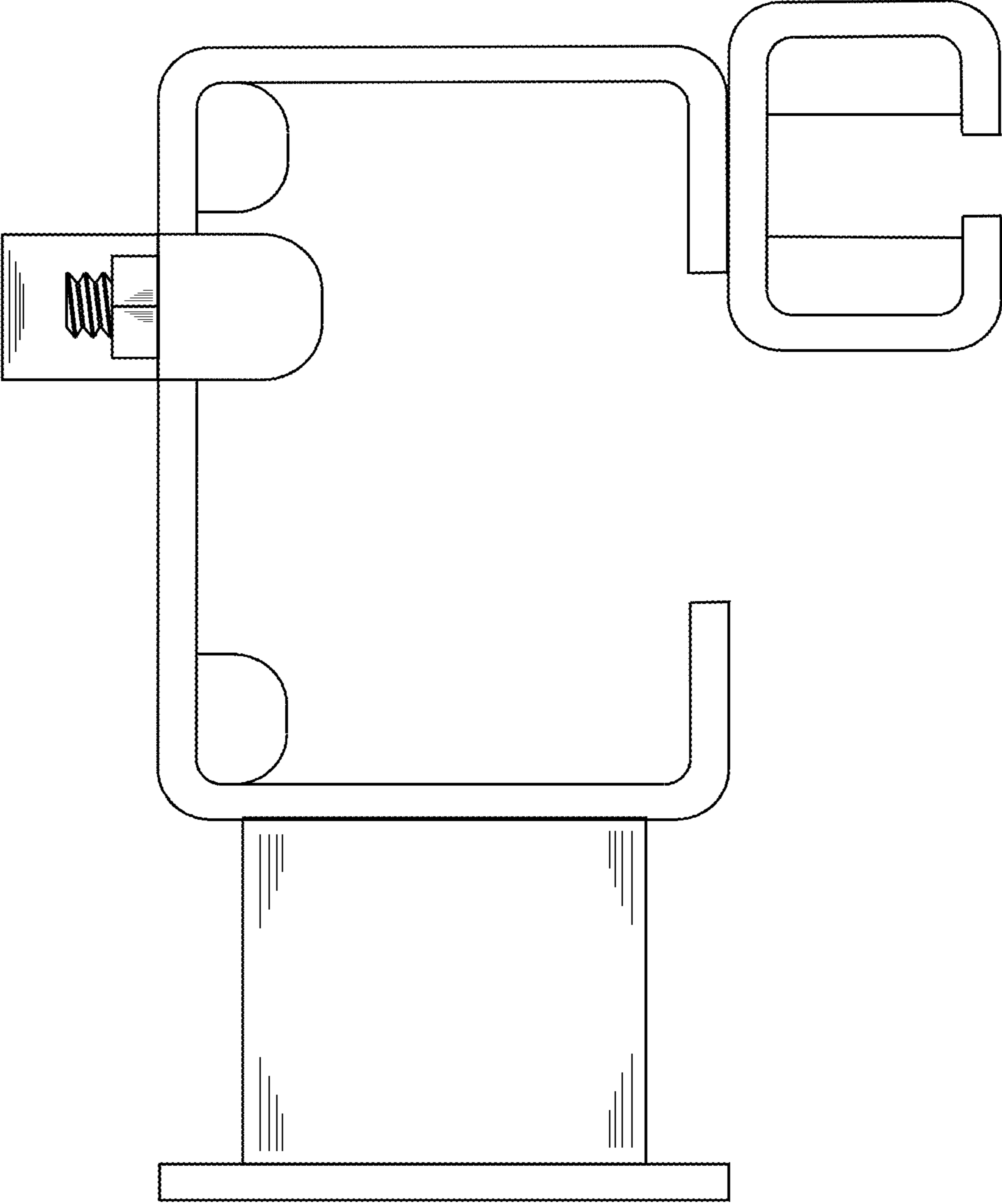


FIG. 9

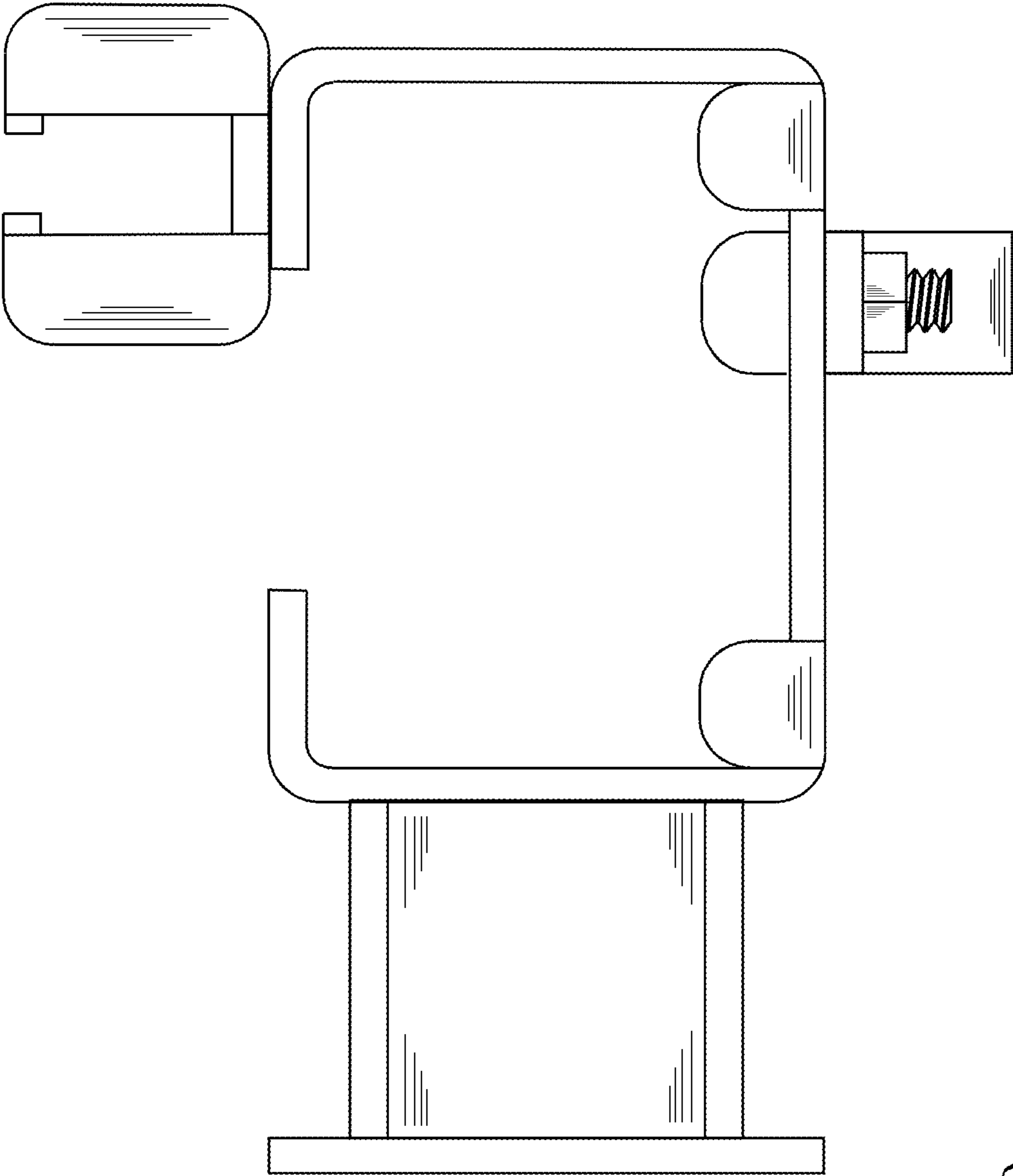


FIG. 10

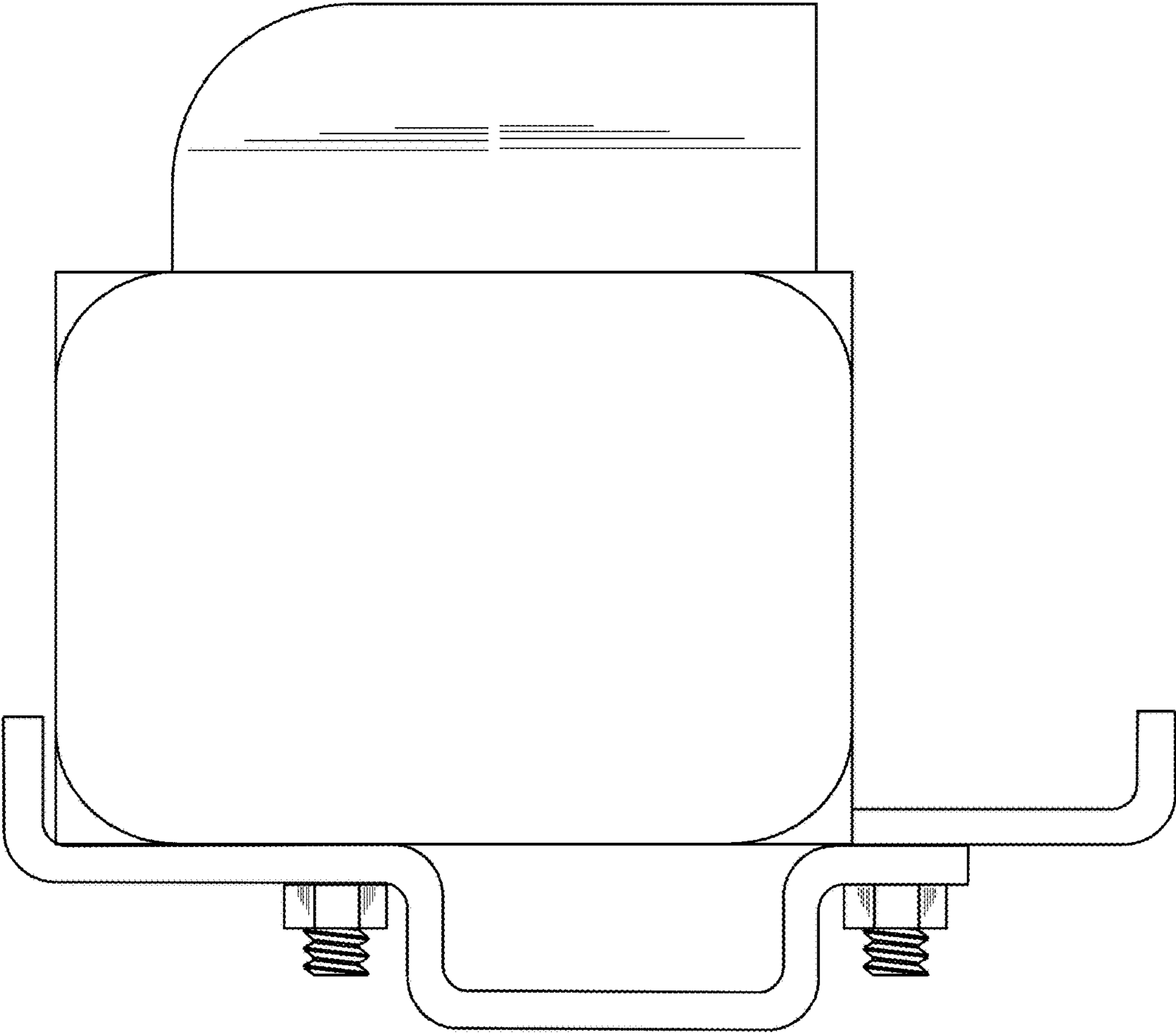


FIG. 11

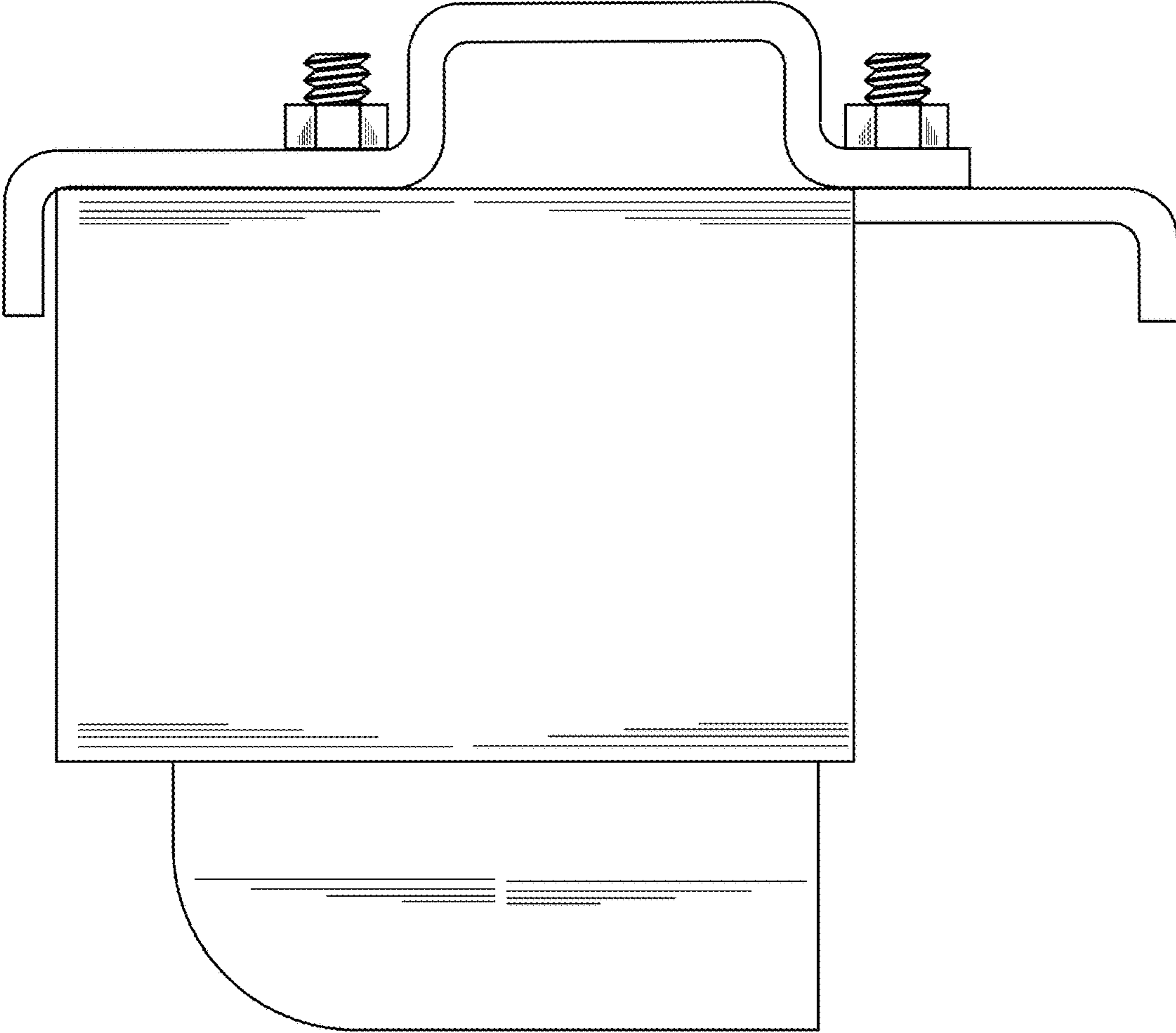


FIG. 12