

US00D799027S

(12) **United States Design Patent** (10) **Patent No.:** **US D799,027 S**  
**Mueller et al.** (45) **Date of Patent:** **\*\* Oct. 3, 2017**

(54) **MODULAR FILLING STATION FOR FILLING SYRINGES**

(71) Applicant: **Coltene/Whaledent GmbH & Co. KG**,  
Langenau (DE)

(72) Inventors: **Barbara Mueller**, Langenau (DE);  
**Martin Schlueter**, Wangen (DE);  
**Johannes Wolfert**, Langweid (DE);  
**Werner Mannschedel**, Langenau (DE)

(73) Assignee: **Coltene/Whaledent GmbH & Co. KG**,  
Langenau (DE)

(\*\*) Term: **15 Years**

(21) Appl. No.: **29/553,059**

(22) Filed: **Jan. 28, 2016**

(51) **LOC (10) Cl.** ..... **24-02**

(52) **U.S. Cl.**  
USPC ..... **D24/121**

(58) **Field of Classification Search**  
USPC ..... D24/121, 123, 224; 604/317-325;  
141/27, 320, 322

(Continued)

(56) **References Cited**

**U.S. PATENT DOCUMENTS**

3,840,011 A *	10/1974	Wright	.....	A61M 5/1782
				141/376
6,056,135 A *	5/2000	Widman	.....	A61J 1/18
				215/247

(Continued)

**FOREIGN PATENT DOCUMENTS**

DE	202012007582	11/2013
DE	102013012353	3/2014

*Primary Examiner* — David Muller

(74) *Attorney, Agent, or Firm* — John H. Thomas, P.C.

(57) **CLAIM**

The ornamental design for a dispenser head for a modular filling station for filling a syringe, as shown and described.

**DESCRIPTION**

FIG. 1 is a top front perspective view of the dispenser head of the modular filling station of the invention.

FIG. 2 is a top rear perspective view of the dispenser head of the modular filling station.

FIG. 3 is a left side view of the dispenser head of the modular filling station.

FIG. 4 is a top view of the dispenser head of the modular filling station.

FIG. 5 is a bottom view of the dispenser head of the modular filling station.

FIG. 6 is a right side view of the dispenser head of the modular filling station.

FIG. 7 is a front view of the dispenser head of the modular filling station.

FIG. 8 is a rear view of the dispenser head of the modular filling station.

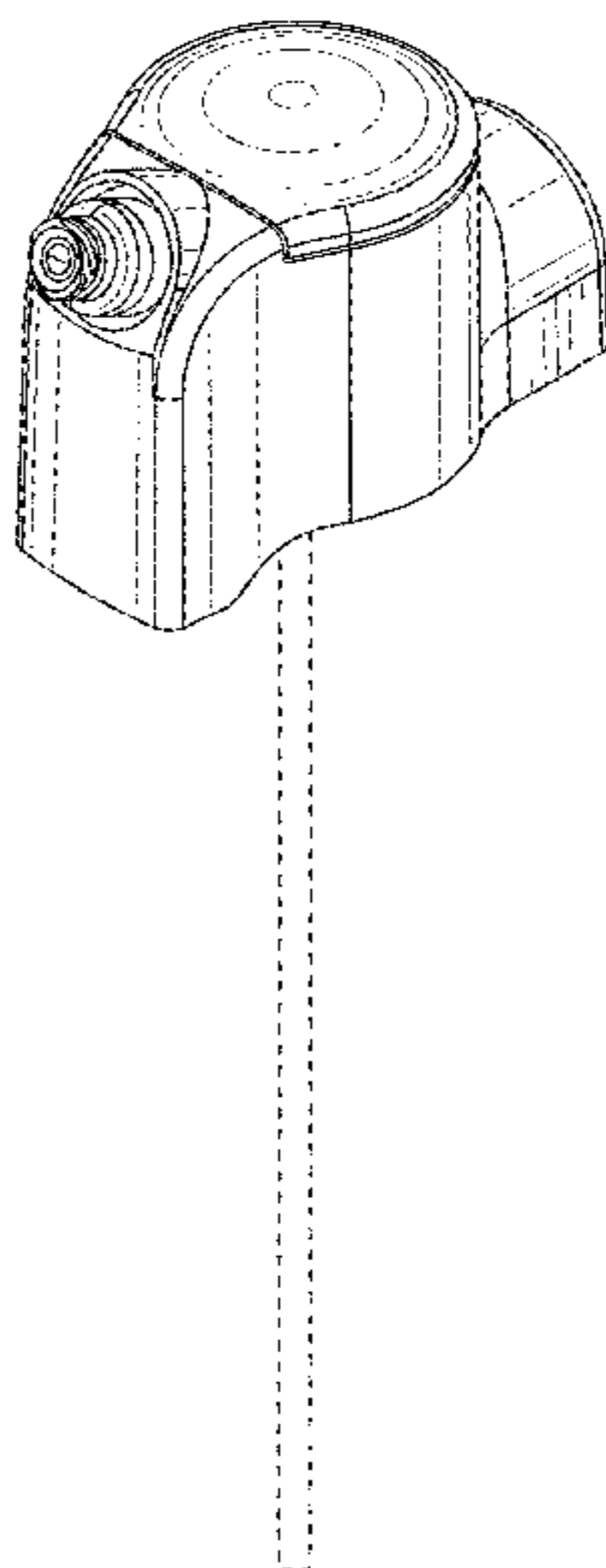
FIG. 9 is a bottom rear perspective view of the dispenser head of the modular filling station; and,

FIG. 10 is a bottom front perspective view of the dispenser head of the modular filling station.

The dashed lines in FIGS. 1, 2, 3, 6, 7, 8, 9, 10 represent a dip tube and form no part of the claimed design. The dashed lines inside the cap in FIGS. 5, 9 and 10 represent the form and depth inside the cap and form no part of the claimed design.

The claimed dispenser head for a modular filling station is for use in filling a syringe, in particular in dental applications. The modular filling station includes a dispenser head and bottle holder, which can be used in combination with any suitable bottle or container containing, e.g., an irrigation solution. The modular filling station of the invention protects against contamination and allows for time-saving one-hand use without loss of material.

**1 Claim, 9 Drawing Sheets**



(58) **Field of Classification Search**

CPC .... A61J 1/2096; A61J 1/2037; A61M 5/1782;  
B65D 41/04; B65D 2251/023; B65D  
41/0485; B65D 41/3428

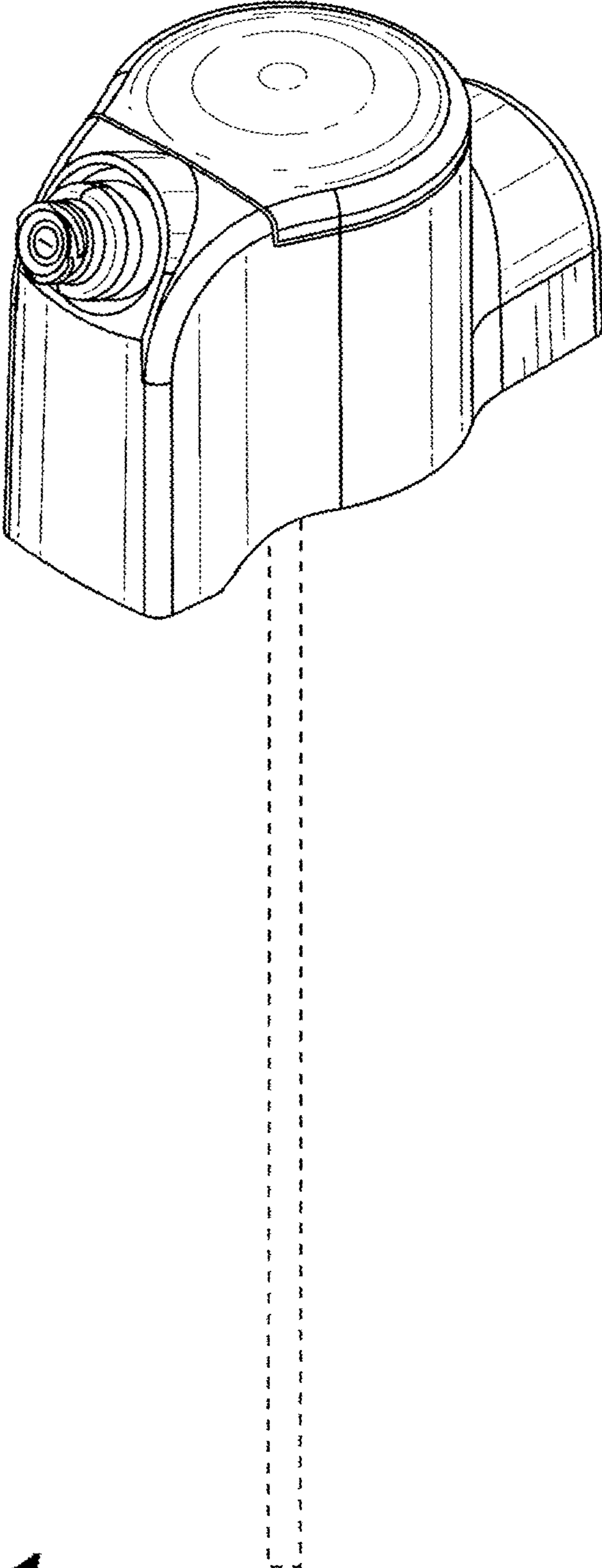
See application file for complete search history.

(56) **References Cited**

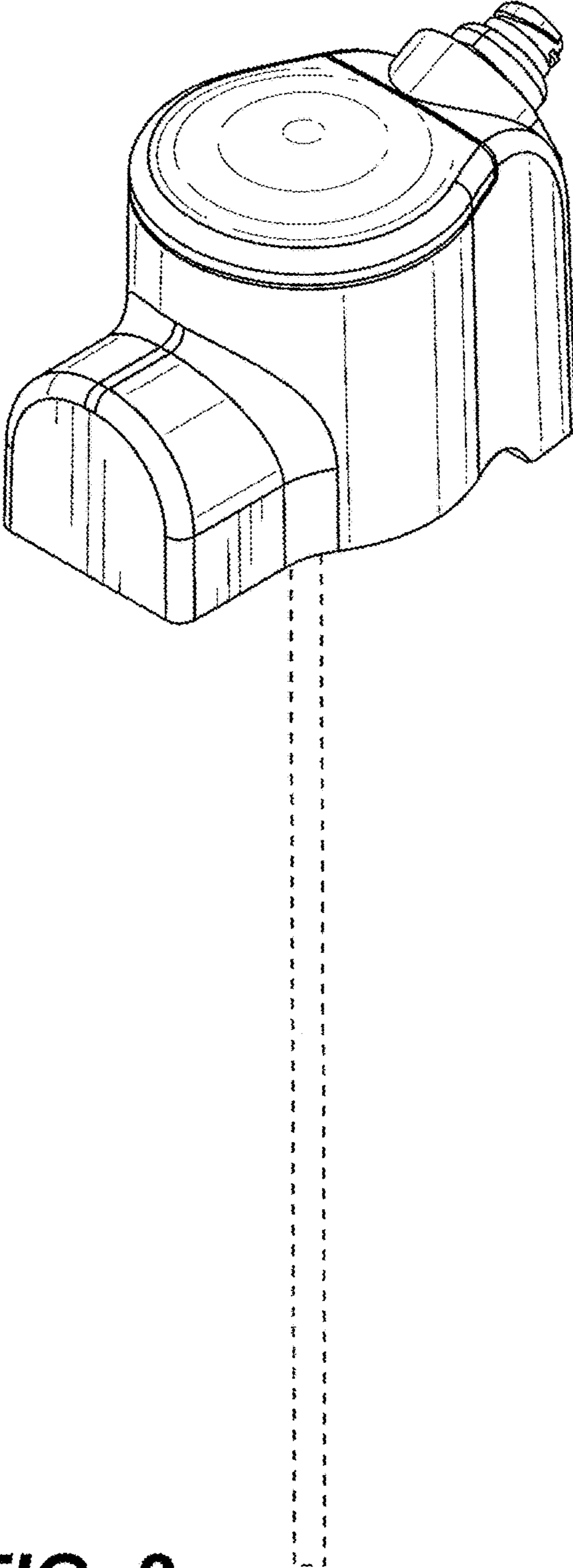
U.S. PATENT DOCUMENTS

6,701,976	B1 *	3/2004	Toraishi .....	A61M 5/31535 141/21
D599,012	S *	8/2009	Falbaum .....	D24/121
7,703,483	B2 *	4/2010	Hartman .....	B65B 3/003 141/27
8,225,824	B2 *	7/2012	Eliuk .....	B65B 3/003 141/192
8,403,008	B2 *	3/2013	Bouix .....	A45D 34/04 141/23
8,671,994	B2	3/2014	Pond et al. ....	141/27
8,978,935	B2 *	3/2015	Heatley .....	B65D 83/32 141/18
9,352,312	B2 *	5/2016	Grover .....	B01L 3/502
9,387,151	B2 *	7/2016	Davidian .....	A61M 5/31591
9,433,726	B2 *	9/2016	Creaturo .....	A61M 5/1409
9,456,956	B1 *	10/2016	Webster .....	A61J 1/2096
9,539,241	B2 *	1/2017	Timm .....	A61K 31/407

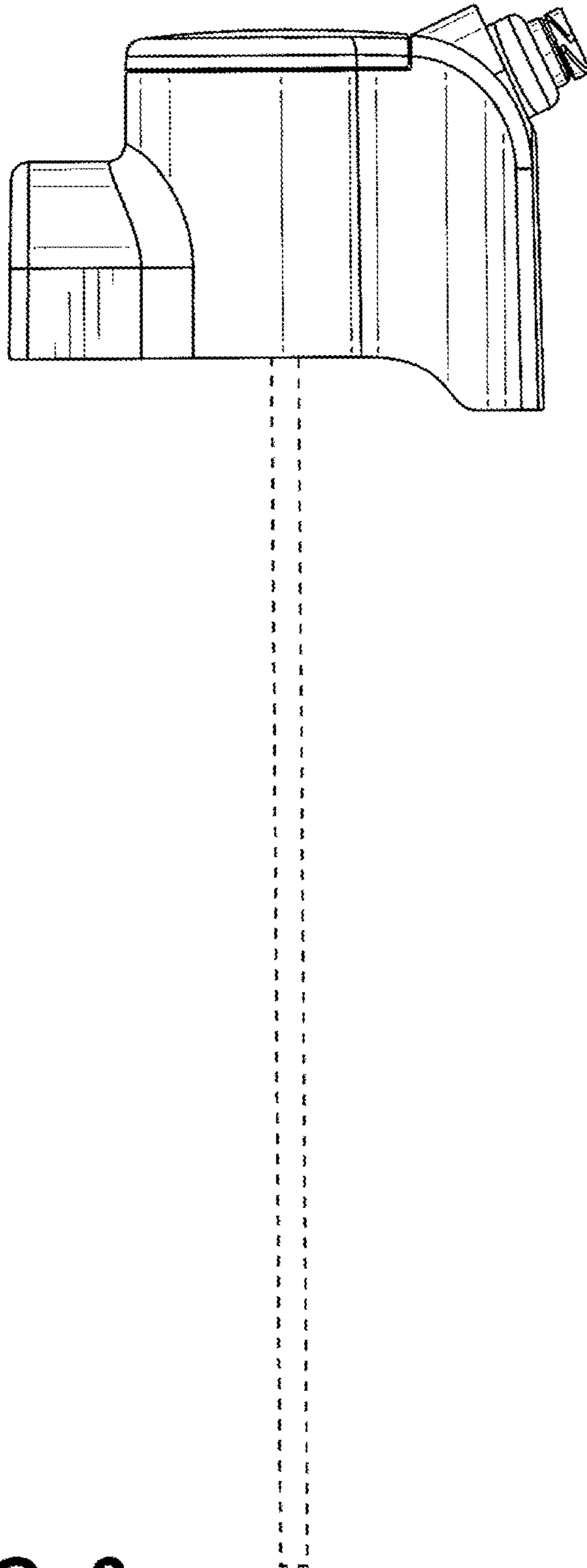
\* cited by examiner



**FIG. 1**

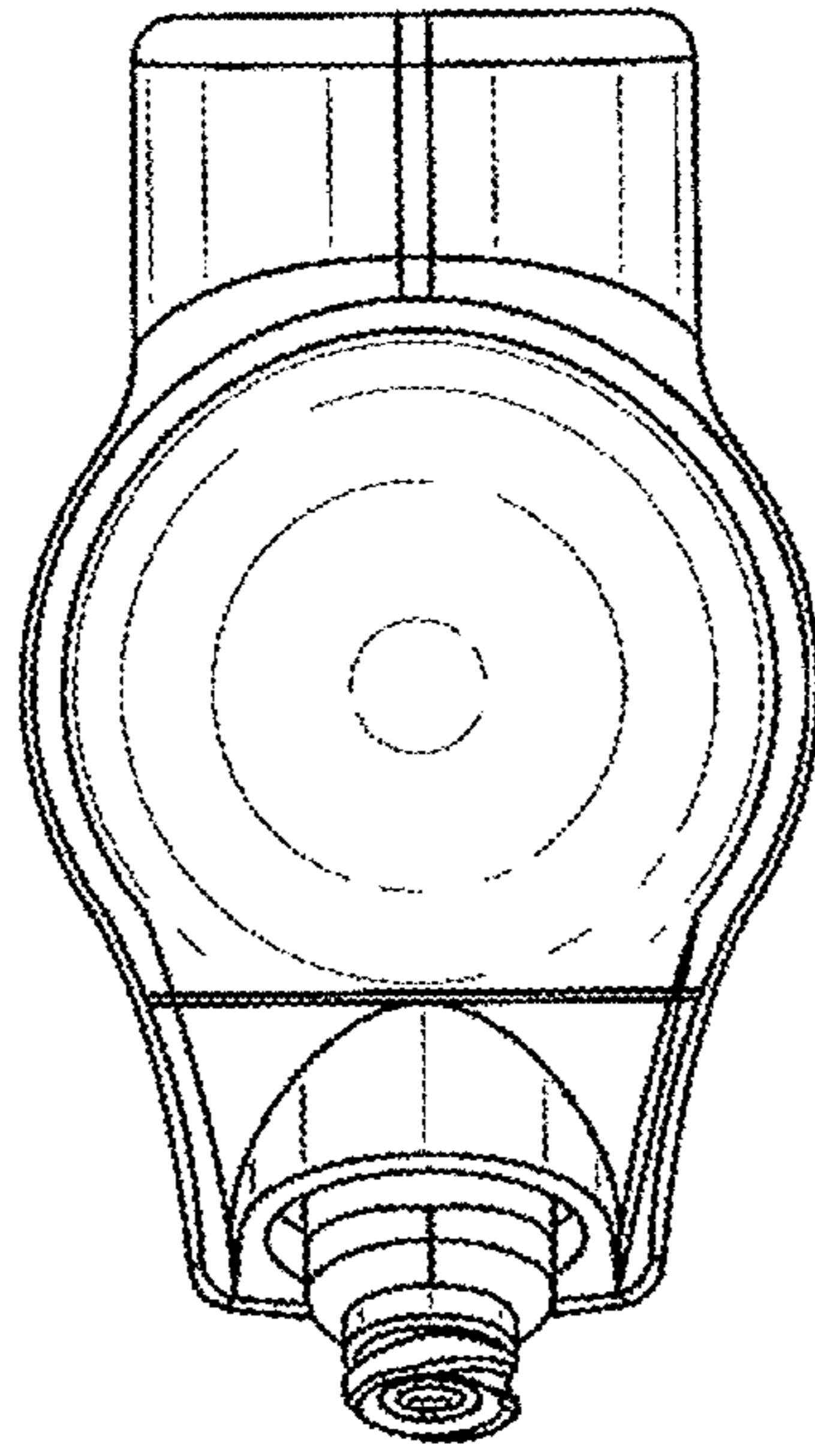


**FIG. 2**

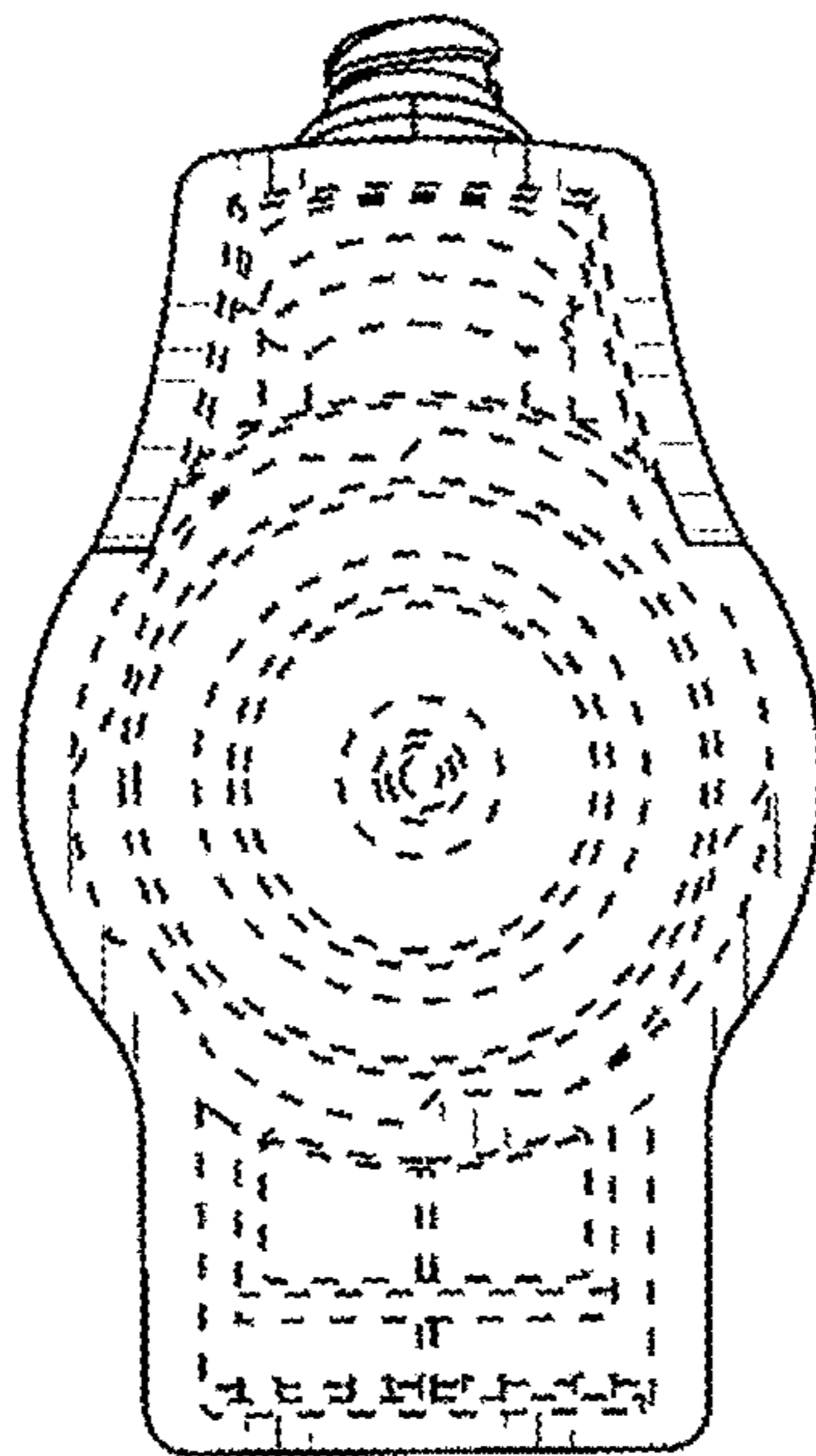


**FIG. 3**

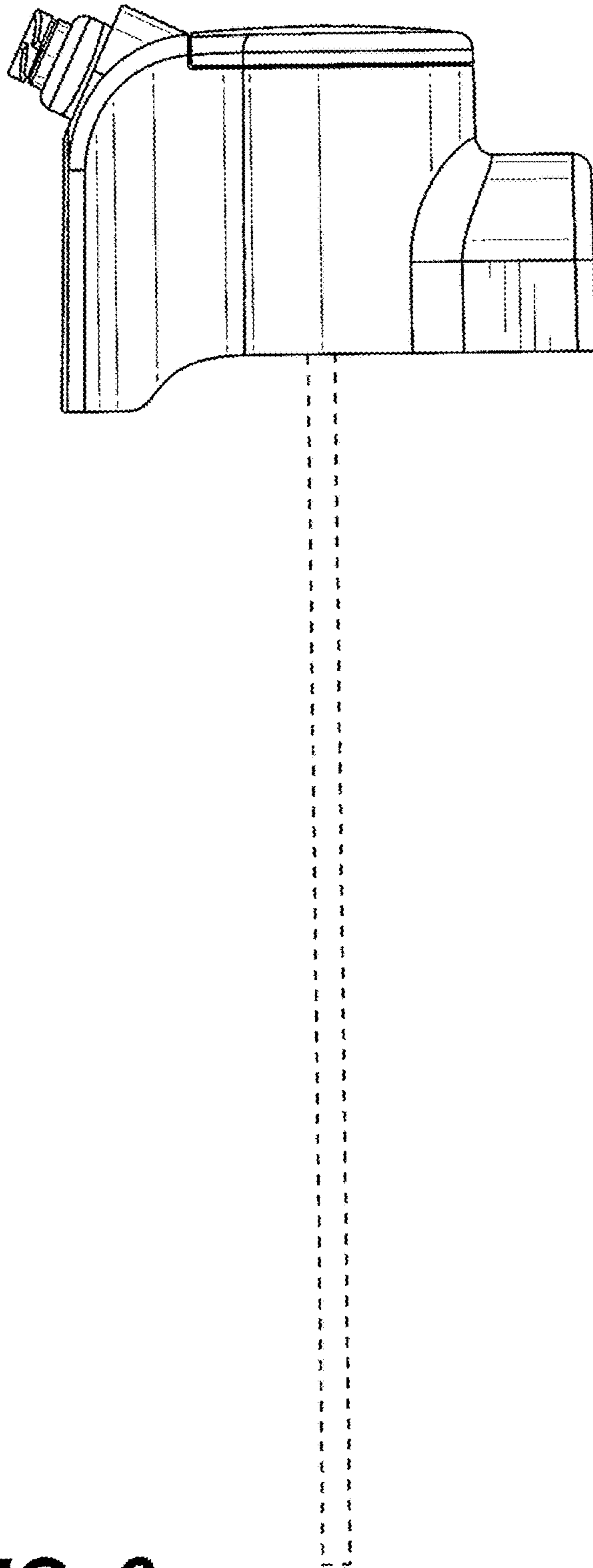




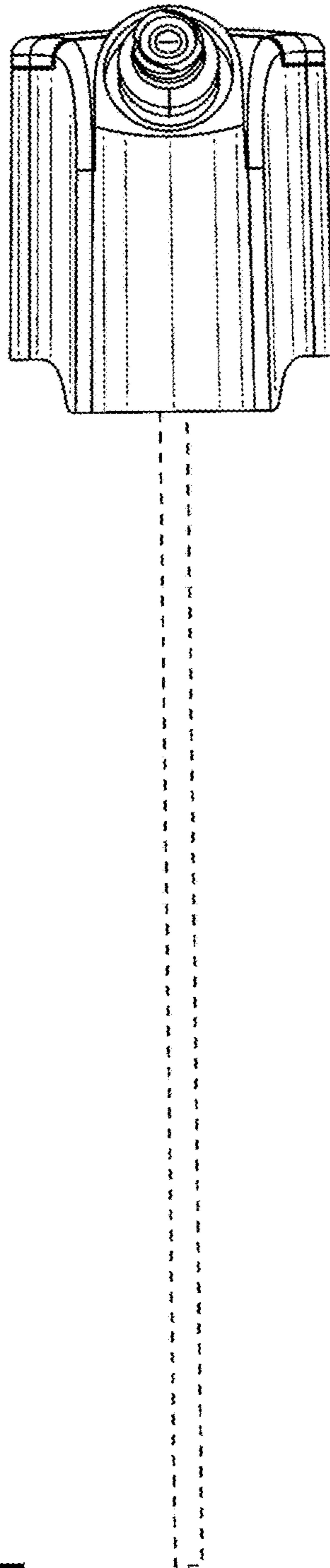
**FIG. 4**



**FIG. 5**

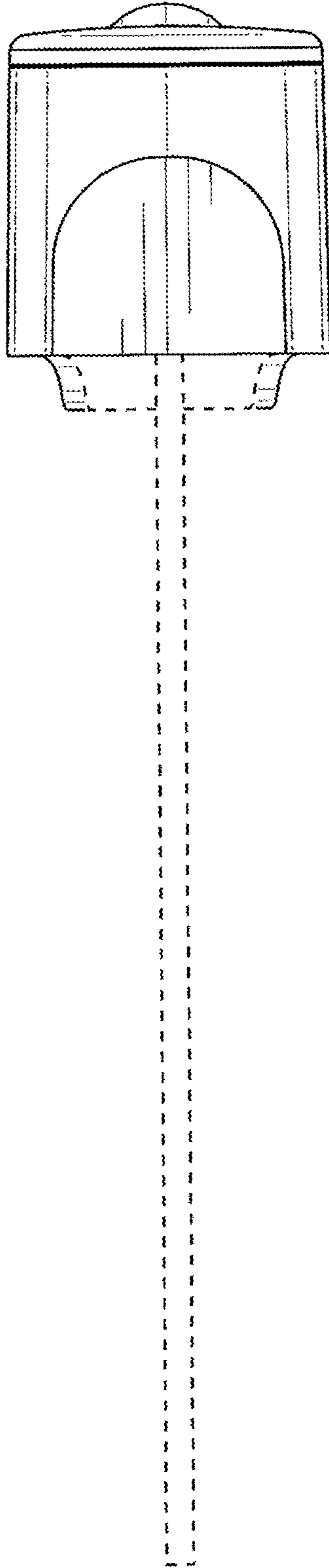


**FIG. 6**

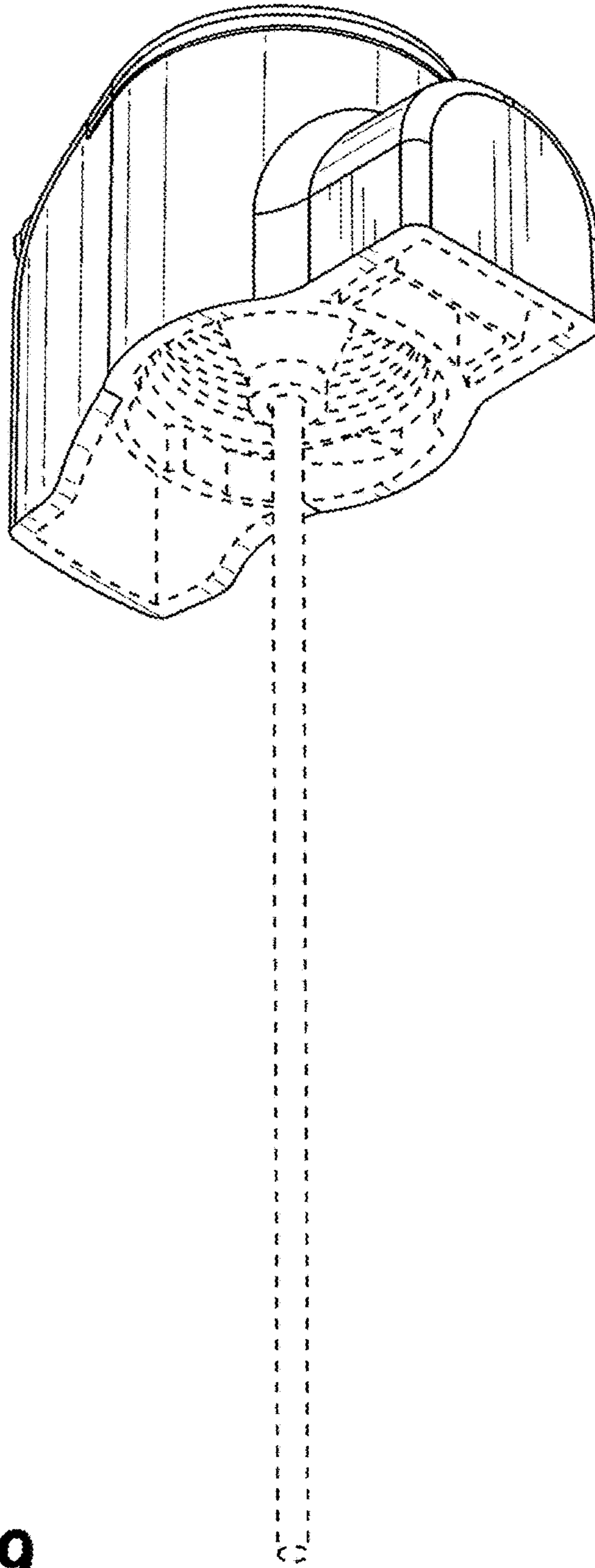


**FIG. 7**

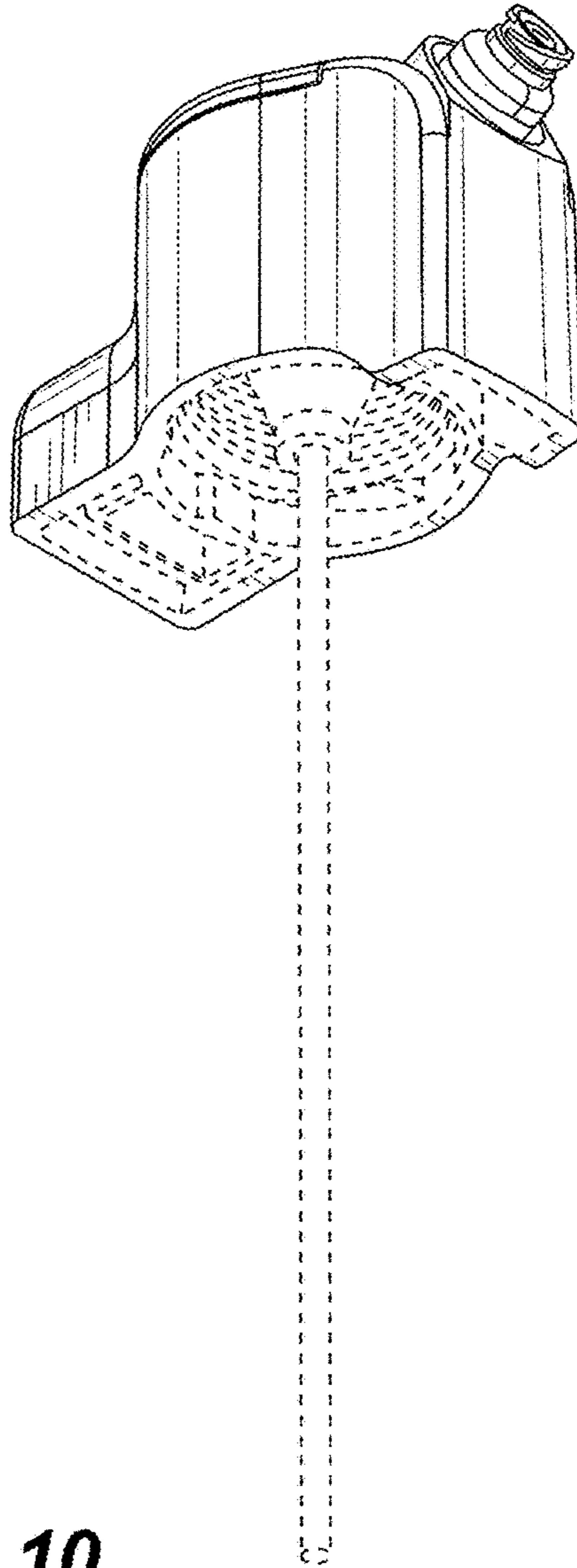




**FIG. 8**



**FIG. 9**



**FIG. 10**