



US00D799024S

(12) **United States Design Patent**
Gilbert et al.

(10) **Patent No.:** **US D799,024 S**

(45) **Date of Patent:** **** Oct. 3, 2017**

(54) **BREAST SHIELD CONNECTOR FOR BREAST PUMP**

(71) Applicant: **MEDELA HOLDING AG**, Baar (CH)

(72) Inventors: **Deanna Gilbert**, Arlington Heights, IL (US); **Kathryn Mizuchi**, Round Lake Beach, IL (US); **Raymond Holtz**, Chicago, IL (US); **Federico Ferretti**, Cesena (IT); **Emanuele Teobaldo**, Milan (IT); **Elisa Cucchetto**, Milan (IT); **Jennifer Ashman-Stauss**, Cincinnati, OH (US)

(73) Assignee: **MEDELA HOLDING AG**, Baar (CH)

(**) Term: **15 Years**

(21) Appl. No.: **29/586,568**

(22) Filed: **Dec. 5, 2016**

Related U.S. Application Data

(62) Division of application No. 29/523,677, filed on Apr. 13, 2015, now Pat. No. Des. 776,803.

(51) **LOC (10) Cl.** **24-02**

(52) **U.S. Cl.**
USPC **D24/109**

(58) **Field of Classification Search**
USPC D24/108, 109, 127; 604/74-76; D9/500, D9/549

CPC A61M 1/062; A61M 1/06; A61M 1/066; A61M 1/064; A61J 9/00; A61J 9/001

See application file for complete search history.

(56) **References Cited**

U.S. PATENT DOCUMENTS

D372,975 S 8/1996 Meyers et al.
5,749,850 A 5/1998 Williams et al.
D496,097 S 9/2004 Rosnak et al.
D500,551 S 1/2005 Lantz et al.

7,201,735 B2 4/2007 Atkin et al.
D609,330 S * 2/2010 Paterson D24/109
D609,331 S * 2/2010 Paterson D24/109
D776,803 S * 1/2017 Gilbert D24/109
2005/0154348 A1 7/2005 Lantz et al.
2008/0171970 A1 7/2008 Luzbetak et al.

(Continued)

FOREIGN PATENT DOCUMENTS

CN 202154891 U 3/2012
CN 202497512 U 10/2012

(Continued)

Primary Examiner — Barbara Fox

Assistant Examiner — Lilyana Bekic

(74) *Attorney, Agent, or Firm* — Marshall, Gerstein & Borun LLP

(57) **CLAIM**

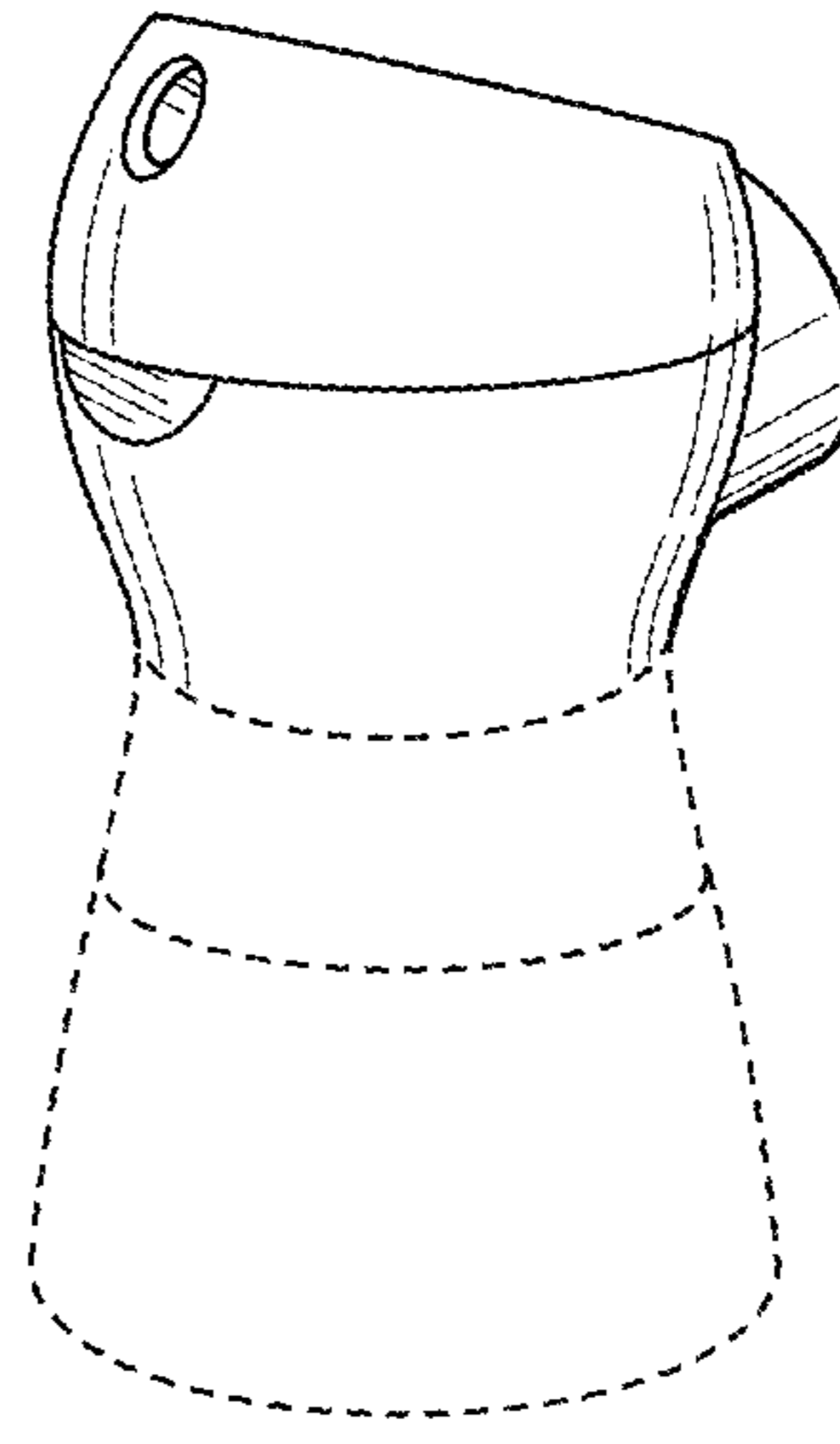
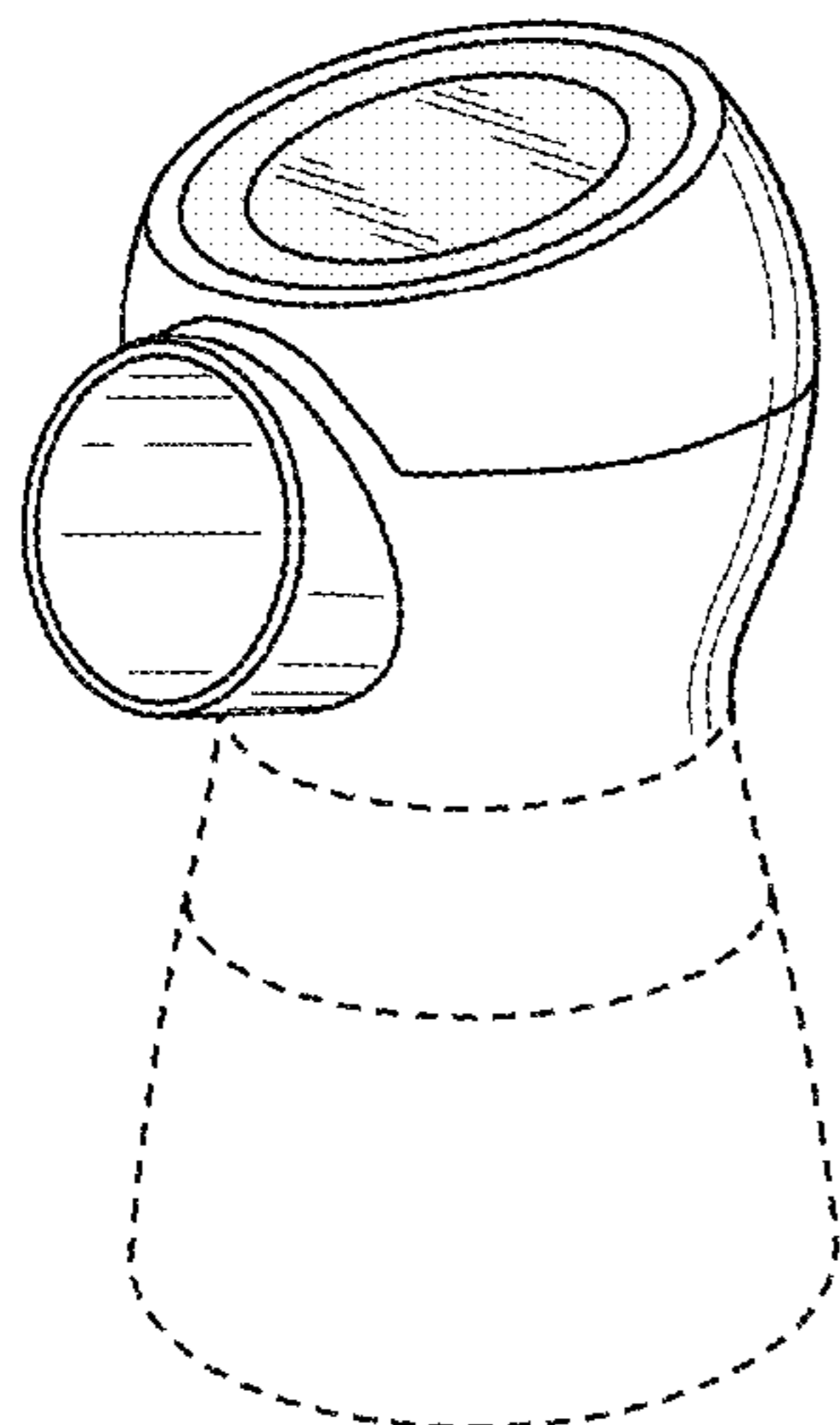
The ornamental design for a breast shield connector for breast pump, as shown and described.

DESCRIPTION

FIG. 1 is a left, front perspective view of a breast shield connector for breast pump of the present invention; FIG. 2 is a right, rear perspective view of the breast shield connector for breast pump illustrated in FIG. 1; FIG. 3 is a front elevational view of the breast shield connector for breast pump illustrated in FIG. 1, FIG. 4 is a left side elevational view of the breast shield connector for breast pump illustrated in FIG. 1, the right side elevational view being a mirror image thereof; FIG. 5 is a rear elevational view of the breast shield connector for breast pump illustrated in FIG. 1; and, FIG. 6 is a top view of the breast shield connector for breast pump illustrated in FIG. 1.

The broken lines in the drawings illustrate portions of the breast shield connector for breast pump that form no part of the claimed design.

1 Claim, 1 Drawing Sheet



(56)

References Cited

U.S. PATENT DOCUMENTS

2008/0208115 A1 8/2008 Kliegman et al.
2010/0324477 A1* 12/2010 Paterson A61M 1/0072
604/74
2013/0123688 A1 5/2013 Bosman et al.
2013/0245548 A1 9/2013 Cook et al.

FOREIGN PATENT DOCUMENTS

CN 103153358 A 6/2013
CN 103251992 A 8/2013
WO WO-2012/127405 A1 9/2012

* cited by examiner

Fig. 1

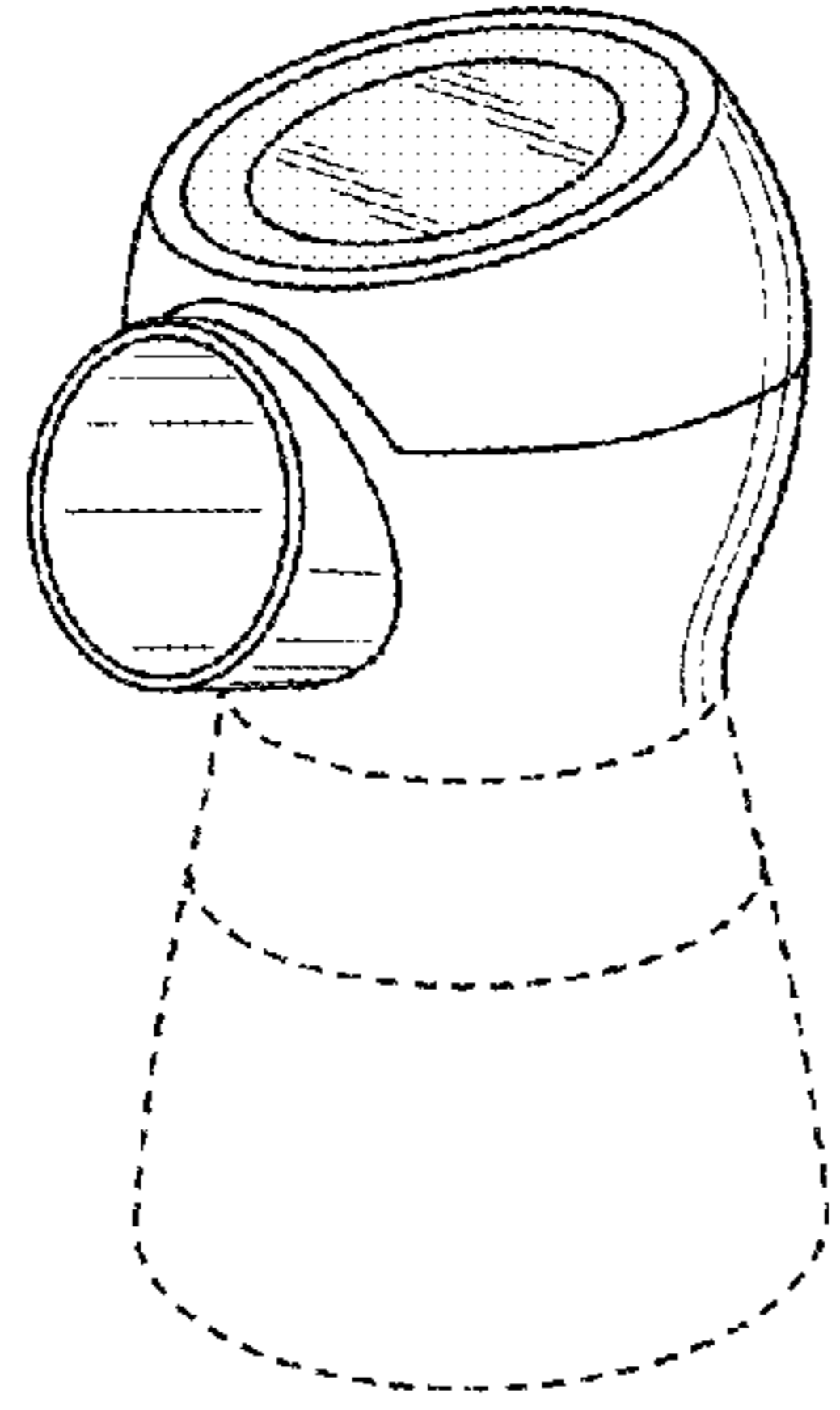


Fig. 2

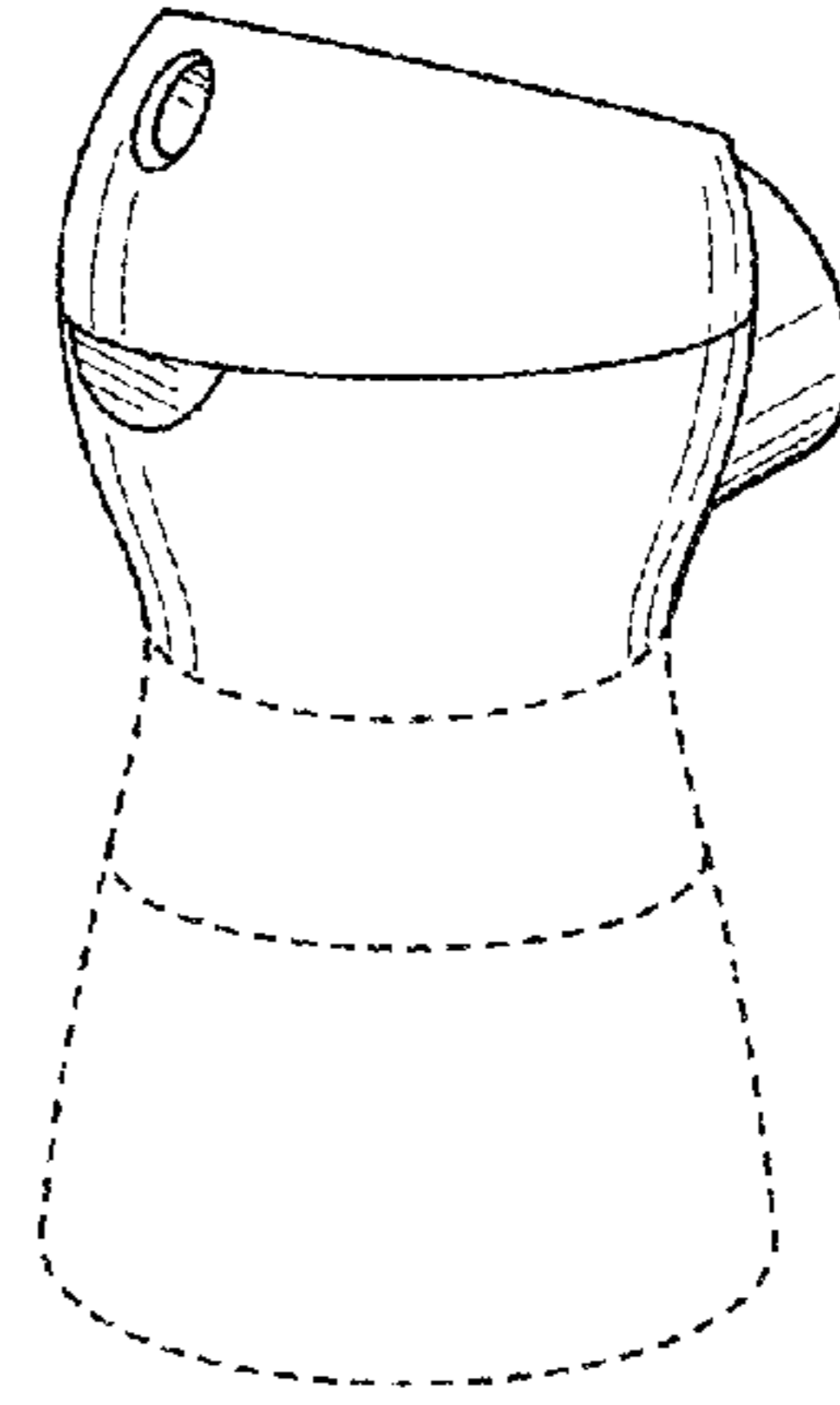


Fig. 6

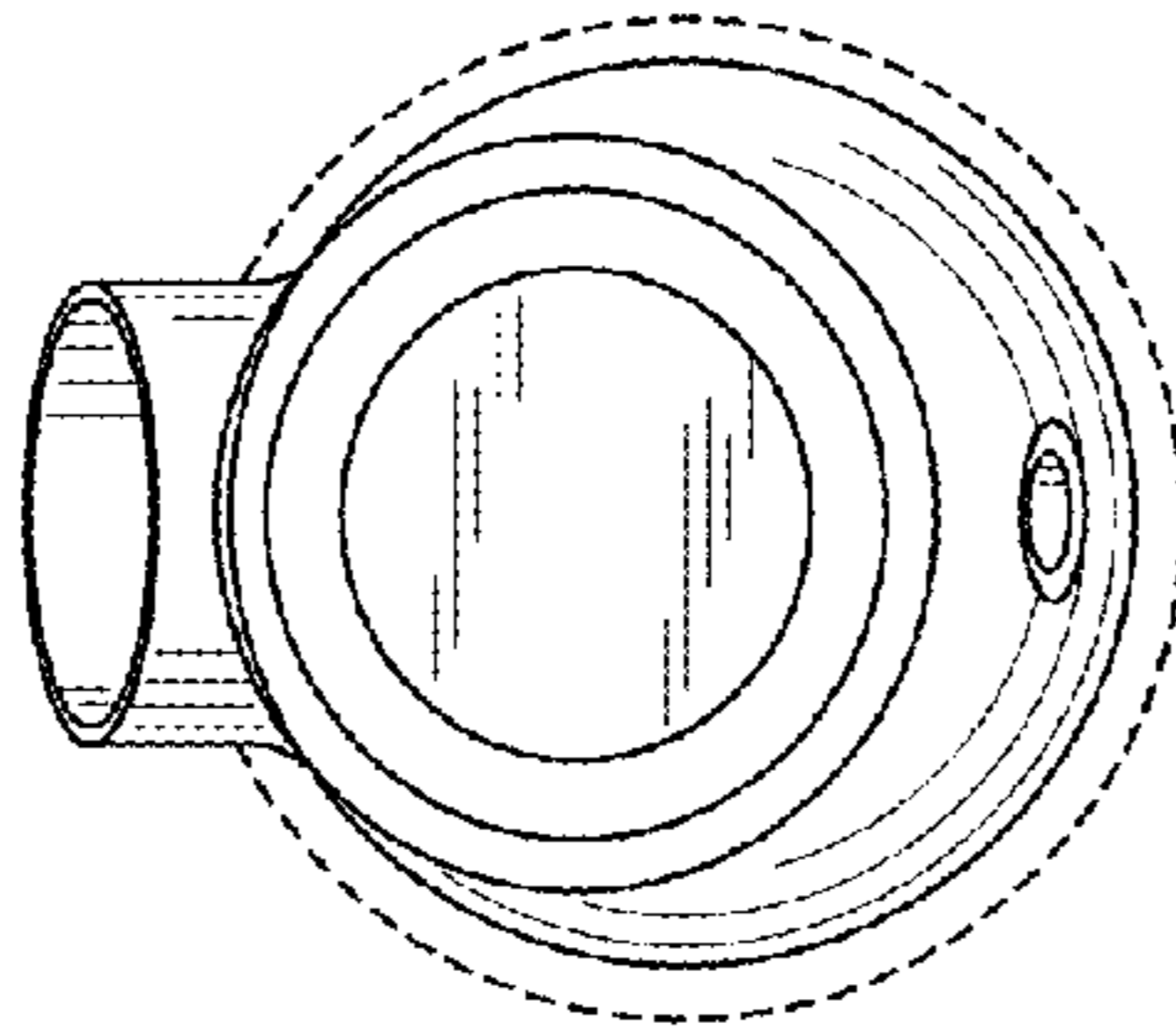


Fig. 3

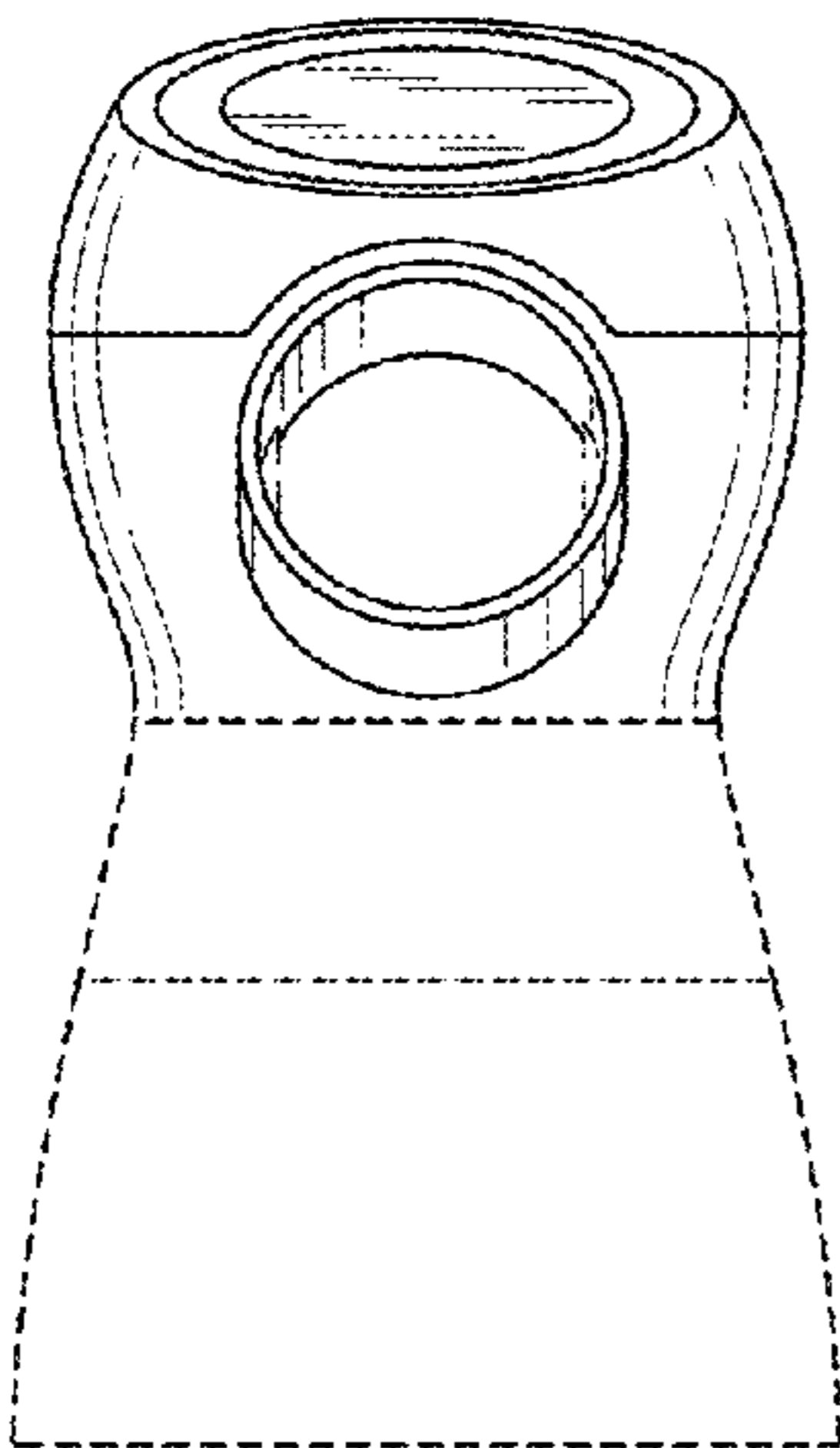


Fig. 4

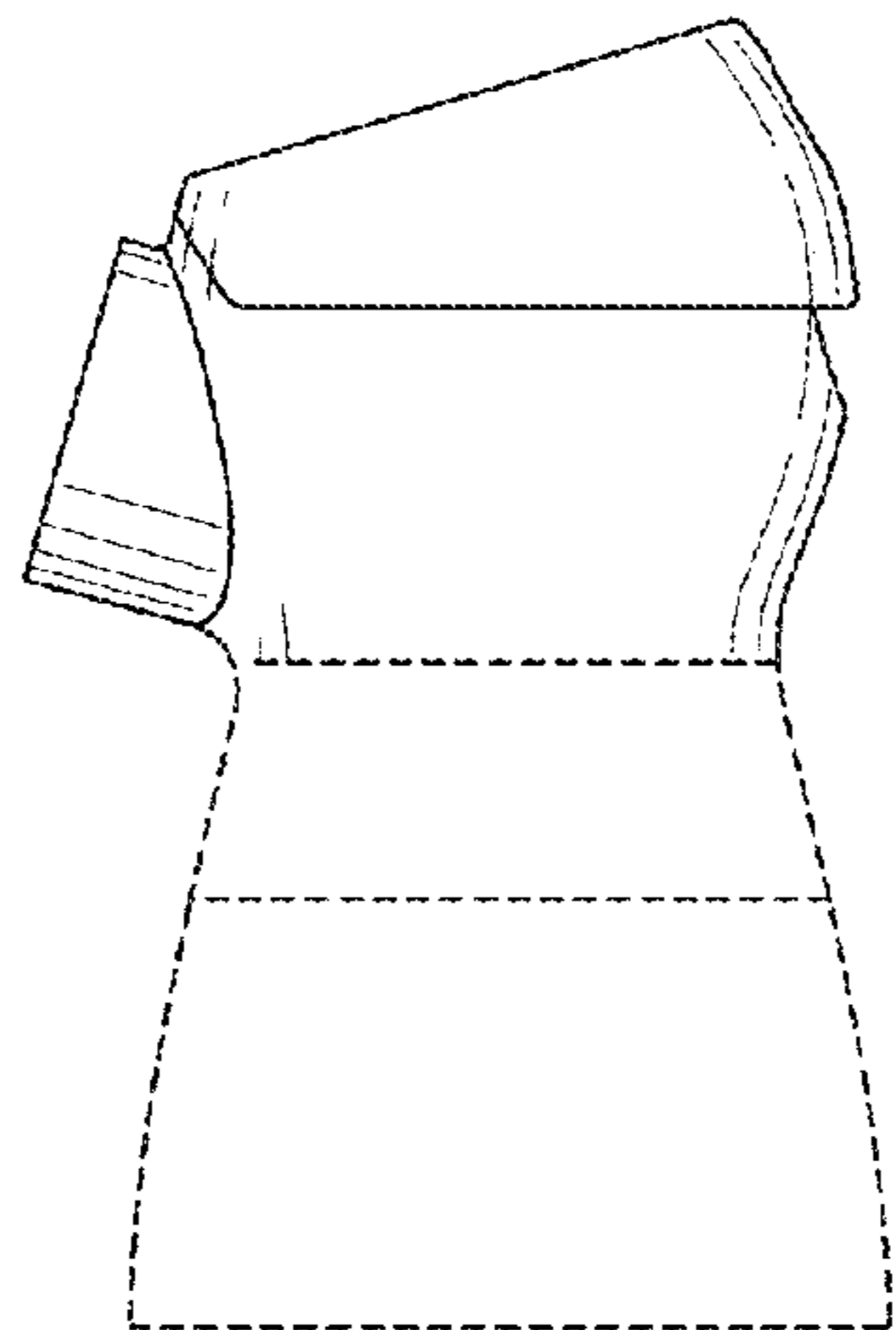
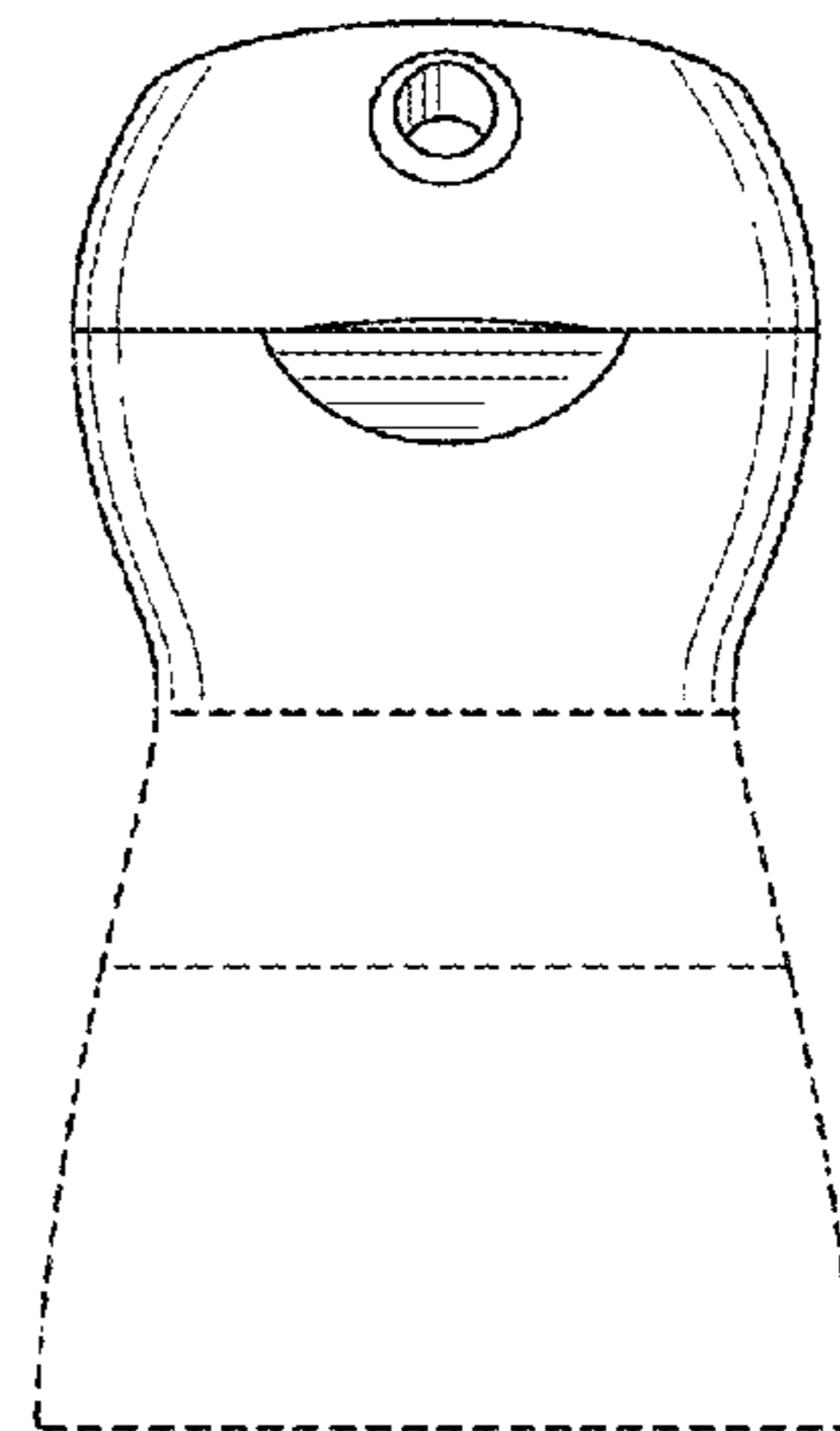


Fig. 5



UNITED STATES PATENT AND TRADEMARK OFFICE
CERTIFICATE OF CORRECTION

PATENT NO. : D799,024 S
APPLICATION NO. : 29/586568
DATED : October 3, 2017
INVENTOR(S) : Deanna Gilbert et al.

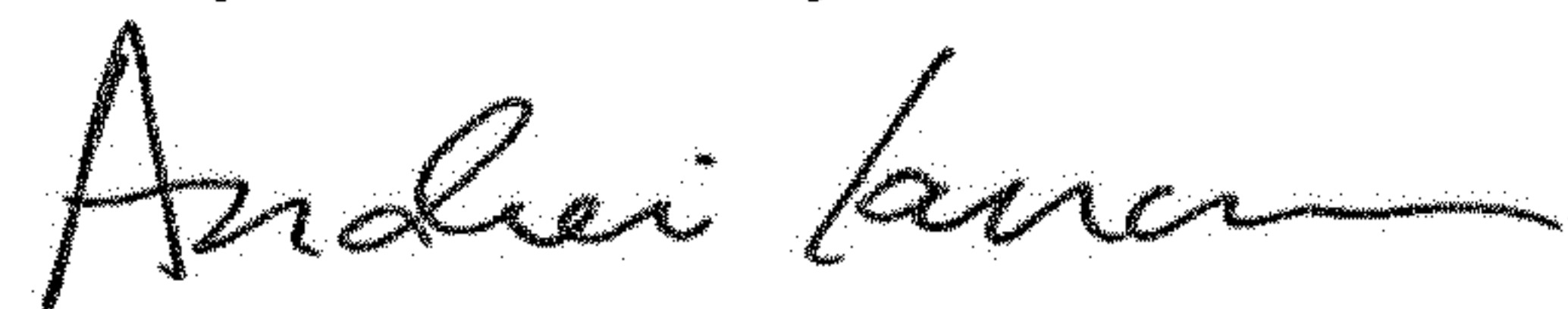
Page 1 of 2

It is certified that error appears in the above-identified patent and that said Letters Patent is hereby corrected as shown below:

In the Drawings

Replace Sheet 1 with the Replacement Sheet submitted herewith, in which Figures 1-6 are replaced with corrected Figures 1-6.

Signed and Sealed this
Twenty-second Day of October, 2019



Andrei Iancu
Director of the United States Patent and Trademark Office

Fig. 1

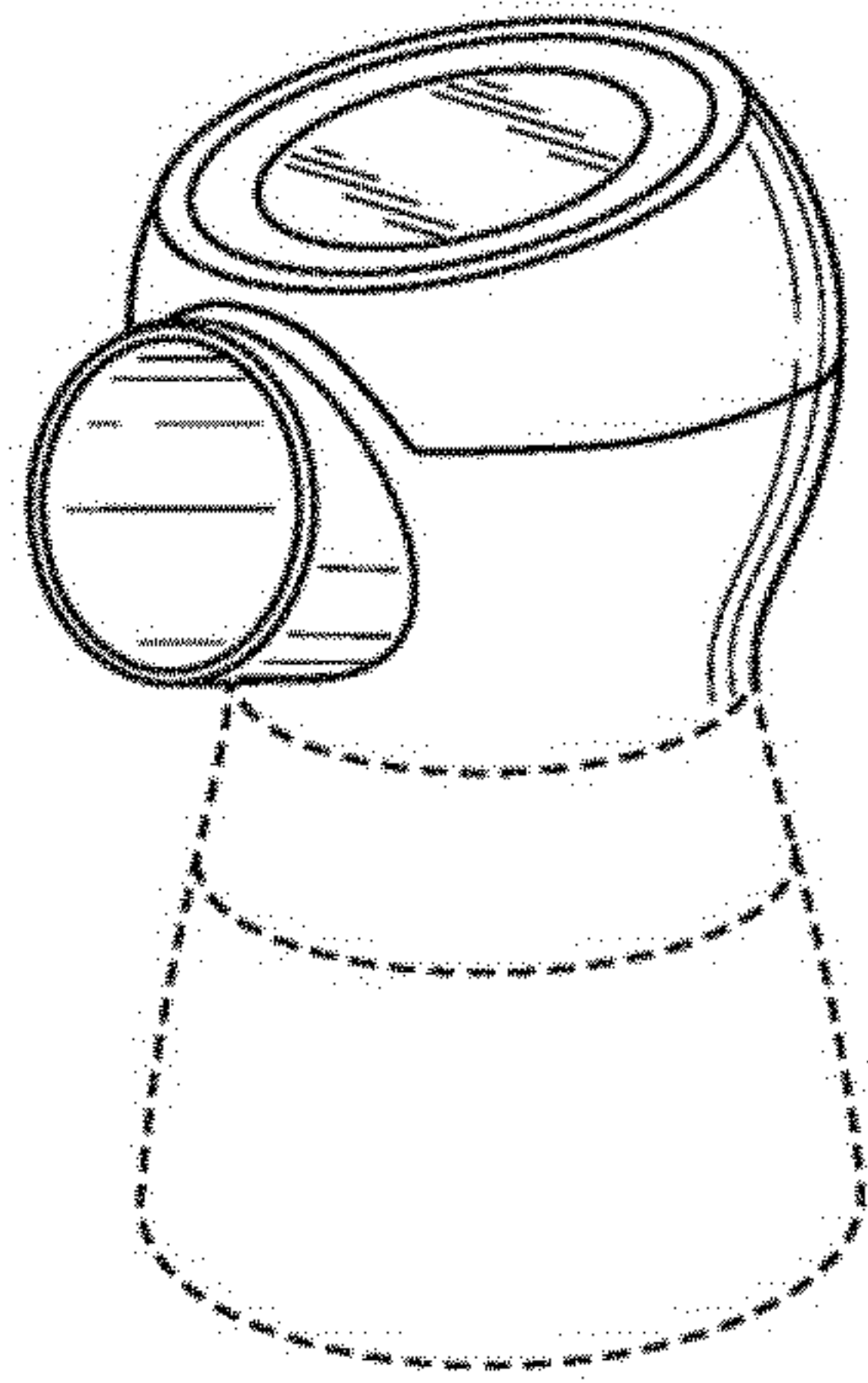


Fig. 2

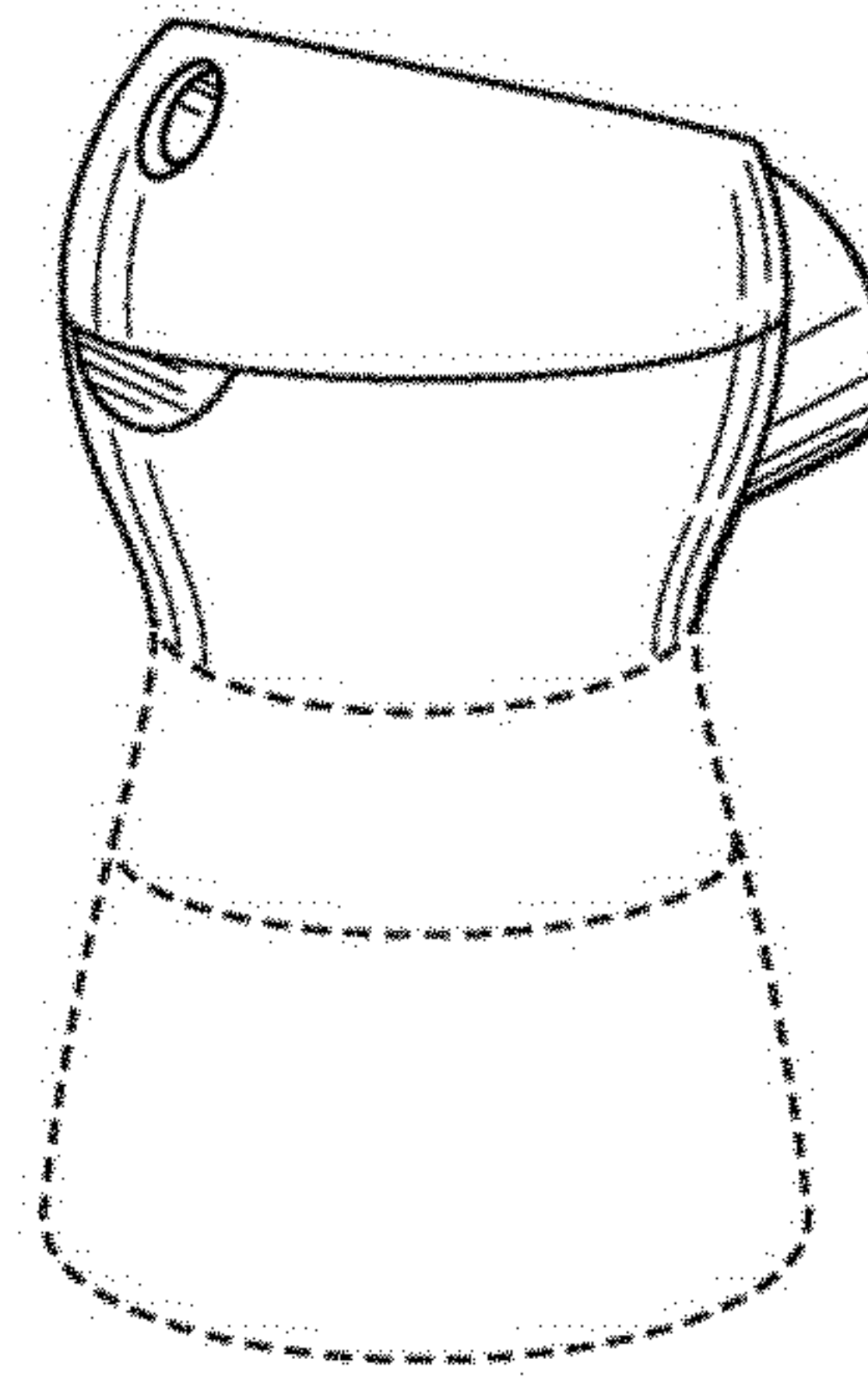


Fig. 6

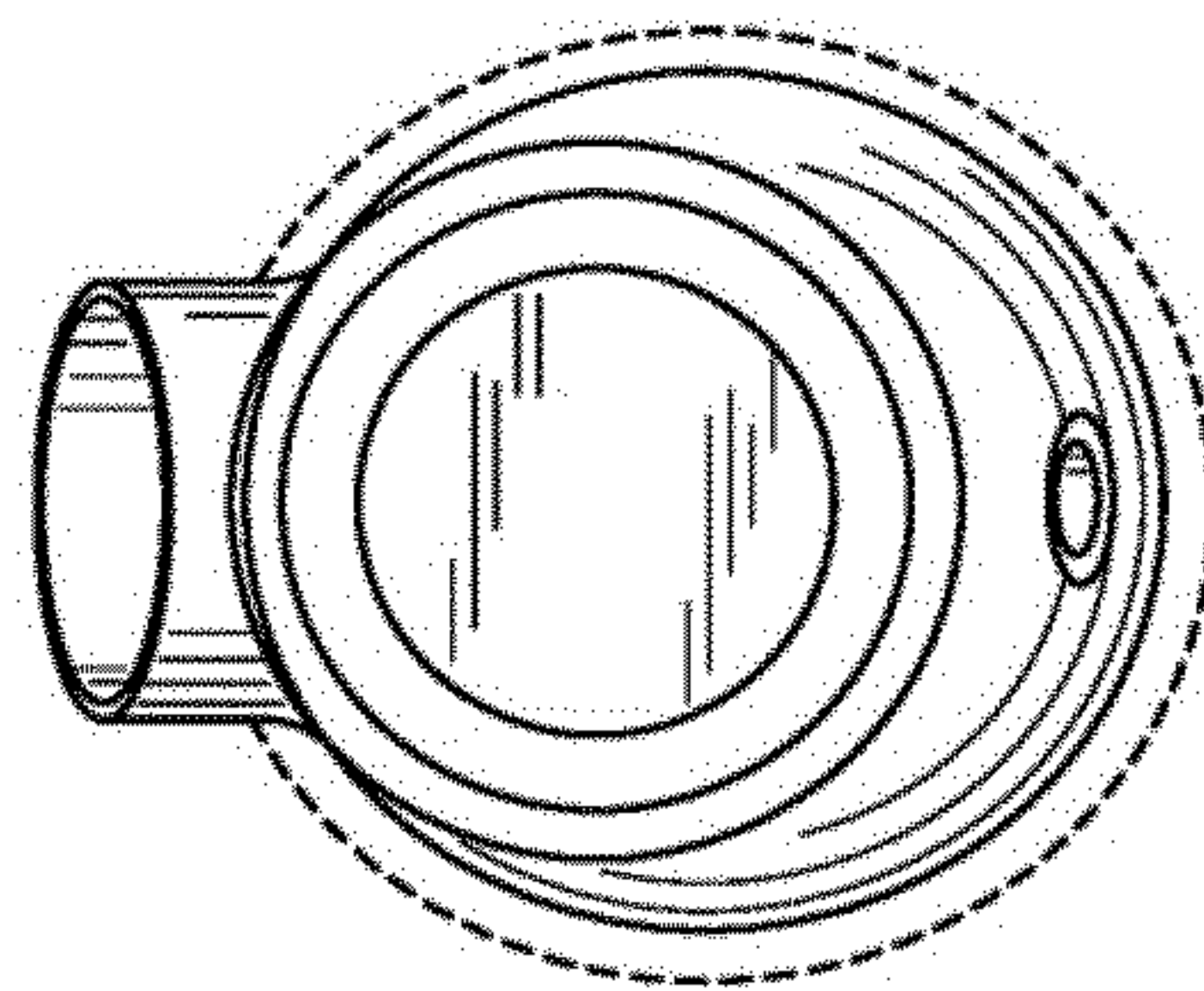


Fig. 3

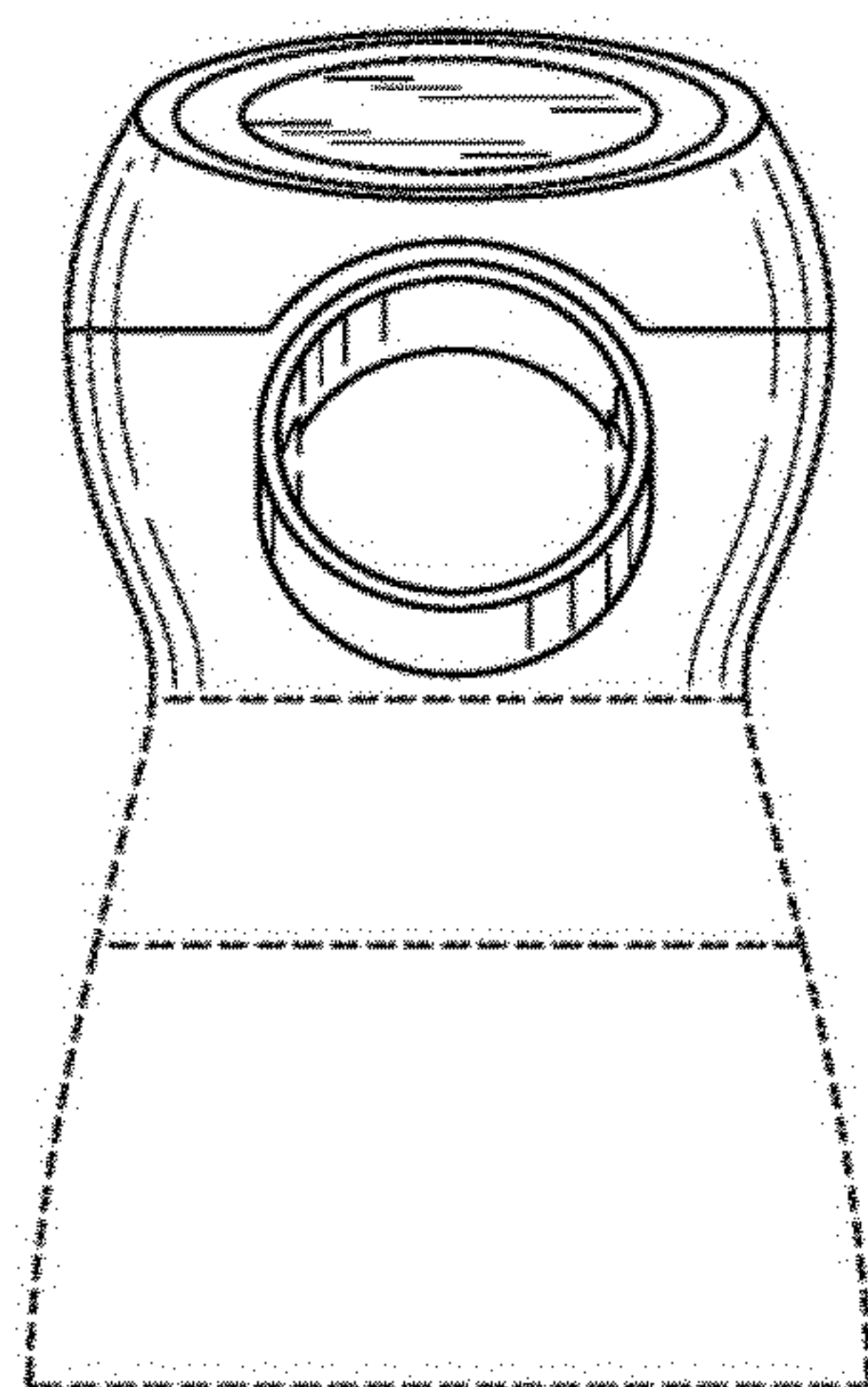


Fig. 4

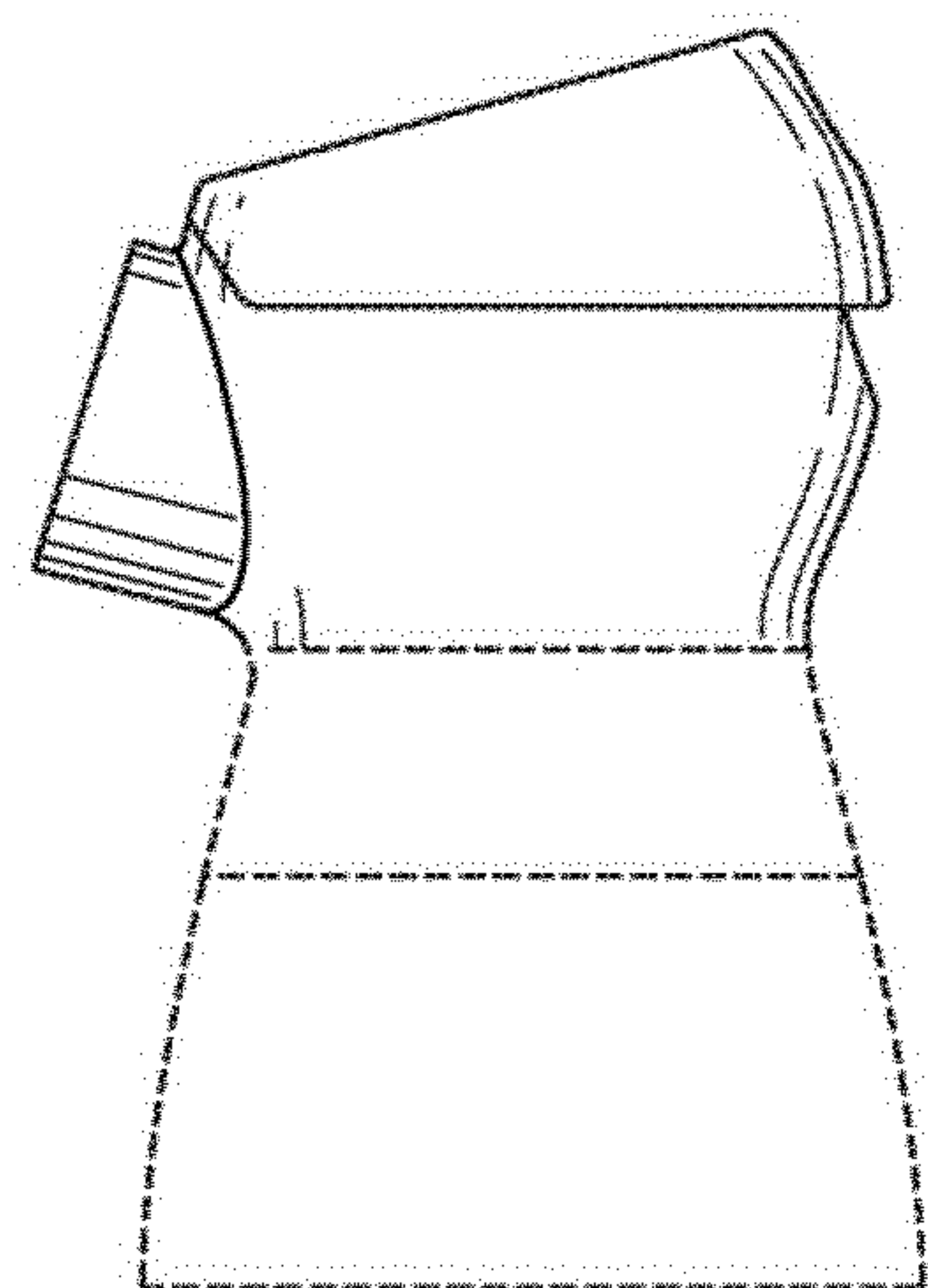


Fig. 5

