

US00D799022S

(12) **United States Design Patent** (10) **Patent No.:** **US D799,022 S**
Ksiazek (45) **Date of Patent:** **** Oct. 3, 2017**

(54) **MOUNTING CLIP FOR PORTABLE FAN**
(71) Applicant: **O2COOL, LLC**, Chicago, IL (US)
(72) Inventor: **Michael Ksiazek**, Burr Ridge, IL (US)
(73) Assignee: **O2COOL, LLC**, Chicago, IL (US)

D399,644 S 10/1998 Ball
D435,899 S 1/2001 Melwani
D441,444 S 5/2001 Shapiro
D449,918 S 11/2001 Boncutter
D461,552 S 8/2002 Wright
D512,906 S 12/2005 Wood

(Continued)

(**) Term: **15 Years**

OTHER PUBLICATIONS

(21) Appl. No.: **29/581,189**

Diono-Stroller Fan—Walmart.com. Purchased as early as Nov. 2012 [retrieved May 16, 2016] from Internet http://www.walmart.com/ip/Diono-Stroller-Fan/17747628?action=product_interest&action_type=title&item_id=17747628&placement_id=irs-106-m2&strategy=TIC&visitor_id&category=&client_guid=79e30bf2-7053-4b12-b2c2-be29eb729fc&customer_id_enc&config... see V.

(22) Filed: **Oct. 17, 2016**

(Continued)

Related U.S. Application Data

(63) Continuation of application No. 29/514,956, filed on Jan. 19, 2015, now Pat. No. Des. 770,033.

(51) **LOC (10) Cl.** **23-04**

(52) **U.S. Cl.**

USPC **D23/411**; D8/395

(58) **Field of Classification Search**

USPC D23/411, 379, 382, 370; D11/200, 215, D11/217; D13/149; D8/349, 382, 394, D8/395; D19/65, 86; D2/916, 917, 624, D2/631, 639, 978; D28/40; D26/61, D26/113, 140, 142, 156; D6/628; D32/62, 64

CPC F04D 29/601; F04D 29/646; F04D 25/08; F16M 13/022; F16M 13/02; F16M 11/10; F16M 11/12; F16M 11/2014; F16M 11/18; F16M 11/40

See application file for complete search history.

Primary Examiner — Susan Bennett Hattan

Assistant Examiner — Marie Fast Horse

(74) *Attorney, Agent, or Firm* — Thompson Coburn LLP

(57)

CLAIM

The ornamental design for a mounting clip for portable fan, as shown and described.

DESCRIPTION

FIG. 1 is a first perspective view of the mounting clip for portable fan;

FIG. 2 is a second perspective view thereof;

FIG. 3 is a front view thereof;

FIG. 4 is a rear view thereof;

FIG. 5 is a left side view thereof;

FIG. 6 is a right side view thereof;

FIG. 7 is a top view thereof; and,

FIG. 8 is a bottom view thereof.

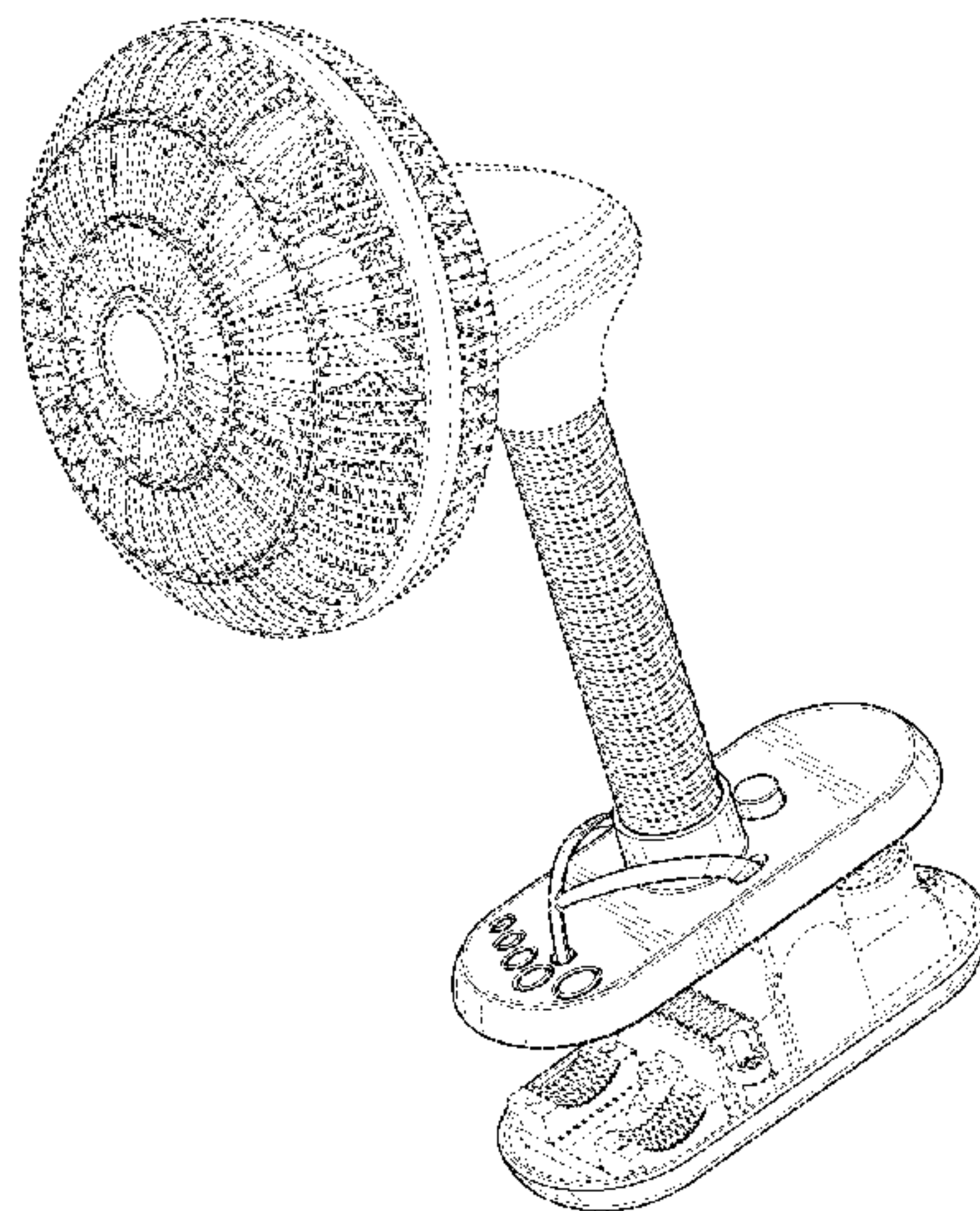
The broken lines immediately adjacent the shaded areas represent the bounds of the claimed design while all other broken lines are directed to environment; the broken lines form no part of the claimed design.

(56) **References Cited**

U.S. PATENT DOCUMENTS

D238,625 S * 2/1976 York, Jr. D2/917
D247,832 S 5/1978 Glasgow et al.
D278,946 S 5/1985 Chen
4,799,858 A 1/1989 Shin-Chin
D302,568 S 8/1989 Berger
D342,597 S 12/1993 Clark
D348,902 S 7/1994 Beyer
5,725,356 A 3/1998 Carter

1 Claim, 8 Drawing Sheets



(56)

References Cited

U.S. PATENT DOCUMENTS

D518,367 S * 4/2006 Hay D8/395
 D524,976 S * 7/2006 Hodgson D26/56
 D524,977 S * 7/2006 Smith D26/113
 D525,117 S 7/2006 Mariano et al.
 D542,402 S 5/2007 Abell
 D550,551 S 9/2007 Howard
 D552,461 S 10/2007 Oas
 D563,779 S 3/2008 Yip et al.
 D565,662 S 4/2008 Reardon et al.
 D598,279 S 8/2009 Seehoff et al.
 D599,651 S 9/2009 Riggsbee
 D602,656 S 10/2009 Fuhrer
 D629,943 S * 12/2010 Nelson D26/60
 8,123,290 B1 2/2012 Aiken et al.
 D667,724 S 9/2012 Mangano
 D669,976 S 10/2012 Hsu
 D670,371 S 11/2012 Hsu
 D675,312 S 1/2013 Zhu et al.
 D684,924 S 6/2013 Herbst
 D697,395 S 1/2014 Adams
 D701,004 S 3/2014 Maguire
 D714,681 S 10/2014 Katz
 D721,877 S * 2/2015 Steele D2/948
 D727,001 S 4/2015 Goldie
 D731,055 S 6/2015 Hyde et al.
 D735,978 S 8/2015 Abidoeye et al.

D736,503 S 8/2015 Najjar
 D737,132 S * 8/2015 Garcia D8/395
 D751,890 S 3/2016 Dubble et al.
 D752,967 S * 4/2016 Katz D8/395
 D758,839 S * 6/2016 Kaalberg D8/395
 D766,601 S * 9/2016 Barre D6/326
 D770,033 S * 10/2016 Ksiazek D23/411
 D772,476 S * 11/2016 Smith D26/142
 D775,392 S * 12/2016 Law D26/61

OTHER PUBLICATIONS

Link continued from U: [_id=106&parent_item_id=42890365
 &parent_anchor_item_id=42890365&guid=334b8d65-7c38-
 4b07-95e8-0a29095996bc&bucket_id=irsbucketdefault&beacon_
 version=1.0.1&findingMethod=p13n.](http://www.uspto.gov/patft/redirect.do?_id=106&parent_item_id=42890365&parent_anchor_item_id=42890365&guid=334b8d65-7c38-4b07-95e8-0a29095996bc&bucket_id=irsbucketdefault&beacon_version=1.0.1&findingMethod=p13n)
 Stripe Flip Flop Boca Clips in Blue (Set of 2). bedbathandbeyond.com (online) 1 page. May 20, 2014 [retrieved on May 16, 2016]. Retrieved from Internet: [http://www.bedbathandbeyond.com/store/
 product/stripe-flip-flop-boca-clips-reg-in-blue-set-of-2/
 1042512301?Keyword=boca+clip.](http://www.bedbathandbeyond.com/store/product/stripe-flip-flop-boca-clips-reg-in-blue-set-of-2/1042512301?Keyword=boca+clip)
 The Clip Fan CN303369667 Wang Dongni. (Design -ÓQuestel). orbit.com [online PDF] 3 pages. registered Sep. 9, 2015 [retrieved on May 17, 2016]. Retrieved from Internet: [https://sobjprd.questel.
 fr/export/QPTUJ214/pdf2/69b4ad72-35b7-4984-ae6a-
 d84c3a595777-161519.pdf.](https://sobjprd.questel.fr/export/QPTUJ214/pdf2/69b4ad72-35b7-4984-ae6a-d84c3a595777-161519.pdf)

* cited by examiner

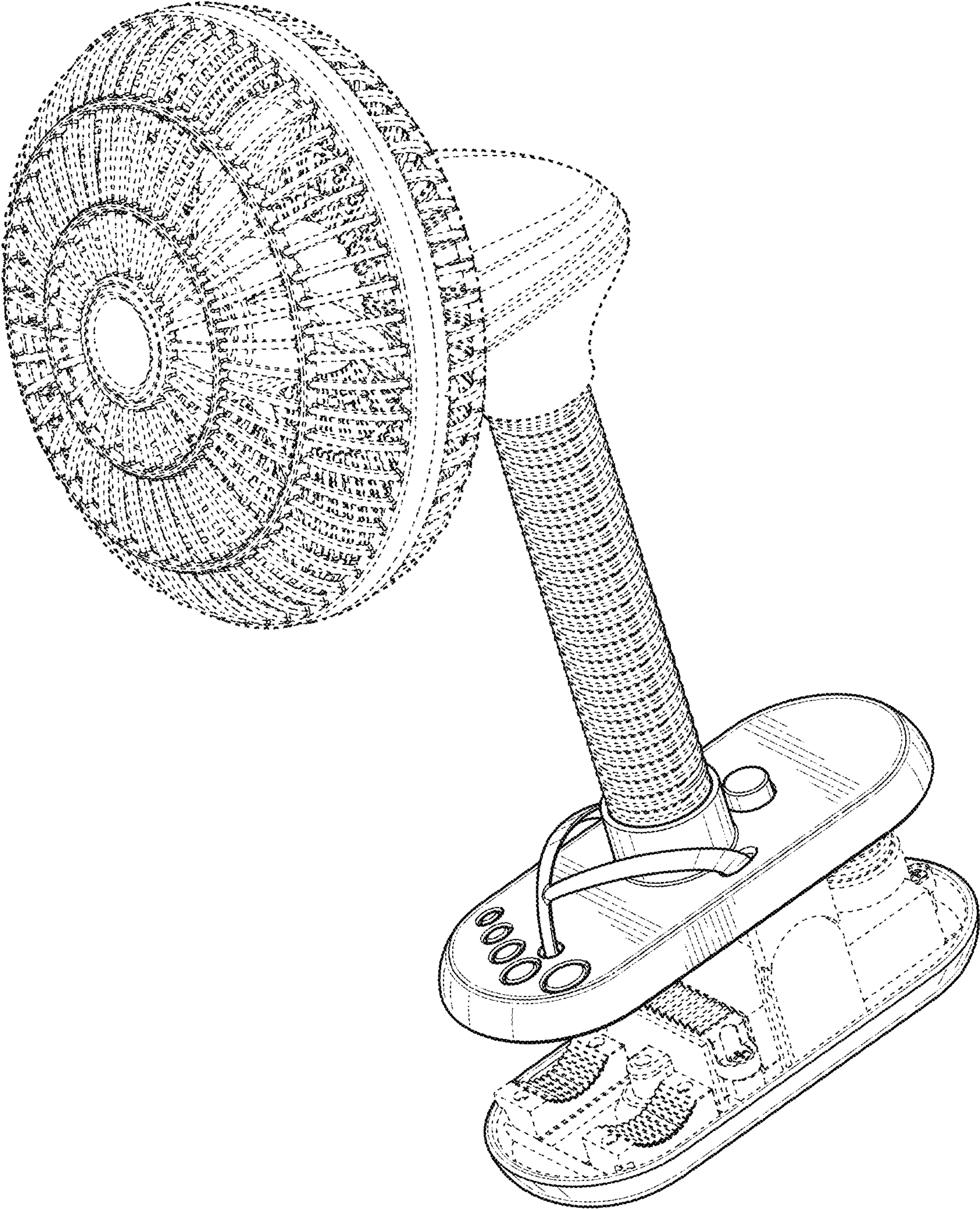


FIG. 1

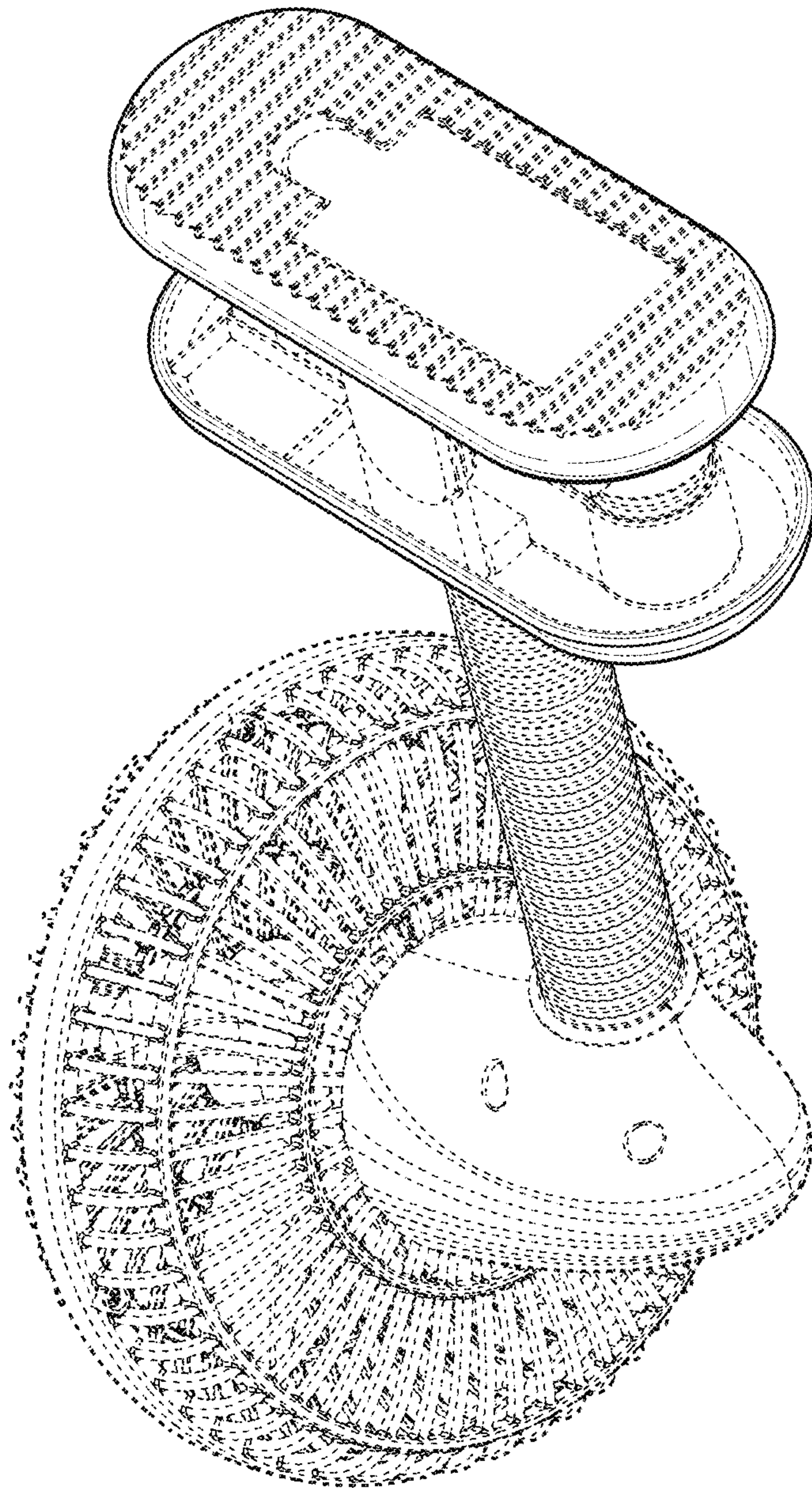


FIG. 2

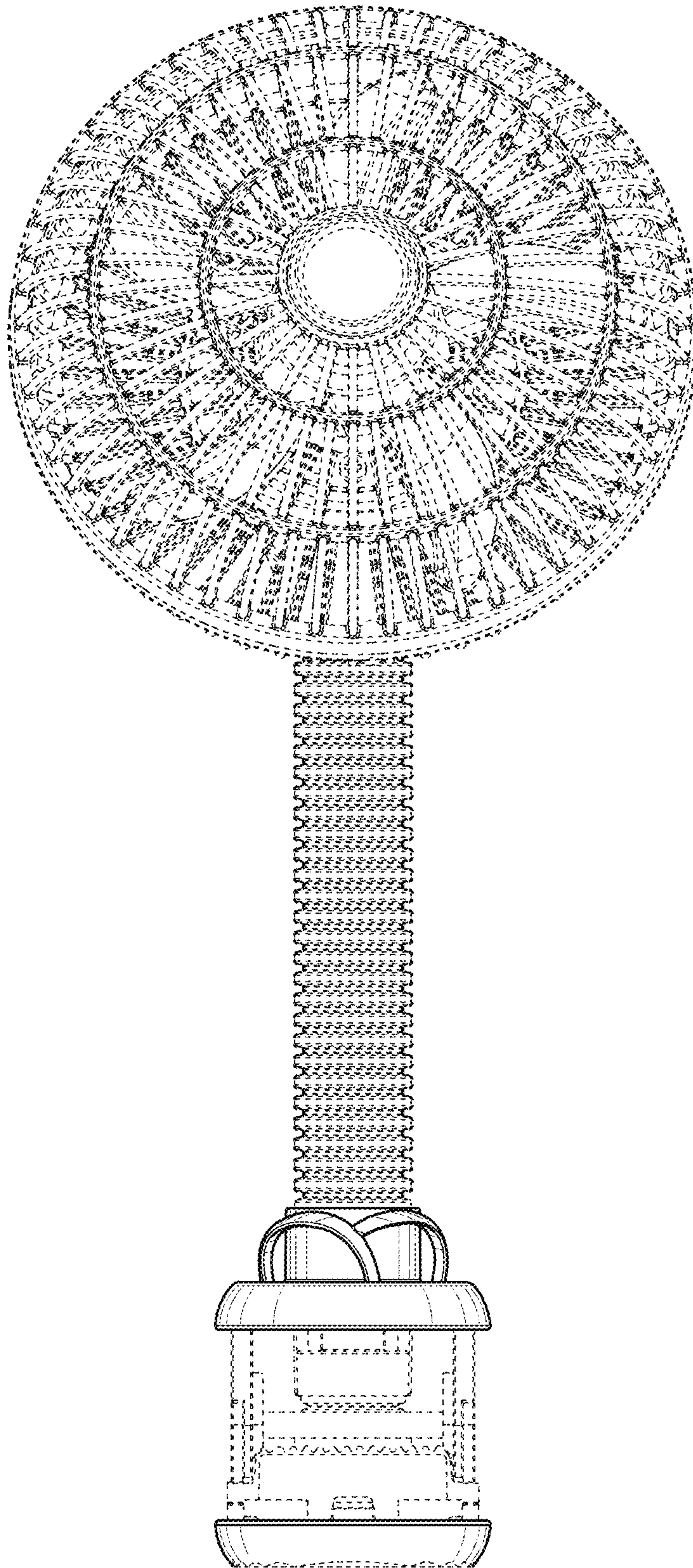


FIG. 3

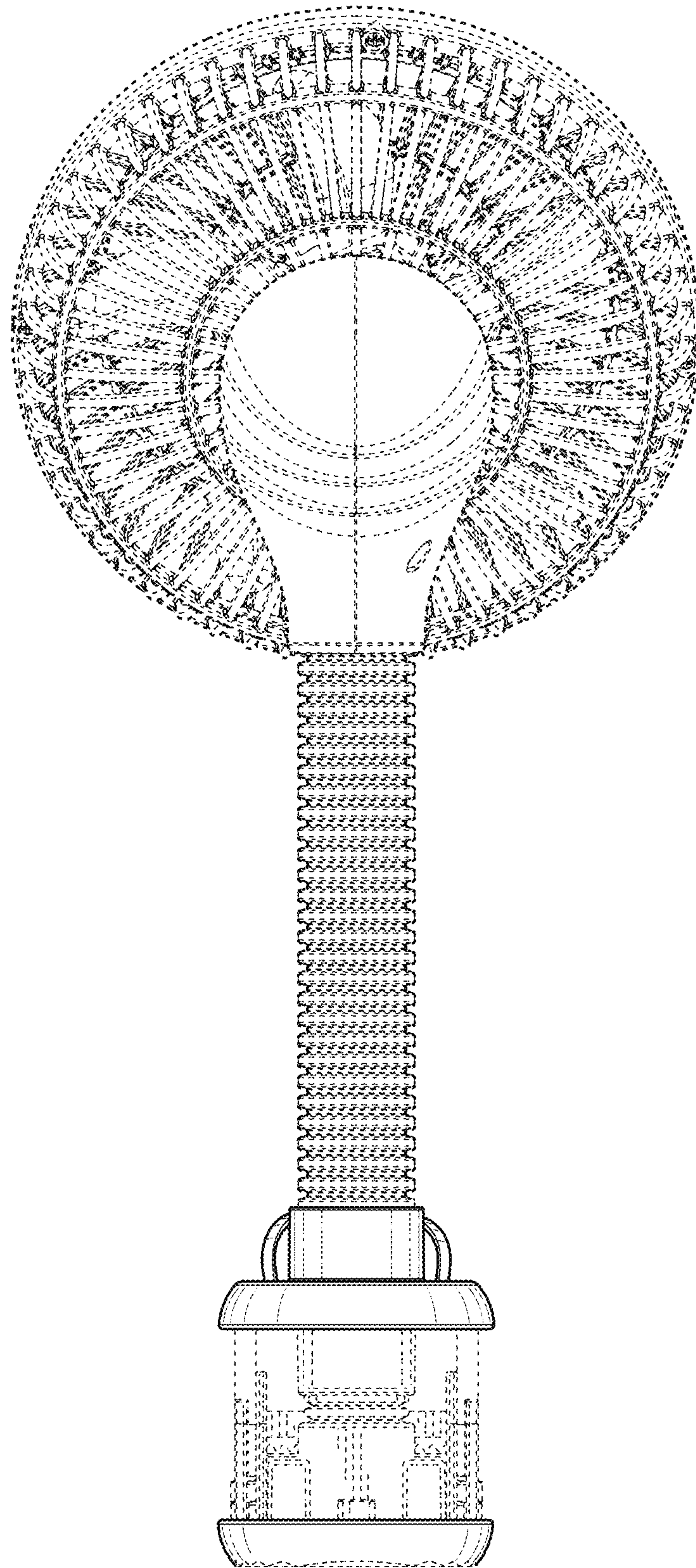


FIG. 4

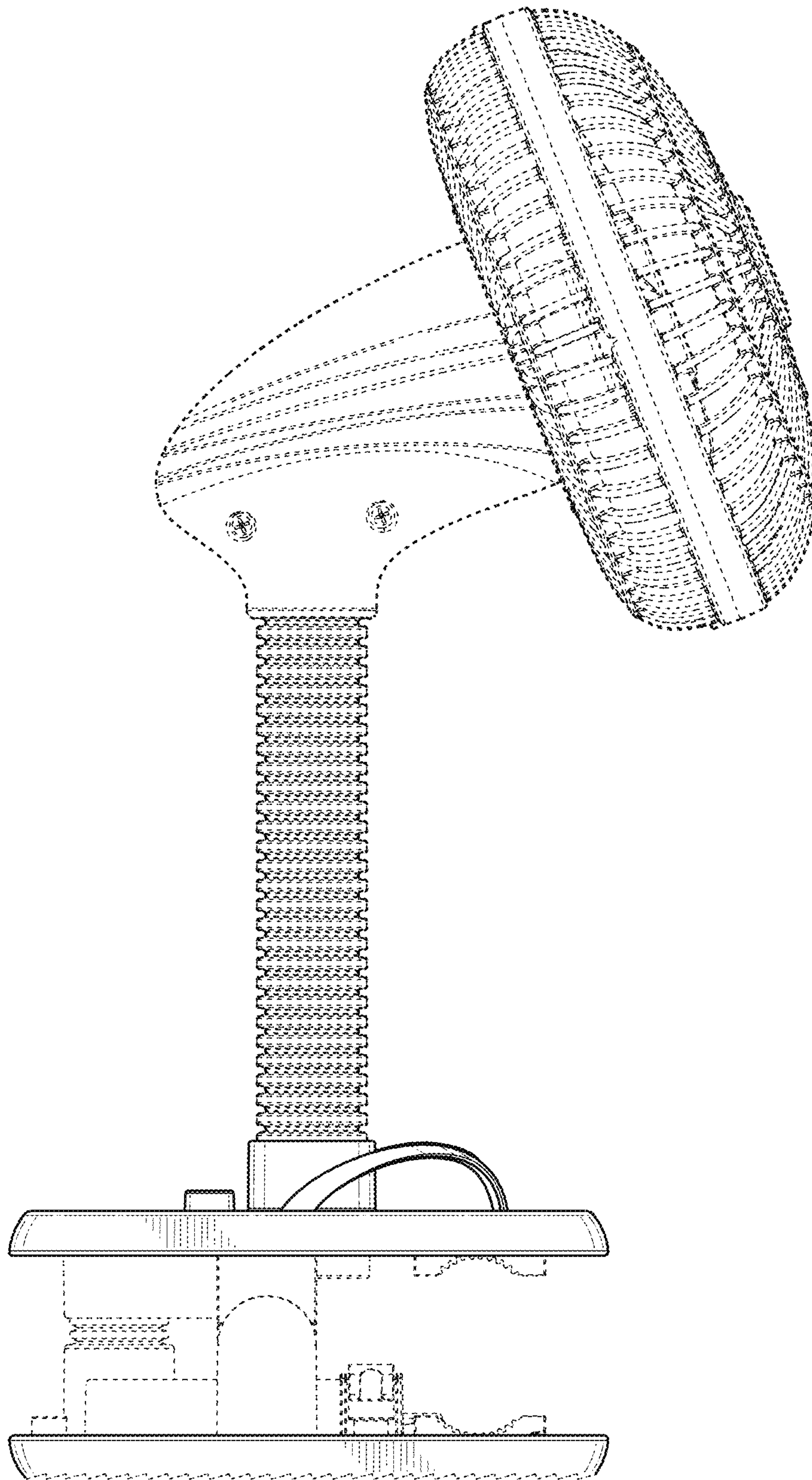


FIG. 5

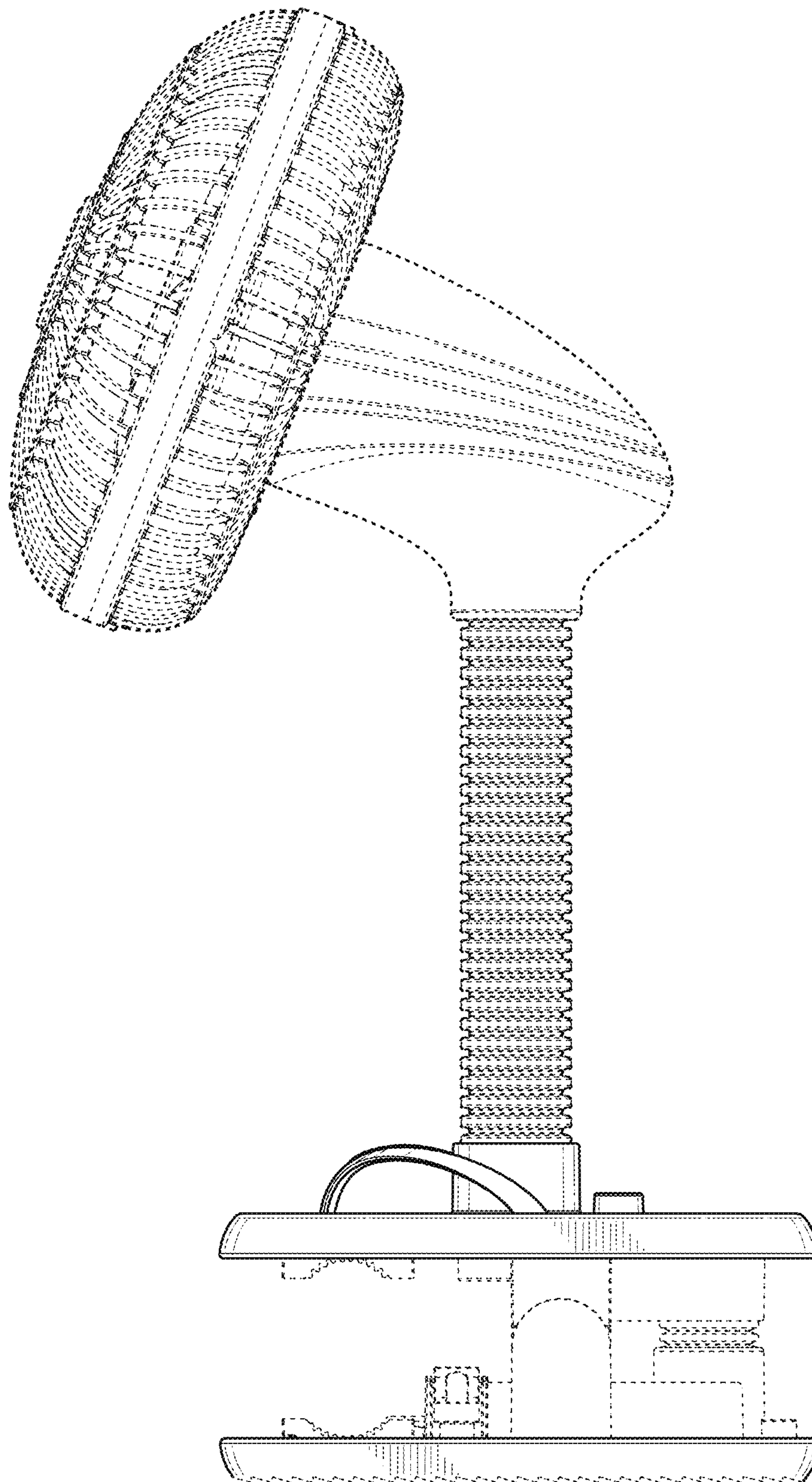


FIG. 6

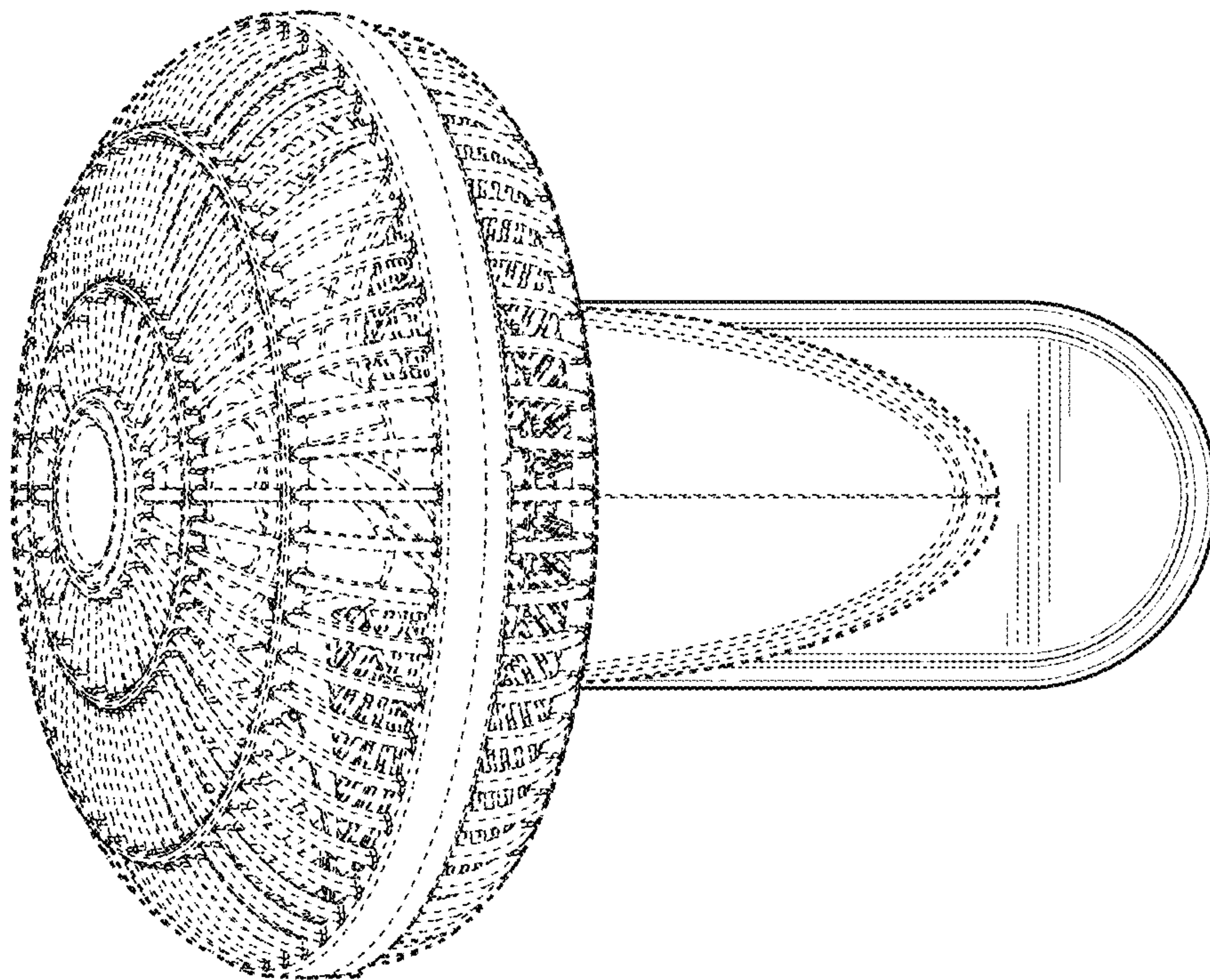


FIG. 7

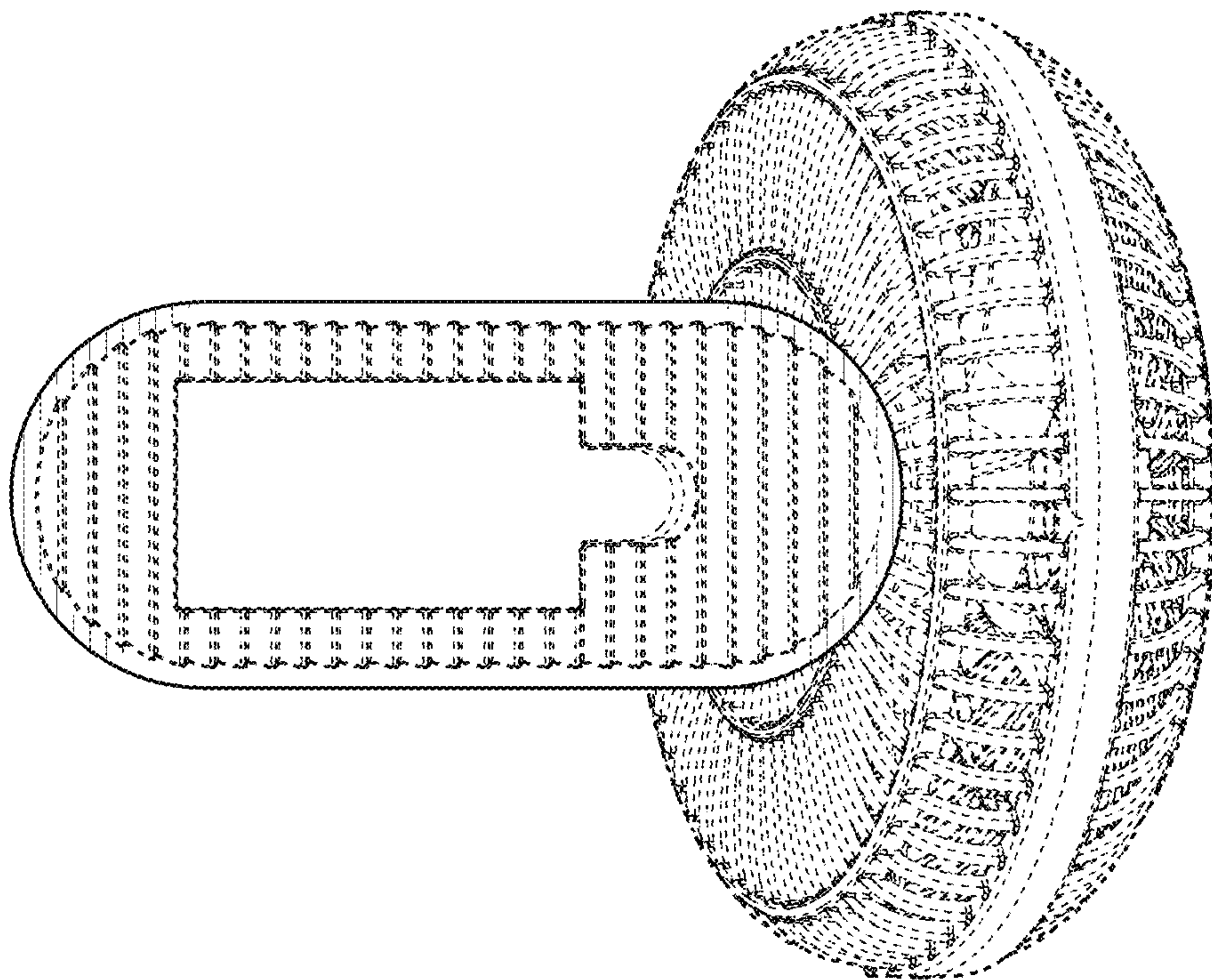


FIG. 8