



US00D799019S

(12) **United States Design Patent**  
**Schrock et al.**

(10) **Patent No.:** **US D799,019 S**

(45) **Date of Patent:** **\*\* Oct. 3, 2017**

(54) **CONDENSER EXHAUST HOOD**

(71) Applicant: **OY HALTON GROUP LTD.**, Helsinki (FI)

(72) Inventors: **Derek W. Schrock**, Bowling Green, KY (US); **Chou Shen**, Shanghai (CN)

(73) Assignee: **OY HALTON GROUP LTD.**, Helsinki (FI)

(\*\*) Term: **15 Years**

(21) Appl. No.: **29/540,814**

(22) Filed: **Sep. 28, 2015**

(51) **LOC (10) Cl.** ..... **23-04**

(52) **U.S. Cl.**

USPC ..... **D23/371**

(58) **Field of Classification Search**

USPC ..... D23/370, 355, 314

CPC ..... F24F 13/06; F24F 13/20; F24F 13/22

See application file for complete search history.

(56) **References Cited**

**U.S. PATENT DOCUMENTS**

D390,648 S \* 2/1998 Woodall, III ..... D23/371

D396,277 S \* 7/1998 Wallace ..... D23/371

D397,431 S \* 8/1998 Meyer ..... D23/371

D699,831 S \* 2/2014 Funnell, II ..... D23/371

D746,970 S \* 1/2016 Sandusky ..... D23/371

D747,314 S \* 1/2016 Sandusky ..... D23/371

\* cited by examiner

*Primary Examiner* — Cynthia Underwood

(74) *Attorney, Agent, or Firm* — Potomac Law Group, PLLC; Mark Catan

(57) **CLAIM**

The ornamental design for a condenser exhaust hood, as shown and described.

**DESCRIPTION**

FIG. 1 is a bottom front perspective view of the condenser exhaust hood, showing the new design;

FIG. 2 is a bottom rear perspective view thereof;

FIG. 3 is a front elevational view thereof;

FIG. 4 is a rear elevational view thereof;

FIG. 5 is a side elevational view thereof;

FIG. 6 is another side elevational view thereof;

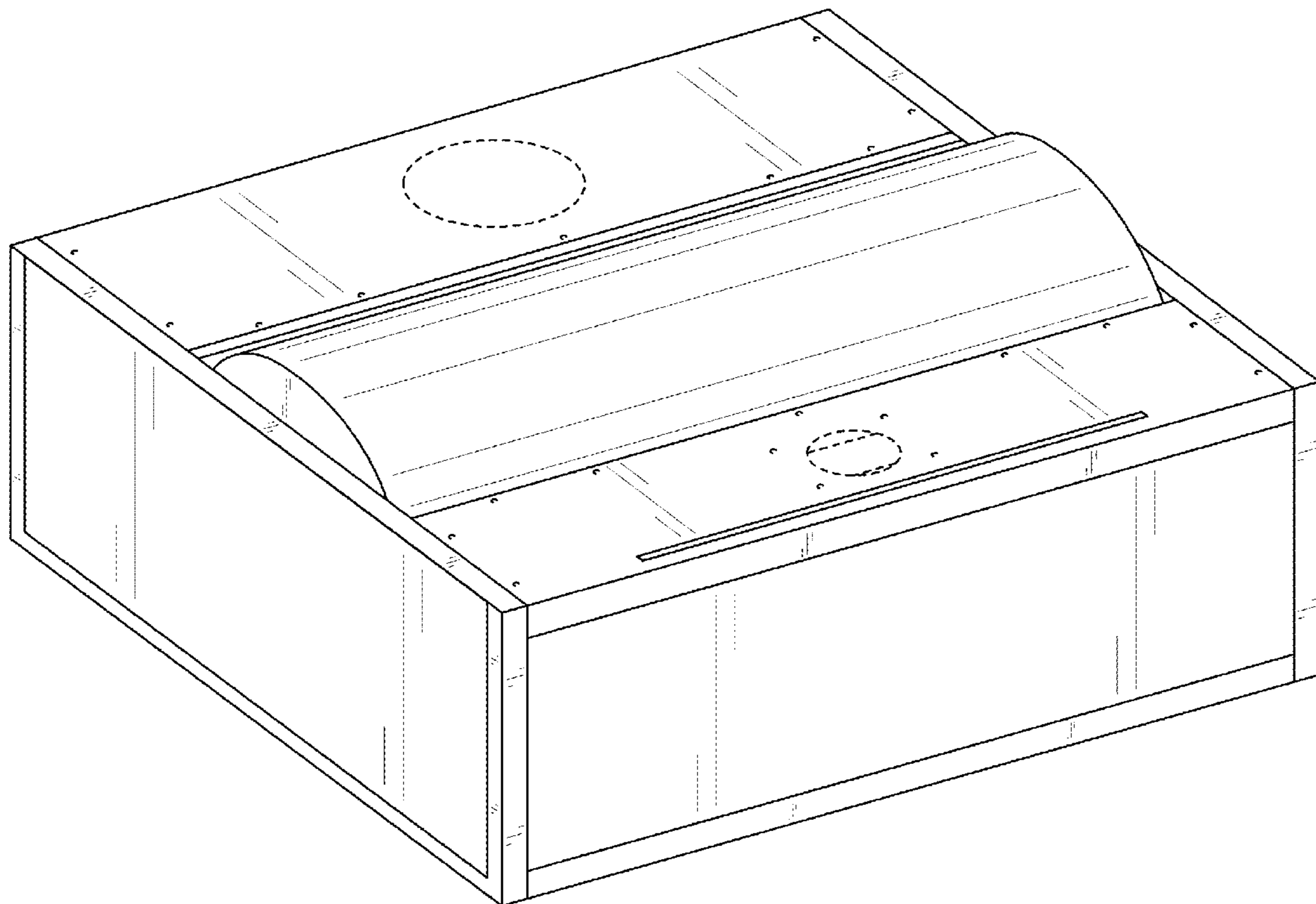
FIG. 7 is a top plan view thereof;

FIG. 8 is a bottom plan view thereof; and,

FIG. 9 is a top front perspective view thereof.

The broken lines are included for the purpose of illustrating unclaimed portions of the condenser exhaust hood and form no part of the claimed design.

**1 Claim, 7 Drawing Sheets**



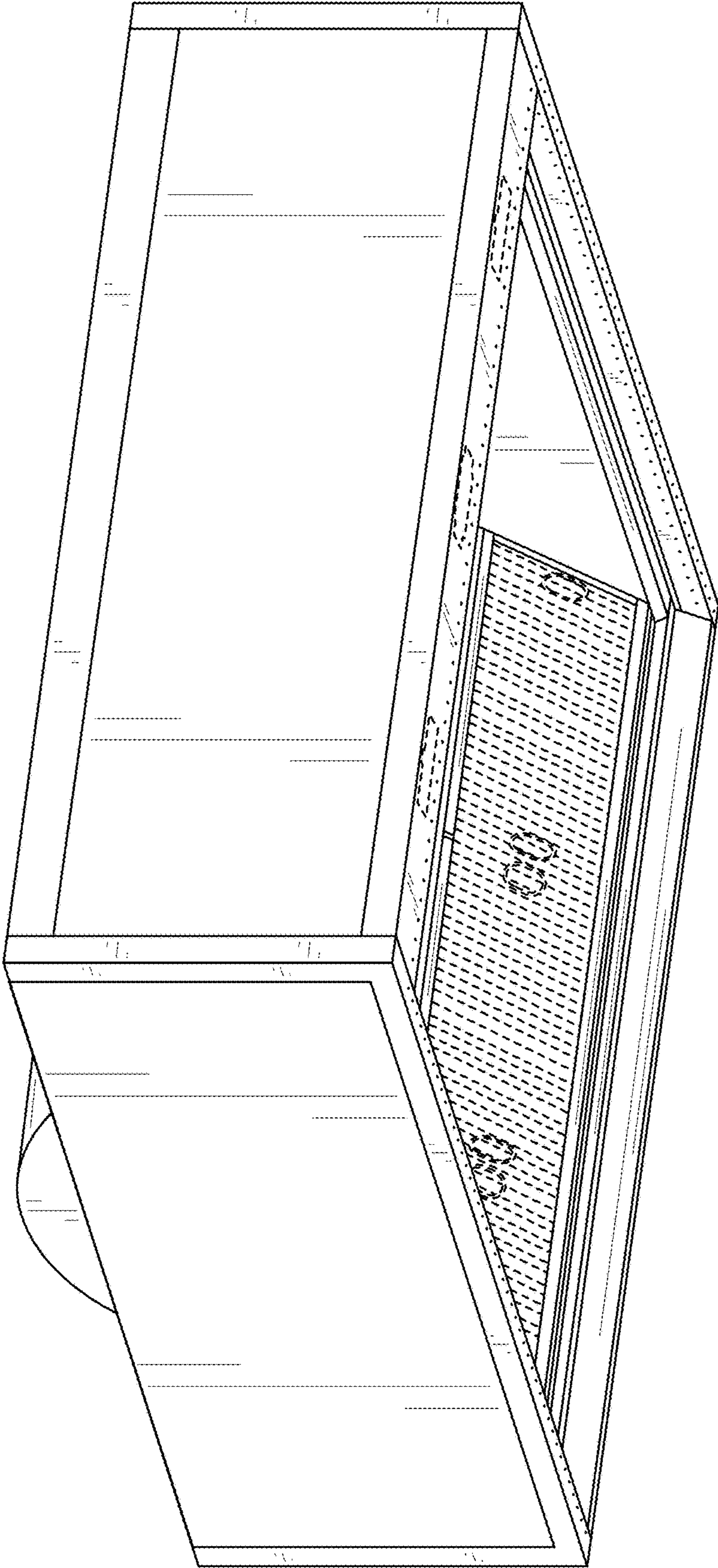


FIG. 1

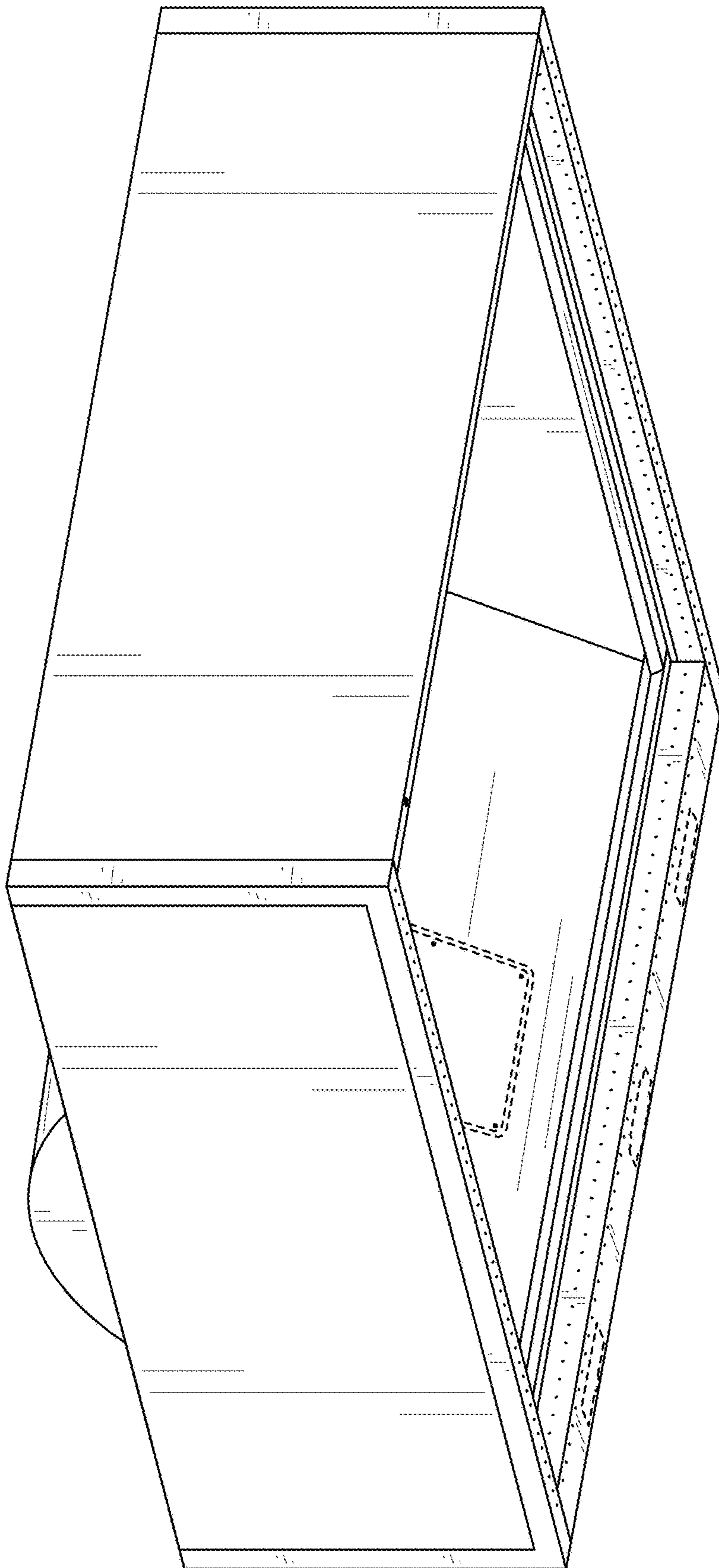


FIG. 2

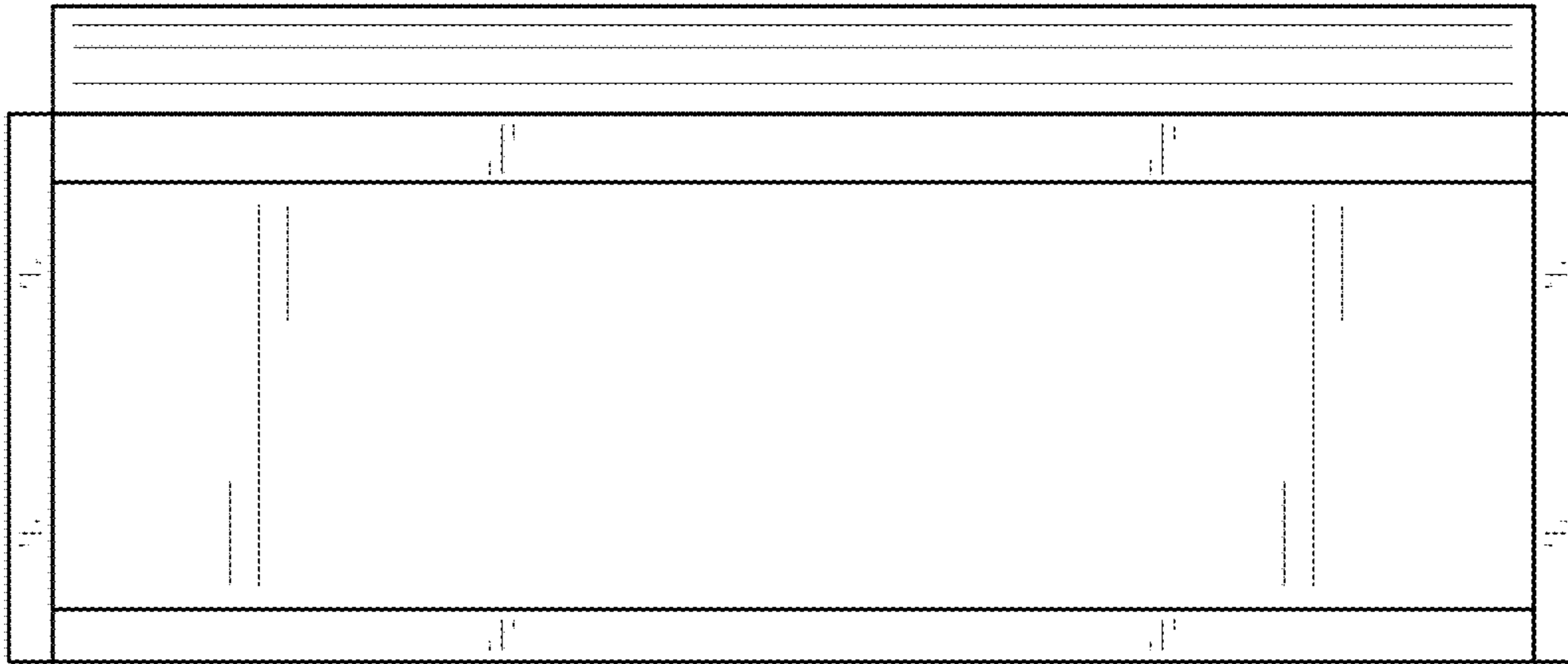


FIG. 3

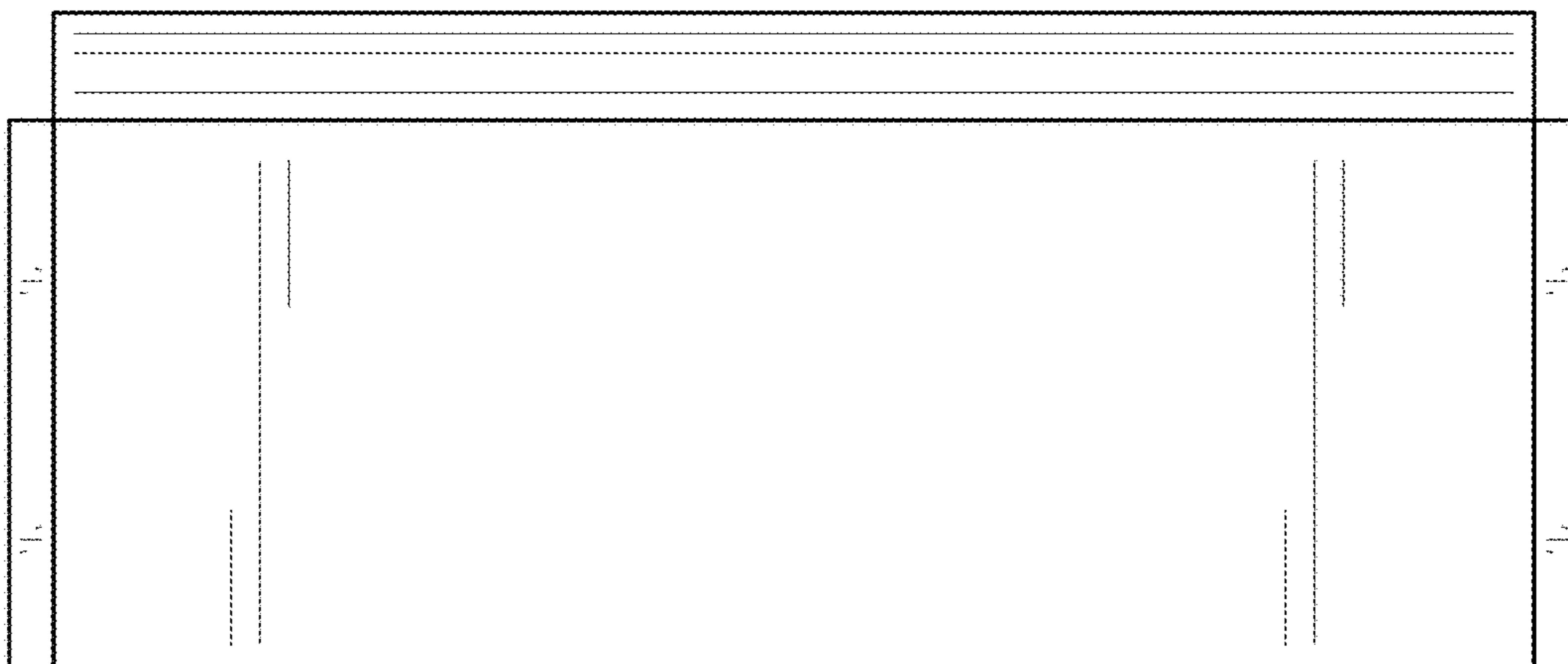


FIG. 4

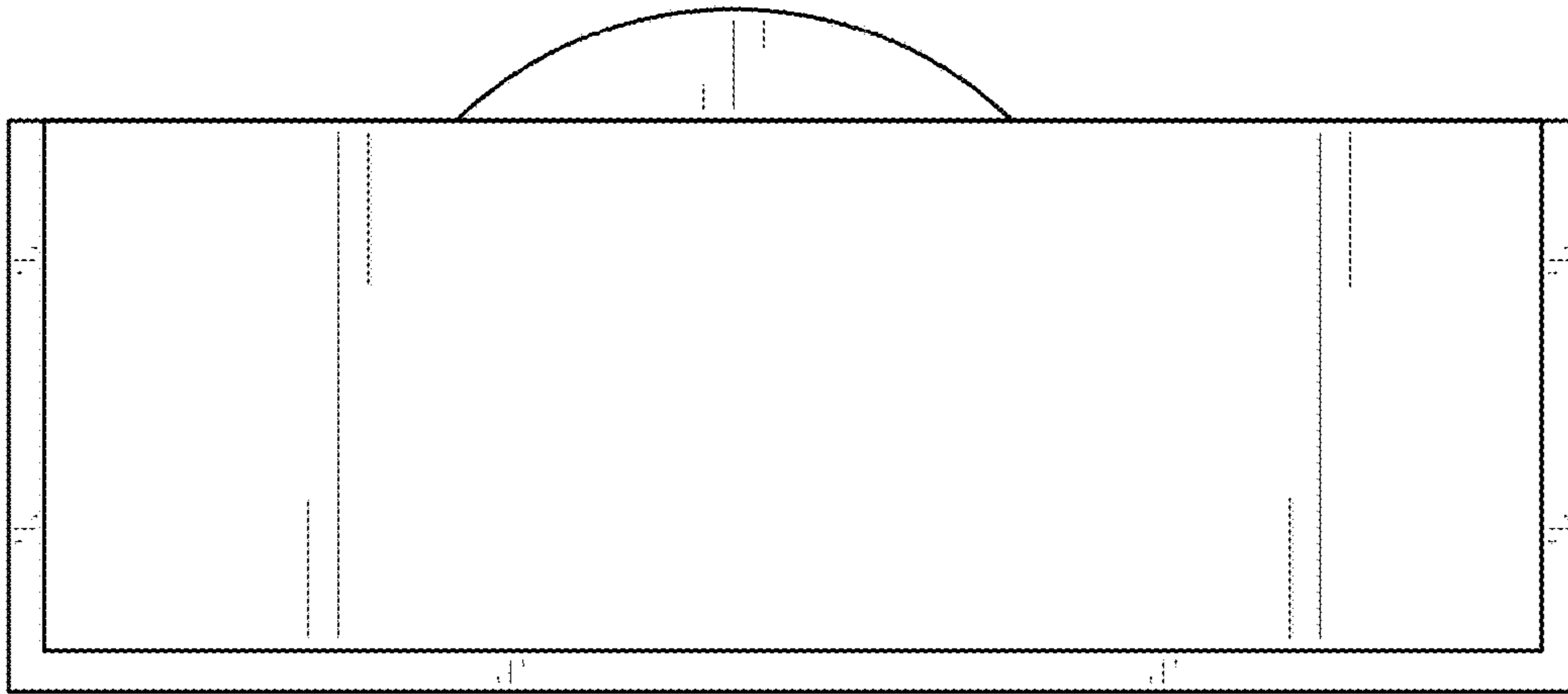


FIG. 5

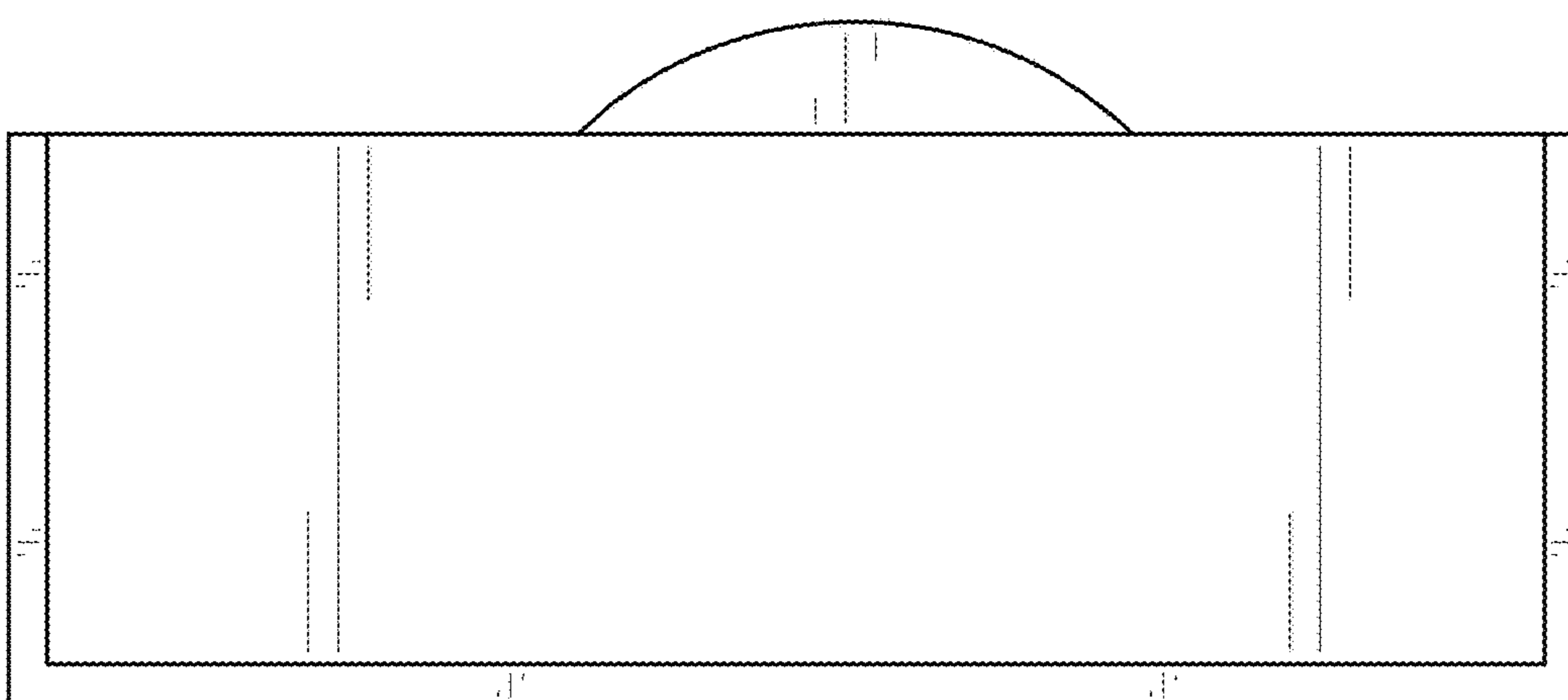


FIG. 6

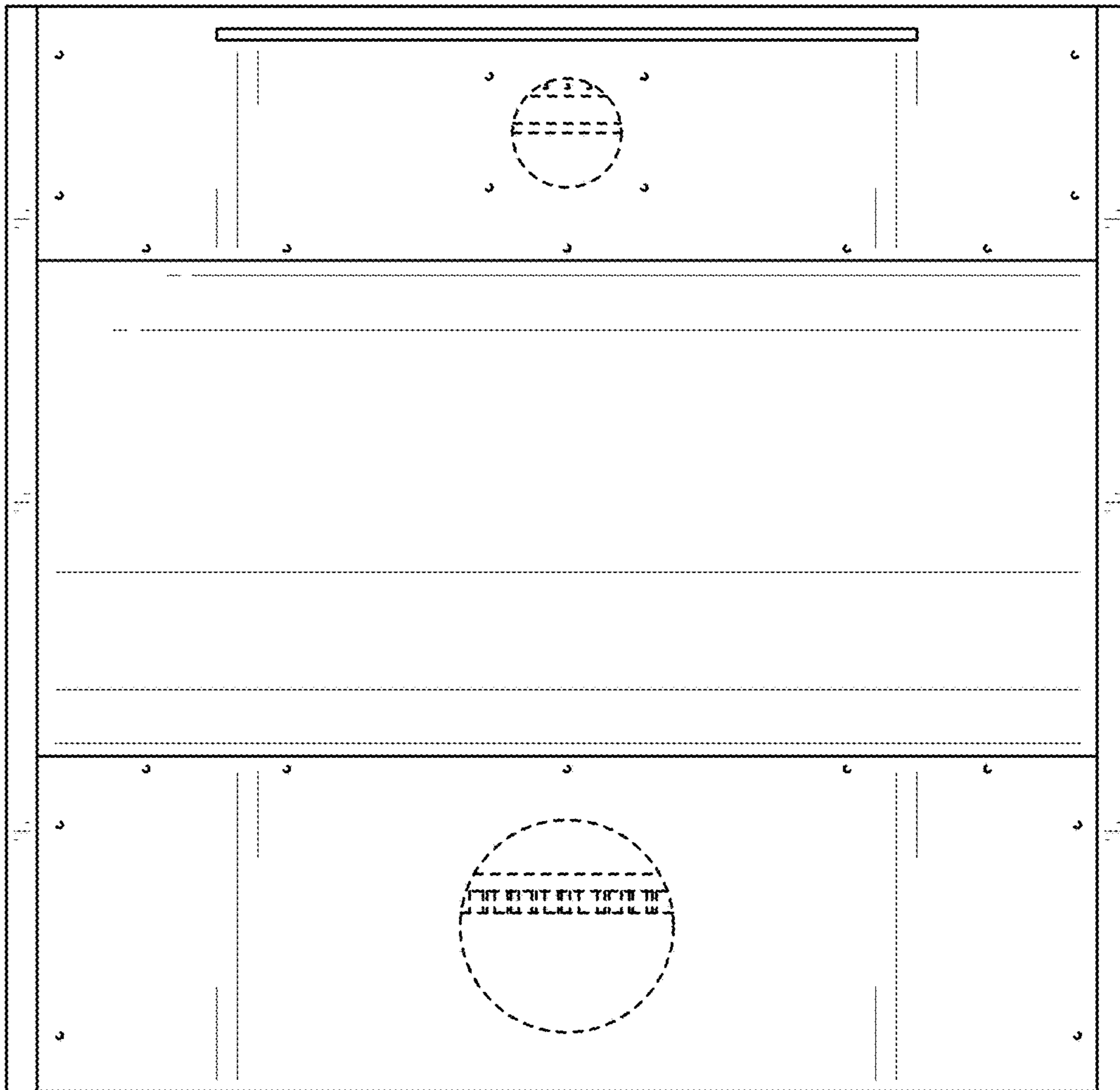


FIG. 7

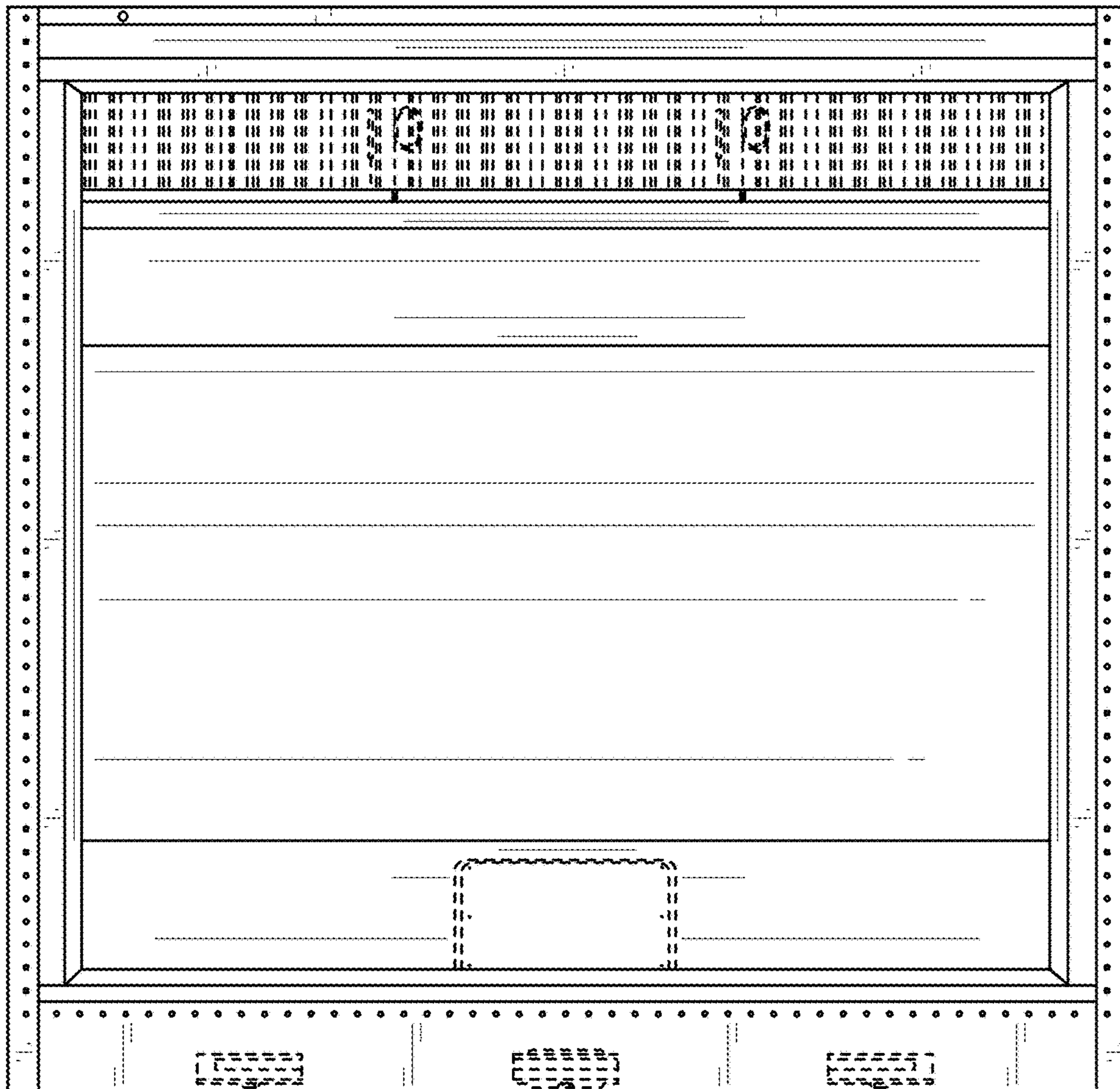


FIG. 8

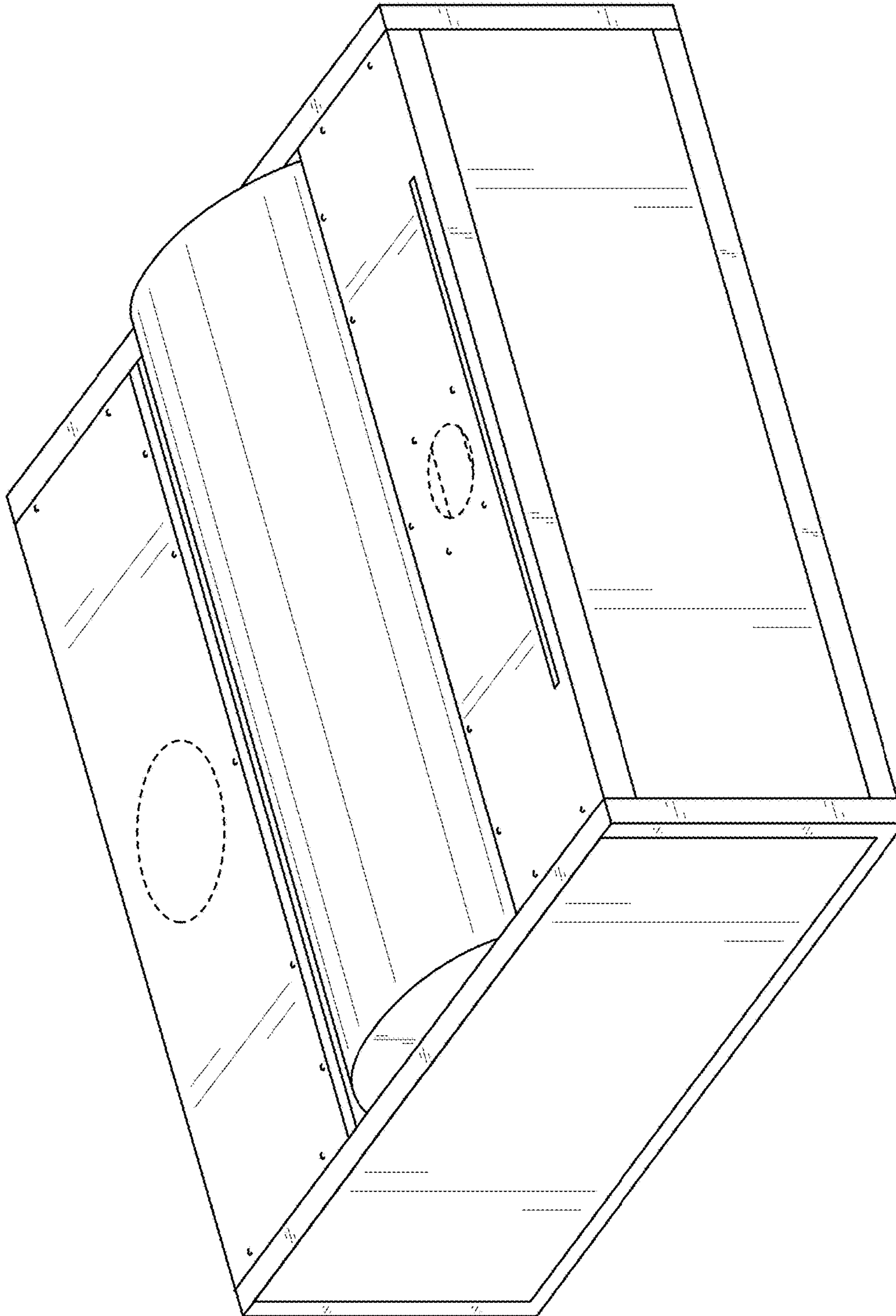


FIG. 9