



US00D799018S

(12) **United States Design Patent**
Kim et al.

(10) **Patent No.:** **US D799,018 S**

(45) **Date of Patent:** **** Oct. 3, 2017**

(54) **DEODORIZER FOR REFRIGERATOR**

(71) Applicant: **Samsung Electronics Co., Ltd.**,
Suwon-si (KR)

(72) Inventors: **Jang-Won Kim**, Gwangju (KR);
Jun-Kyo Lee, Seongnam-si (KR)

(73) Assignee: **Samsung Electronics Co., Ltd.**,
Suwon-si (KR)

(**) Term: **15 Years**

(21) Appl. No.: **29/564,375**

(22) Filed: **May 12, 2016**

(30) **Foreign Application Priority Data**

Nov. 25, 2015 (KR) 30-2015-0059353

(51) **LOC (10) Cl.** **28-99**

(52) **U.S. Cl.**
USPC **D23/366; D23/370; D23/388**

(58) **Field of Classification Search**
USPC D23/209, 351, 354, 355-358, 361-371,
D23/385, 386, 391, 393
CPC F24F 2003/1685; F24F 3/161; F24F
2003/1625; F24F 2003/1664; A61L
9/014; A61L 9/00; A61L 9/015; A61L
9/22

See application file for complete search history.

(56) **References Cited**

U.S. PATENT DOCUMENTS

D190,891 S *	7/1961	Mobley	D23/370
D254,566 S *	3/1980	Cummins	D23/370
D270,275 S *	8/1983	Morrow	D23/354
D377,390 S *	1/1997	Ketcham	D23/328
D407,478 S *	3/1999	Wilson, Jr.	D23/370
D448,462 S *	9/2001	Nanjo	D23/351
D449,879 S *	10/2001	Sobala	D23/365
D450,825 S *	11/2001	Nakamura	D23/364

D452,904 S *	1/2002	Peng	D23/370
D452,905 S *	1/2002	Peng	D23/370
D522,640 S *	6/2006	Miro	D23/366
D549,311 S *	8/2007	Yoo	D23/351
D559,370 S *	1/2008	Kato	D23/354
D566,262 S *	4/2008	Zakula	D23/388
D567,354 S *	4/2008	Jacak	D23/388
D568,460 S *	5/2008	Jacak	D23/388
D570,980 S *	6/2008	Isono	D23/366
D575,860 S *	8/2008	Wu	D23/366
D581,507 S *	11/2008	Schwartz	D23/366
D592,948 S *	5/2009	Mayer	D23/359

(Continued)

Primary Examiner — Caron D Veynar

Assistant Examiner — Mehri Bajoul

(74) *Attorney, Agent, or Firm* — NSIP Law

(57) **CLAIM**

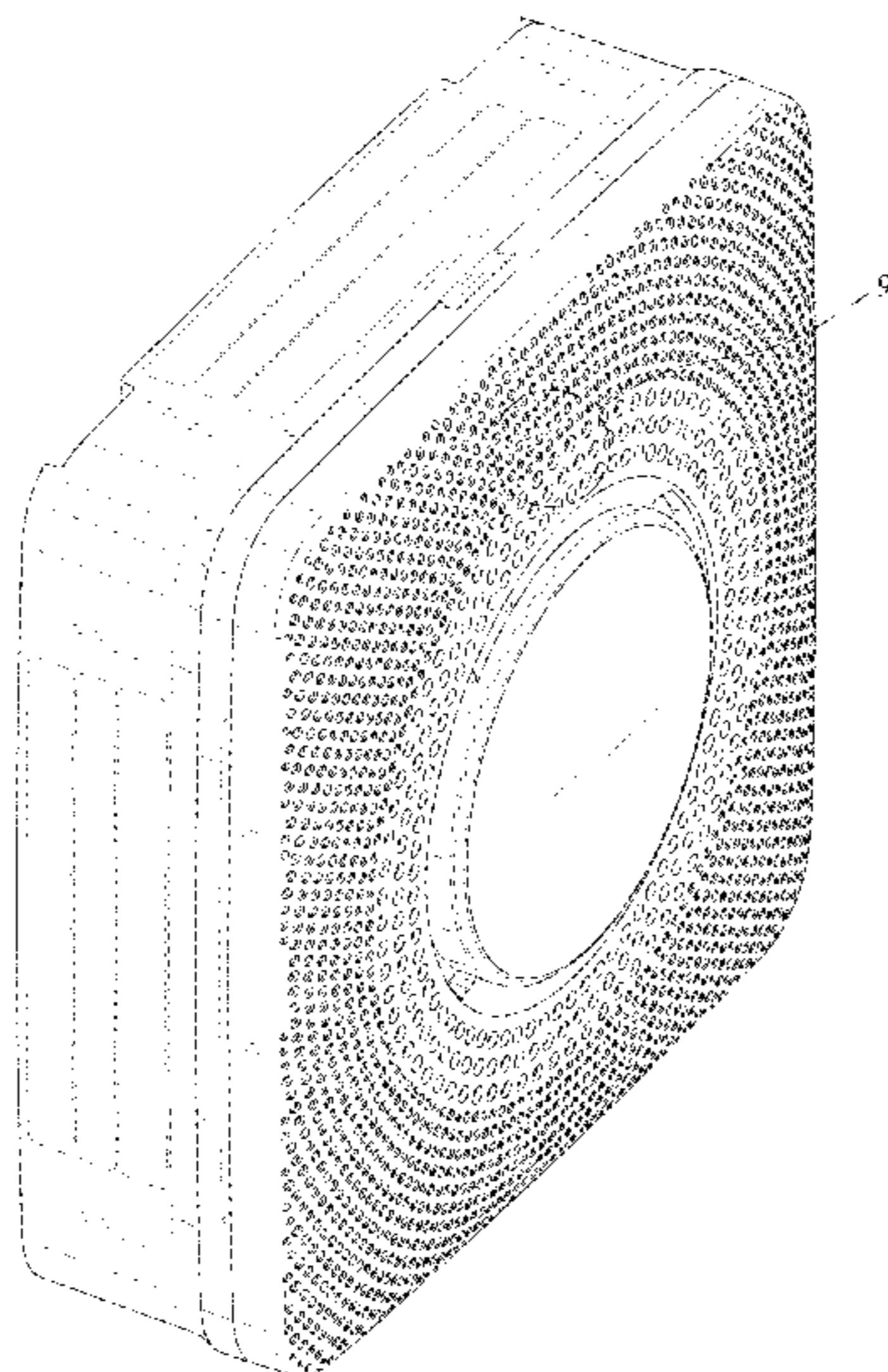
We claim the ornamental design for a deodorizer for refrigerator, as shown and described.

DESCRIPTION

FIG. 1 is a front perspective view of a deodorizer for refrigerator showing our new design;
 FIG. 2 is a front view thereof;
 FIG. 3 is a rear view thereof;
 FIG. 4 is a left-side view thereof;
 FIG. 5 is a right-side view thereof;
 FIG. 6 is a top view thereof;
 FIG. 7 is a bottom view thereof;
 FIG. 8 is a rear perspective view thereof;
 FIG. 9 is an enlarged view of the encircled portion of FIG. 1; and,
 FIG. 10 is an enlarged view of the encircled portion of FIG. 2.

The broken lines in the figures show portions of the deodorizer for refrigerator which form no part of the claimed design. The dot-dash lines encircling portions of the claimed design that are illustrated in enlargements form no part of the claimed design.

1 Claim, 7 Drawing Sheets



(56)

References Cited

U.S. PATENT DOCUMENTS

D594,950	S	*	6/2009	Orihara	D23/366
D594,951	S	*	6/2009	Orihara	D23/366
D595,828	S	*	7/2009	Schwartz	D23/366
D606,185	S	*	12/2009	Wefler	D23/366
D606,640	S	*	12/2009	Kim	D23/351
D606,641	S	*	12/2009	Kim	D23/351
D606,642	S	*	12/2009	Weggelaar	D23/366
D609,322	S	*	2/2010	Schwartz	D23/366
D612,473	S	*	3/2010	Valentino	D23/366
D613,391	S	*	4/2010	Schwartz	D23/366
D637,706	S	*	5/2011	Kawai	D23/370
D648,841	S	*	11/2011	Lam	D23/364
D652,132	S	*	1/2012	Orihara	D23/366
D685,900	S	*	7/2013	Sayre	D23/366
D686,721	S	*	7/2013	Wirz	D23/366
D698,018	S	*	1/2014	Choi	D23/366
D711,500	S	*	8/2014	Marchetti	D23/209
D713,516	S	*	9/2014	Belozerova	D23/366
D713,948	S	*	9/2014	Westphal	A61L 9/12
						D23/366
D728,766	S	*	5/2015	Kim	D23/351
D729,367	S	*	5/2015	Markwick	D23/366
D729,368	S	*	5/2015	Markwick	D23/366
D738,479	S	*	9/2015	Storey	D23/366
D741,987	S	*	10/2015	Gamble	D23/366
D754,316	S	*	4/2016	Yasuoka	D23/366
D754,317	S	*	4/2016	Yasuoka	D23/366
D768,608	S	*	10/2016	Moon	D14/240
D771,134	S	*	11/2016	Lee	D14/492
D774,174	S	*	12/2016	Chapman	D23/370
D774,635	S	*	12/2016	Kruska	D23/366

* cited by examiner

FIG. 1

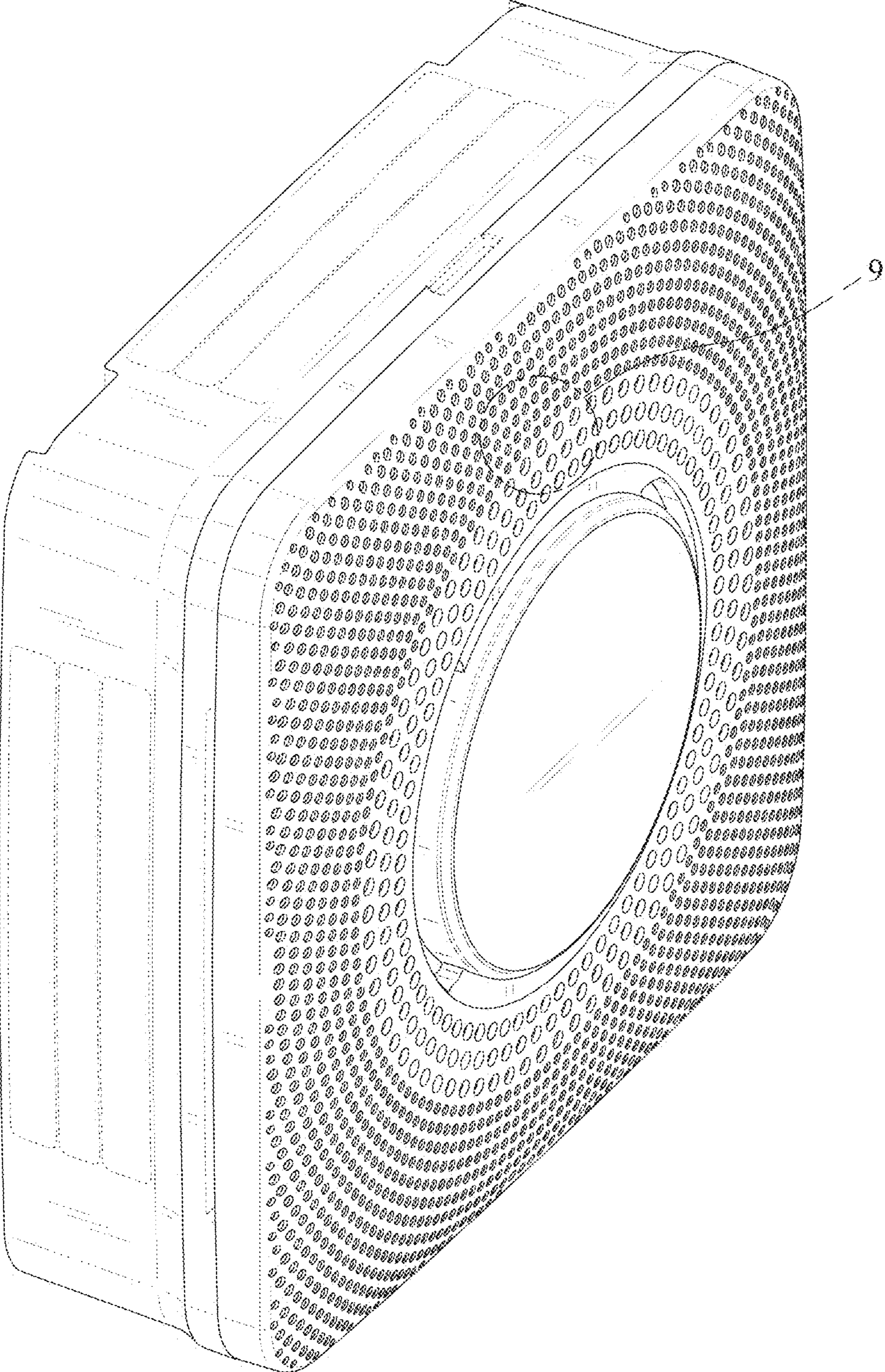


FIG. 2

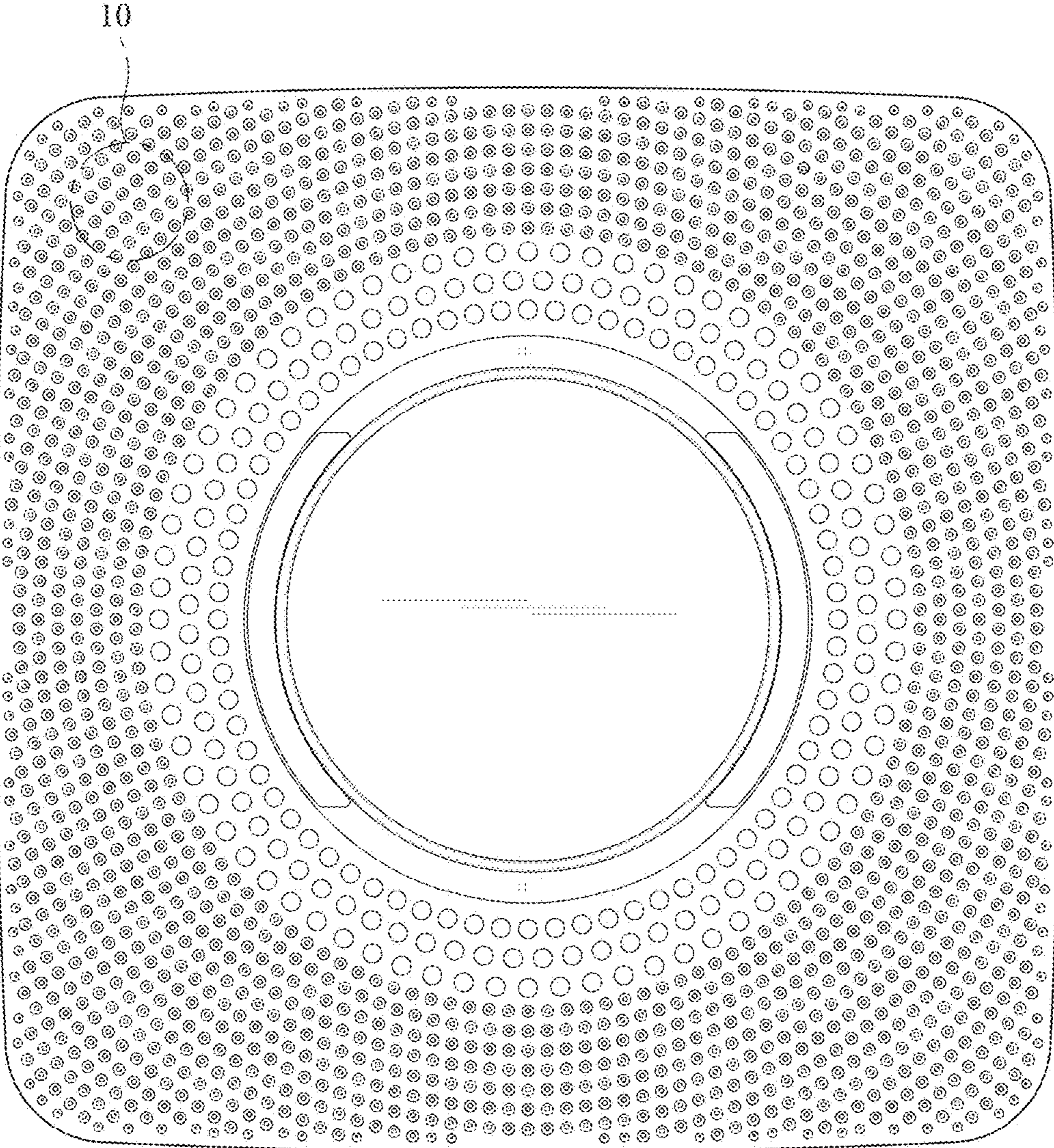


FIG. 3

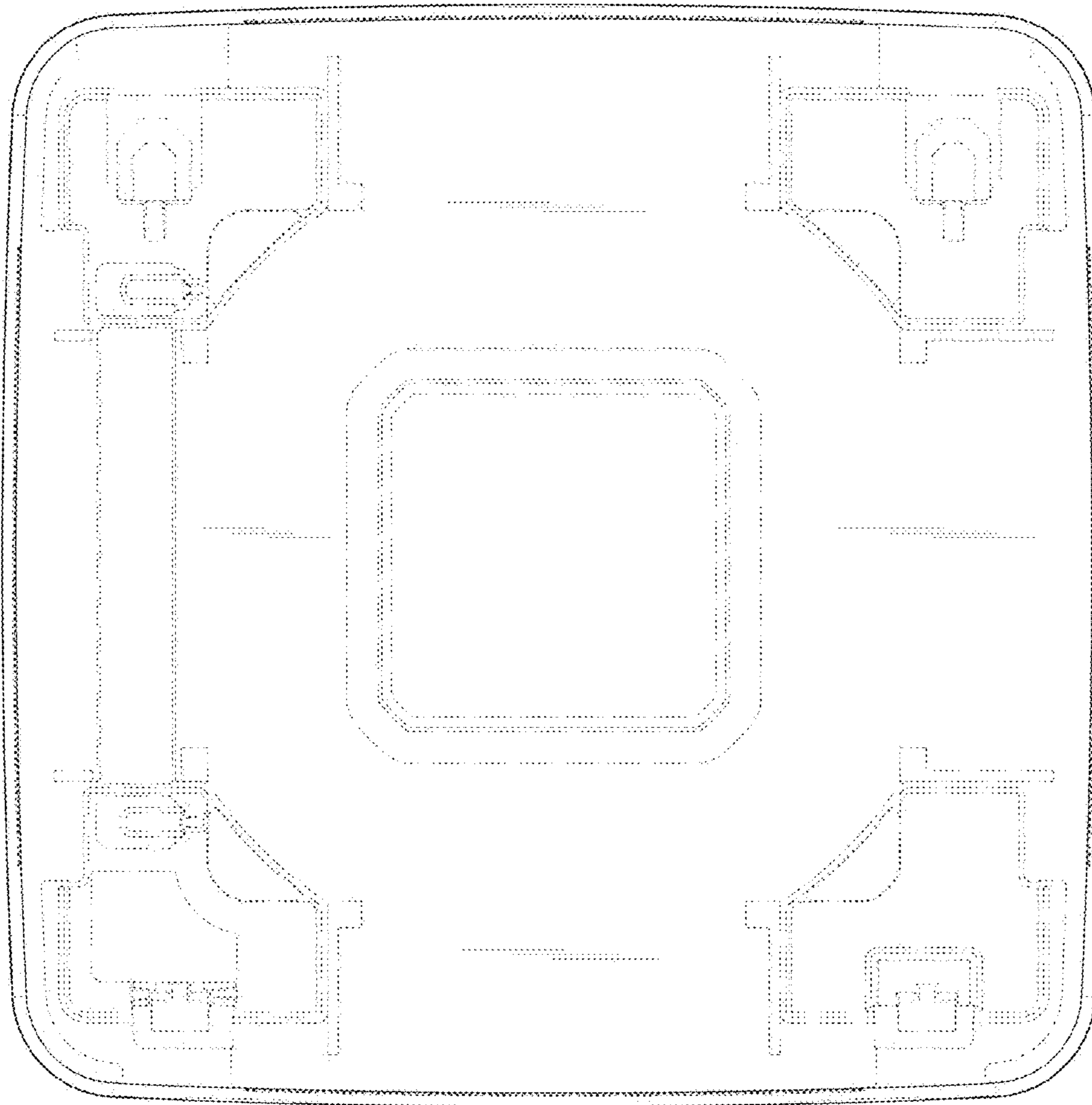


FIG. 4

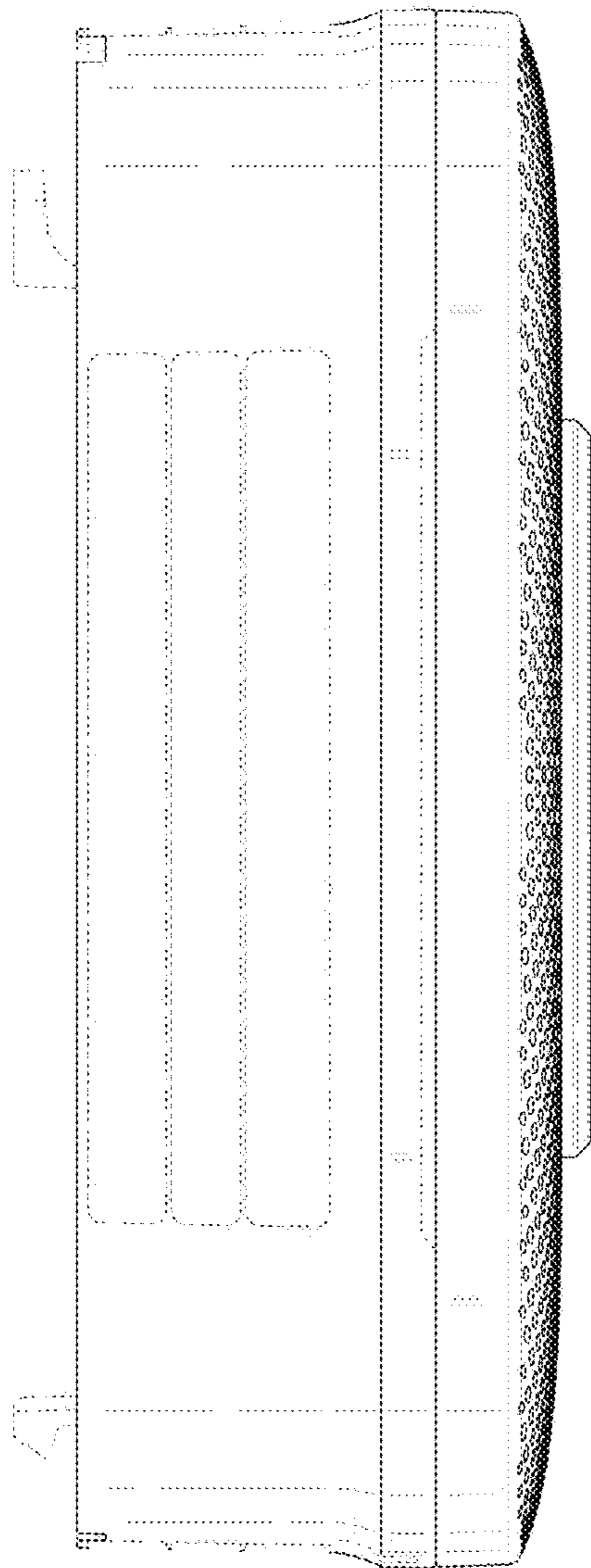


FIG. 5

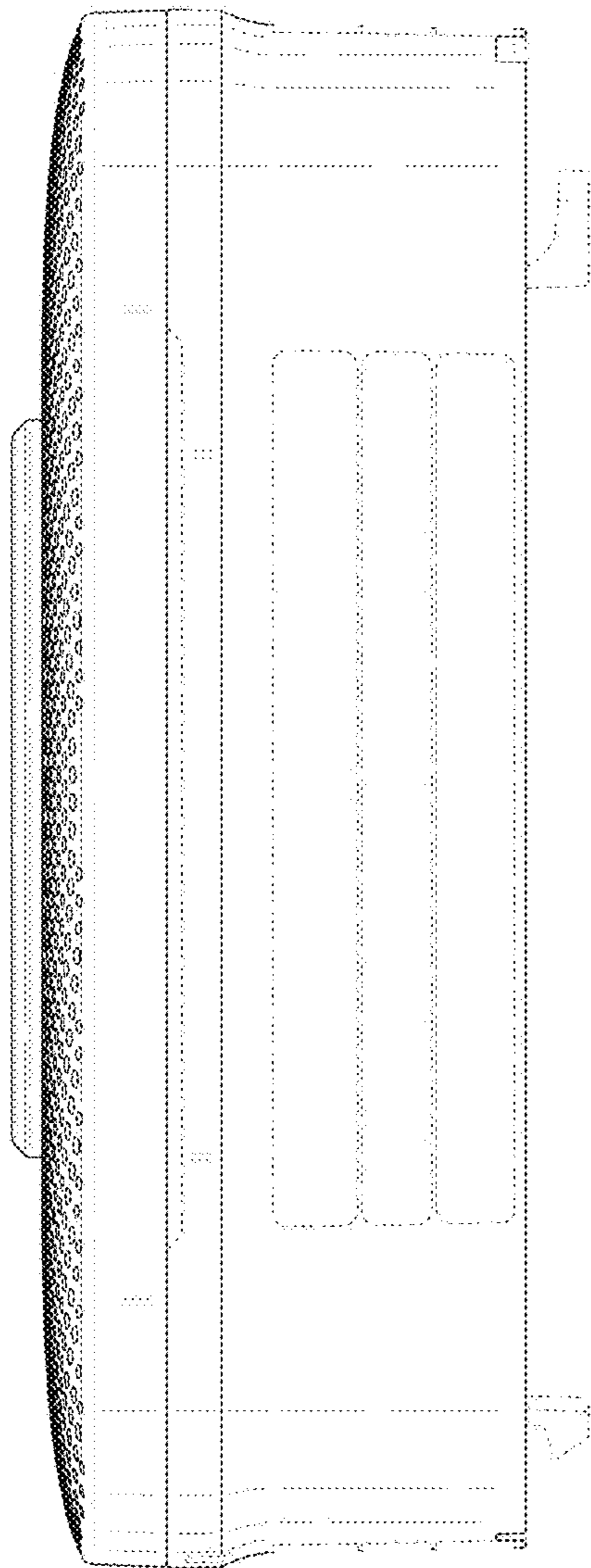


FIG. 6

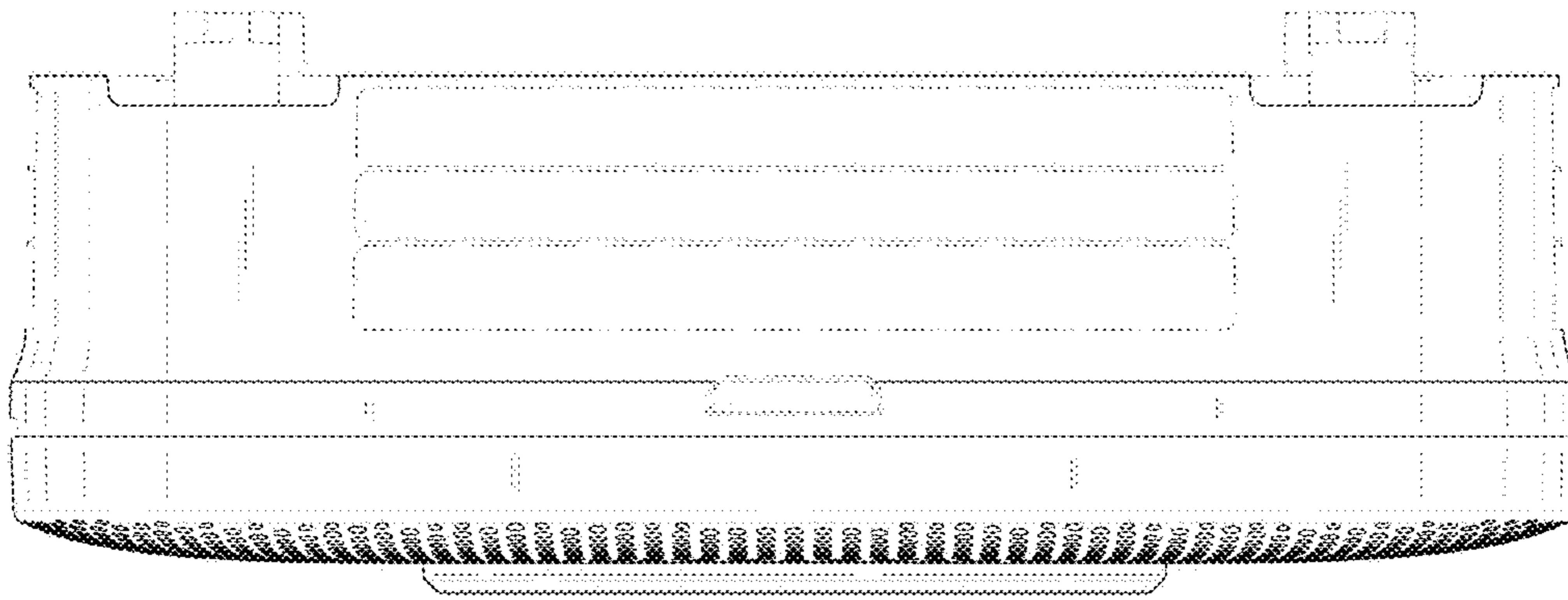


FIG. 7

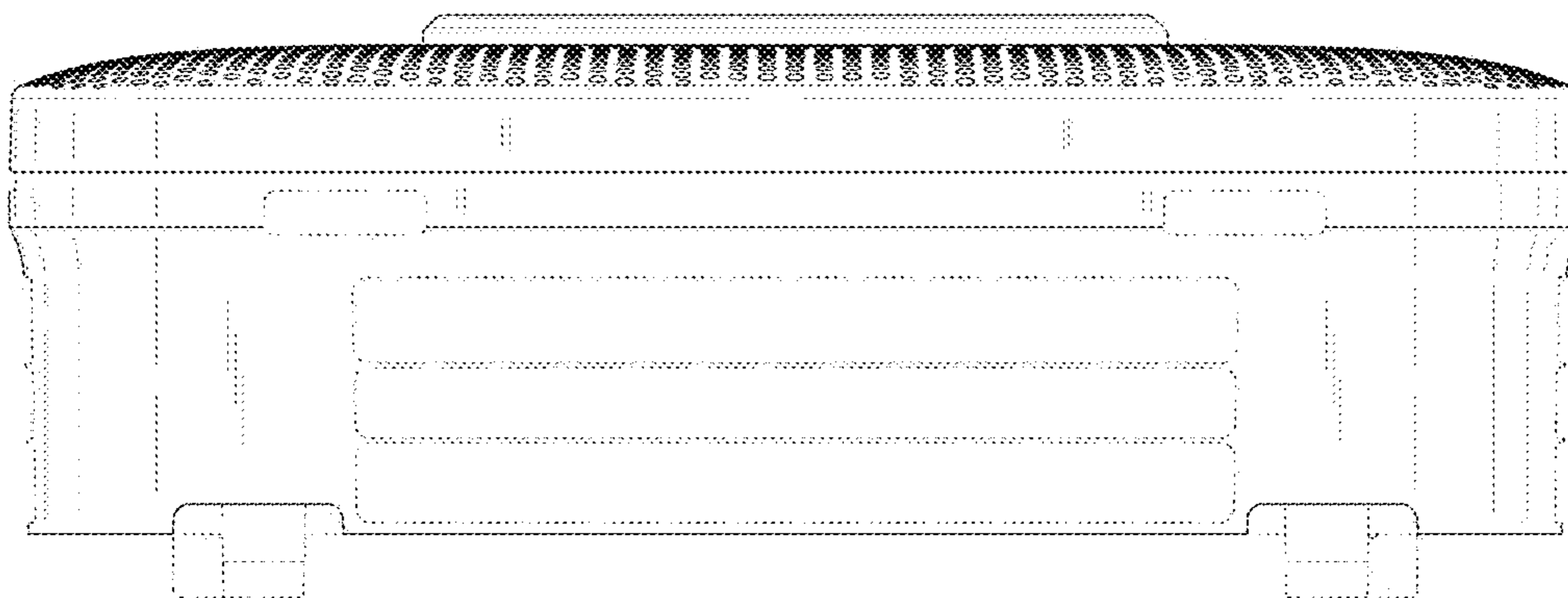


FIG. 8

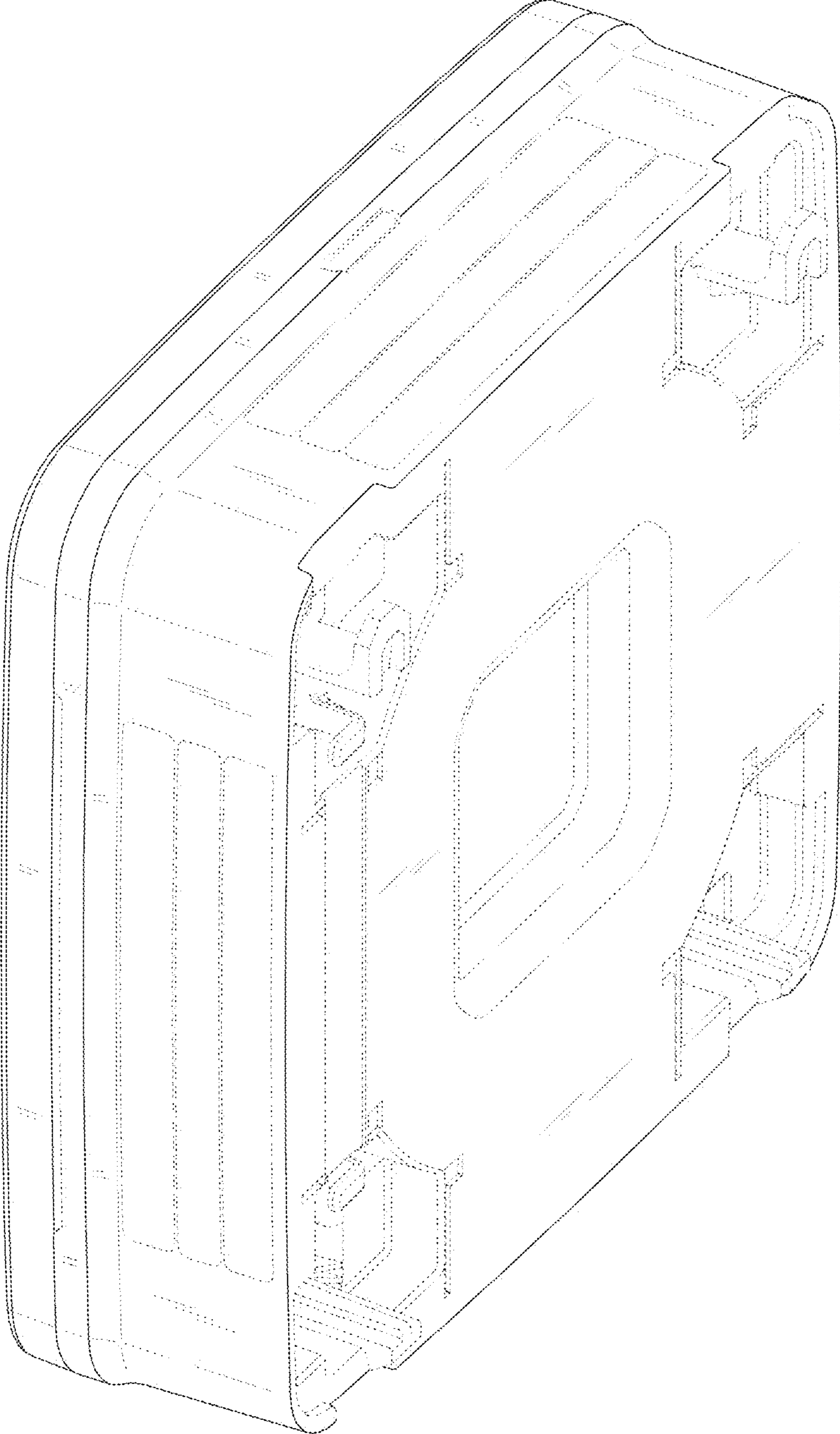


FIG. 9

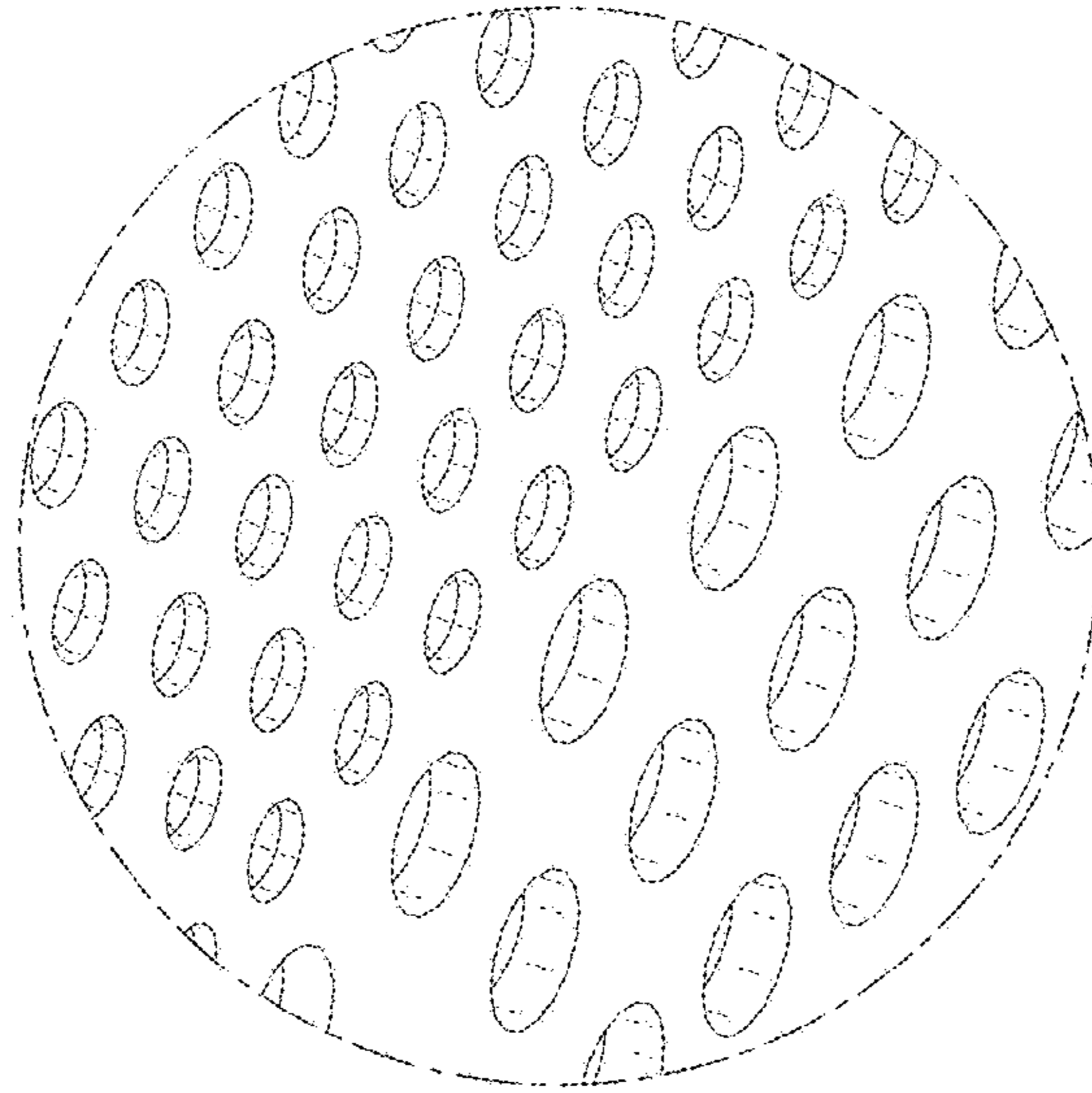


FIG. 10

