



US00D799017S

(12) **United States Design Patent** (10) **Patent No.:** **US D799,017 S**  
**Göransson** (45) **Date of Patent:** **\*\* Oct. 3, 2017**

(54) **AIR PURIFIER**  
(71) Applicant: **Toul Meditech AB**, Västerås (SE)  
(72) Inventor: **Magnus Göransson**, Malmö (SE)  
(73) Assignee: **Toul Meditech AB**, Västerås (SE)  
(\*\*) Term: **15 Years**  
(21) Appl. No.: **29/565,179**  
(22) Filed: **May 18, 2016**

D417,299 S \* 11/1999 Hussaini ..... D26/29  
D427,299 S \* 6/2000 Haslebacher ..... D23/355  
6,099,607 A \* 8/2000 Haslebacher ..... F24F 3/1607  
55/356  
D572,356 S \* 7/2008 Harber ..... D23/364  
D612,035 S \* 3/2010 Borgi ..... D23/355  
D615,179 S \* 5/2010 Borgi ..... D23/355  
D702,840 S \* 4/2014 Blomquist ..... D24/164

\* cited by examiner

*Primary Examiner* — Ralf T Seifert

(74) *Attorney, Agent, or Firm* — Fox Rothschild LLP

**Related U.S. Application Data**

(62) Division of application No. 29/520,256, filed on Mar. 12, 2015, now Pat. No. Des. 783,792.

**Foreign Application Priority Data**

Sep. 12, 2014 (EM) ..... 002537217-0001  
Sep. 12, 2014 (EM) ..... 002537217-0002  
Sep. 12, 2014 (EM) ..... 002537217-0003

(51) **LOC (10) Cl.** ..... **23-04**  
(52) **U.S. Cl.**  
USPC ..... **D23/364**

(58) **Field of Classification Search**  
USPC ..... D23/355, 356, 359, 360, 364, 366, 368,  
D23/386, 332; D15/79; 55/356, 473,  
55/504; 422/120, 122; 96/97; 26/32  
CPC .. B01D 47/00; B01D 47/027; B01D 2221/02;  
B01D 2259/4508; B03C 3/155; F24F  
3/16; F24F 13/20; F24F 13/28; F24F  
2001/0096; F24F 3/1405; F24F 3/1603;  
F24F 13/222; F24F 3/1607; A61G 13/108  
See application file for complete search history.

(56) **References Cited**

**U.S. PATENT DOCUMENTS**

3,820,536 A \* 6/1974 Anspach, Jr.  
et al. .... A61G 13/108  
128/202.13  
D342,568 S \* 12/1993 Rose ..... D23/365

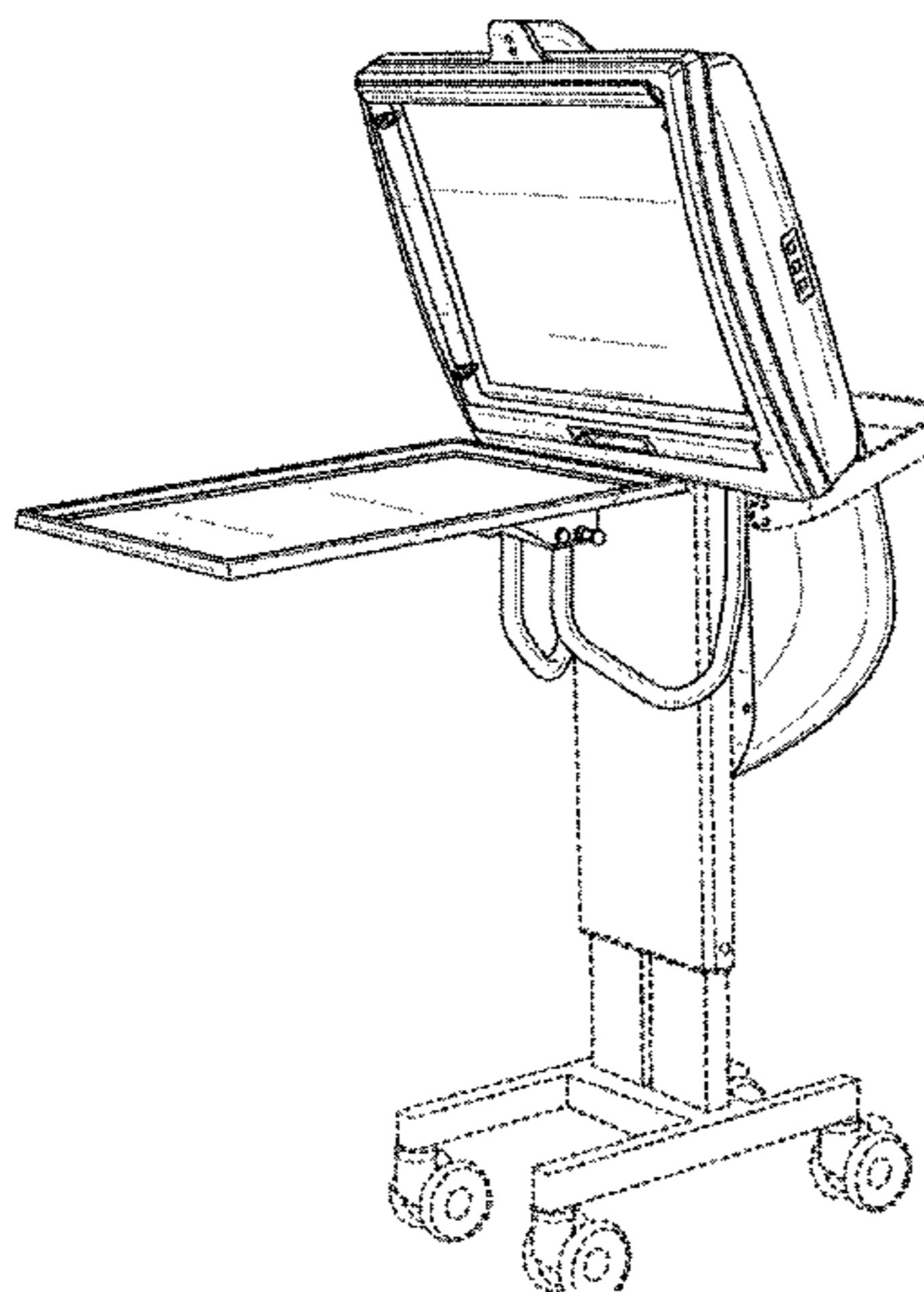
(57) **CLAIM**

The ornamental design for air purifier, as shown and described.

**DESCRIPTION**

FIG. 1 is a front-right perspective view of an air purifier showing my new design illustrating the rear tray in a lowered configuration;  
FIG. 2 is a left side view thereof illustrating the rear tray in a raised configuration;  
FIG. 3 is a front-left perspective view thereof illustrating the rear tray in a raised configuration;  
FIG. 4 is a rear-left perspective view thereof illustrating the rear tray in a raised configuration;  
FIG. 5 is a front view thereof;  
FIG. 6 is a left side view thereof illustrating the rear tray in a lowered configuration; and,  
FIG. 7 is a rear-left perspective view thereof illustrating the rear tray in a lowered configuration.  
The surface ornamentation, which are the portions as shown in broken line, are shown for the purpose of illustrating environmental structure, and forms no part of the claimed design.

**1 Claim, 7 Drawing Sheets**



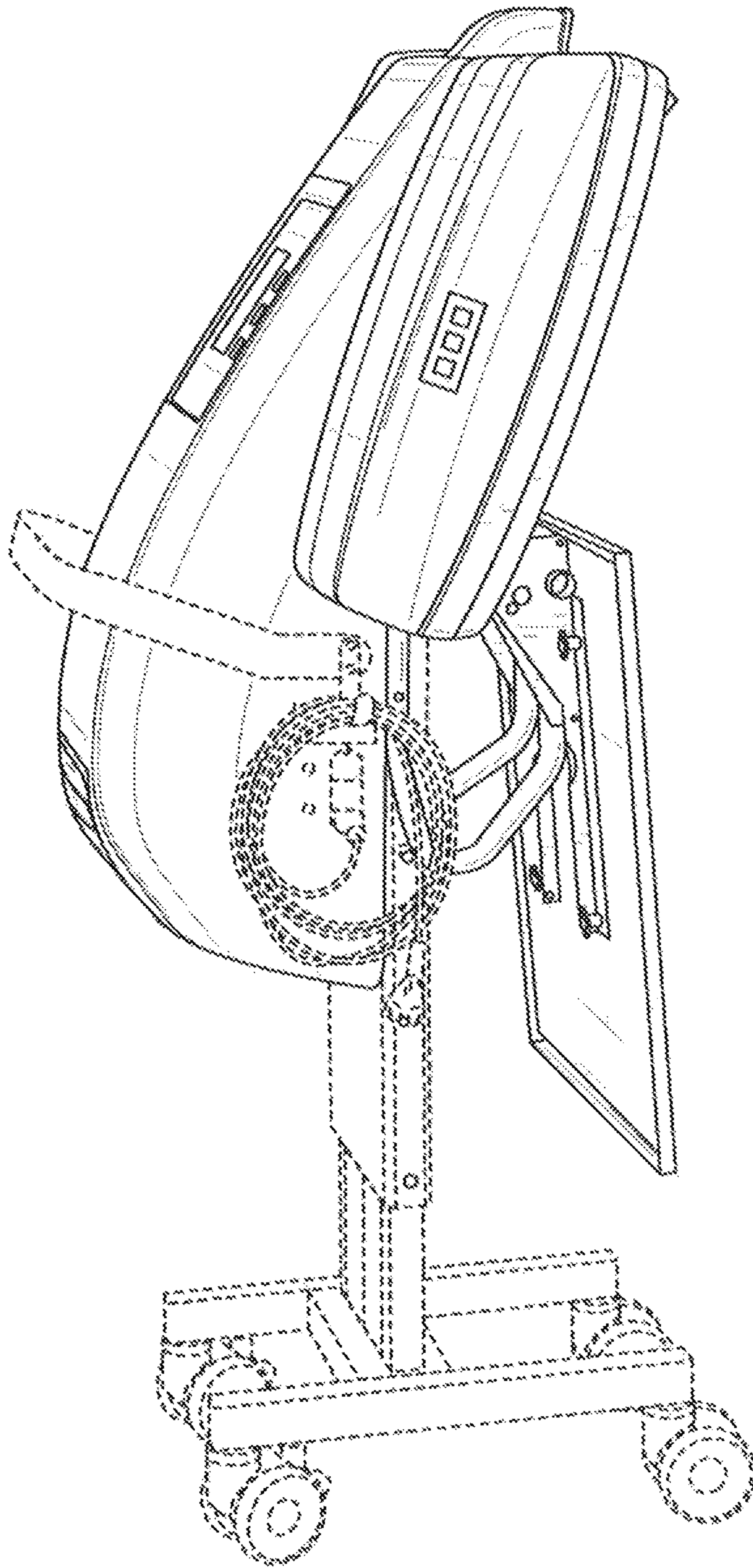


FIG. 1

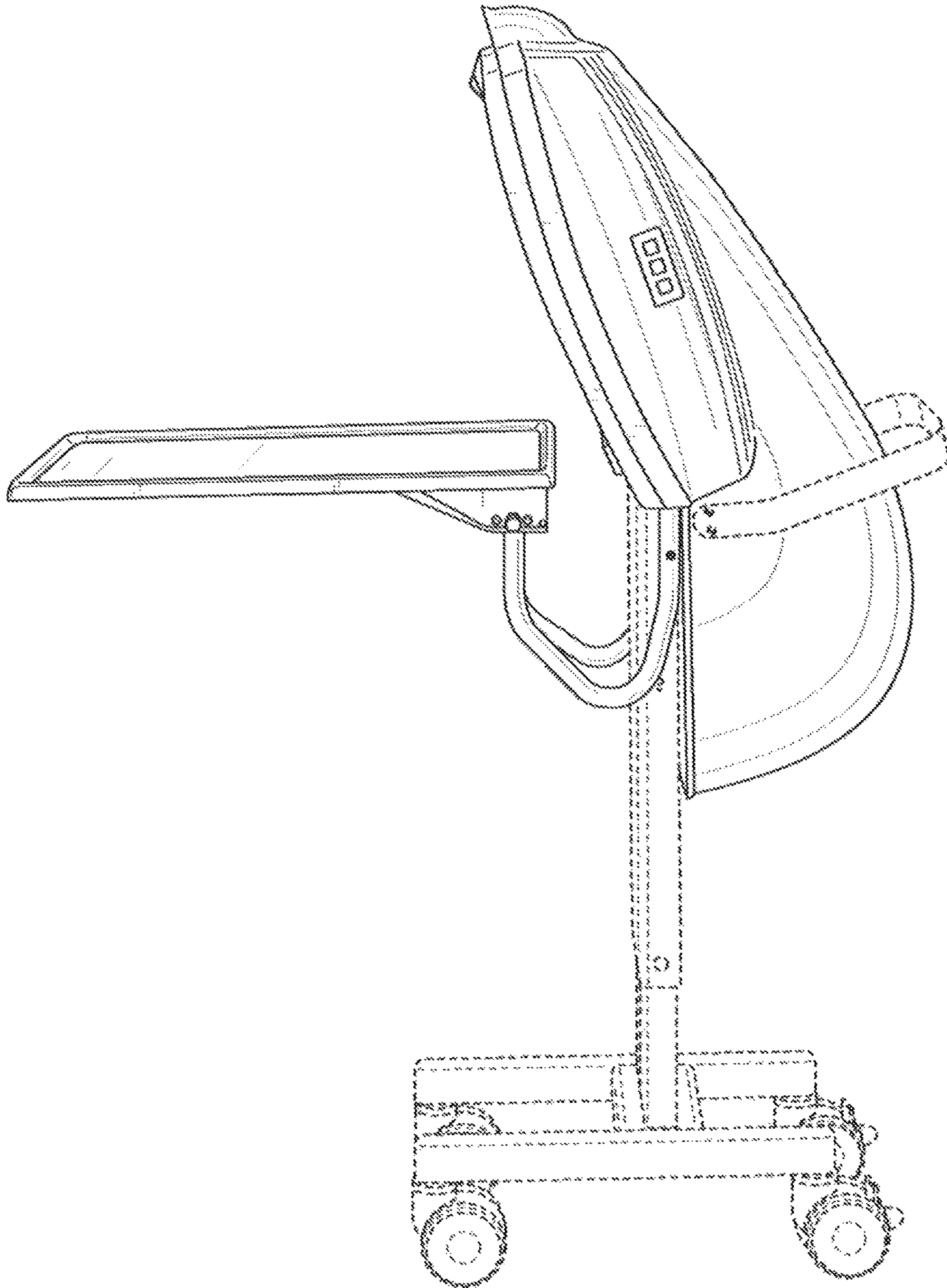


FIG. 2

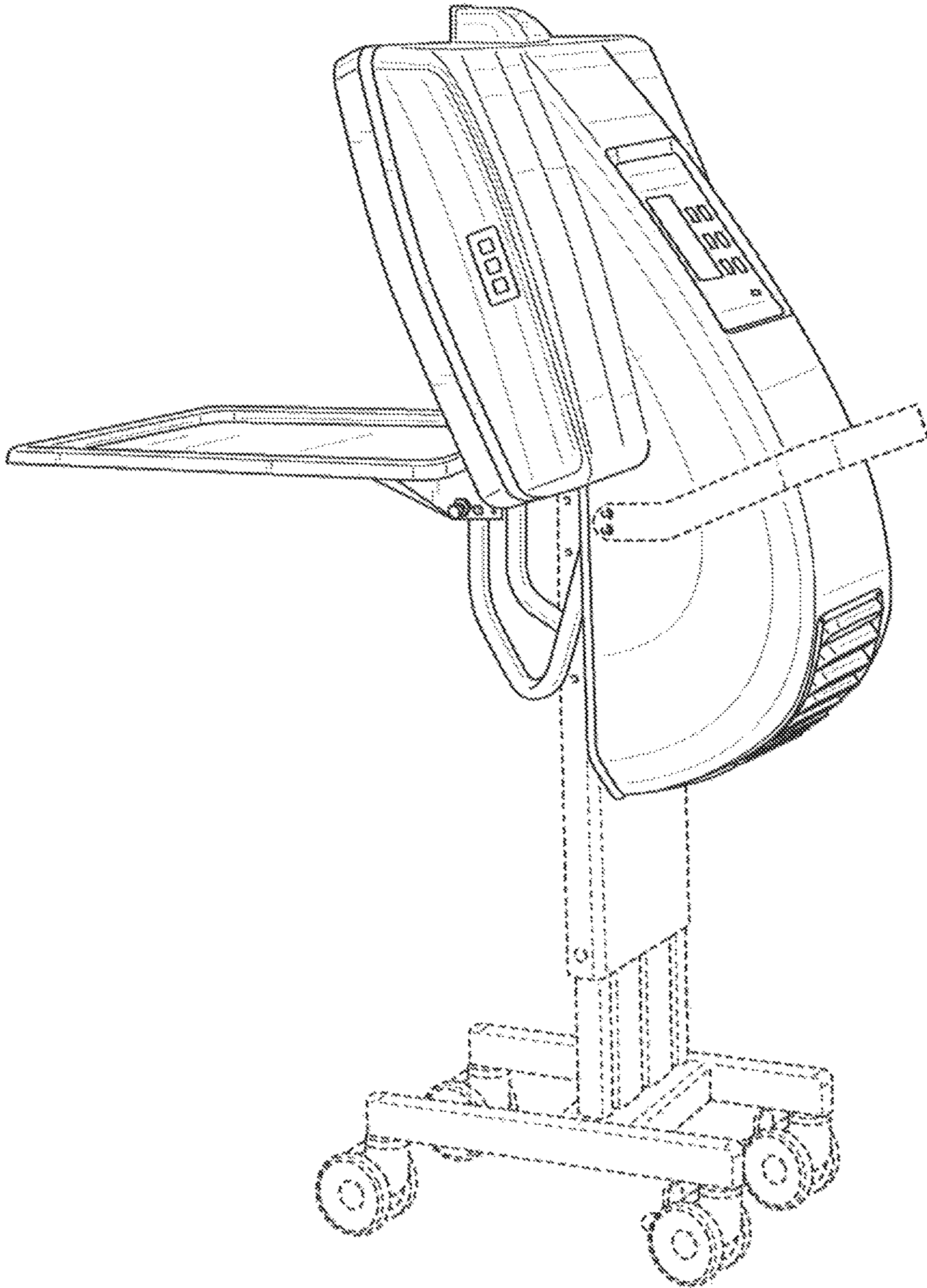


FIG. 3

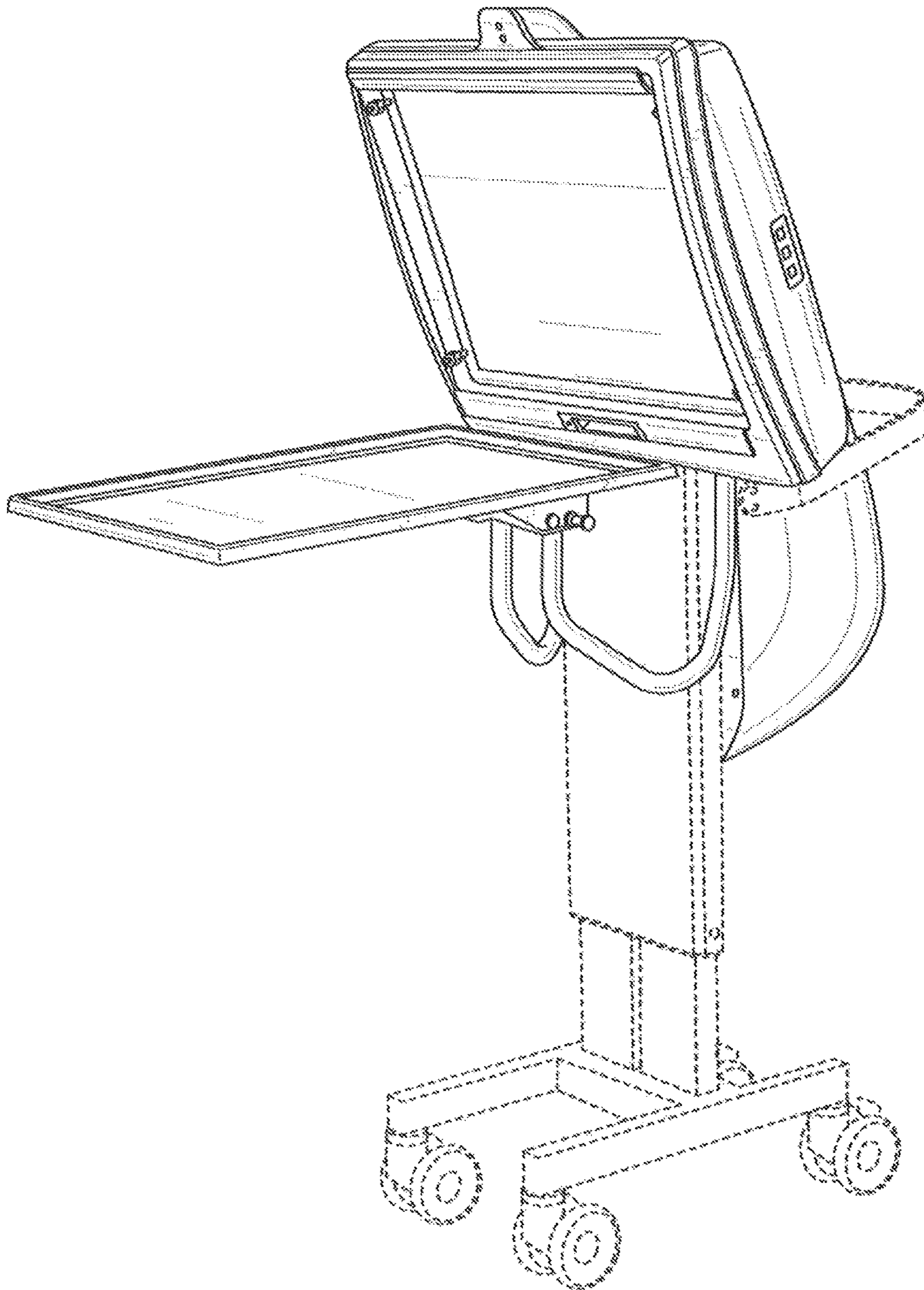


FIG. 4

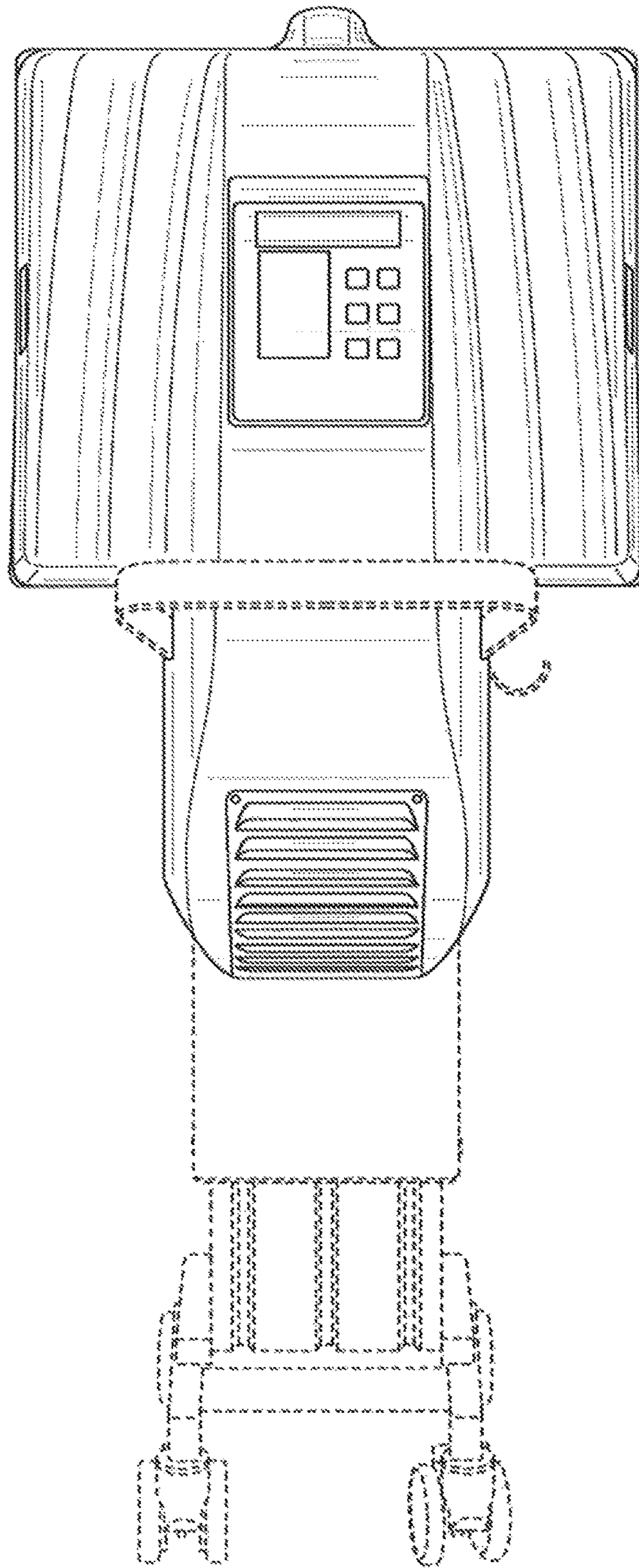


FIG. 5

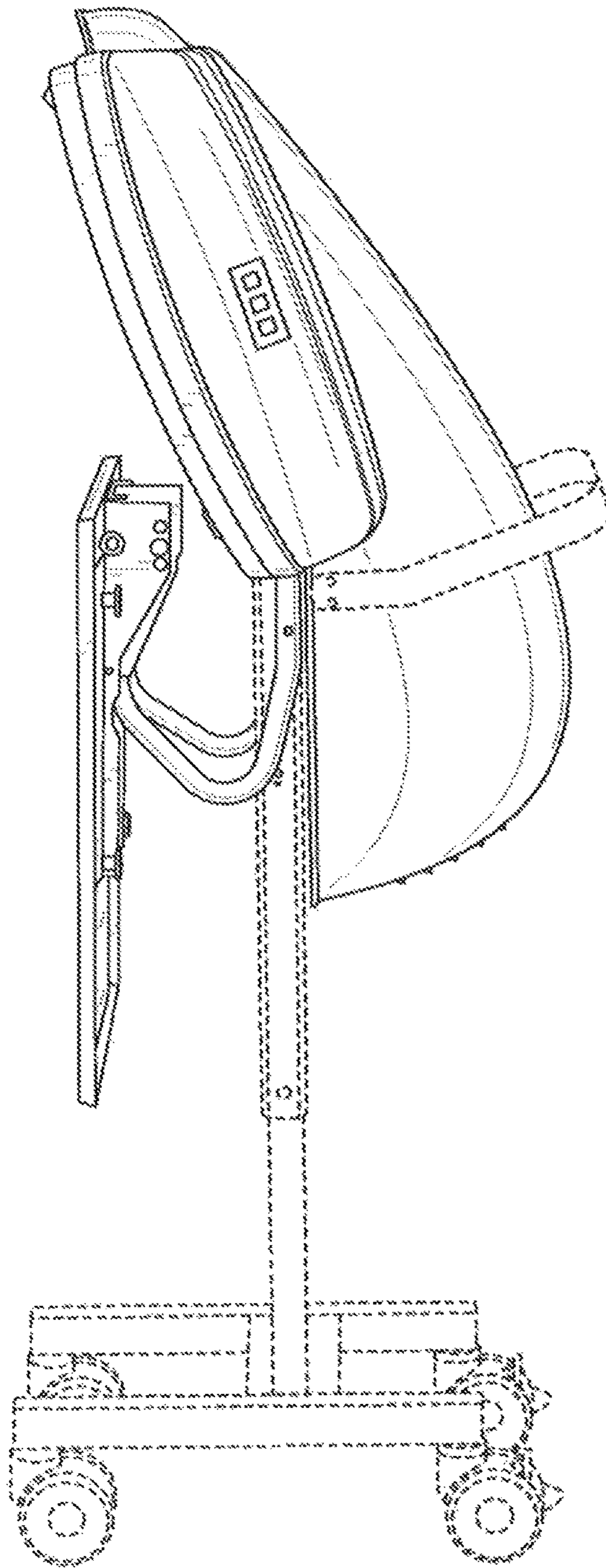


FIG. 6

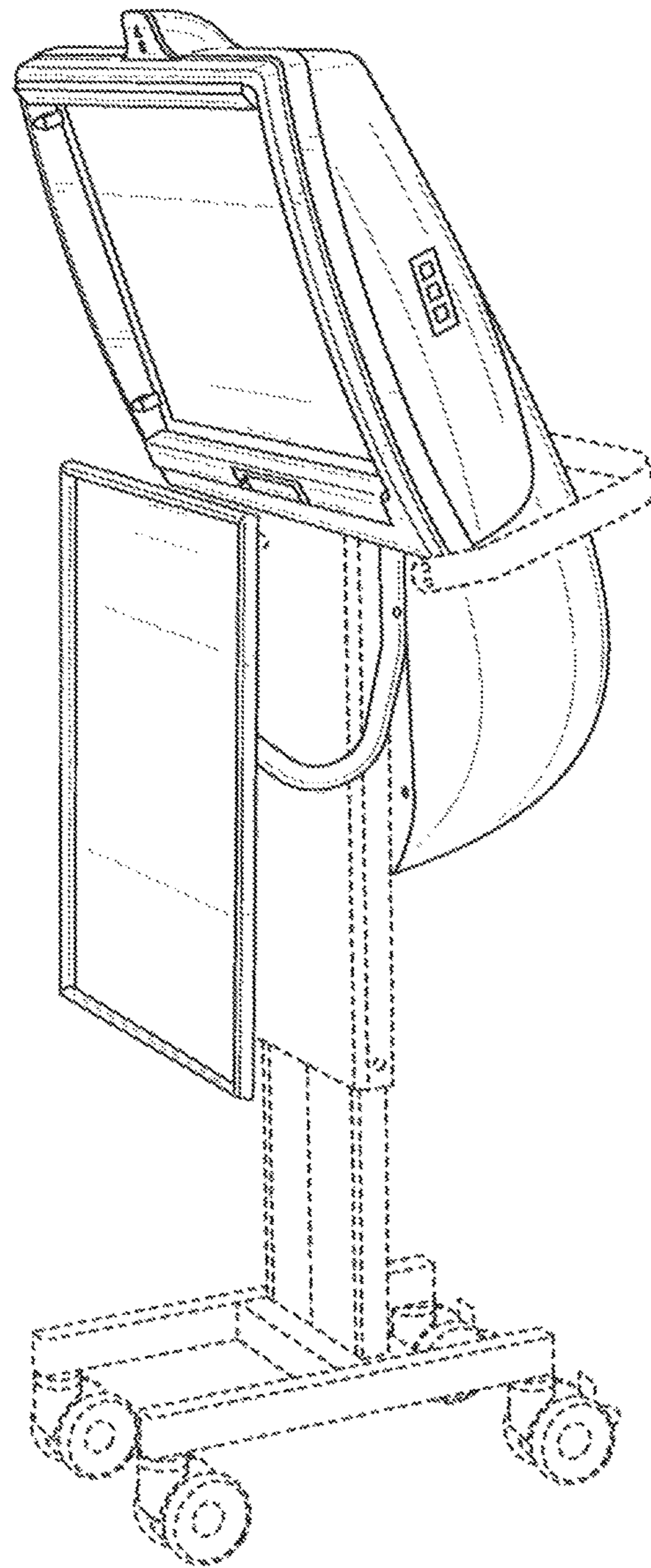


FIG. 7