



US00D799014S

(12) **United States Design Patent** (10) **Patent No.:** **US D799,014 S**  
**Suarez et al.** (45) **Date of Patent:** **\*\* Oct. 3, 2017**

(54) **HIGH VELOCITY FAN AND HEATER**  
(71) Applicants: **Benjamin Suarez**, North Canton, OH (US); **Joseph L. Florence**, Vienna, WV (US)  
(72) Inventors: **Benjamin Suarez**, North Canton, OH (US); **Joseph L. Florence**, Vienna, WV (US)

(\*\*) Term: **15 Years**  
(21) Appl. No.: **29/573,212**

(22) Filed: **Aug. 3, 2016**  
(51) **LOC (10) Cl.** ..... **23-03**  
(52) **U.S. Cl.**  
USPC ..... **D23/332**  
(58) **Field of Classification Search**  
USPC ..... D23/317, 330, 332-333, 335-351, D23/354-356, 370, 376, 378, 381, 382, D23/386, 411, 412, 314, 379, 328  
CPC . F24D 13/00; F24H 7/00; F24H 7/002; F24H 7/0208; F24H 7/0216; F24H 9/02  
See application file for complete search history.

(56) **References Cited**  
U.S. PATENT DOCUMENTS  
D164,114 S \* 7/1951 Jones et al. .... D23/370  
D514,688 S \* 2/2006 Avedon ..... D23/379  
D631,148 S \* 1/2011 Benton ..... D23/370  
9,335,061 B2 \* 5/2016 Avedon ..... F24F 7/065  
D783,795 S \* 4/2017 Avedon ..... D23/379  
9,631,627 B2 \* 4/2017 Avedon ..... F04D 25/088  
2010/0266400 A1 \* 10/2010 Avedon ..... F04D 29/542  
415/209.3

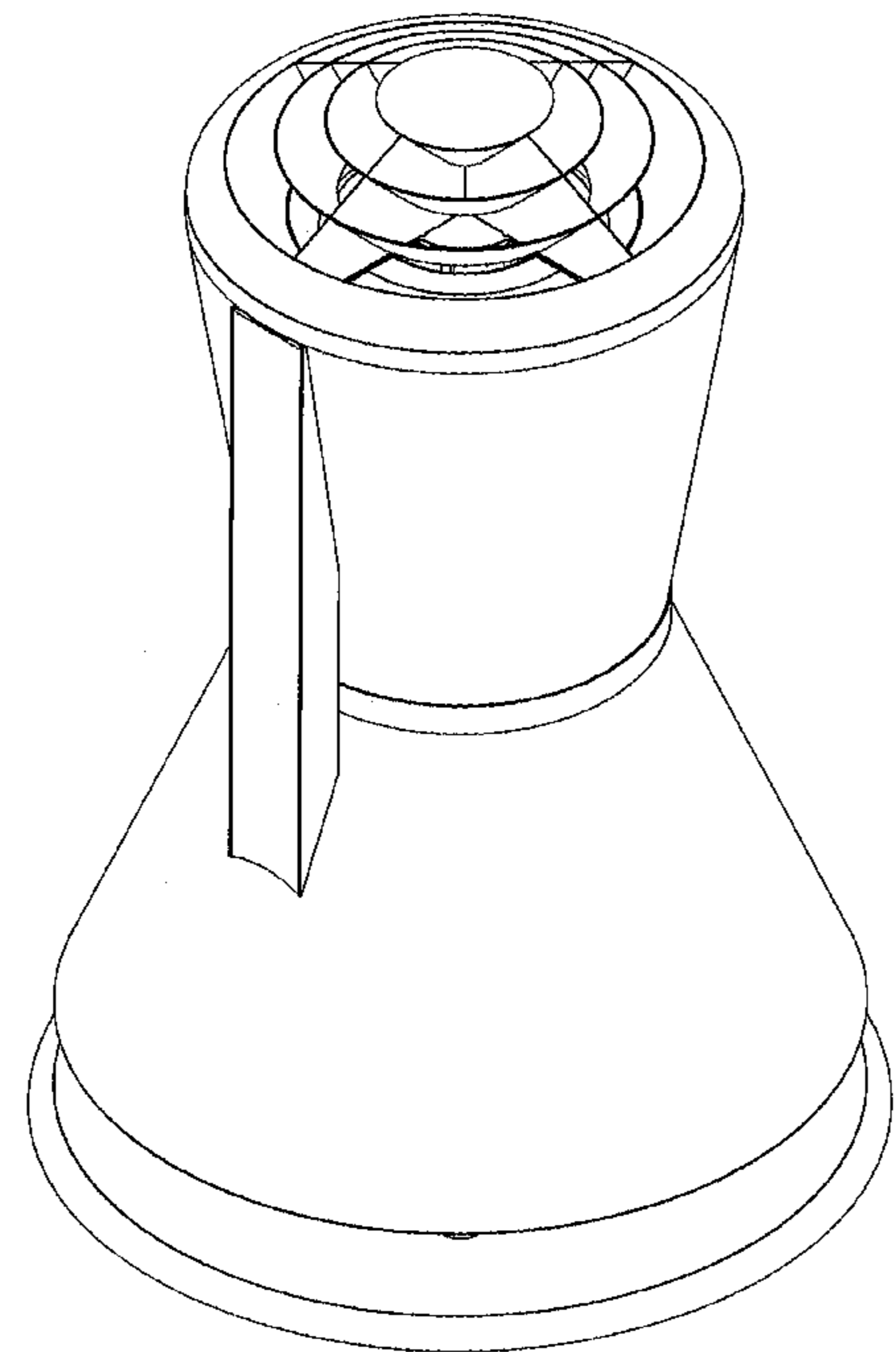
2012/0195749 A1\* 8/2012 Avedon ..... F04D 25/088  
415/211.2  
2015/0176834 A1\* 6/2015 Avedon ..... F21V 33/0096  
415/121.3  
2016/0146222 A1\* 5/2016 Avedon ..... F04D 19/002  
415/211.2  
2017/0045263 A1\* 2/2017 Kohut ..... F24H 3/002

\* cited by examiner  
*Primary Examiner* — T. Chase Nelson  
*Assistant Examiner* — Ania Aman  
(74) *Attorney, Agent, or Firm* — Pearne & Gordon LLP

(57) **CLAIM**  
I claim the ornamental design for a high velocity fan and heater, as shown and described.

**DESCRIPTION**  
FIG. 1 is a perspective view of the device of the present invention.  
FIG. 2 is a front elevational view of the device of the present invention.  
FIG. 3 is a right side elevational view of the device of the present invention.  
FIG. 4 is a left side elevational view of the device of the present invention.  
FIG. 5 is a rear elevational view of the device of the present invention.  
FIG. 6 is a top view of the device of the present invention; and,  
FIG. 7 is a bottom view of the device of the present invention.

**1 Claim, 7 Drawing Sheets**



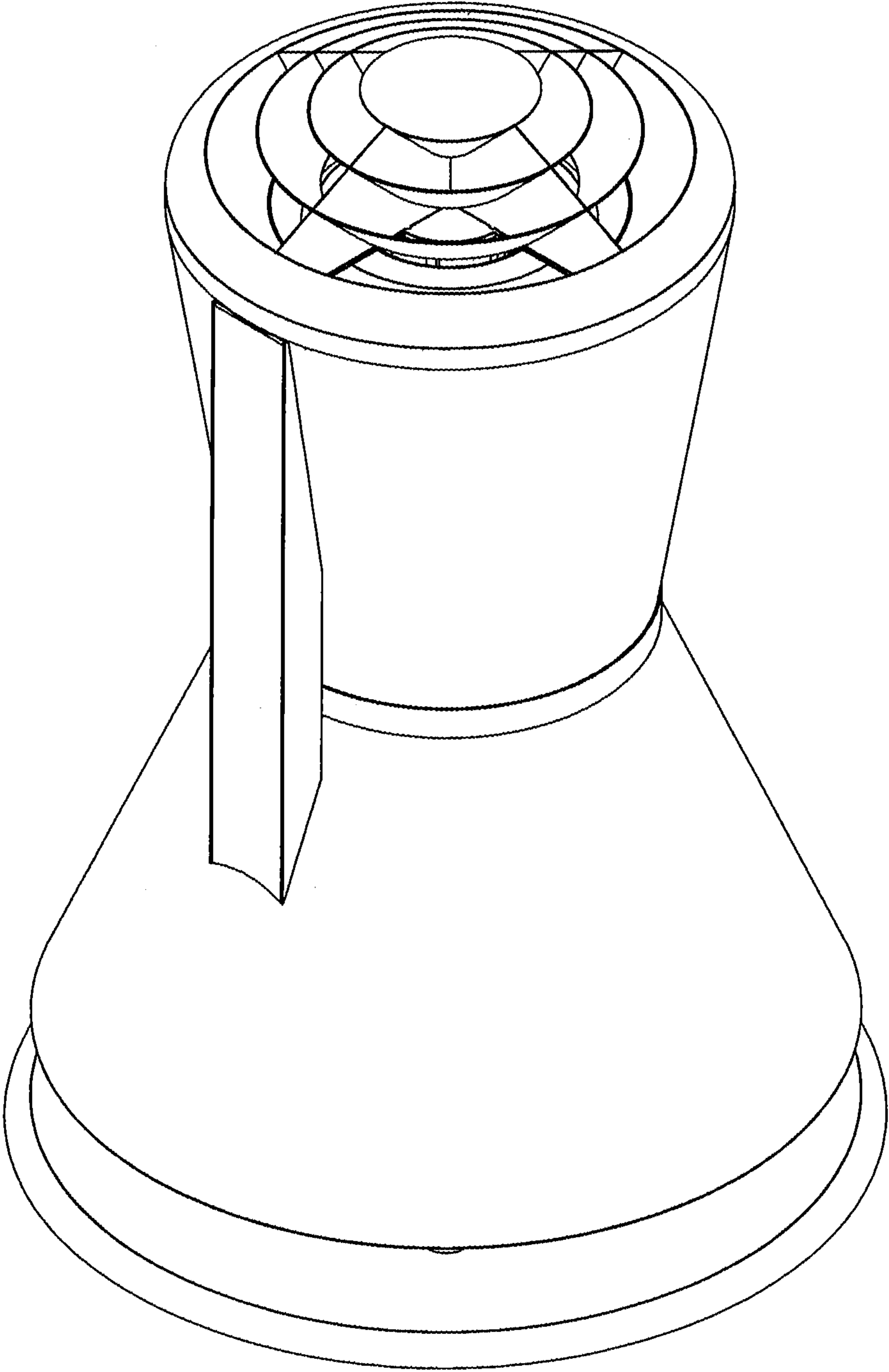


FIG. 1

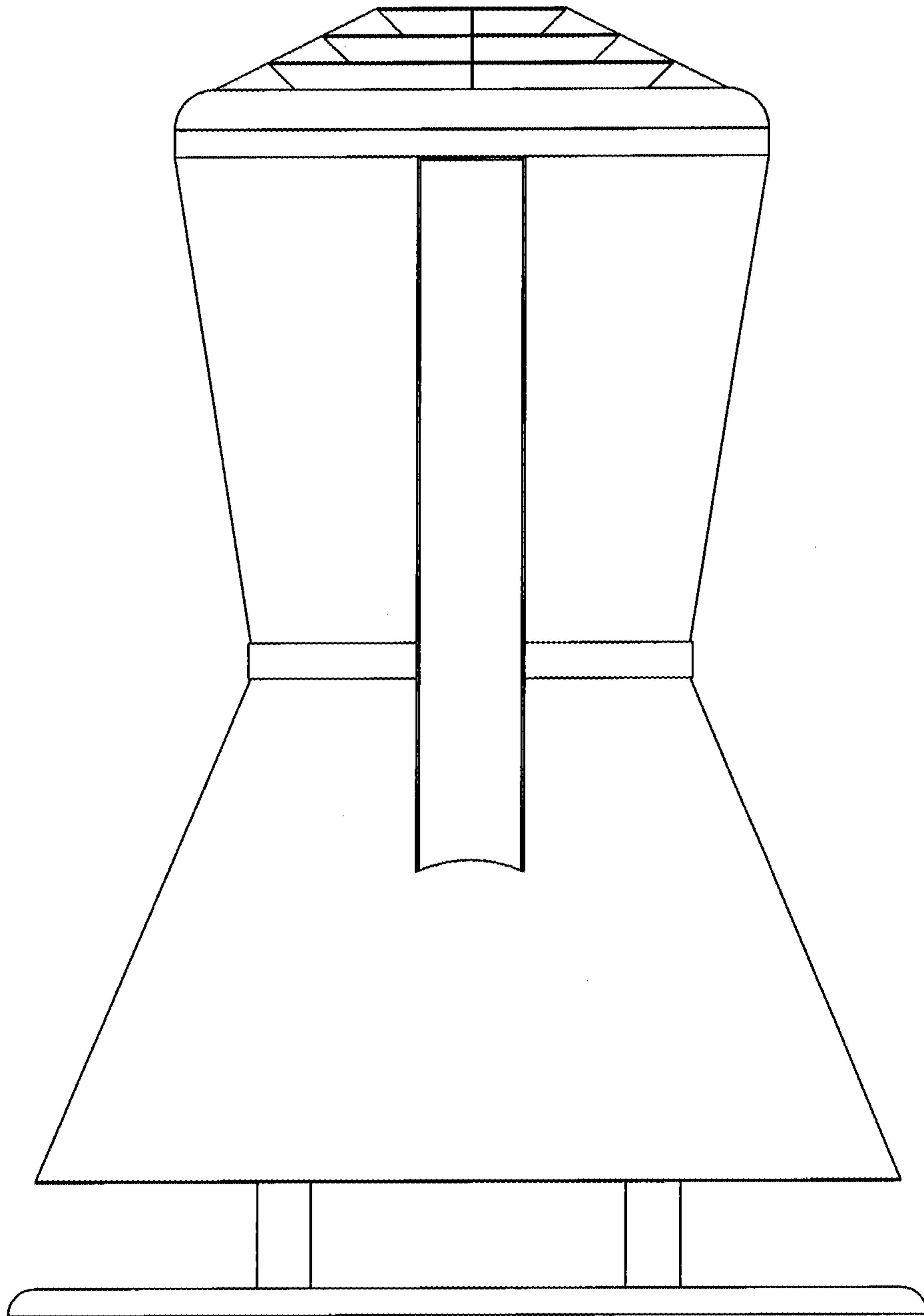


FIG. 2

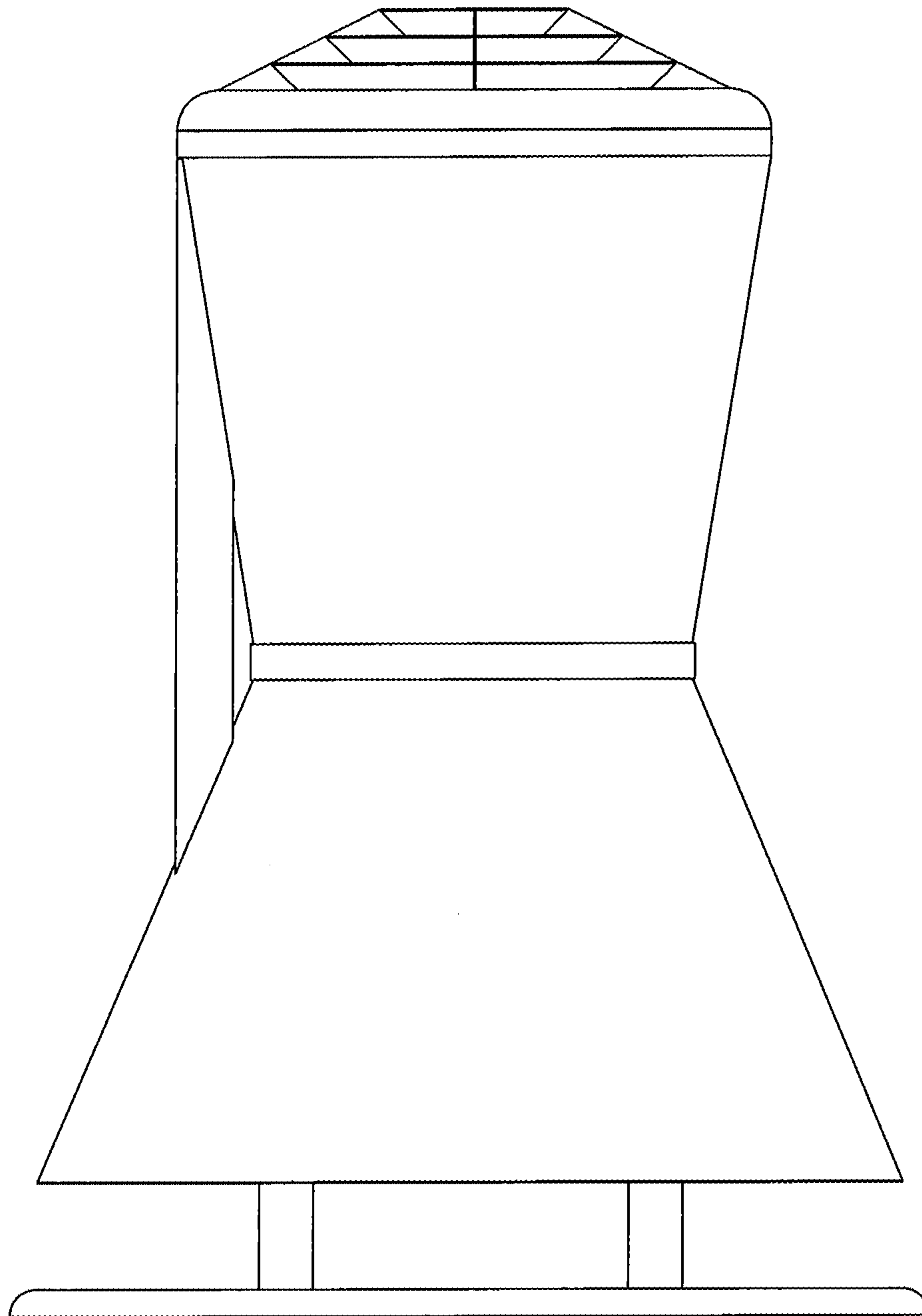


FIG. 3

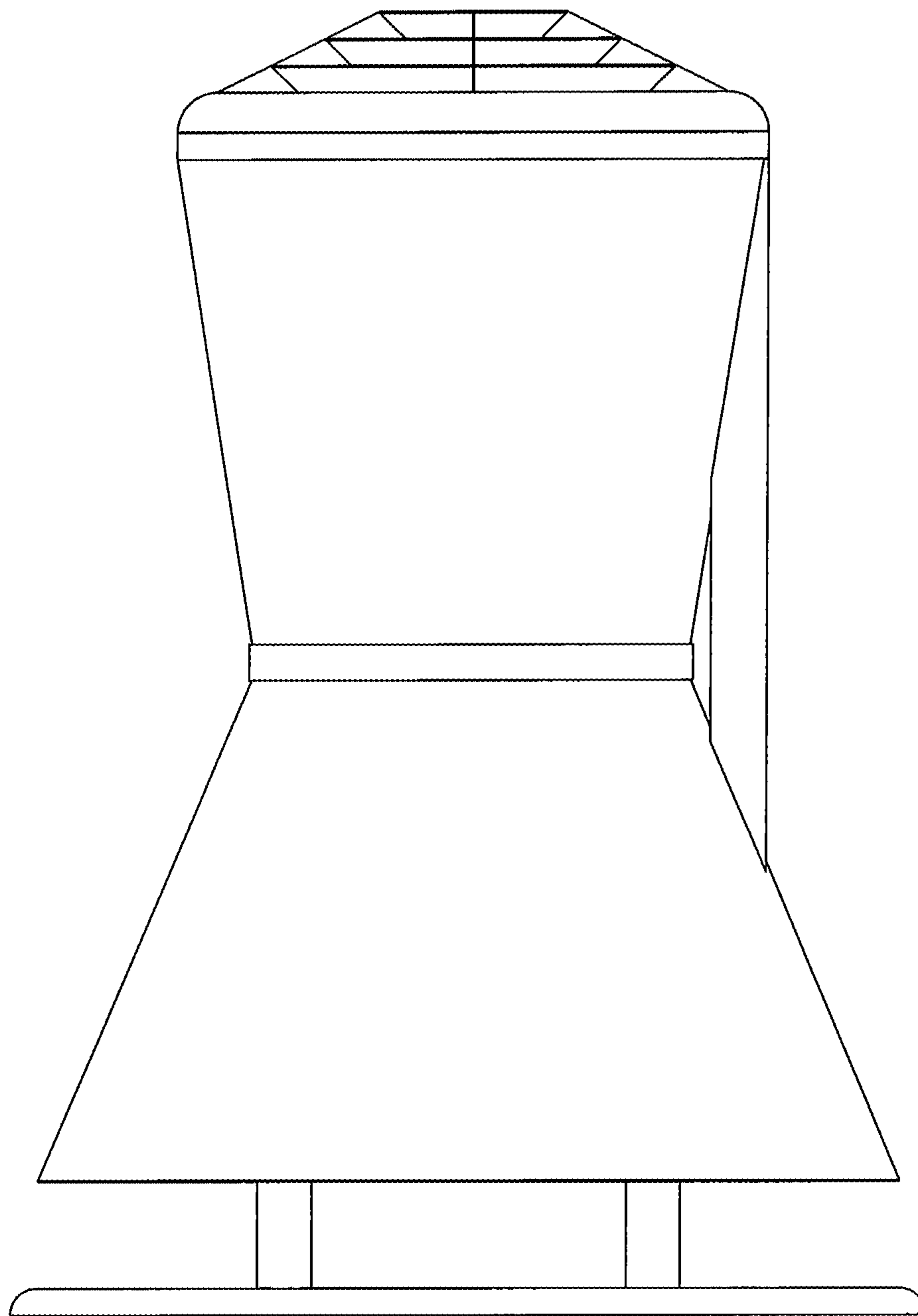


FIG. 4

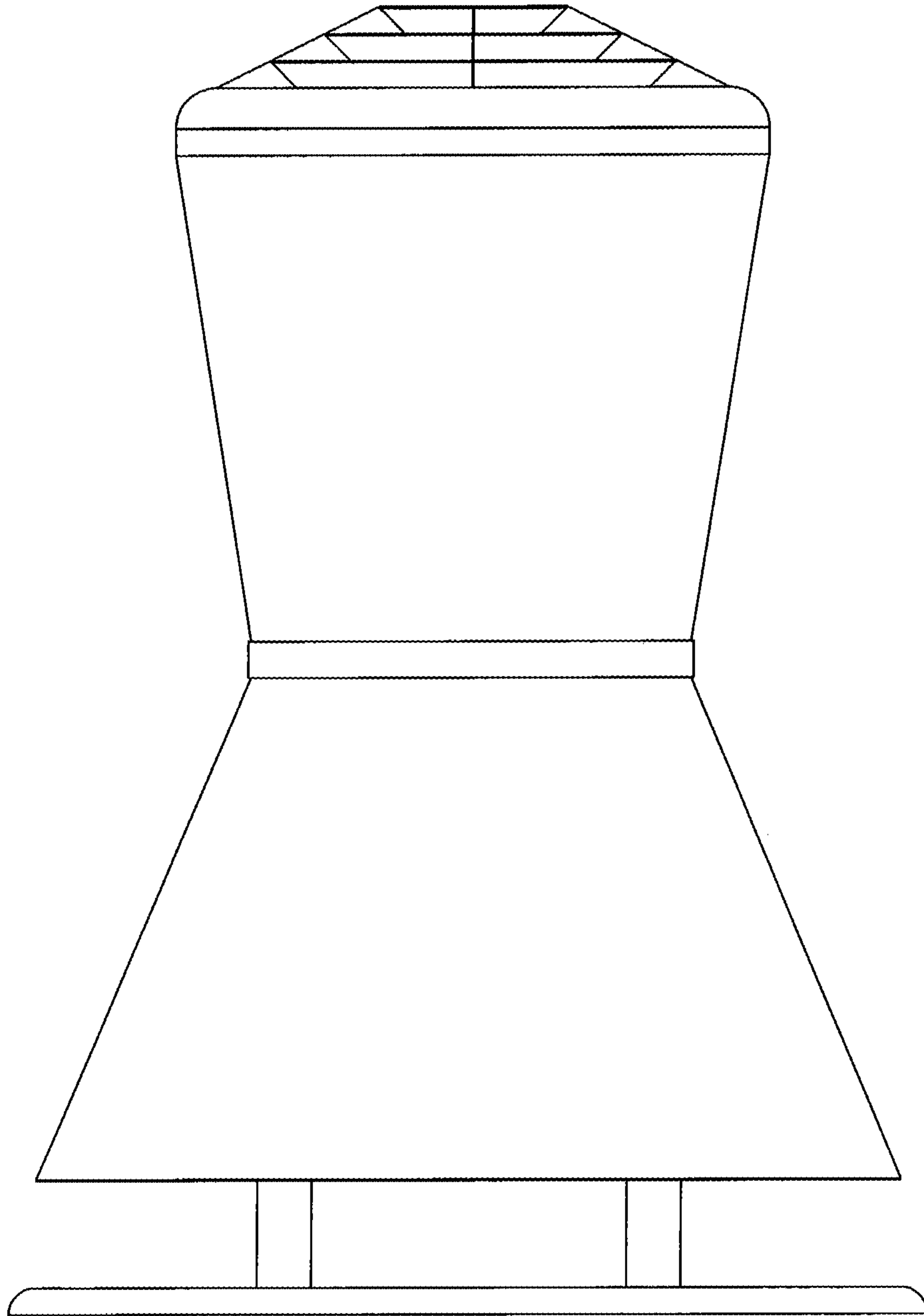


FIG. 5

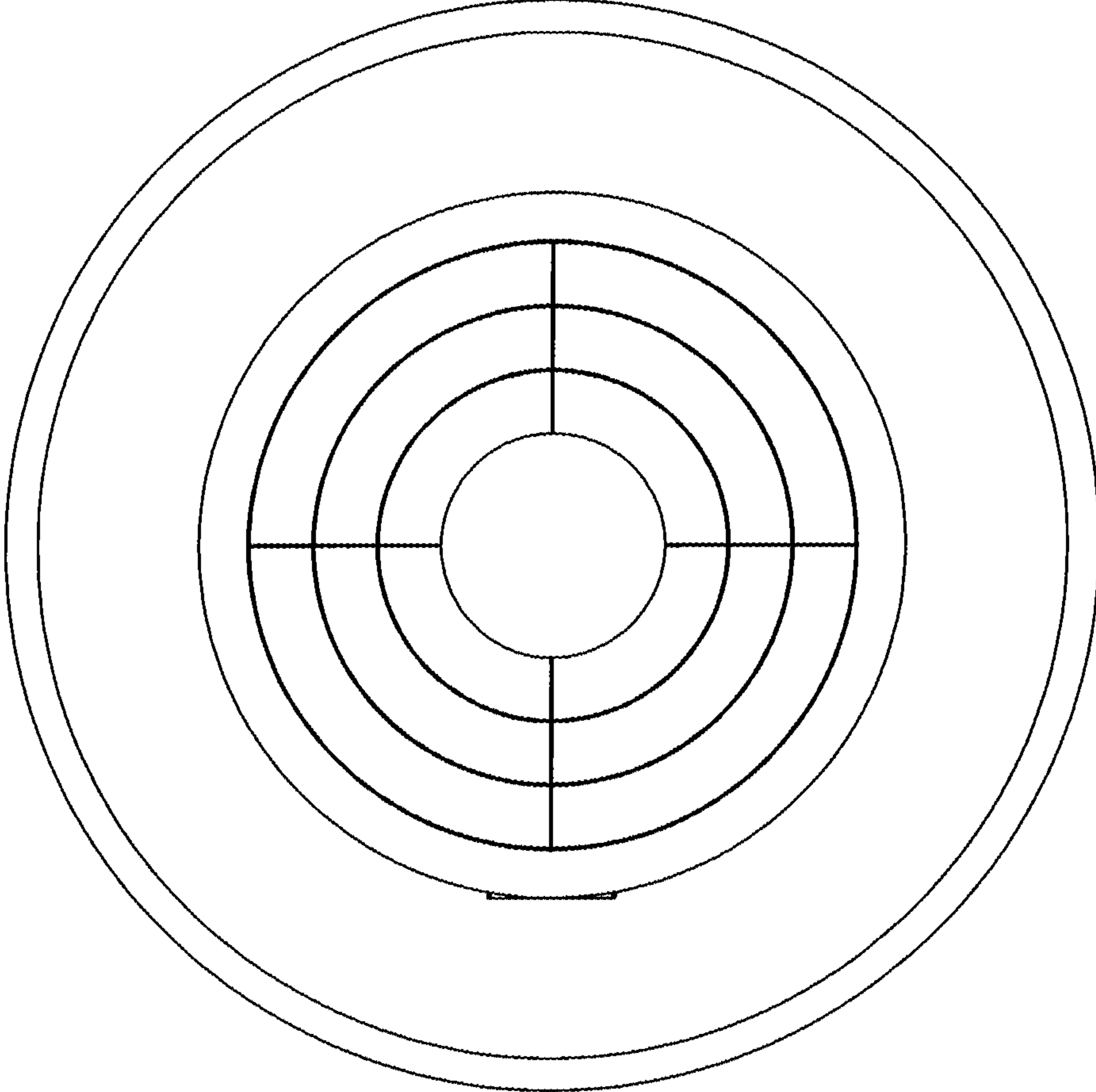


FIG. 6

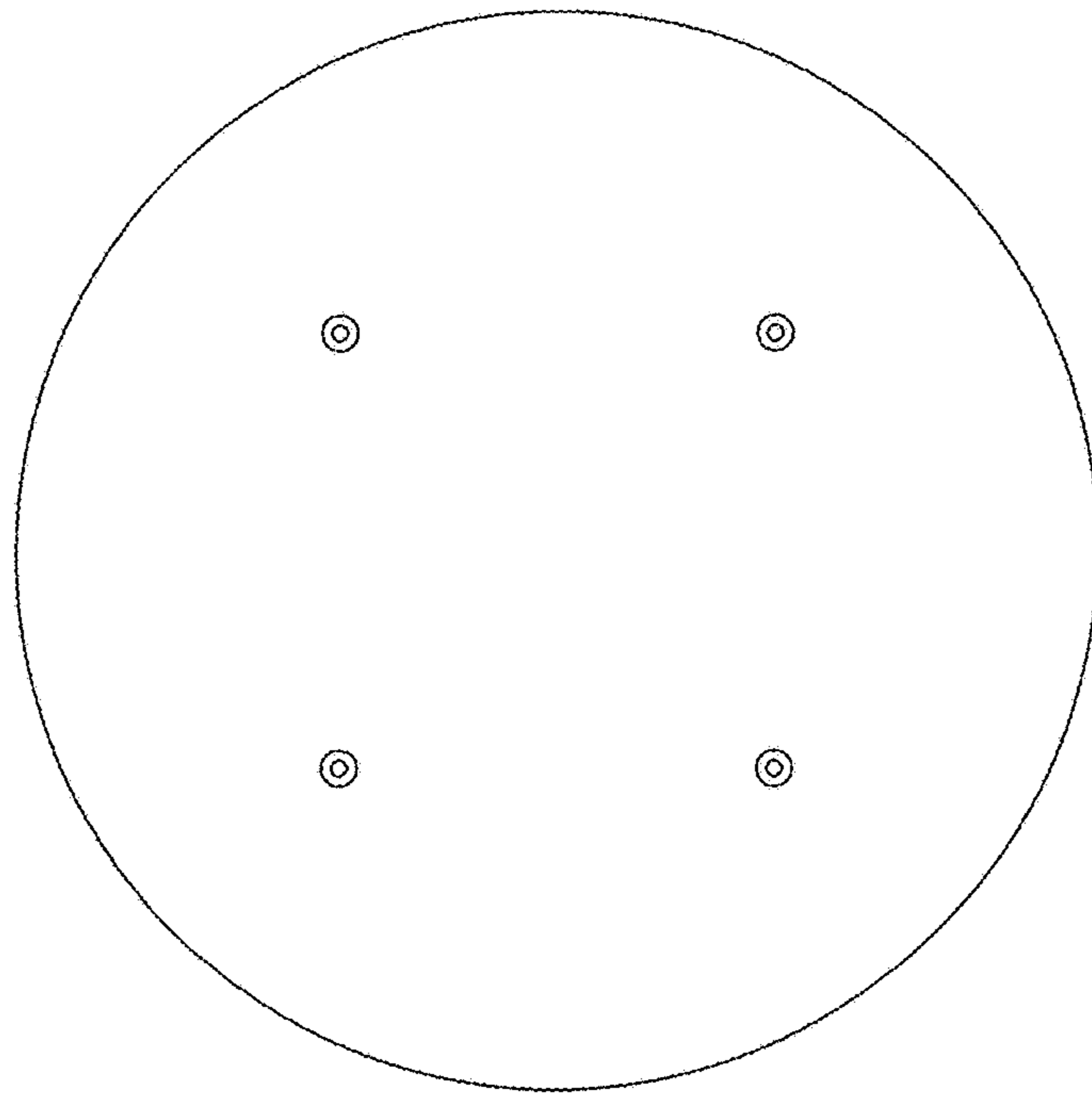


FIG. 7