



US00D799013S

(12) **United States Design Patent** (10) **Patent No.:** **US D799,013 S**
Kit (45) **Date of Patent:** **** Oct. 3, 2017**

- (54) **WATER SPRAYING FAN**
- (71) Applicant: **Tat Lee Confectionery and Novelty Co., Ltd., Kwai Ching Kowloon (HK)**
- (72) Inventor: **Ip Sze Kit, Kwai Chung Kowloon (HK)**
- (73) Assignee: **Tat Lee Confectionery and Novelty Co., Ltd., Hong Kong (HK)**
- (**) Term: **15 Years**
- (21) Appl. No.: **29/556,756**
- (22) Filed: **Mar. 3, 2016**
- (30) **Foreign Application Priority Data**
Dec. 28, 2015 (EM) 002926477
- (51) **LOC (10) Cl.** **23-04**
- (52) **U.S. Cl.**
USPC **D23/328; D23/332; D23/379**
- (58) **Field of Classification Search**
USPC D23/370-376, 355, 377, 378-385, D23/411-414, 328, 332, 314, 213, 223, D23/225-226, 228
CPC B05B 3/02; B05B 3/022
See application file for complete search history.

D698,428 S *	1/2014	Sands	D23/314
D703,308 S *	4/2014	Peterson	D23/379
D733,282 S *	6/2015	Peterson	D23/328
D767,747 S *	9/2016	Wang	D23/379
D770,022 S *	10/2016	Breit	D23/328
D773,630 S *	12/2016	Breit	D23/328

OTHER PUBLICATIONS

2015 Latest Korea Japan Cartoon Mini Portable Cooling Water Spray Fan, updated Jul. 30, 2015, lelong.com.my, site visited Feb. 14, 2017, Copyright © 2017, Available from Internet, <<http://www.lelong.com.my/2015-latest-korea-japan-cartoon-mini-portable-cooling-water-spray-fan-rnjshop-l2256104-2007-01-Sale-I.htm>>.*

* cited by examiner

Primary Examiner — Cathron Brooks
Assistant Examiner — Sharon S Oum
(74) *Attorney, Agent, or Firm* — Hooker & Habib, P.C.

(57) **CLAIM**

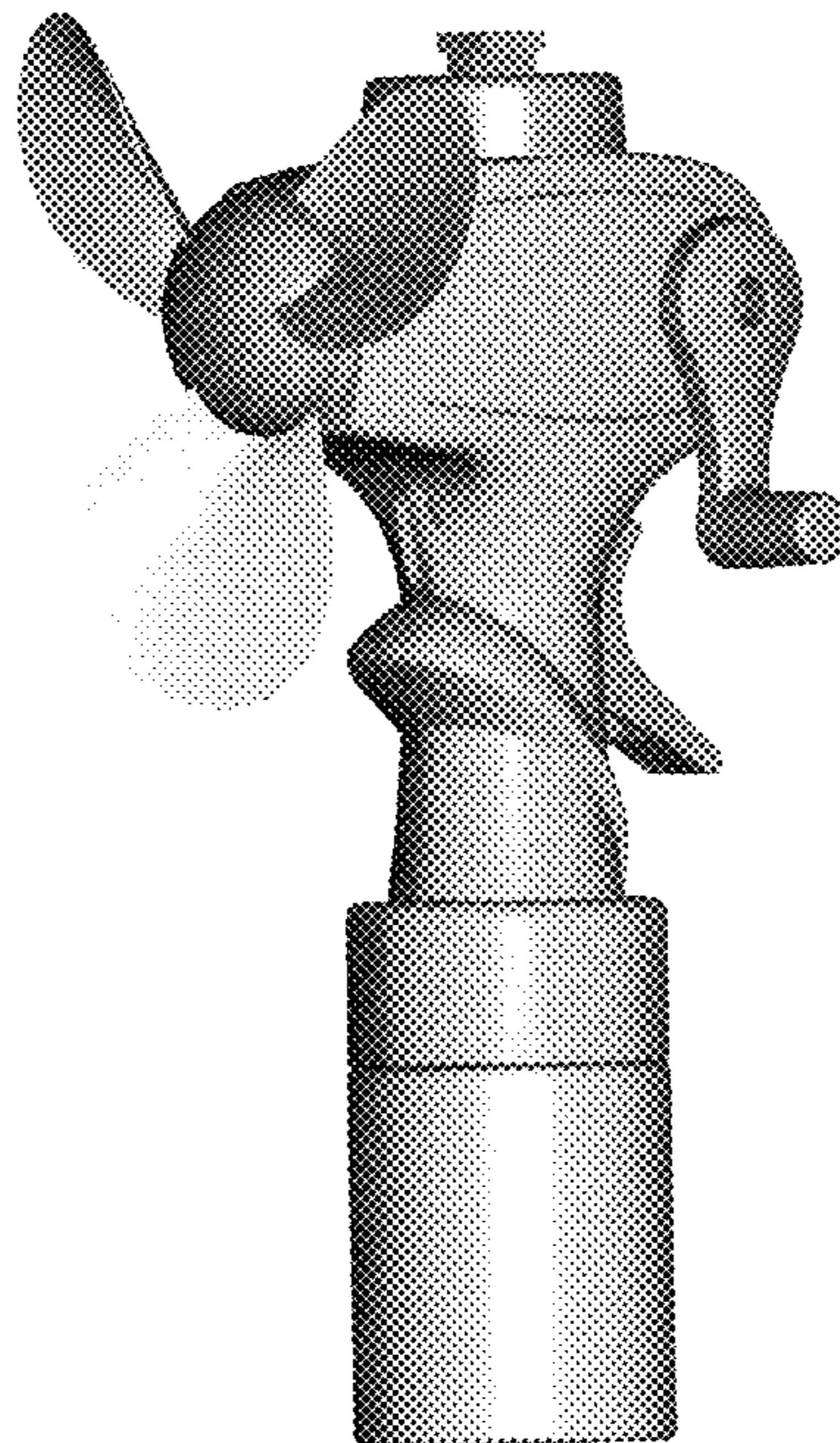
The ornamental design for a water spraying fan, as shown and described.

DESCRIPTION

FIG. 1 is a right side view of a water spraying fan.
FIG. 2 is a front view of the water spraying fan shown in FIG. 1.
FIG. 3 is a left side view of the water spraying fan shown in FIG. 1.
FIG. 4 is a back view of the water spraying fan shown in FIG. 1.
FIG. 5 is a left-front perspective view of the water spraying fan shown in FIG. 1; and,
FIG. 6 is right-back perspective view of the water spraying fan shown in FIG. 1.

1 Claim, 6 Drawing Sheets

- (56) **References Cited**
U.S. PATENT DOCUMENTS
D386,572 S * 11/1997 Radtke D23/328
D387,852 S * 12/1997 Radtke D23/328
D397,774 S * 9/1998 Junkel D23/328
D554,242 S * 10/2007 Chen D23/314
D565,720 S * 4/2008 Chen D23/379



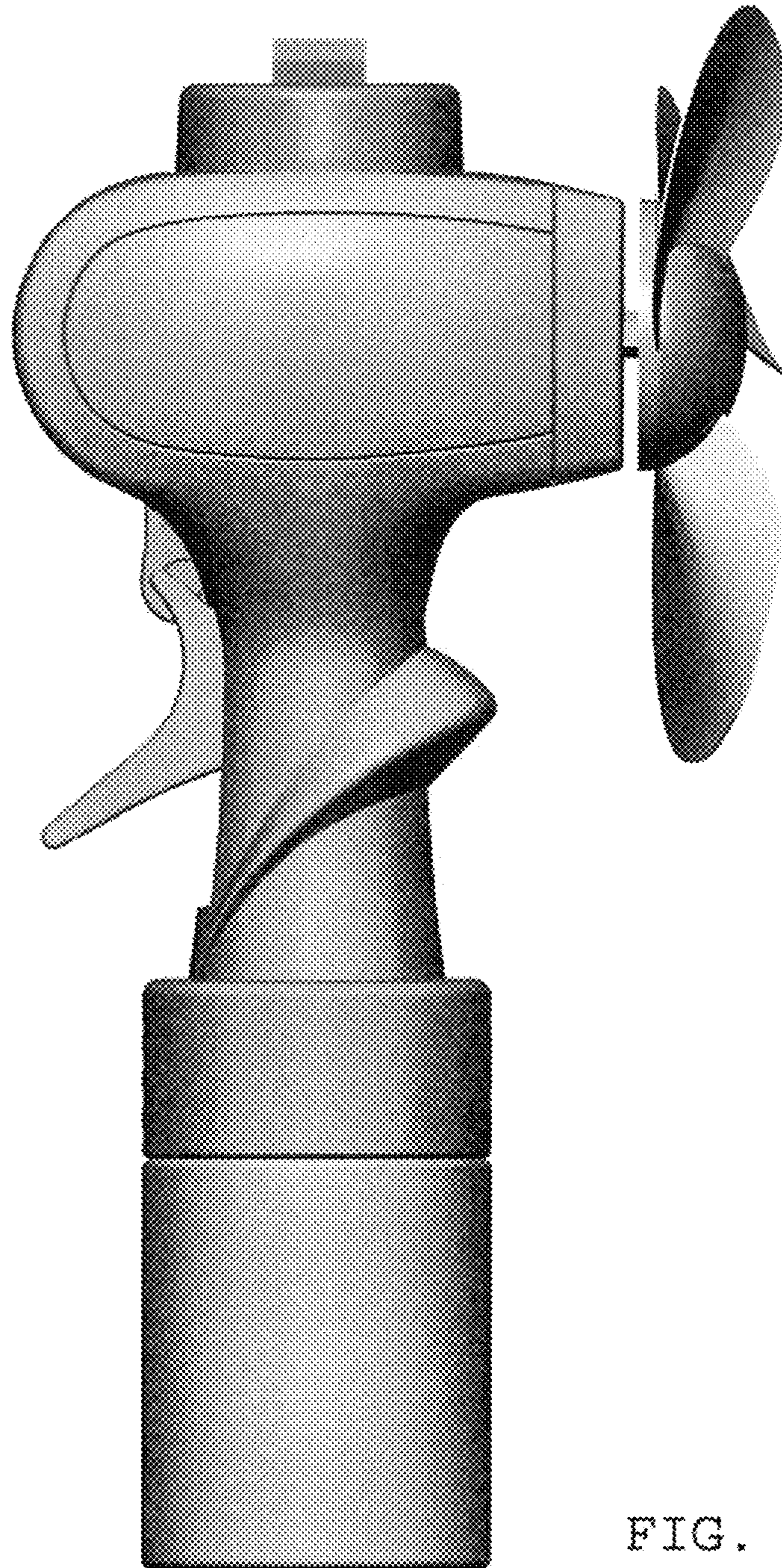


FIG. 1

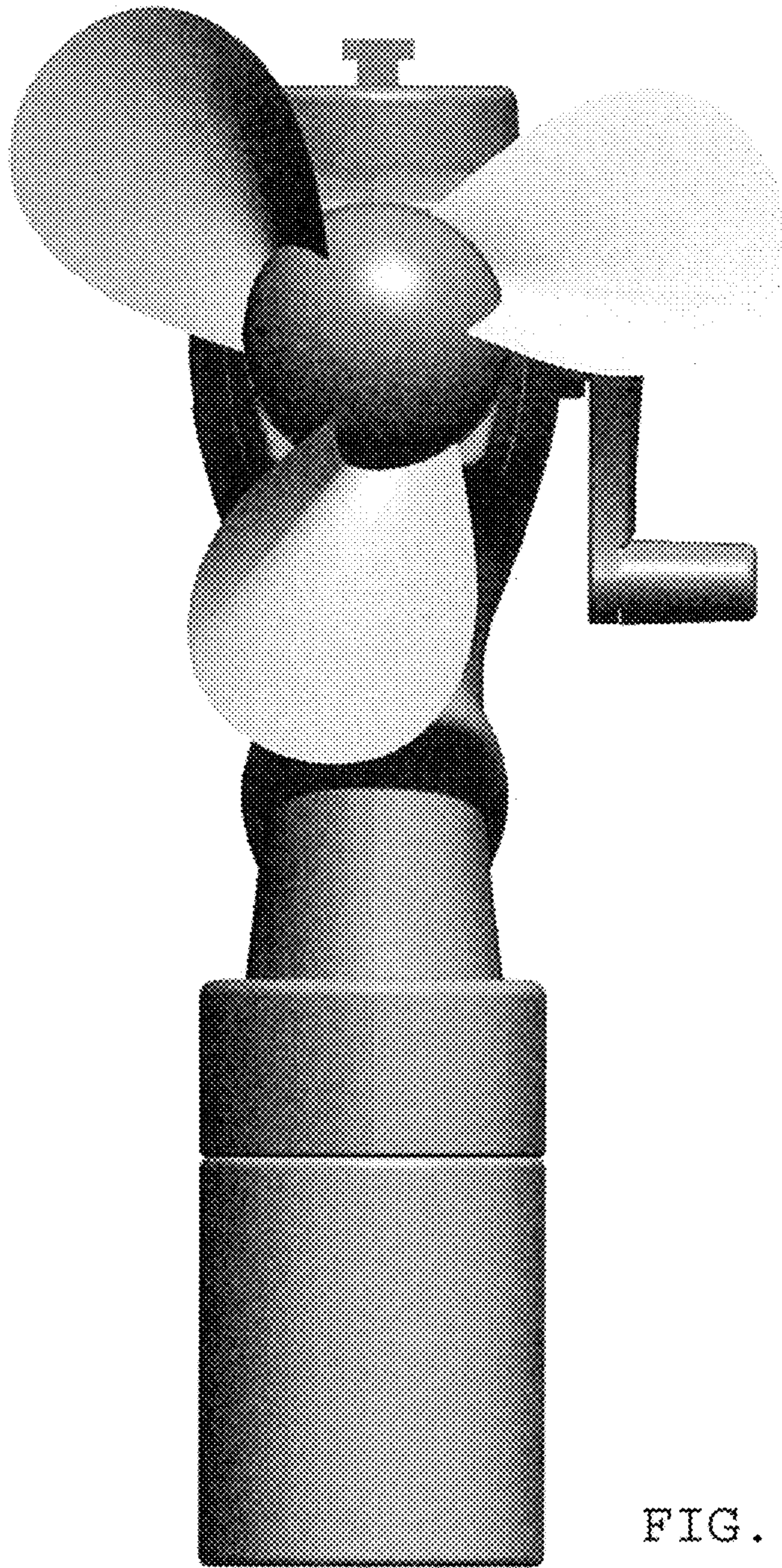


FIG. 2

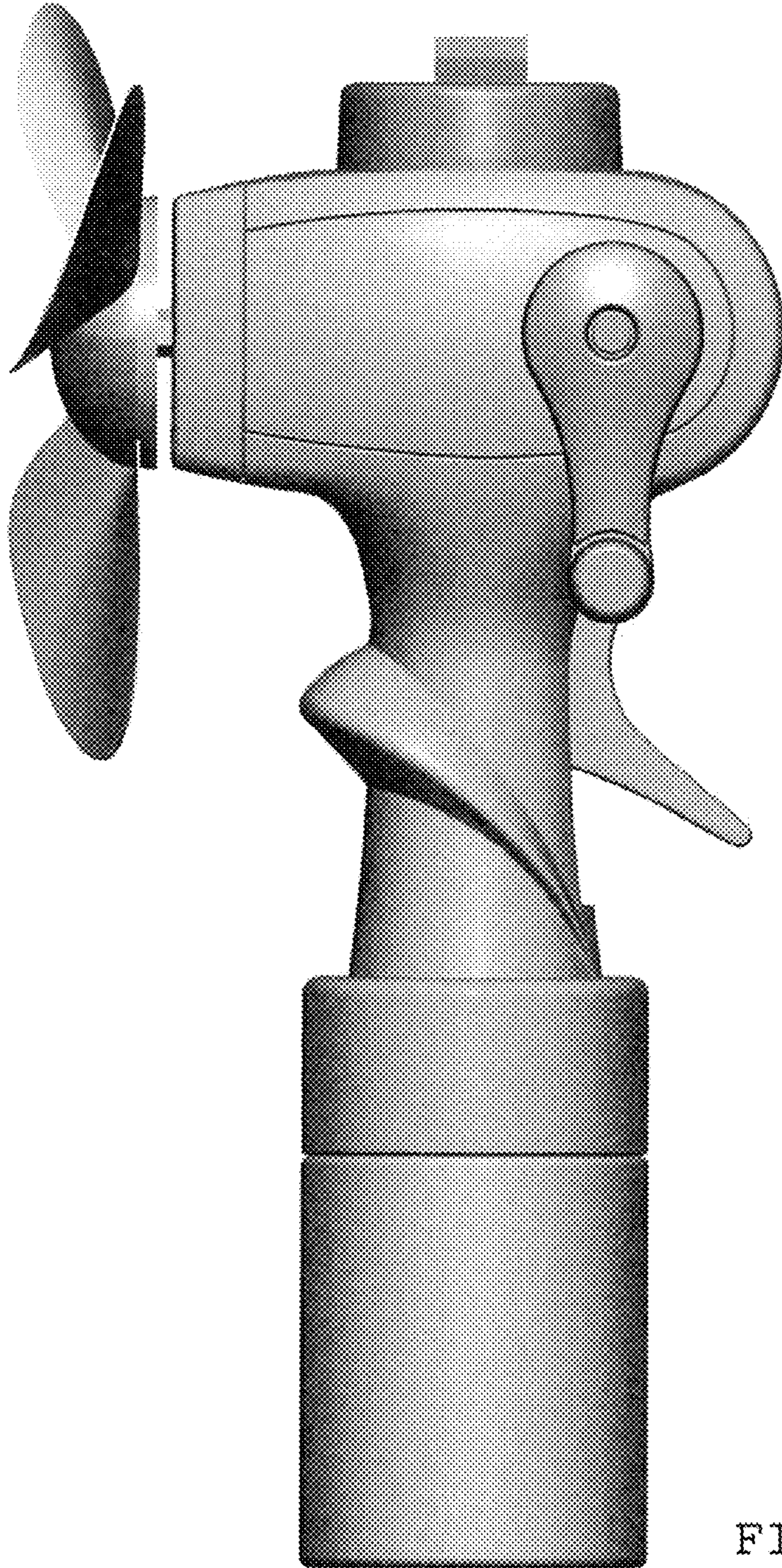


FIG. 3

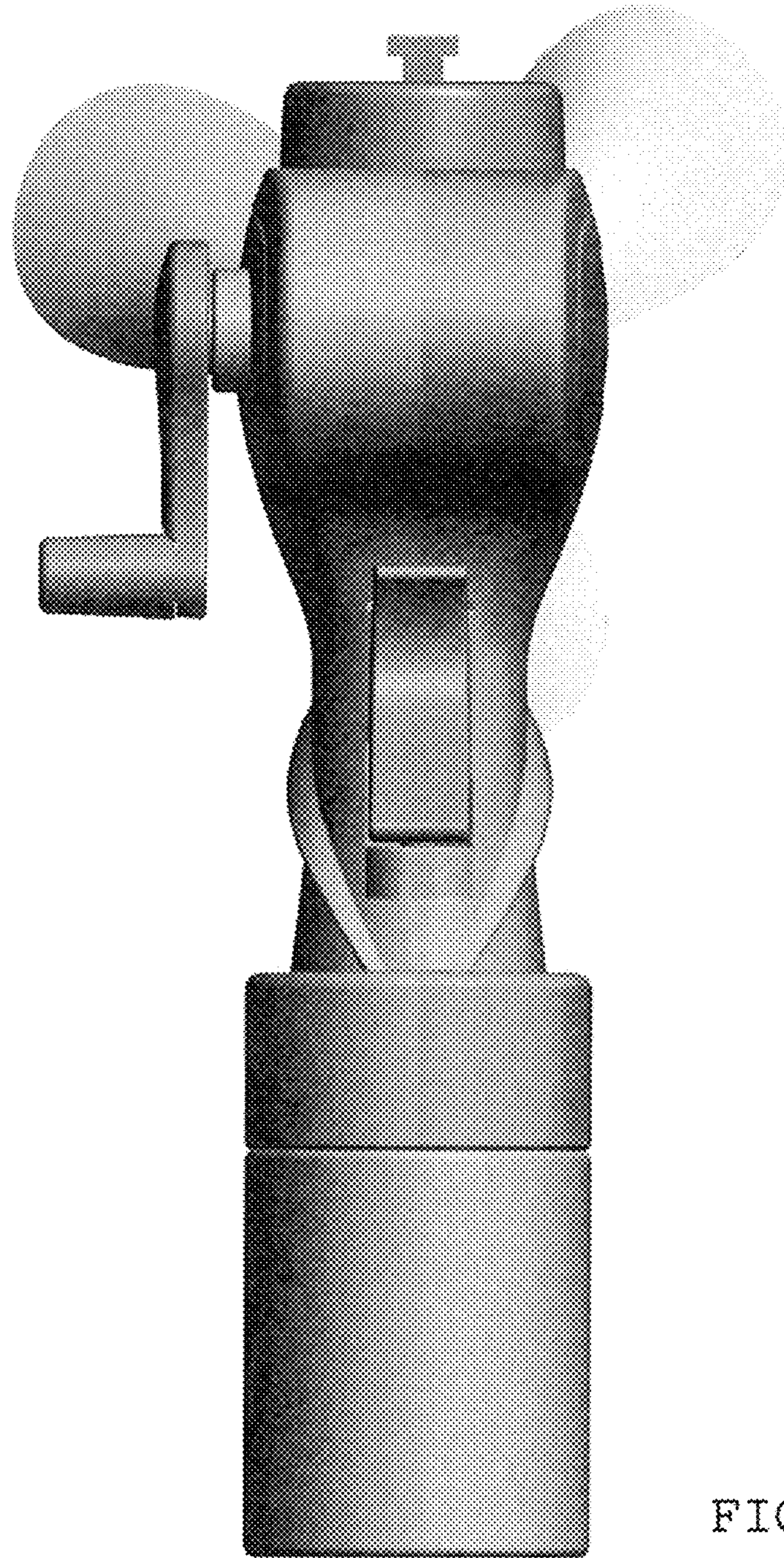


FIG. 4

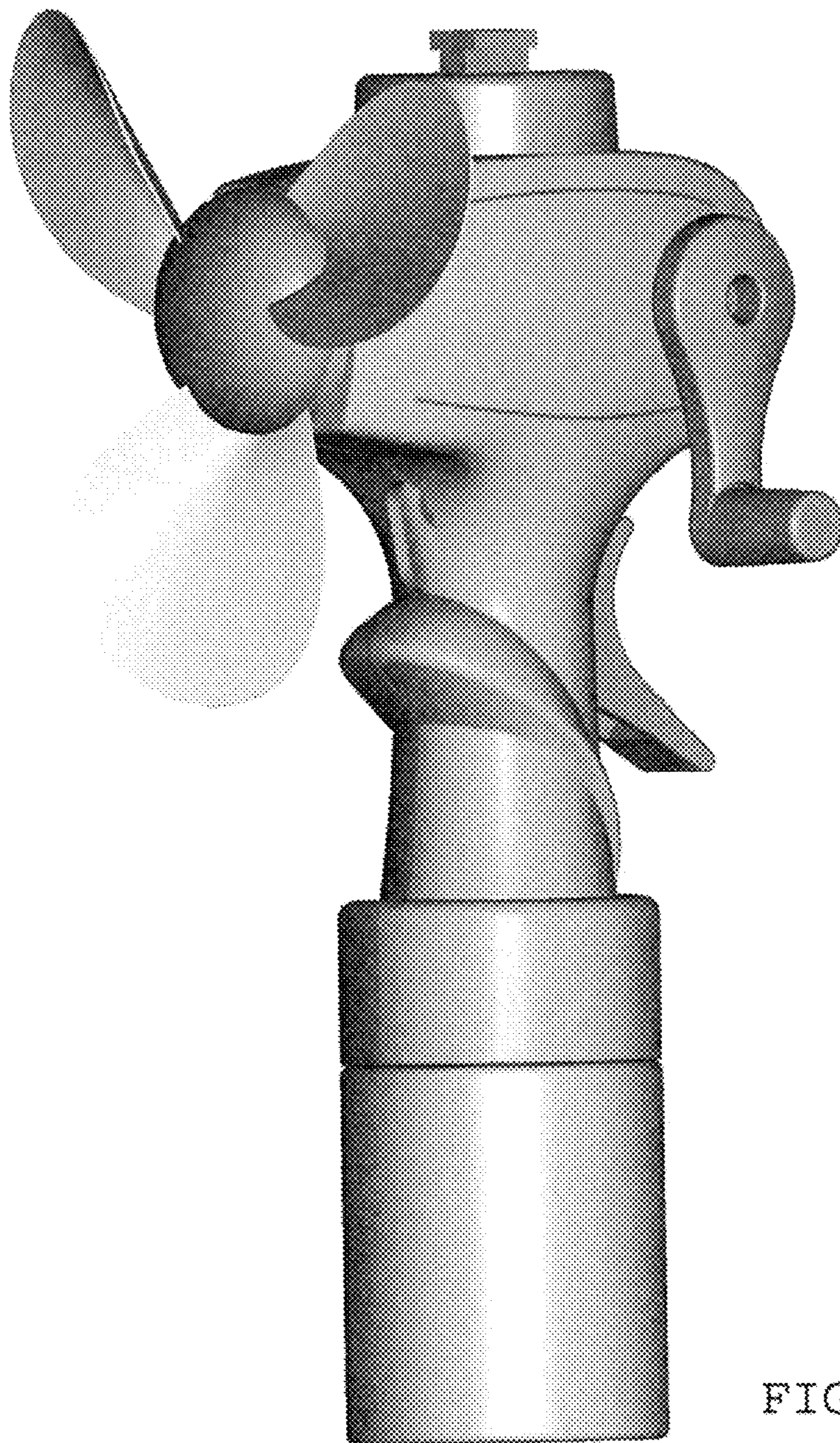


FIG. 5

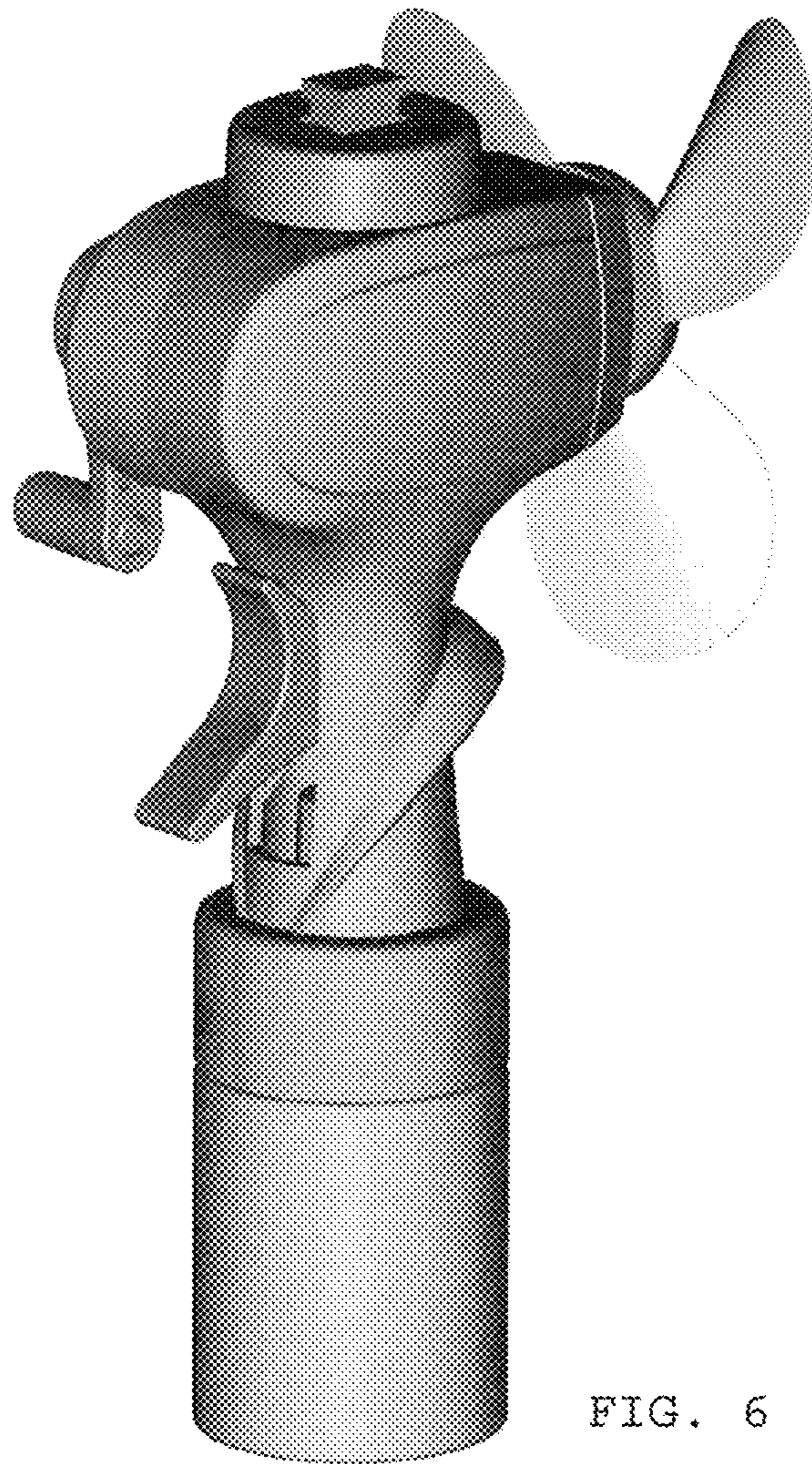


FIG. 6