



US00D799010S

(12) **United States Design Patent**
St-Pierre

(10) **Patent No.:** **US D799,010 S**
(45) **Date of Patent:** **** Oct. 3, 2017**

(54) **CLEANING BASIN**

D769,413 S * 10/2016 Liao D23/223

(71) Applicant: **Jacques St-Pierre**, Sherbrooke (CA)

* cited by examiner

(72) Inventor: **Jacques St-Pierre**, Sherbrooke (CA)

Primary Examiner — Robert A Delehanty

(**) Term: **15 Years**

(74) *Attorney, Agent, or Firm* — Eric Fincham

(21) Appl. No.: **29/505,445**

(22) Filed: **Nov. 2, 2015**

(57) **CLAIM**

(51) **LOC (10) Cl.** **23-02**

The ornamental design for a cleaning basin, as shown and described.

(52) **U.S. Cl.**

USPC **D23/271**

(58) **Field of Classification Search**

USPC D23/271–274, 285–286, 293.1, 308, 213,
D23/223–224; D6/644, 655, 655.1, 656,
D6/671, 707, 709.22, 519; D24/234;
D30/158

CPC ... A47B 33/00; E03C 1/14; E03C 1/18; E03C
1/182; A22C 17/08; B26D 7/088

See application file for complete search history.

DESCRIPTION

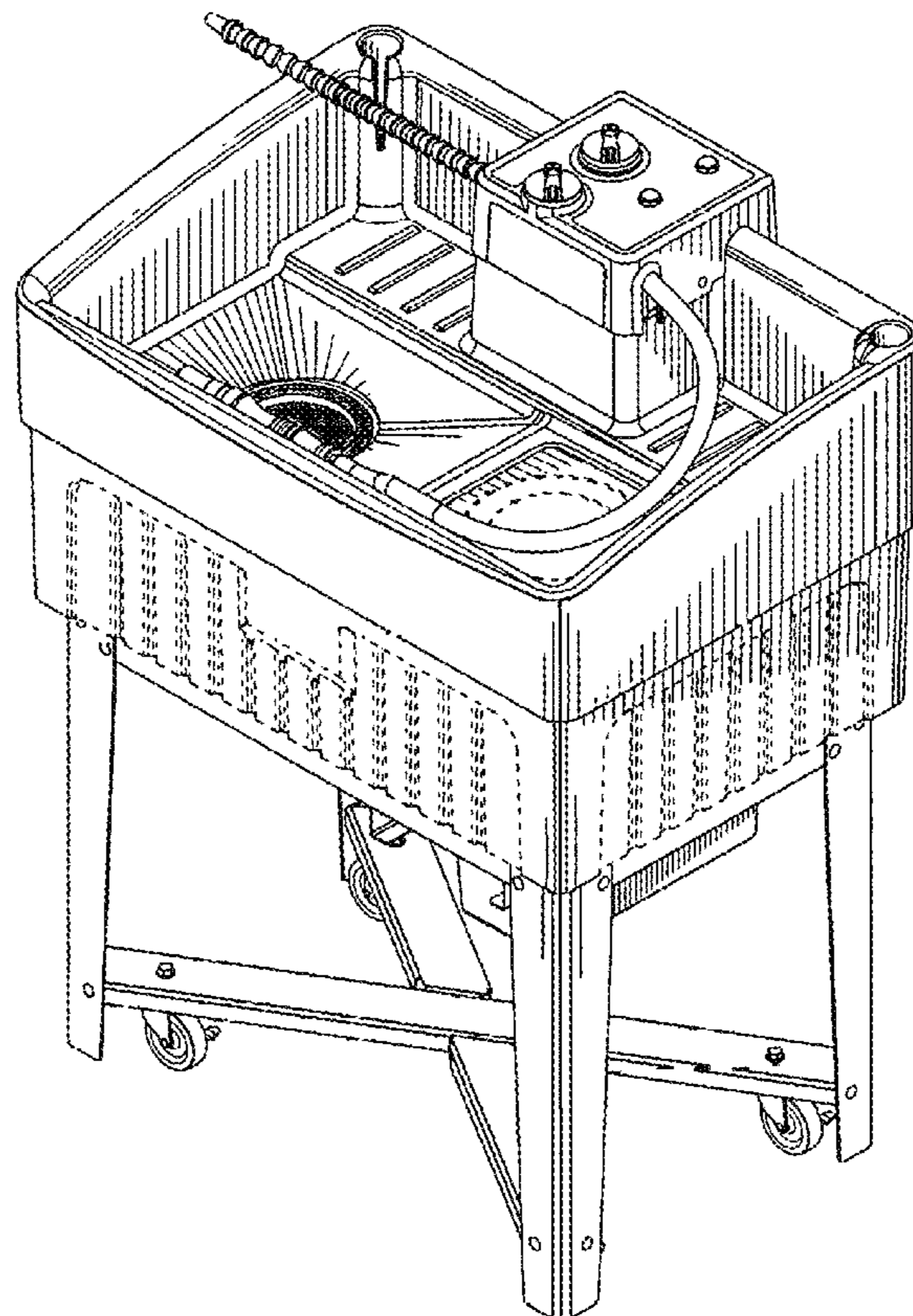
FIG. 1 is a perspective view of the cleaning basin;
FIG. 2 is a side elevational view thereof as seen from the left
hand side of FIG. 1;
FIG. 3 is a front elevational view thereof;
FIG. 4 is a side elevational view as seen from the right hand
side of FIG. 1;
FIG. 5 is a rear elevational view thereof; and,
FIG. 6 is a top plan view thereof.

(56) **References Cited**

U.S. PATENT DOCUMENTS

4,440,185 A * 4/1984 Wiltse B26D 7/088
134/104.4
7,954,183 B2 * 6/2011 Cawthon A22C 17/08
4/643

1 Claim, 3 Drawing Sheets



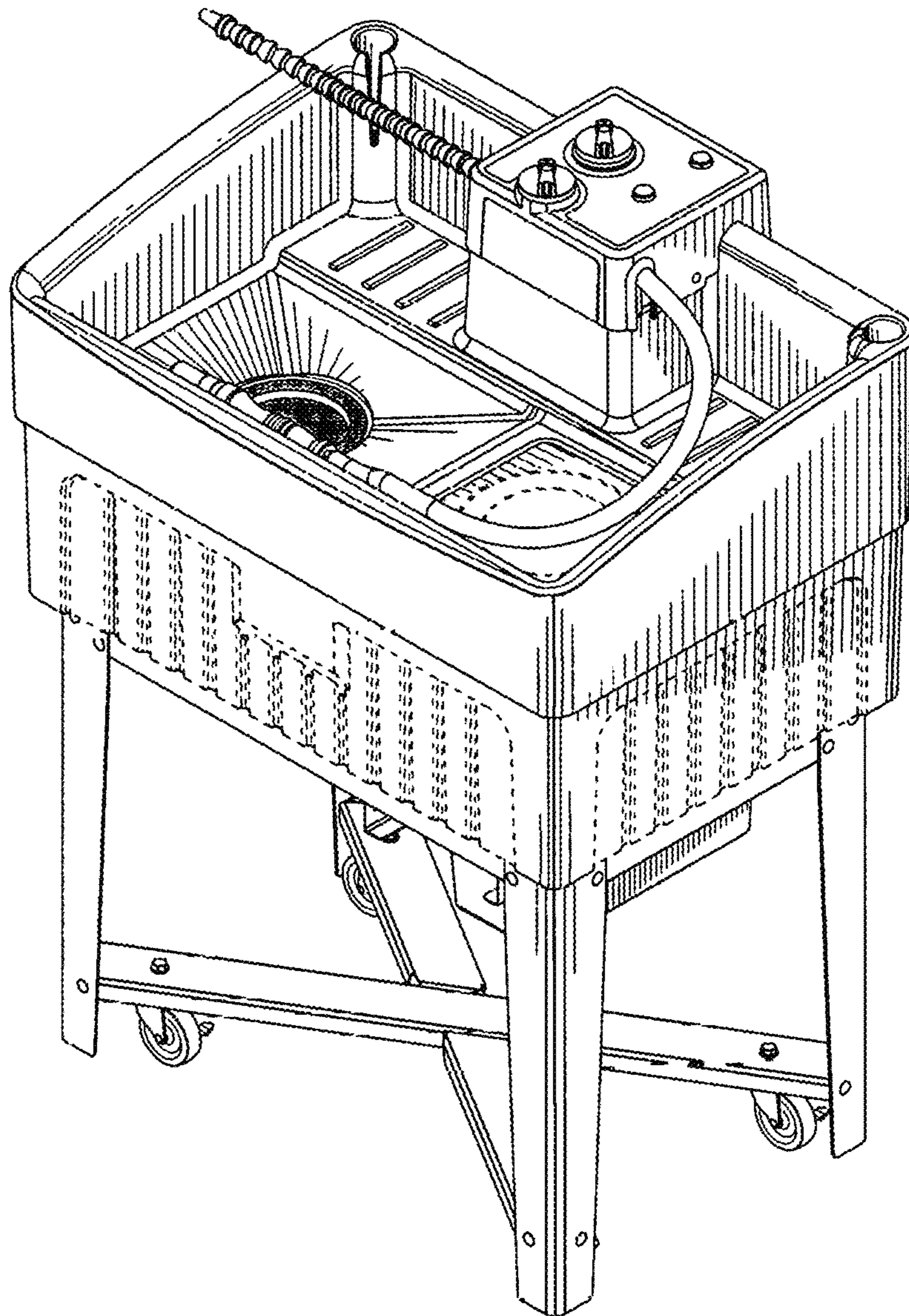


FIG. 1

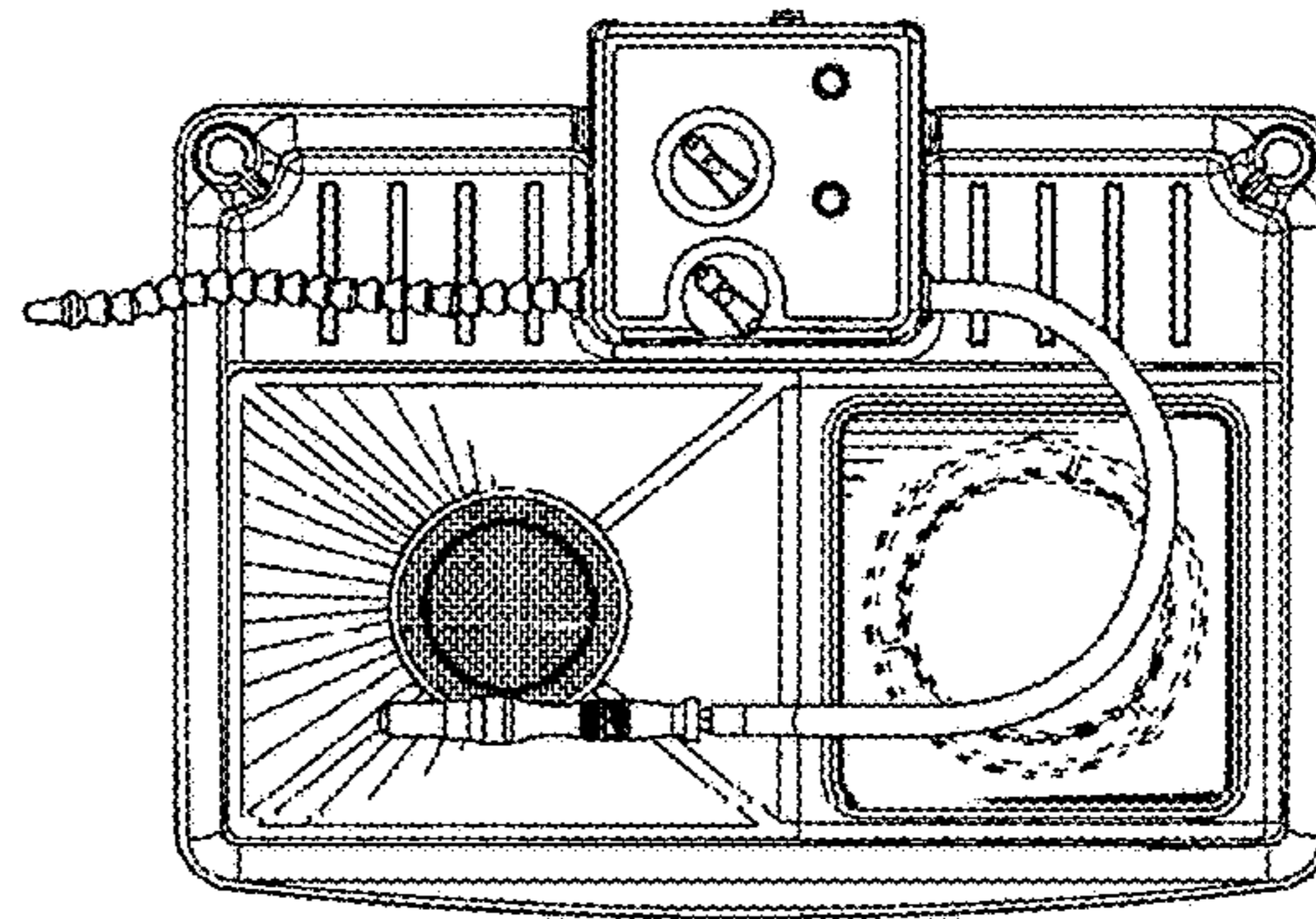


FIG. 6

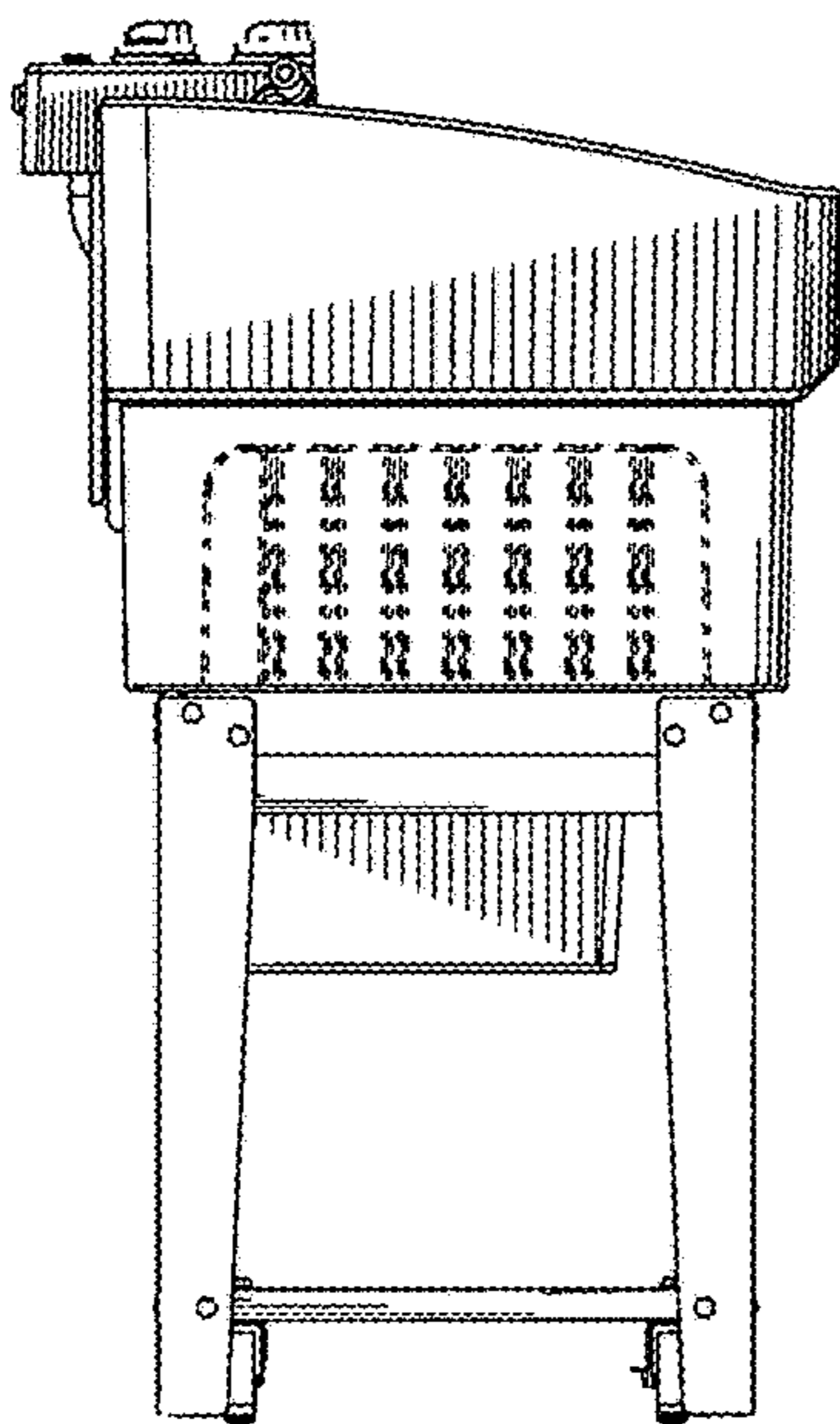


FIG. 2

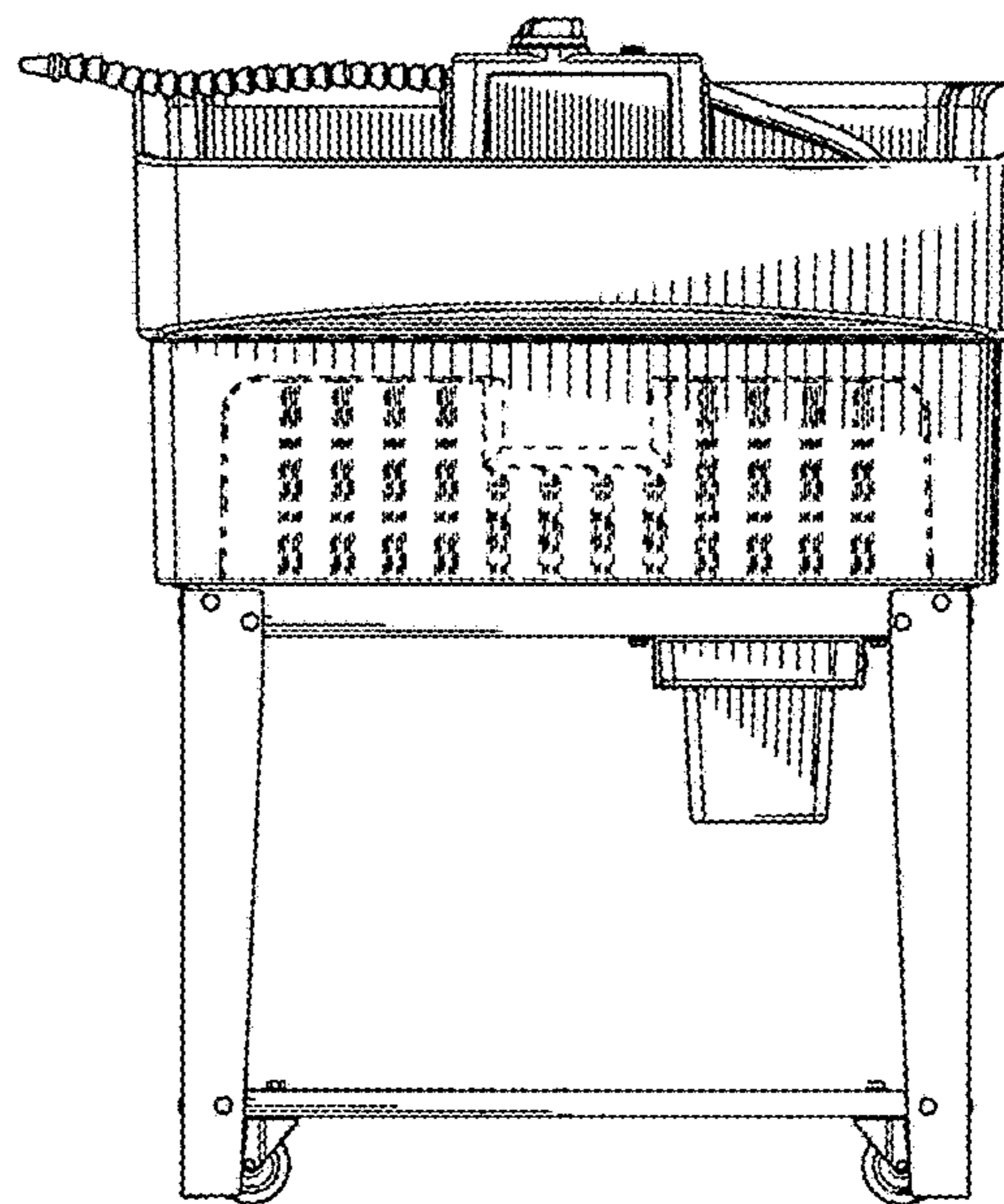


FIG. 3

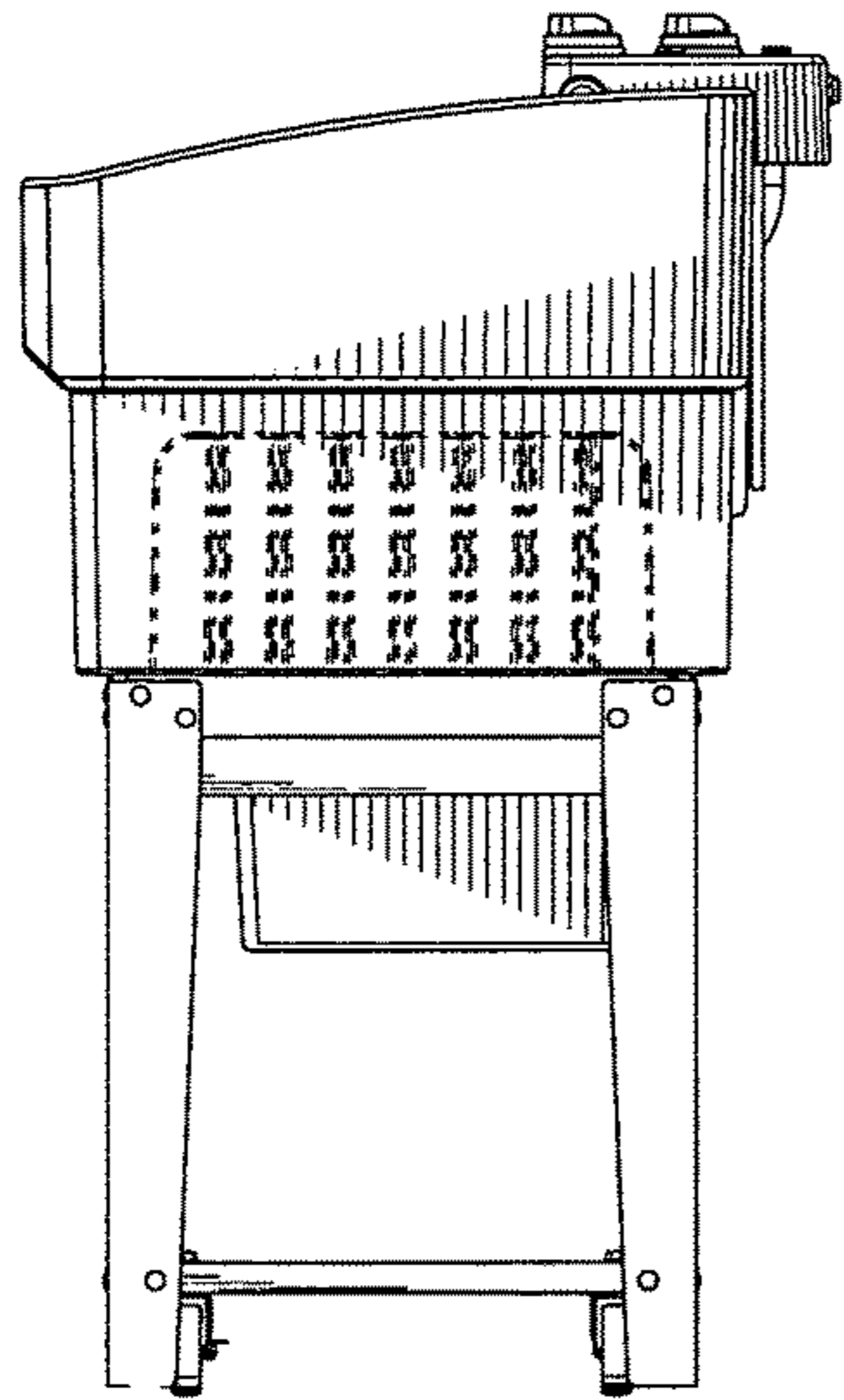


FIG. 4

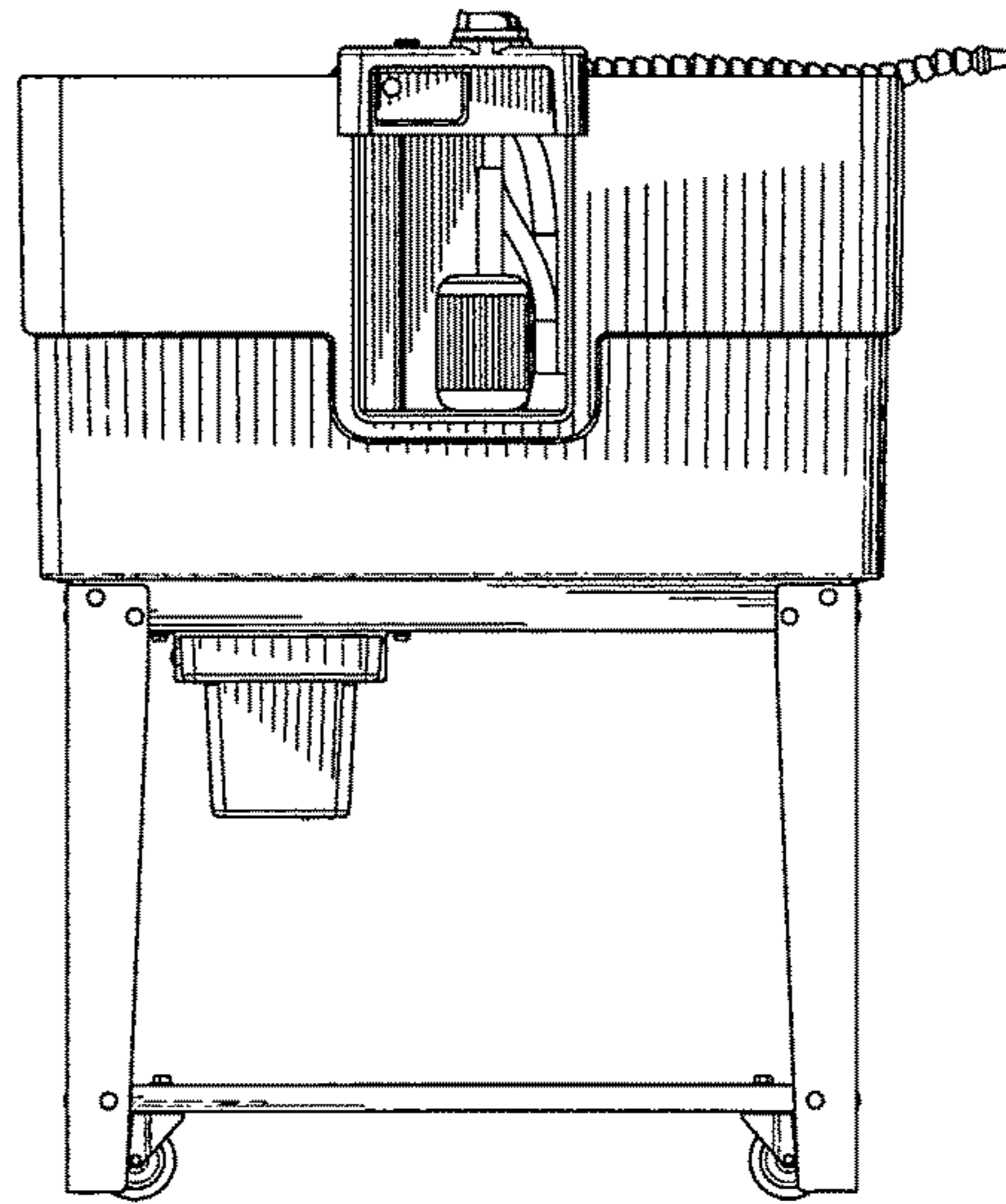


FIG. 5