



US00D799007S

(12) **United States Design Patent**
Cheng

(10) **Patent No.:** **US D799,007 S**
(45) **Date of Patent:** **** Oct. 3, 2017**

- (54) **SPRINKLER GUN**
- (71) Applicant: **Yuan Mei Corp.**, Chang Hua Hsien (TW)
- (72) Inventor: **Chi-Han Cheng**, Chang Hua Hsien (TW)
- (73) Assignee: **Yuan Mei Corp.**, Chang Hua Hsien (TW)
- (**) Term: **15 Years**
- (21) Appl. No.: **29/576,607**
- (22) Filed: **Sep. 6, 2016**
- (51) **LOC (10) Cl.** **23-01**
- (52) **U.S. Cl.**
USPC **D23/223**
- (58) **Field of Classification Search**
USPC D23/213, 223, 225, 226; 239/304, 239/DIG. 14, 146, 147; 222/465.1
CPC B05B 7/26; B05B 7/2443; B05B 9/0861; B05B 11/00; B05B 7/1413; B05B 9/01; B05B 9/03; B05B 7/1209; B05B 12/002
See application file for complete search history.

- 8,950,693 B2 * 2/2015 Hsieh B05B 1/3026 239/525
- D726,872 S * 4/2015 Thurgood D23/223
- 9,073,075 B2 * 7/2015 Chen B05B 1/3026
- D748,758 S * 2/2016 Duong D23/223
- 9,427,759 B2 * 8/2016 Chiu B05B 9/01
- 9,427,760 B2 * 8/2016 Chiu B05B 9/01
- D767,091 S * 9/2016 Chen D23/223
- D771,774 S * 11/2016 Chen D23/223
- D779,036 S * 2/2017 Chen D23/223

* cited by examiner

Primary Examiner — Robin V Webster

(74) *Attorney, Agent, or Firm* — Senniger Powers LLP

(57) **CLAIM**

The ornamental design for a sprinkler gun, as shown and described.

DESCRIPTION

FIG. 1 is a perspective view of a sprinkler gun showing my new design;
 FIG. 2 is a left side elevational view thereof;
 FIG. 3 is a right side elevational view thereof;
 FIG. 4 is a rear elevational view thereof;
 FIG. 5 is a front elevational view thereof;
 FIG. 6 is a top plan view thereof;
 FIG. 7 is a bottom plan view thereof; and,
 FIG. 8 is an enlarged sectional view taken in the direction of line 8-8 of FIG. 4 to a show the shape of a typical dimple on the surface of the sprinkler gun.

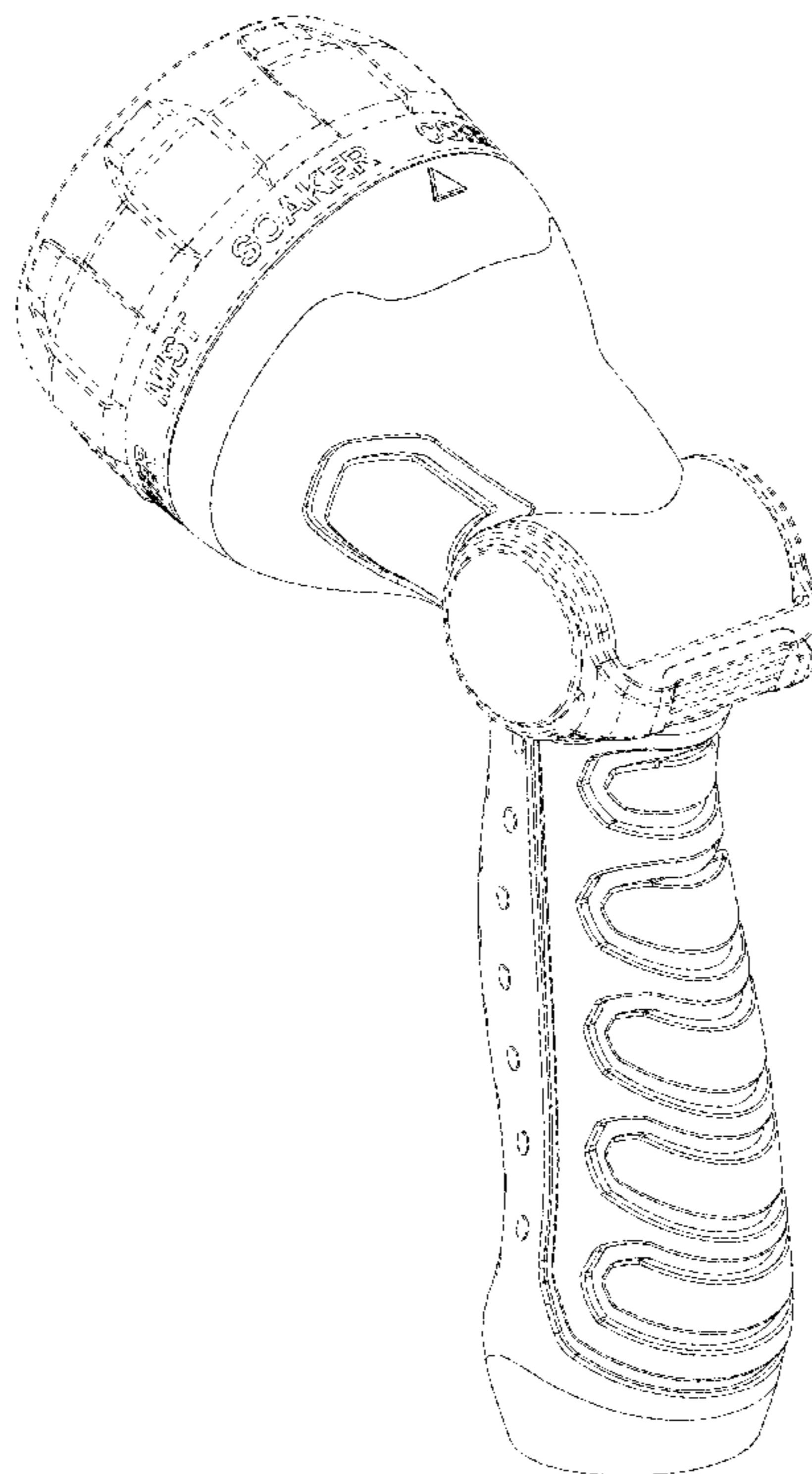
Portions of the sprinkler gun are shown in broken lines for illustrative purposes and form no part of the claimed design.

(56) **References Cited**

U.S. PATENT DOCUMENTS

- D604,390 S * 11/2009 Cheng D23/223
- D650,042 S * 12/2011 Nies D23/223
- D650,043 S * 12/2011 Nies D23/223
- D702,319 S * 4/2014 Mammen D23/223

1 Claim, 8 Drawing Sheets



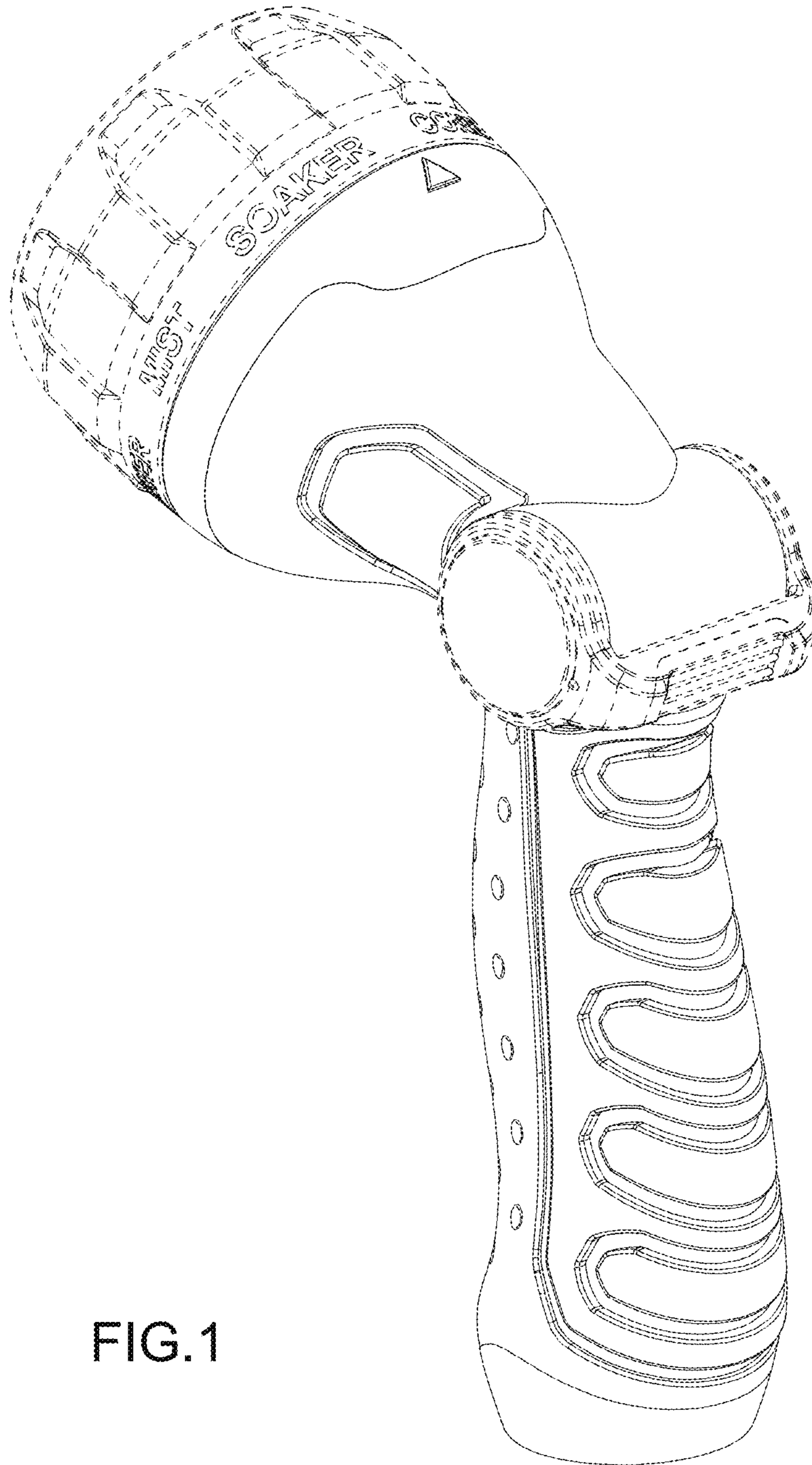


FIG.1

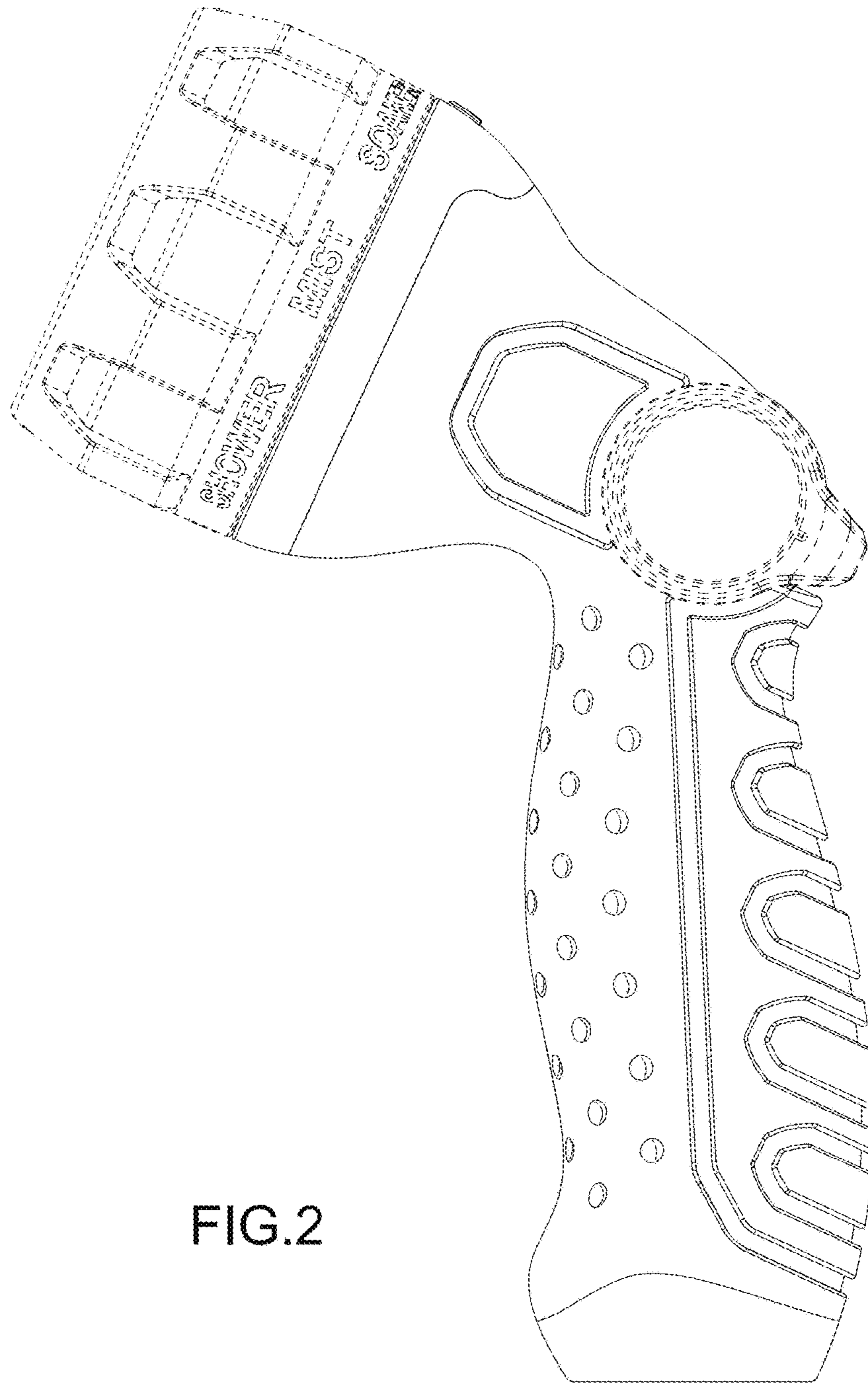


FIG.2

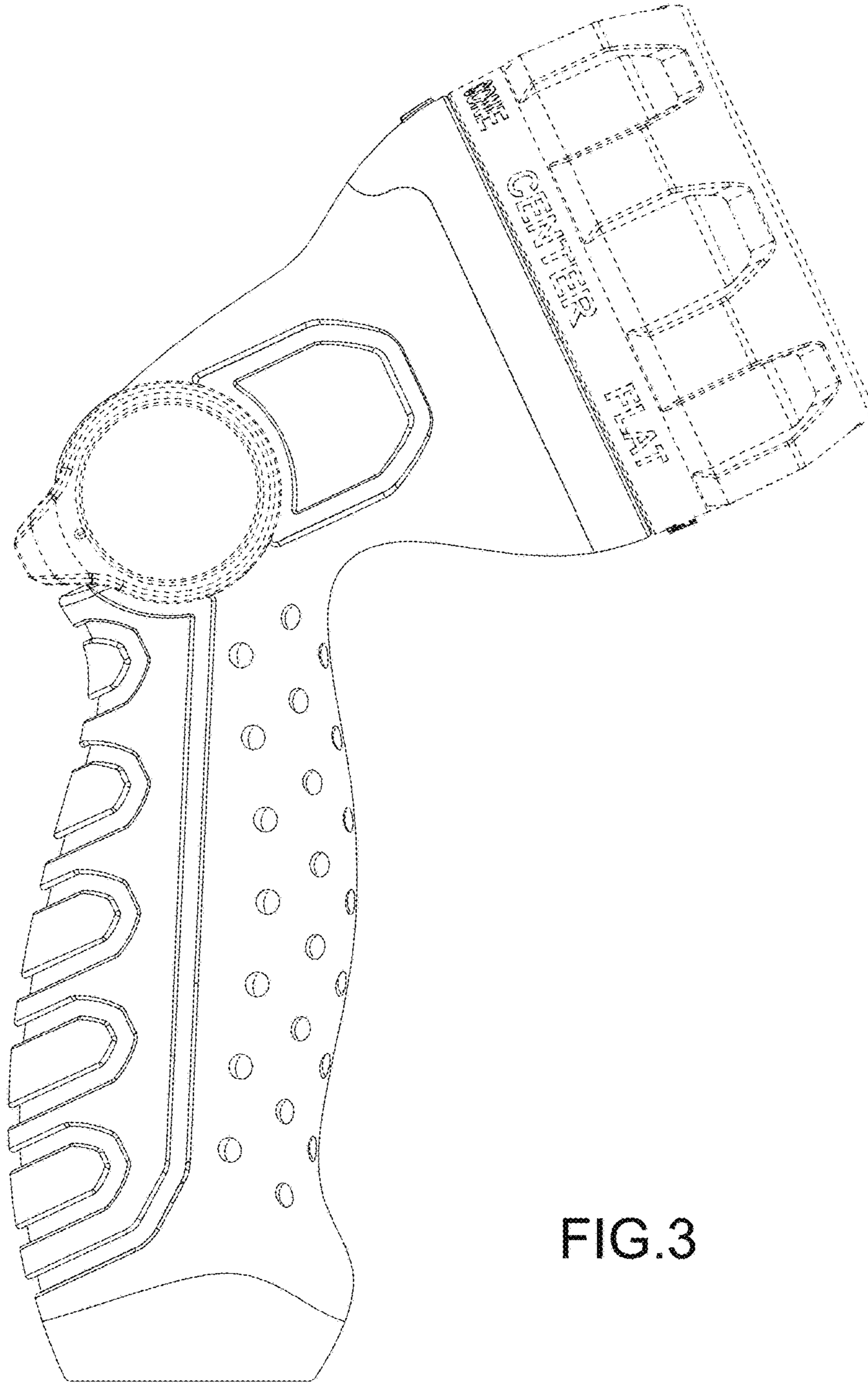


FIG. 3

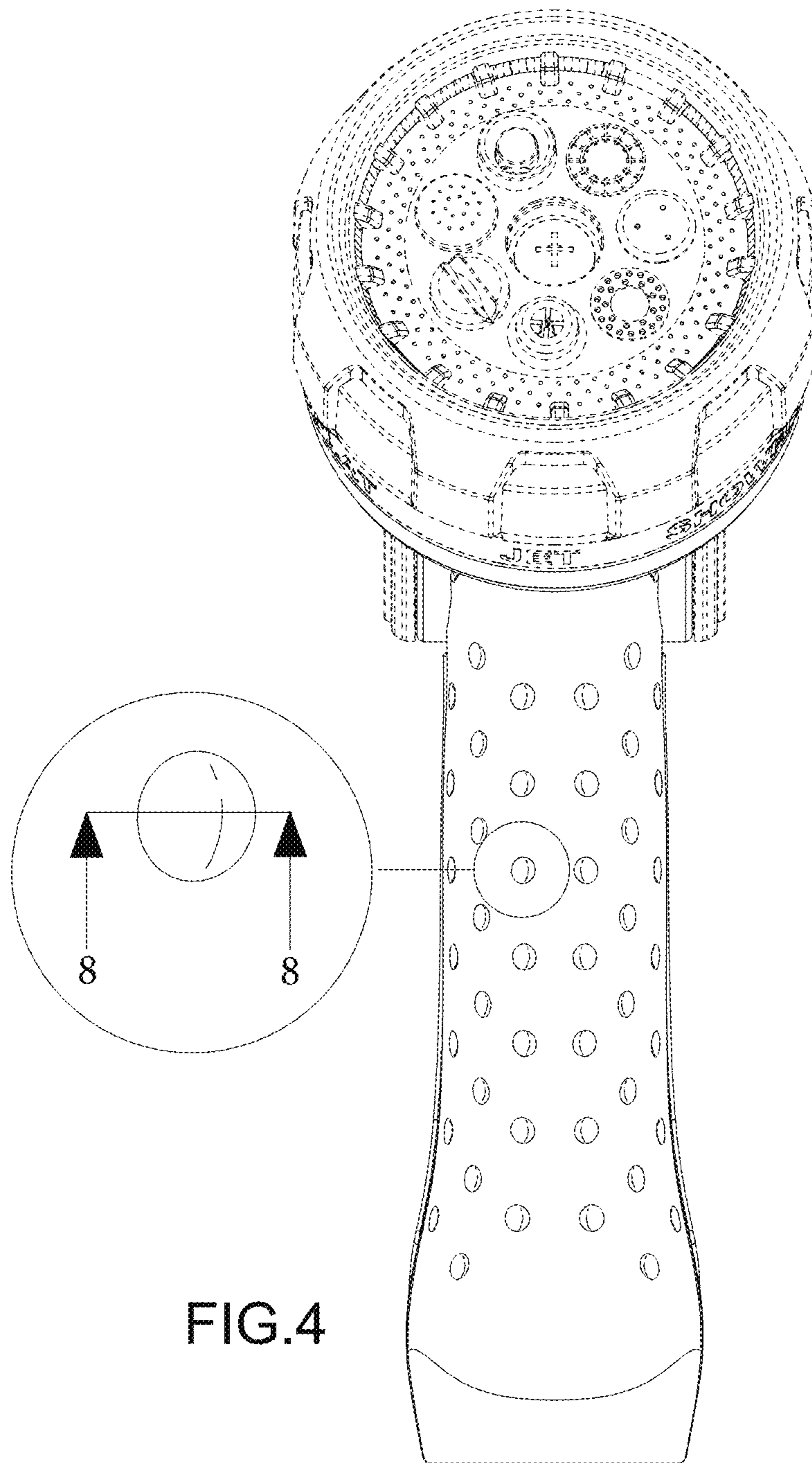


FIG. 4

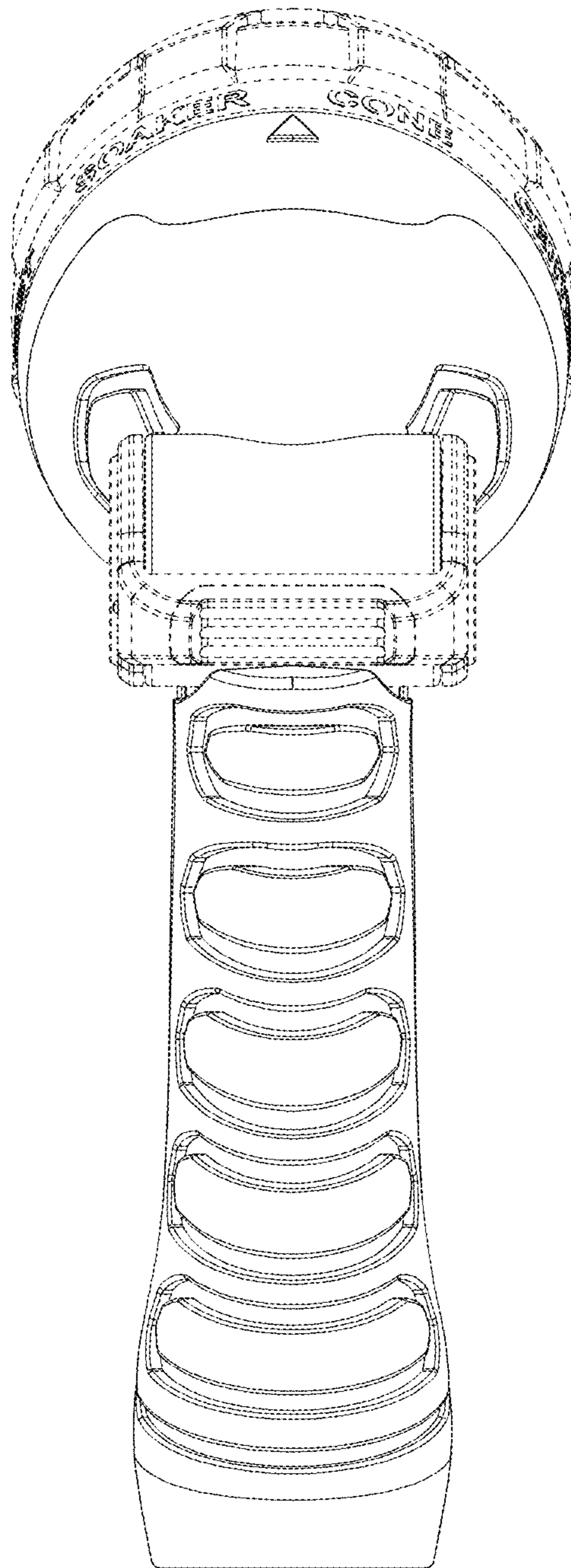


FIG.5

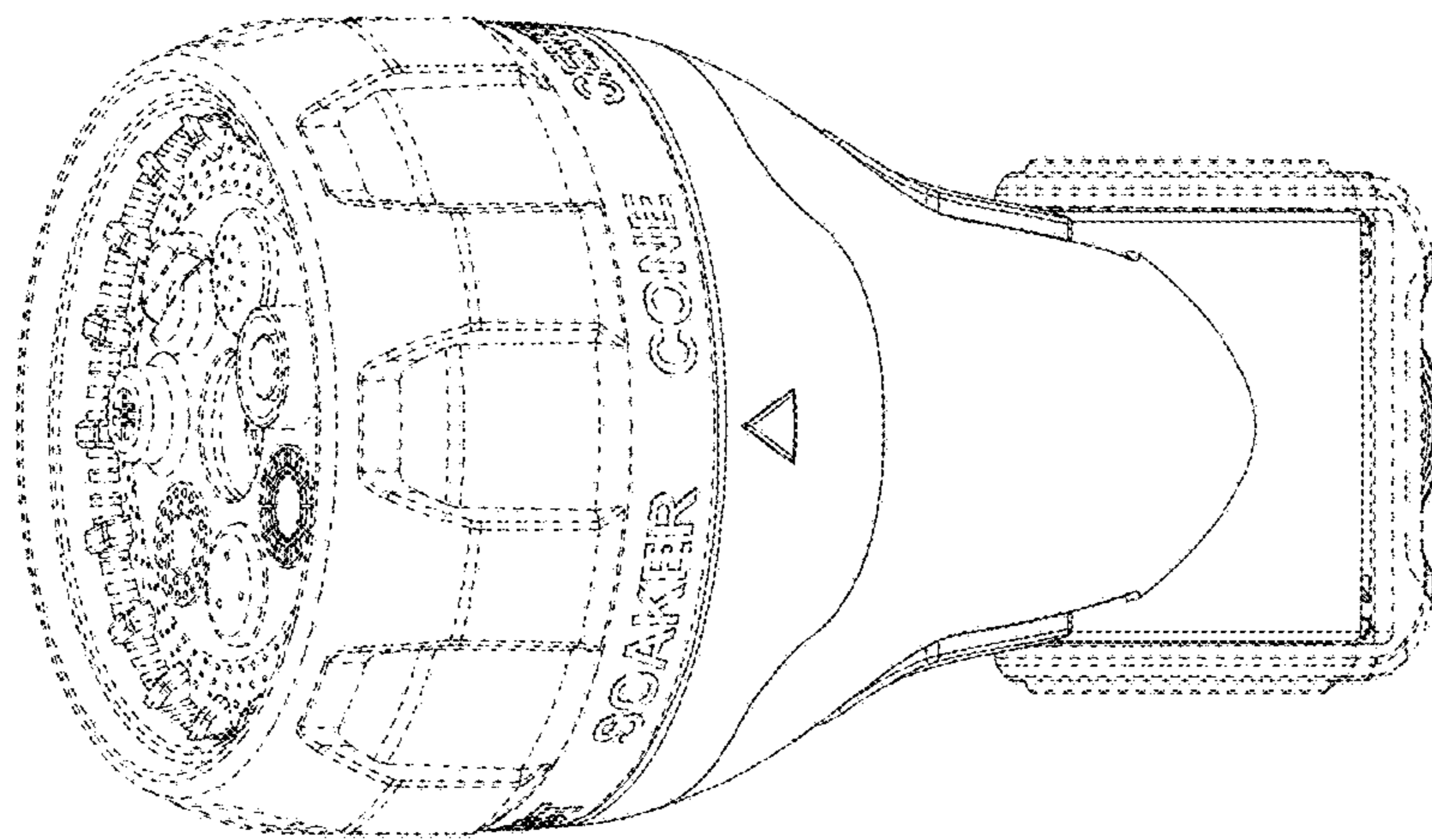


FIG.6

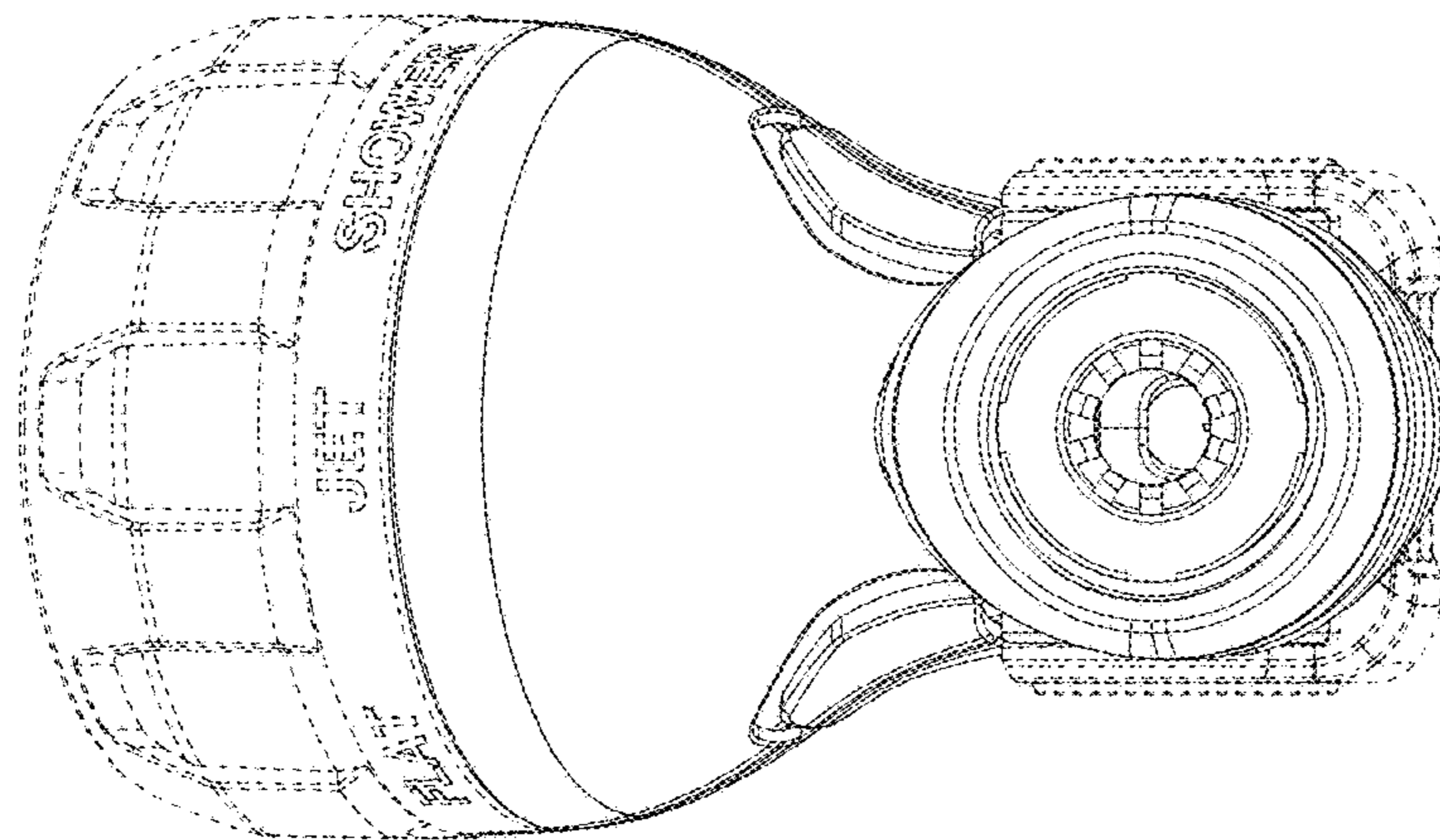


FIG.7

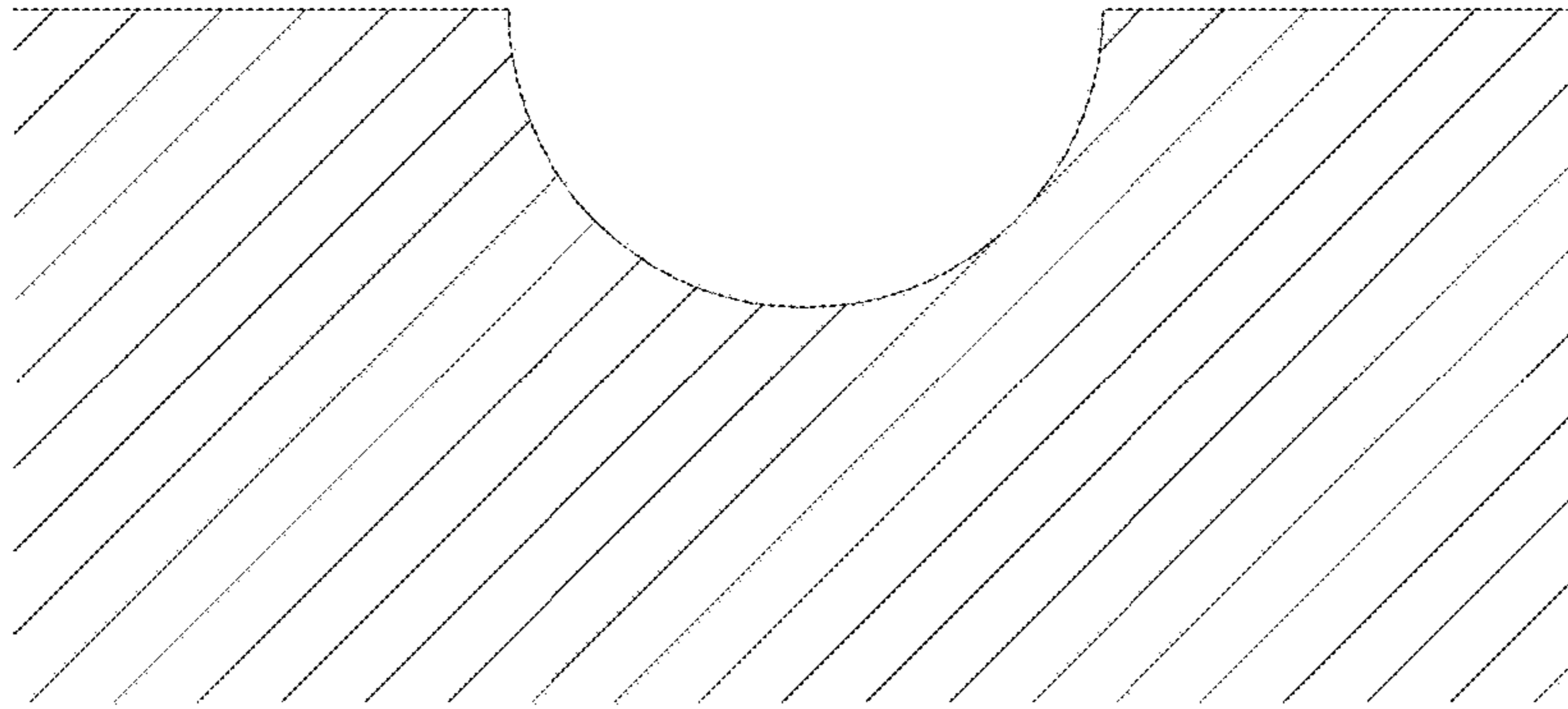


FIG.8
TYPICAL