



US00D799003S

(12) **United States Design Patent**
Wojan et al.

(10) **Patent No.:** **US D799,003 S**
(45) **Date of Patent:** **** Oct. 3, 2017**

- (54) **HOSE NOZZLE**
- (71) Applicant: **PROFESSIONAL TOOL PRODUCTS, LLC**, Travelers Rest, SC (US)
- (72) Inventors: **Richard Glenn Wojan**, Travelers Rest, SC (US); **Chengju Hsu**, New Taipei (TW)
- (73) Assignee: **PROFESSIONAL TOOL PRODUCTS, LLC**, Travelers Rest, SC (US)

- D473,286 S 4/2003 Bonzer
- D479,573 S 9/2003 Chen
- D482,428 S 11/2003 Fulwider
- D501,913 S 2/2005 Chen
- 7,240,858 B2 7/2007 Wang
- 7,434,750 B2* 10/2008 Roman B05B 12/002 239/526
- D658,268 S 4/2012 Bonzer
- D677,362 S 3/2013 Christopher
- D690,798 S 10/2013 Bonzer
- 8,584,768 B2* 11/2013 Trapp A62C 31/03 169/70
- 8,794,546 B2 8/2014 Eley et al.
- D726,872 S* 4/2015 Thurgood D23/223
- D736,349 S 8/2015 Wojan

(Continued)

(**) Term: **15 Years**

(21) Appl. No.: **29/572,049**

(22) Filed: **Jul. 25, 2016**

(51) **LOC (10) Cl.** **23-01**

(52) **U.S. Cl.**
USPC **D23/223**

(58) **Field of Classification Search**
USPC D23/213, 223, 225, 226; 239/304, 239/DIG. 14, 146, 147; 222/465.1
CPC B05B 7/26; B05B 7/2443; B05B 9/0861; B05B 11/00; B05B 7/1413; B05B 9/01; B05B 9/03; B05B 7/1209; B05B 12/002; A62C 31/02; A62C 31/03
See application file for complete search history.

(56) **References Cited**

U.S. PATENT DOCUMENTS

- 3,093,318 A 6/1963 Chow
- 3,387,791 A 6/1968 Allenbaugh, Jr.
- 4,469,279 A 9/1984 Allenbaugh, Jr.
- D456,488 S 4/2002 Bonzer
- D461,228 S* 8/2002 Huang D23/223
- D469,503 S 1/2003 Liang
- D472,300 S 3/2003 Chen
- D473,284 S 4/2003 Pong

Primary Examiner — Robin V Webster

(74) *Attorney, Agent, or Firm* — J. Bennett Mullinax, LLC

(57) **CLAIM**

The ornamental design for a hose nozzle, as shown and described.

DESCRIPTION

FIG. 1 is a front perspective view of the hose nozzle according to the embodiment of the present design.

FIG. 2 is a front view of the hose nozzle as shown in FIG. 1;

FIG. 3 is a rear view of the hose nozzle as shown in FIG. 1;

FIG. 4 is a right side view of the hose nozzle as shown in FIG. 1;

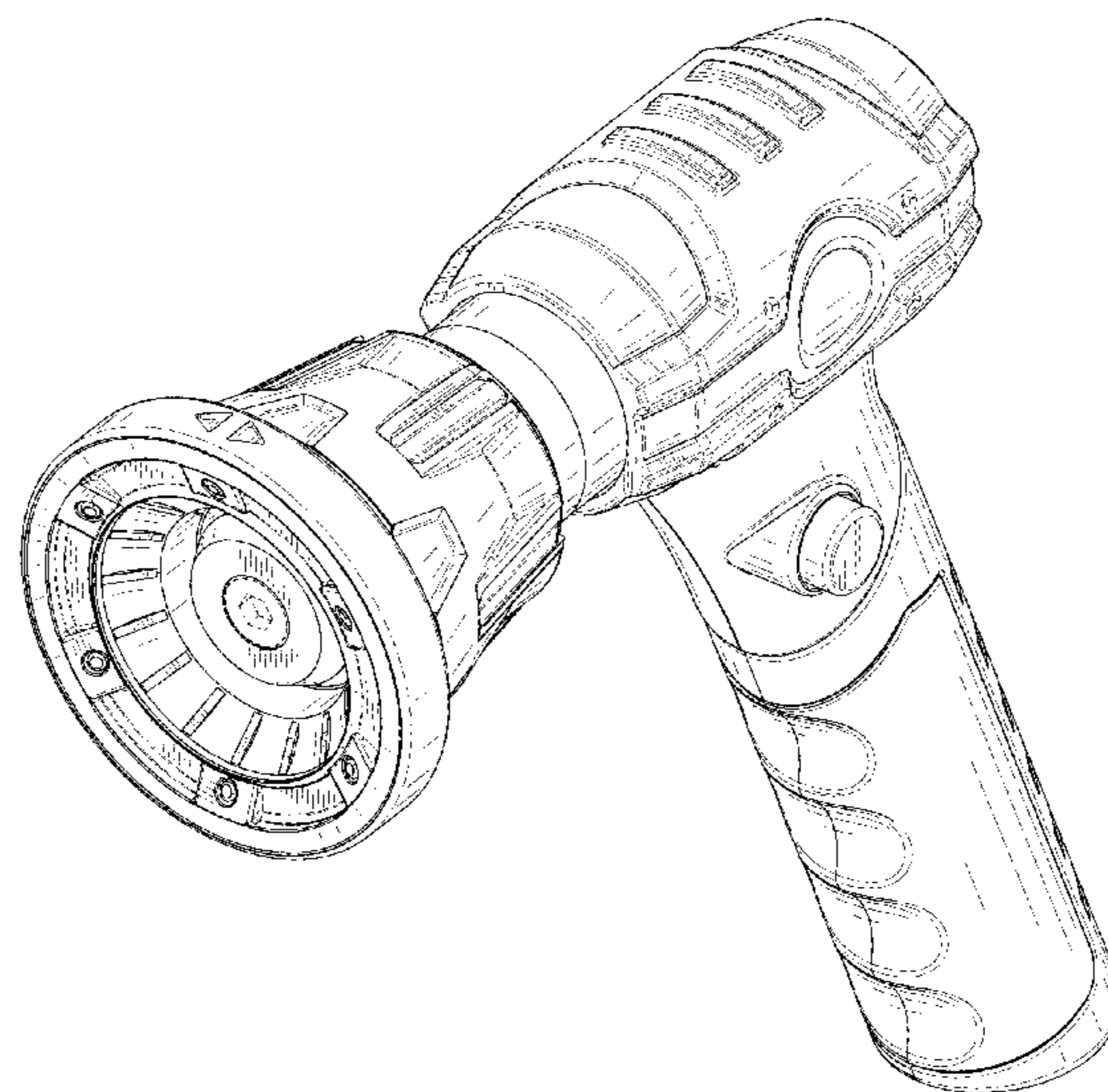
FIG. 5 is a left side view of the hose nozzle as shown in FIG. 1;

FIG. 6 is a top view of the hose nozzle as shown in FIG. 1; and,

FIG. 7 is a bottom view of the hose nozzle as shown in FIG. 1.

The broken lines shown in FIGS. 1-7 are for illustrative purposes only and form no part of the claimed design.

1 Claim, 7 Drawing Sheets



(56)

References Cited

U.S. PATENT DOCUMENTS

D749,697 S	2/2016	Wojan	
D757,898 S *	5/2016	Yu	D23/226
D767,091 S *	9/2016	Chen	D23/223

* cited by examiner

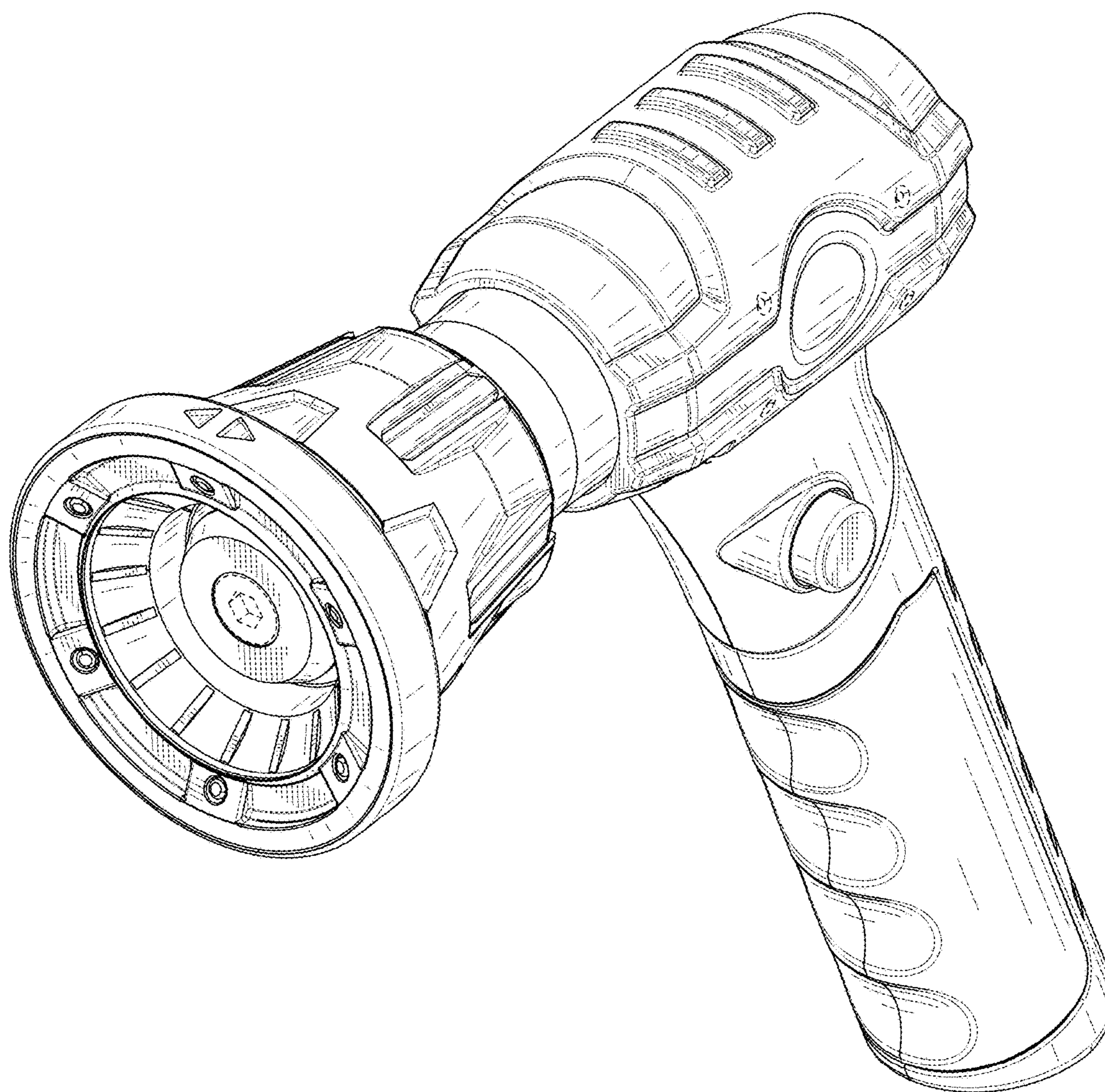


FIG. 1

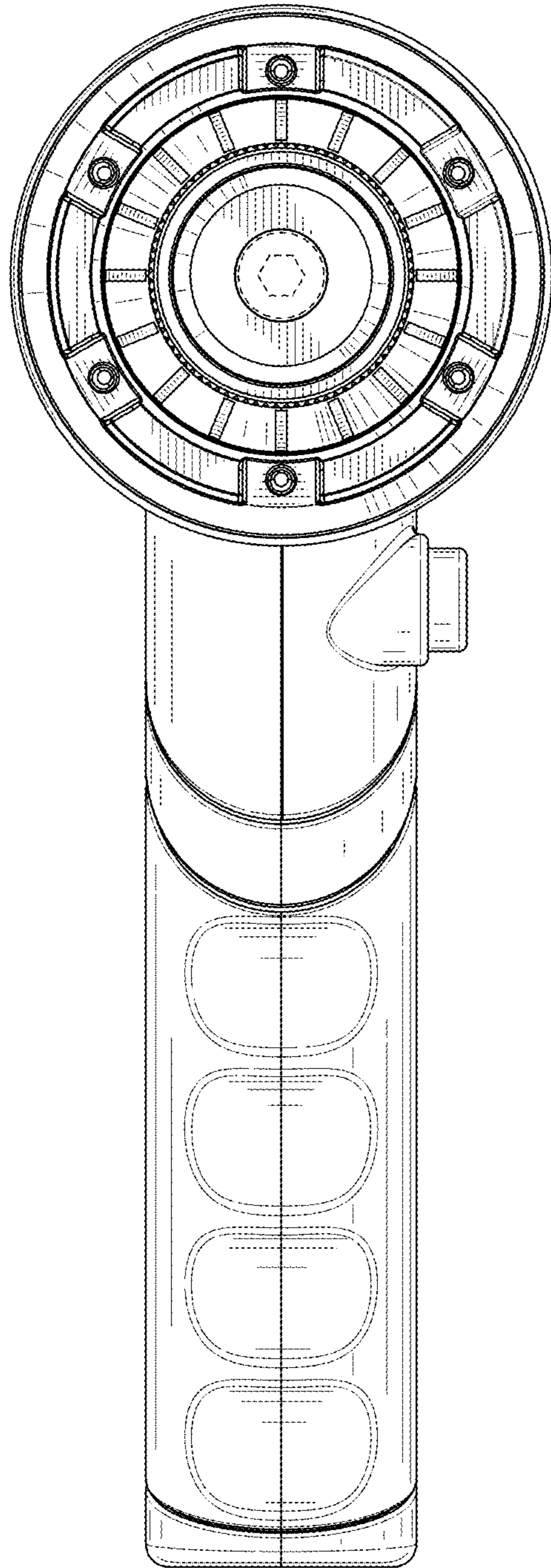


FIG. 2

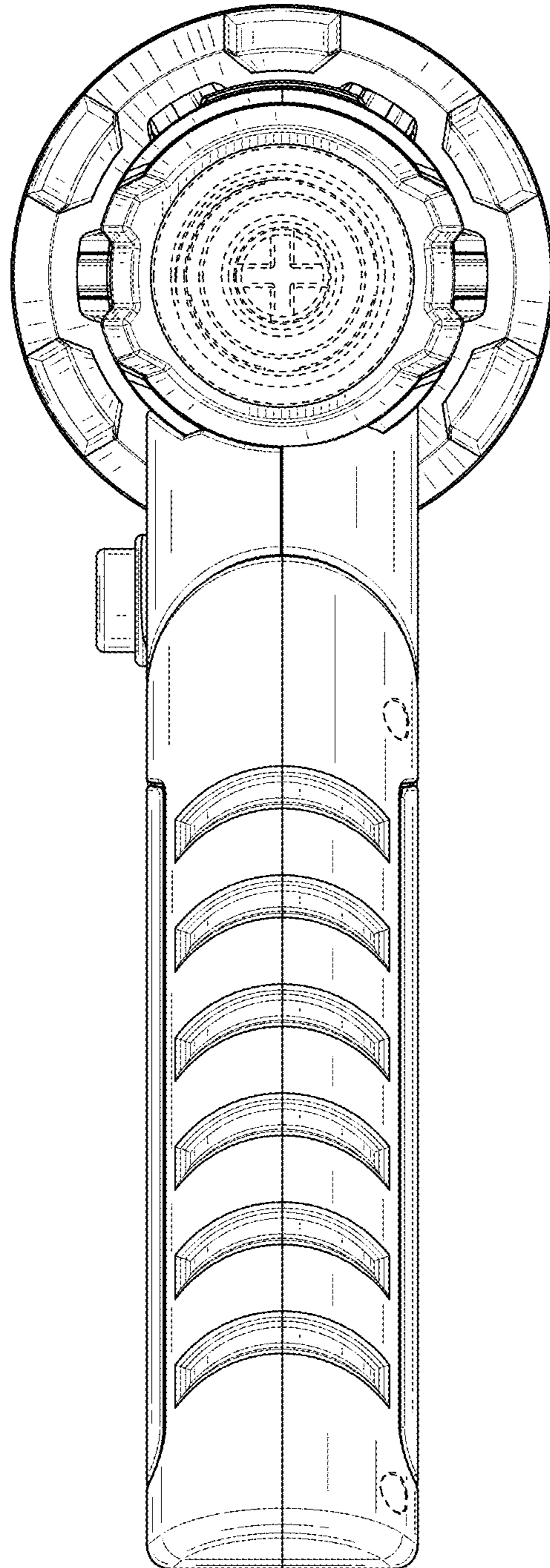


FIG. 3

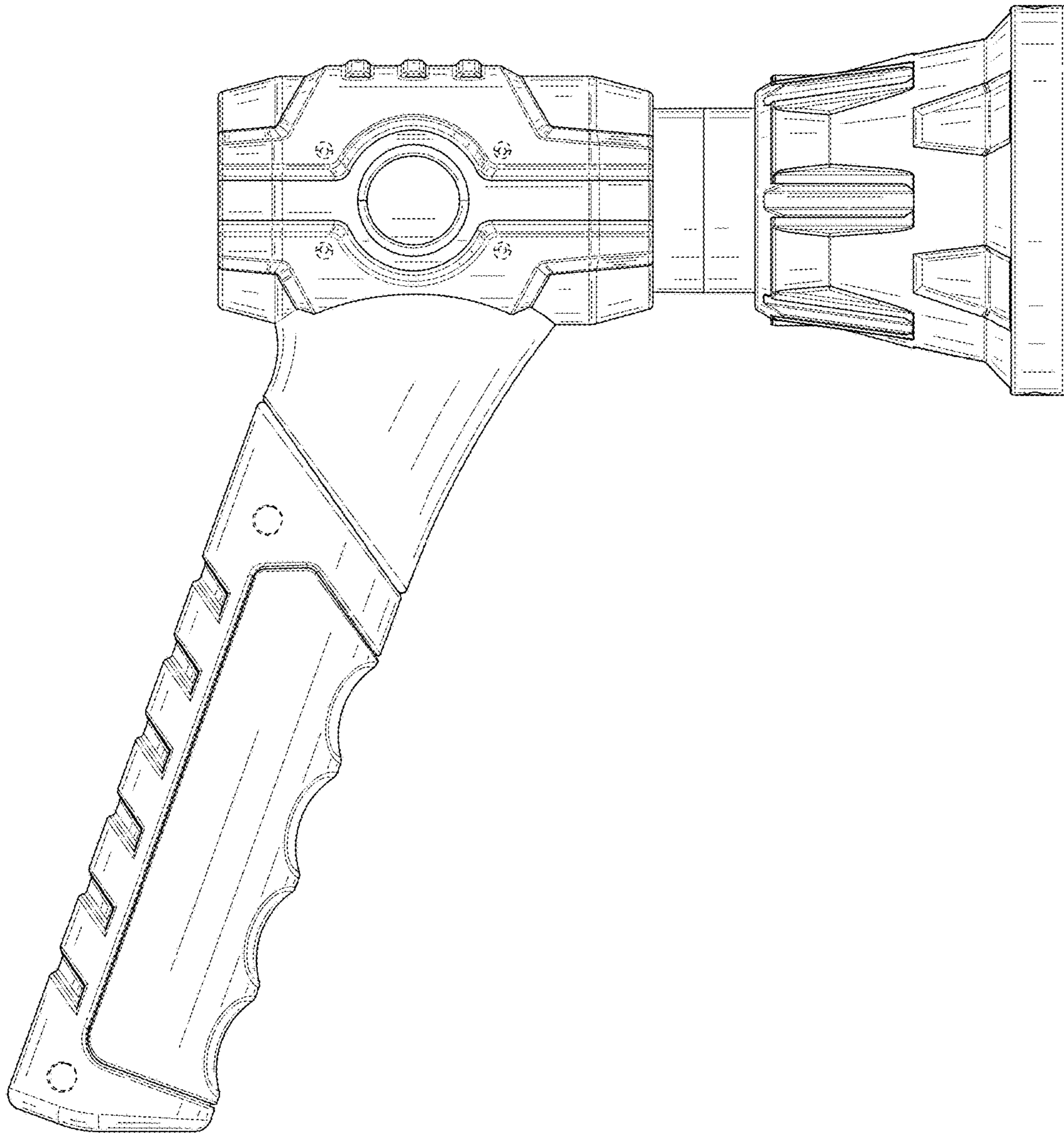


FIG. 4

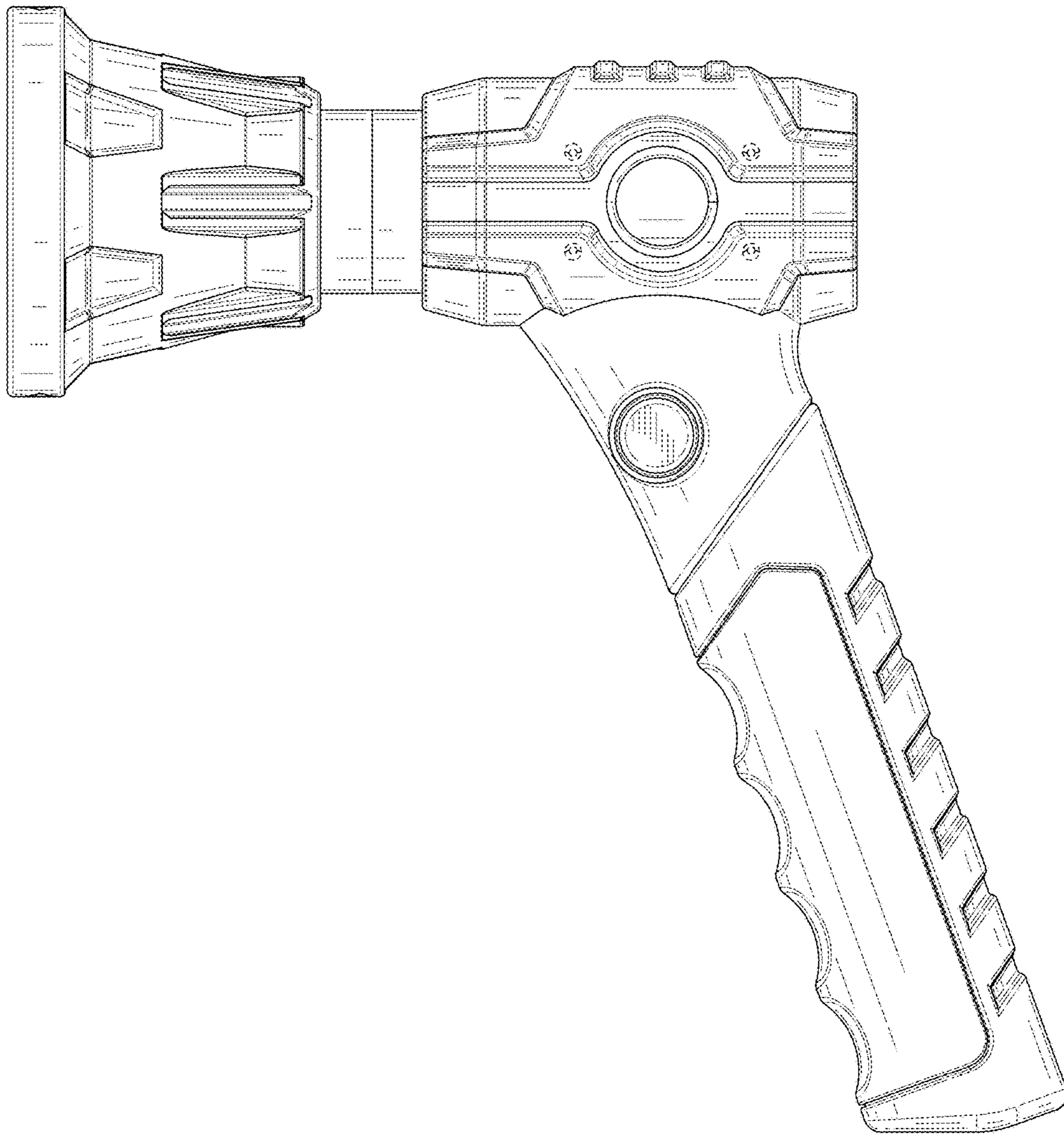


FIG. 5

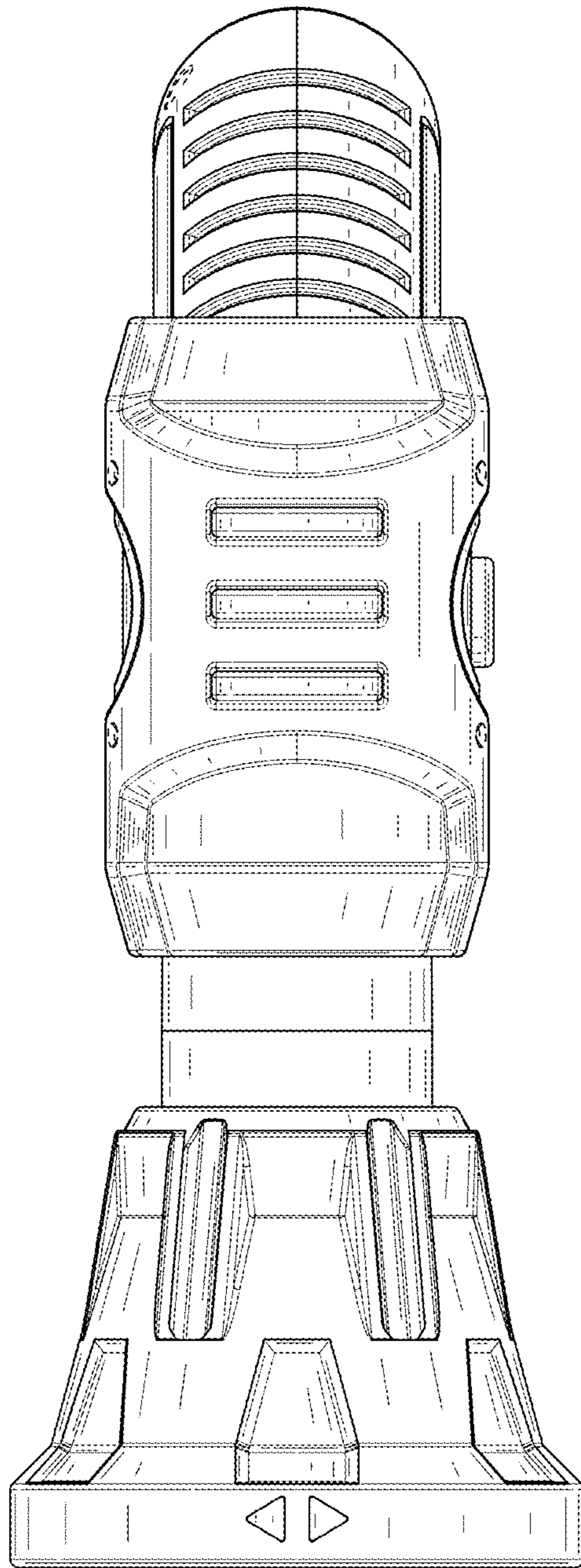


FIG. 6

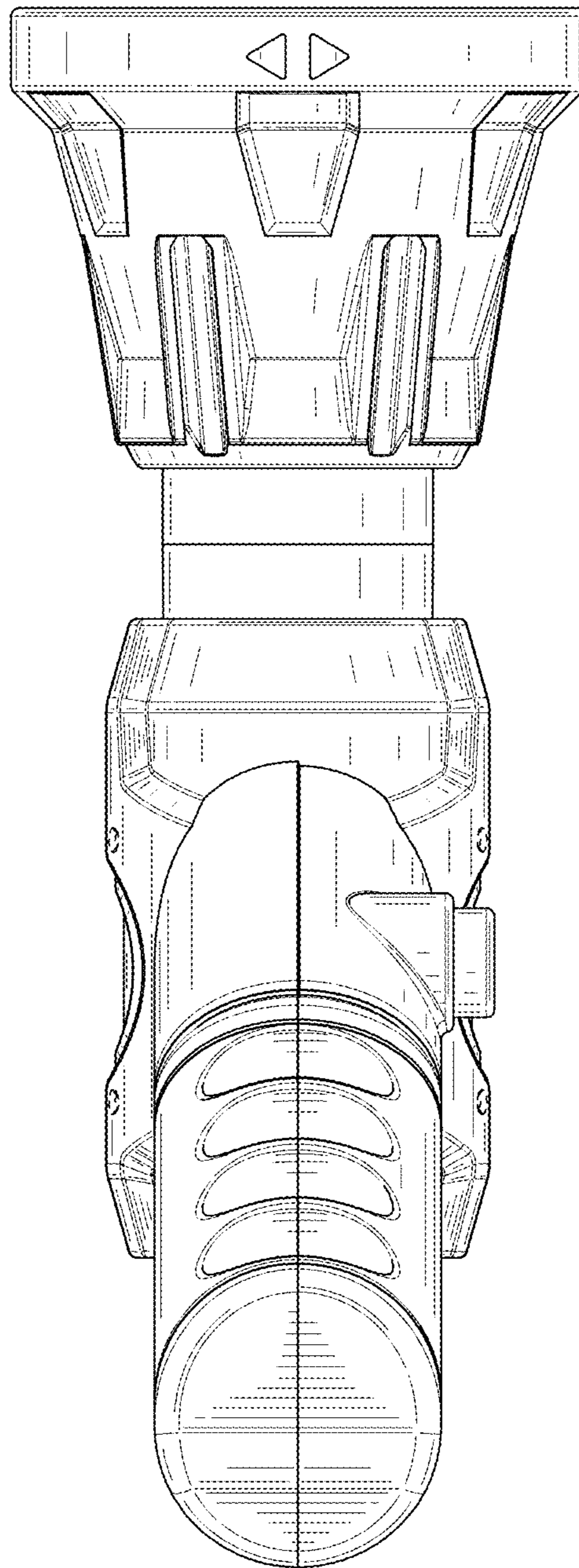


FIG. 7