



US00D799002S

(12) **United States Design Patent**
Gooden

(10) **Patent No.:** **US D799,002 S**

(45) **Date of Patent:** **** Oct. 3, 2017**

(54) **SPRAY NOZZLE**

(71) Applicant: **Hopkins Manufacturing Corporation,**
Emporia, KS (US)

(72) Inventor: **Marcus Gooden,** LomaLinda, CA (US)

(73) Assignee: **Hopkins Manufacturing Corporation,**
Emporia, KS (US)

(**) Term: **15 Years**

(21) Appl. No.: **29/566,621**

(22) Filed: **Jun. 1, 2016**

(51) **LOC (10) Cl.** **23-01**

(52) **U.S. Cl.**
USPC **D23/213**

(58) **Field of Classification Search**
USPC D23/201, 211, 213, 221, 223, 225, 226,
D23/229

CPC B05B 1/18; B05B 1/00-1/08; B05B 1/20;
B05B 15/063

See application file for complete search history.

(56) **References Cited**

U.S. PATENT DOCUMENTS

3,244,376	A *	4/1966	Thompson	A62C 31/005
					239/456
3,540,657	A *	11/1970	Thompson	A62C 31/005
					239/458
3,820,716	A *	6/1974	Bauer	B05B 1/08
					137/829
D658,268	S *	4/2012	Bonzer	D23/213
D666,275	S *	8/2012	DeVore	D23/223
D690,798	S *	10/2013	Bonzer	D23/213
D704,799	S *	5/2014	Crawley	D23/213
D749,697	S *	2/2016	Wojan	D23/223

D753,267	S *	4/2016	Byron	D23/229
D783,125	S *	4/2017	Chen	D23/226
2003/0127541	A1 *	7/2003	Marino	B05B 1/12
					239/539
2006/0090907	A1 *	5/2006	Crabtree	A62C 31/12
					169/44
2012/0181356	A1 *	7/2012	Miller	B05B 1/185
					239/548
2016/0263593	A1 *	9/2016	Keim	B05B 1/30
2016/0325293	A1 *	11/2016	Irwin	B05B 1/341

* cited by examiner

Primary Examiner — Robin V Webster

Assistant Examiner — Rachel Voorhies

(74) *Attorney, Agent, or Firm* — Bond Schoeneck &
King, PLLC; George McGuire

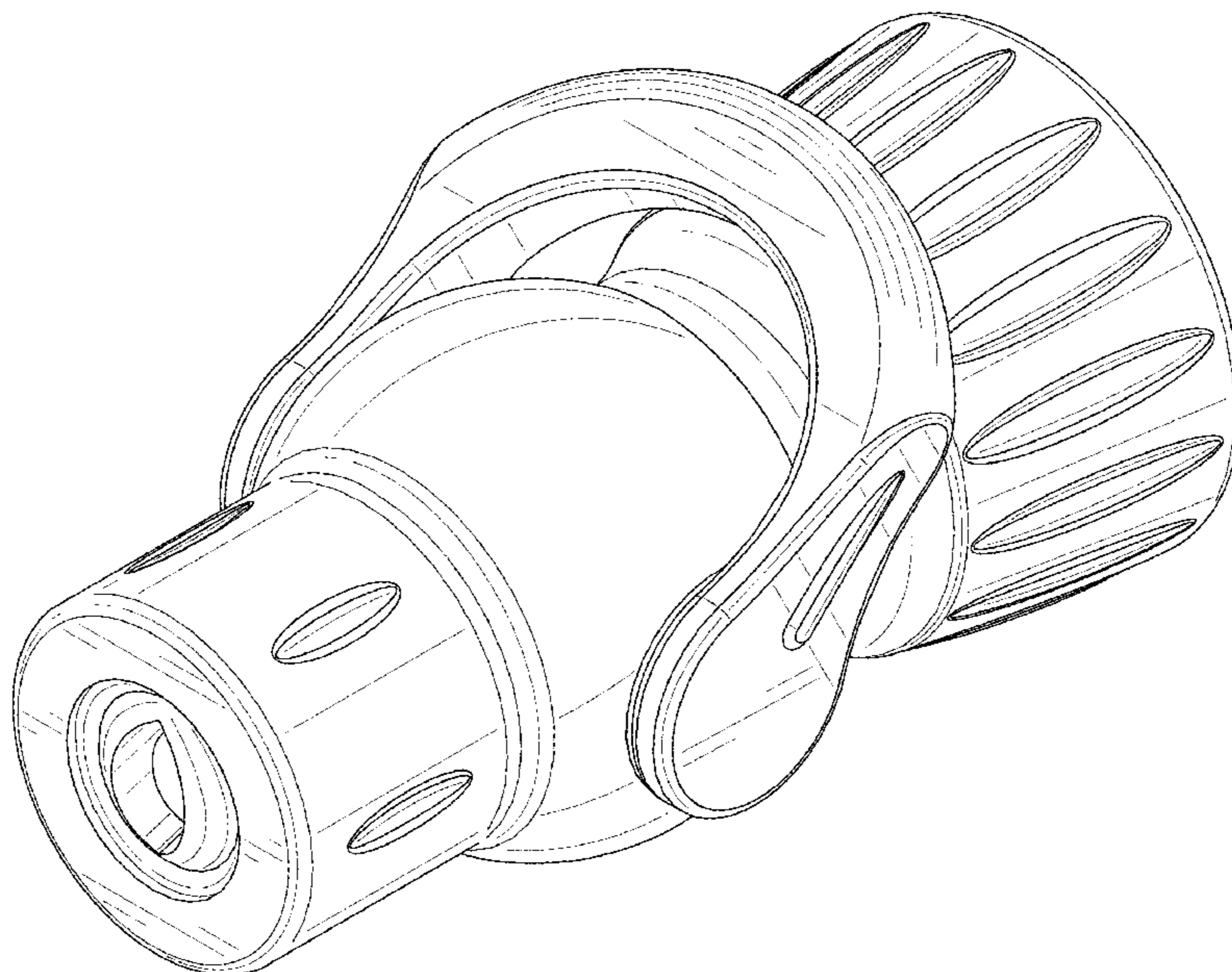
(57) **CLAIM**

The ornamental design for a spray nozzle, as shown and described.

DESCRIPTION

FIG. 1 is a perspective view of the spray nozzle;
 FIG. 2 is a front elevation view of the spray nozzle shown in FIG. 1;
 FIG. 3 is a rear elevation view of the spray nozzle shown in FIG. 1;
 FIG. 4 is a right side elevation view of the spray nozzle shown in FIG. 1;
 FIG. 5 is a left side elevation view of the spray nozzle shown in FIG. 1;
 FIG. 6 is a top plan view of the spray nozzle shown in FIG. 1; and,
 FIG. 7 is a bottom plan view of the spray nozzle shown in FIG. 1.

1 Claim, 7 Drawing Sheets



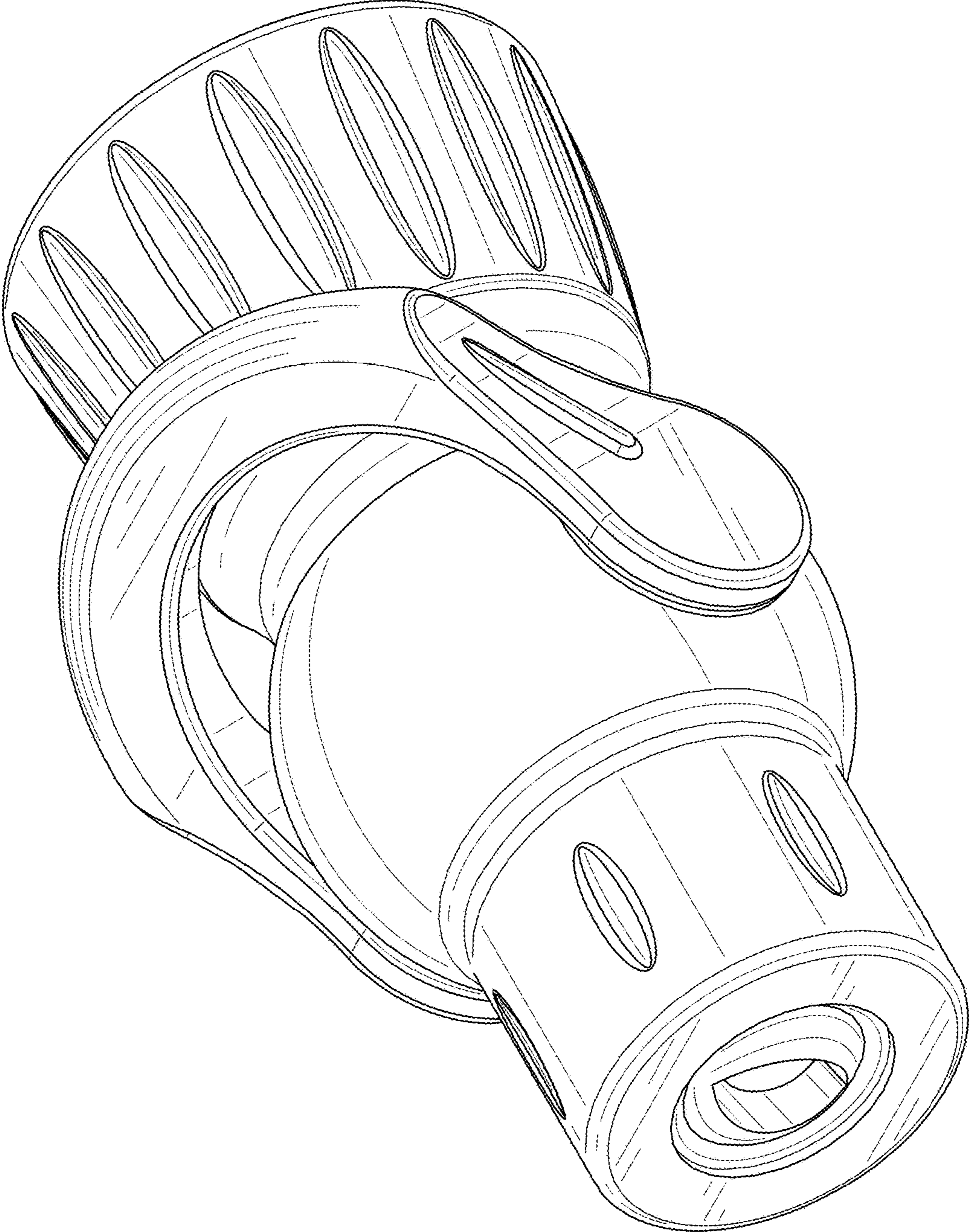


FIG. 1

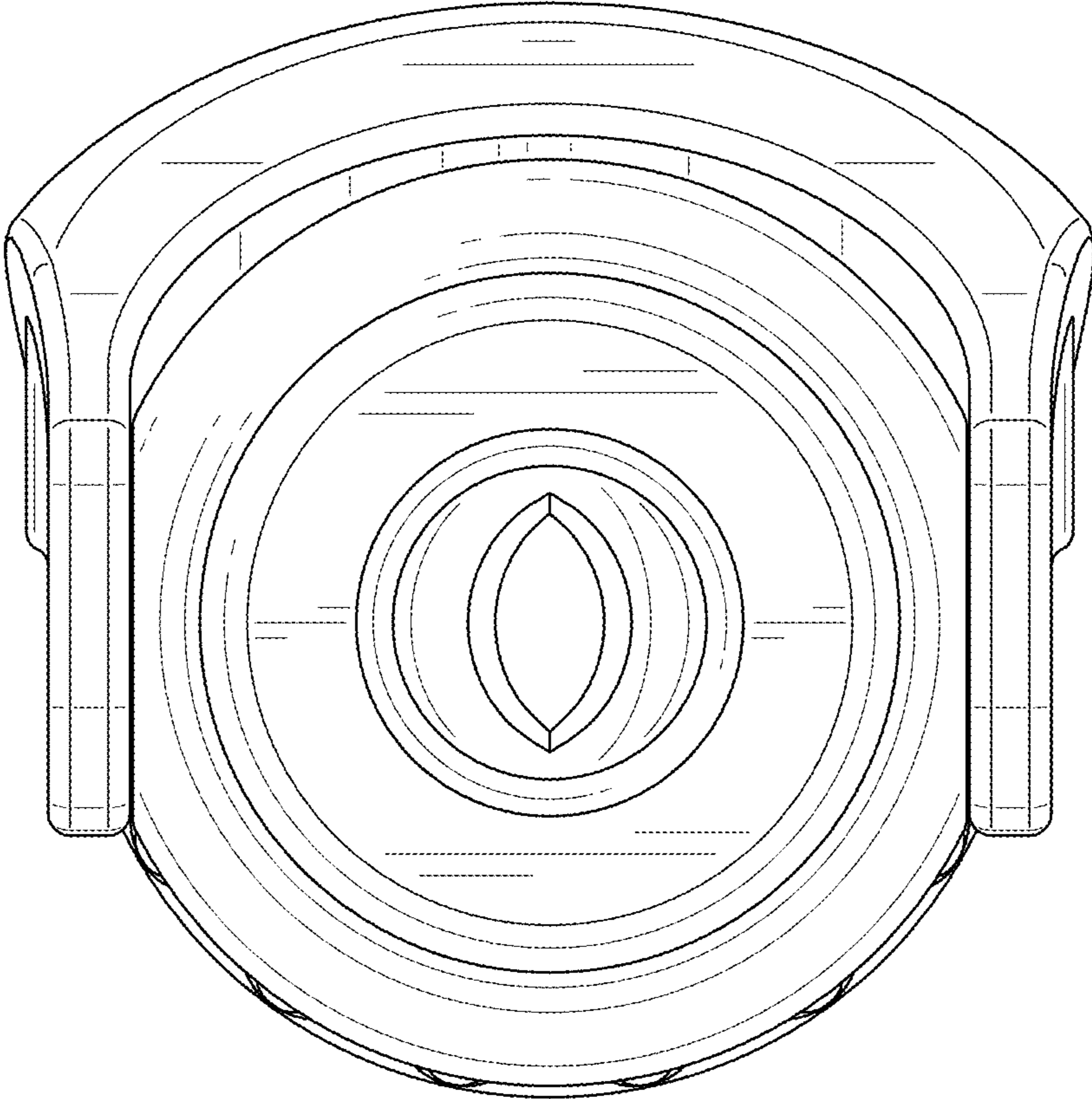


FIG. 2

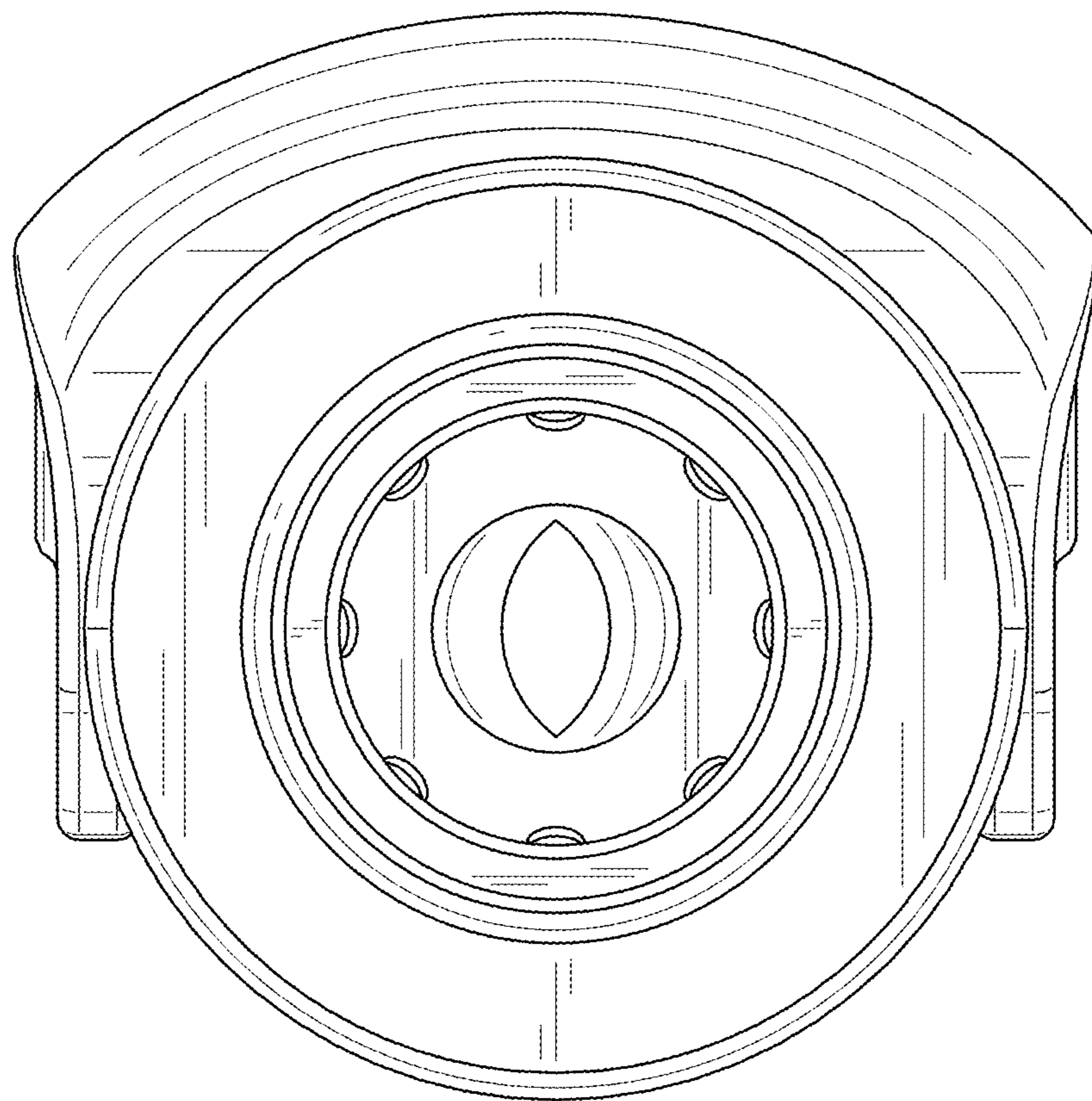


FIG. 3

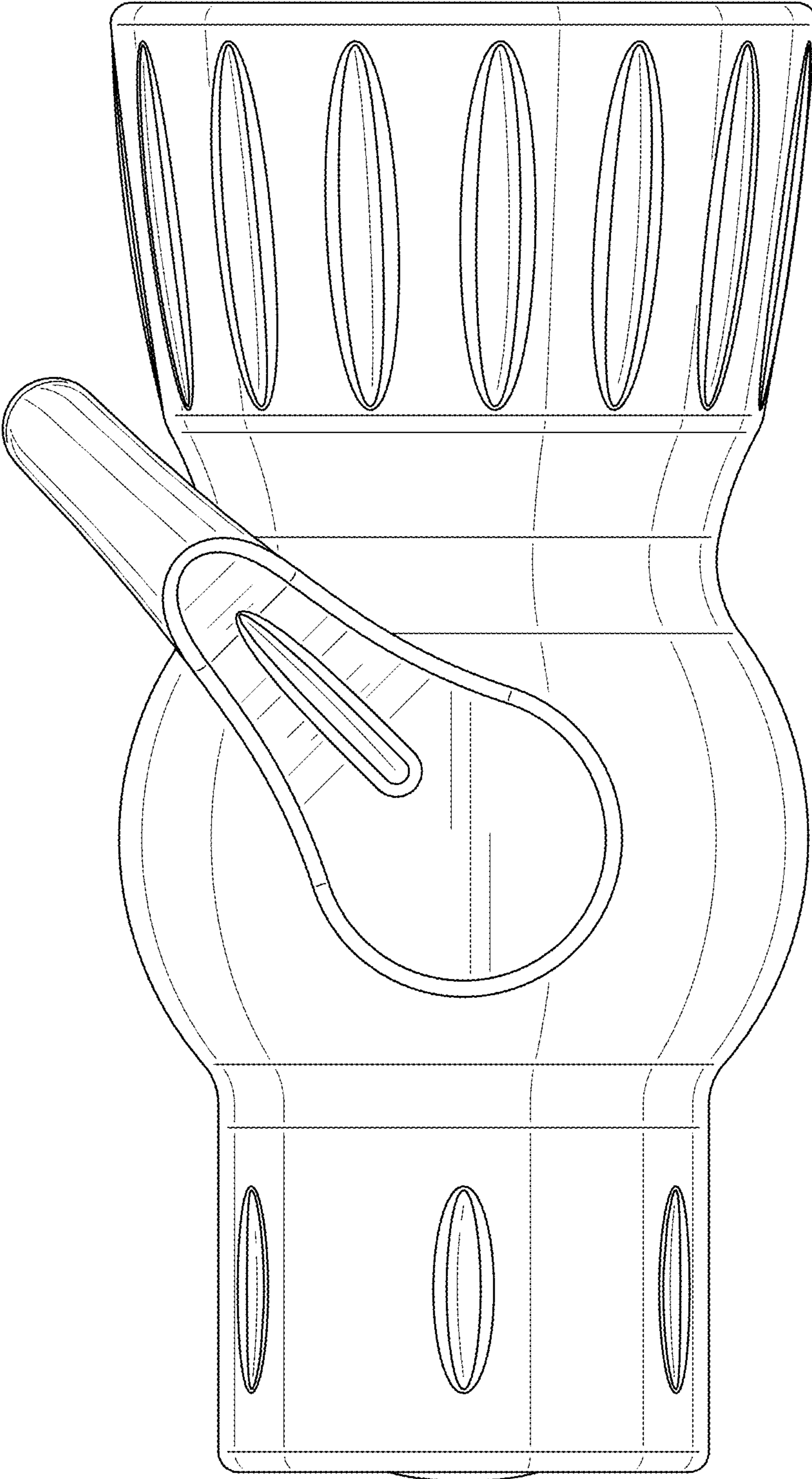


FIG. 4

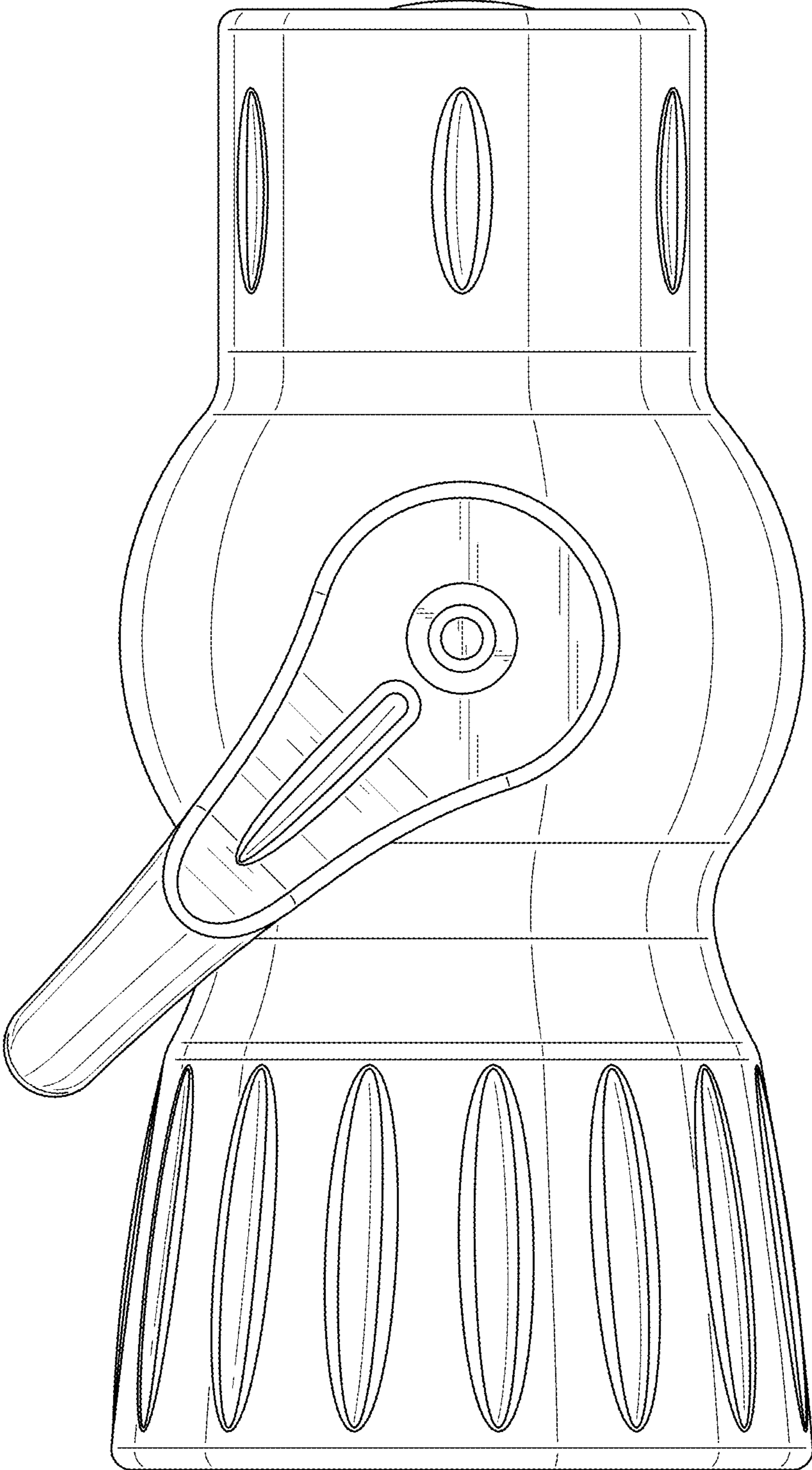


FIG. 5

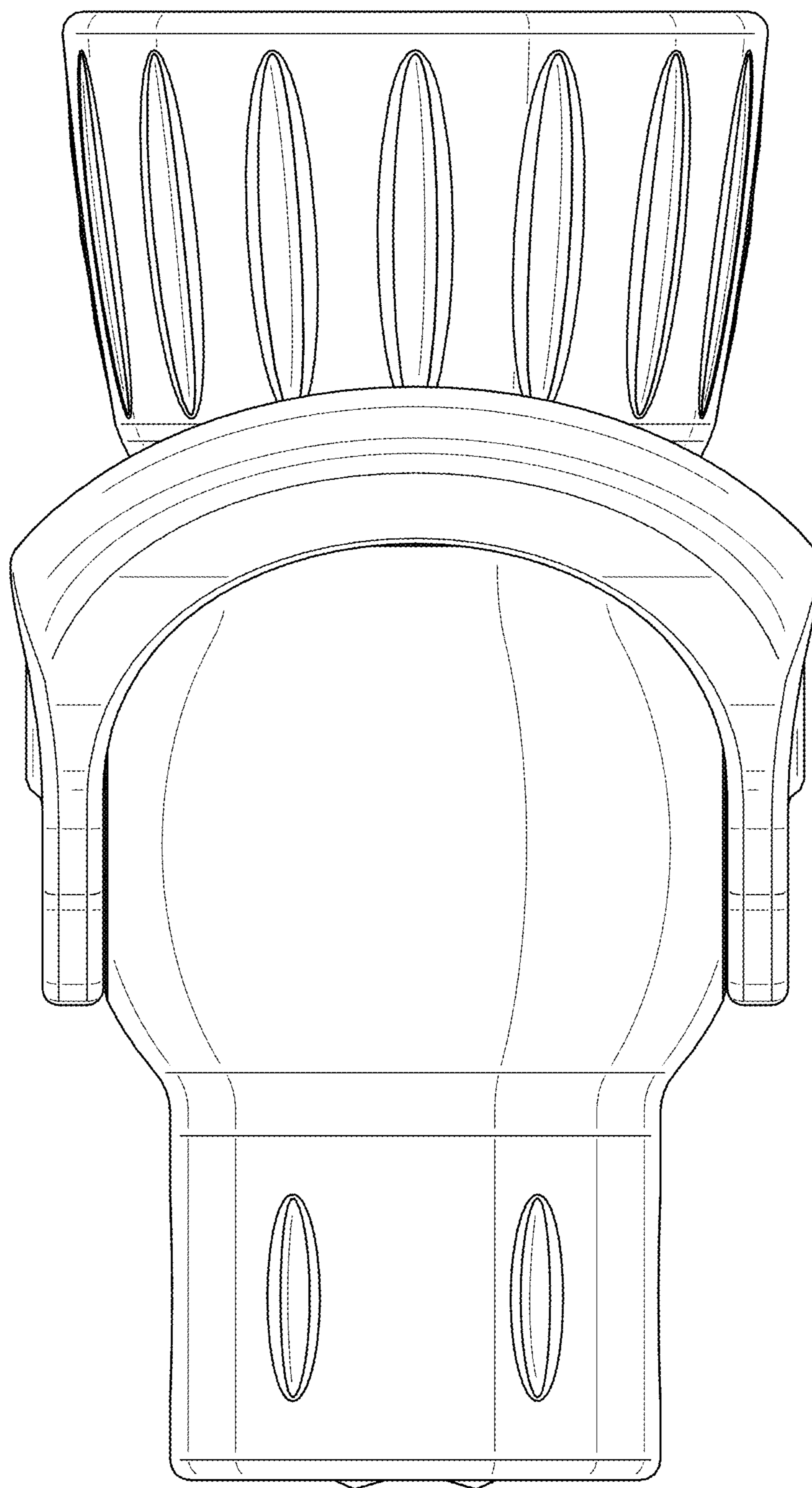


FIG. 6

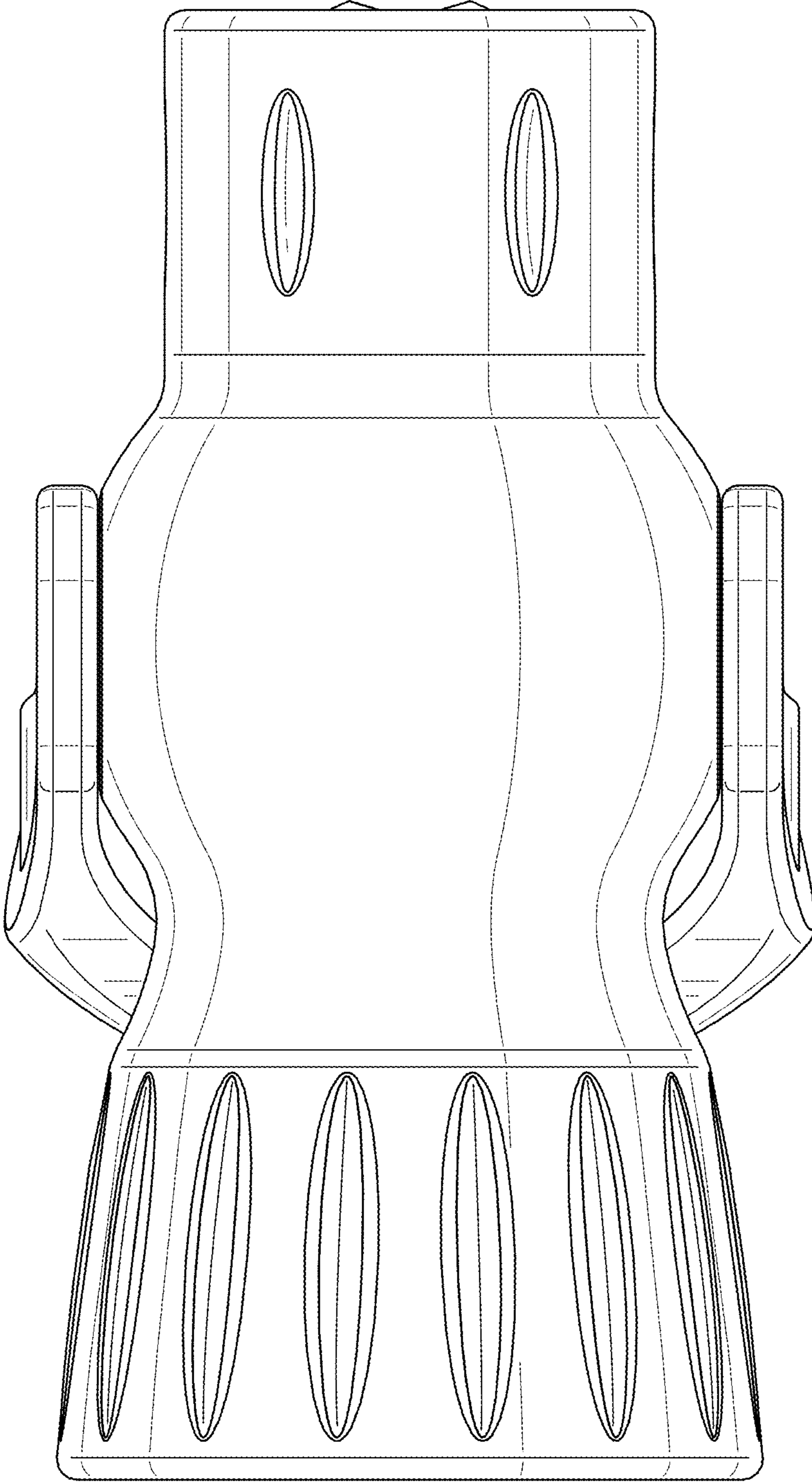


FIG. 7