



US00D799001S

(12) **United States Design Patent** (10) **Patent No.:** **US D799,001 S**  
**Gooden** (45) **Date of Patent:** **\*\* Oct. 3, 2017**

(54) **SPRAY NOZZLE**  
(71) Applicant: **Hopkins Manufacturing Corporation**,  
Emporia, KS (US)  
(72) Inventor: **Marcus Gooden**, LomaLinda, CA (US)  
(73) Assignee: **HOPKINS MANUFACTURING**  
**CORPORATION**, Emporia, KS (US)  
(\*\*) Term: **15 Years**

(21) Appl. No.: **29/566,614**  
(22) Filed: **Jun. 1, 2016**  
(51) **LOC (10) Cl.** ..... **23-01**  
(52) **U.S. Cl.**  
USPC ..... **D23/213**  
(58) **Field of Classification Search**  
USPC ..... D23/201, 211, 213, 221, 223, 225, 226,  
D23/229  
CPC ..... B05B 1/18; B05B 1/00-1/08; B05B 1/20;  
B05B 15/063  
See application file for complete search history.

(56) **References Cited**  
U.S. PATENT DOCUMENTS  
3,244,376 A \* 4/1966 Thompson ..... A62C 31/005  
239/456  
3,540,657 A \* 11/1970 Thompson ..... A62C 31/005  
239/458  
3,820,716 A \* 6/1974 Bauer ..... B05B 1/08  
137/829  
D646,353 S \* 10/2011 Yoo ..... D23/213  
D658,268 S \* 4/2012 Bonzer ..... D23/213  
D666,275 S \* 8/2012 DeVore ..... D23/223  
D690,798 S \* 10/2013 Bonzer ..... D23/213  
D704,799 S \* 5/2014 Crawley ..... D23/213  
D746,944 S \* 1/2016 Naslund ..... D23/213

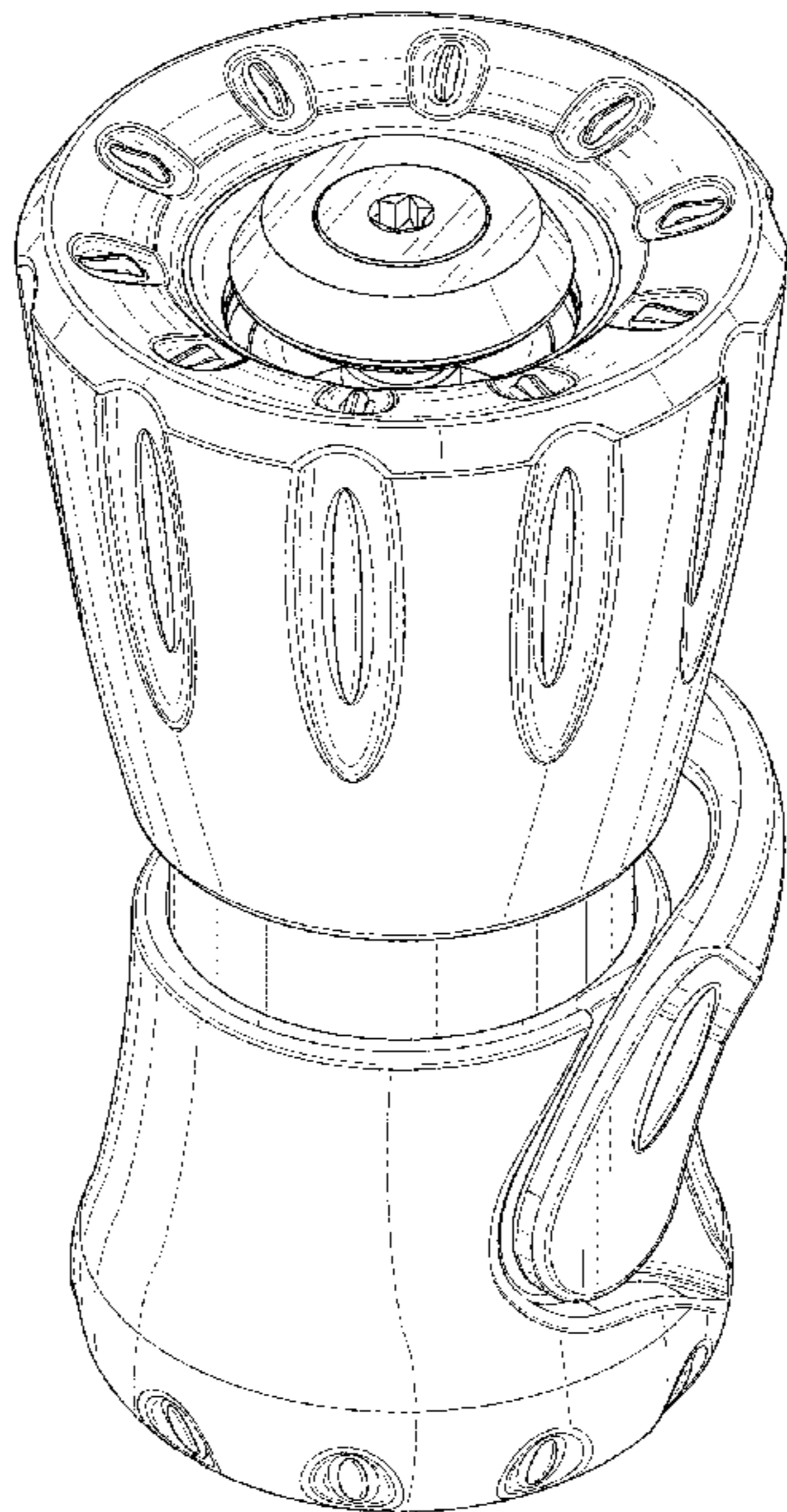
D749,697 S \* 2/2016 Wojan ..... D23/223  
D753,267 S \* 4/2016 Byron ..... D23/229  
D783,125 S \* 4/2017 Chen ..... D23/226  
2003/0127541 A1 \* 7/2003 Marino ..... B05B 1/12  
239/539  
2006/0090907 A1 \* 5/2006 Crabtree ..... A62C 31/12  
169/44  
2008/0223951 A1 \* 9/2008 Tracey ..... A01G 25/16  
239/71  
2016/0263593 A1 \* 9/2016 Keim ..... B05B 1/30  
2016/0325293 A1 \* 11/2016 Irwin ..... B05B 1/341

\* cited by examiner  
*Primary Examiner* — Robin V Webster  
*Assistant Examiner* — Rachel Voorhies  
(74) *Attorney, Agent, or Firm* — Bond Schoeneck &  
King, PLLC; George McGuire

(57) **CLAIM**  
The ornamental design for a spray nozzle, as shown and  
described.

**DESCRIPTION**  
FIG. 1 is a perspective view of the spray nozzle;  
FIG. 2 is a top plan view of the spray nozzle shown in FIG.  
1;  
FIG. 3 is a bottom plan view of the spray nozzle shown in  
FIG. 1;  
FIG. 4 is a right side elevation view of the spray nozzle  
shown in FIG. 1;  
FIG. 5 is a left side elevation view of the spray nozzle shown  
in FIG. 1;  
FIG. 6 is a front elevation view of the spray nozzle shown  
in FIG. 1; and,  
FIG. 7 is a rear elevation view of the spray nozzle shown in  
FIG. 1.

**1 Claim, 7 Drawing Sheets**



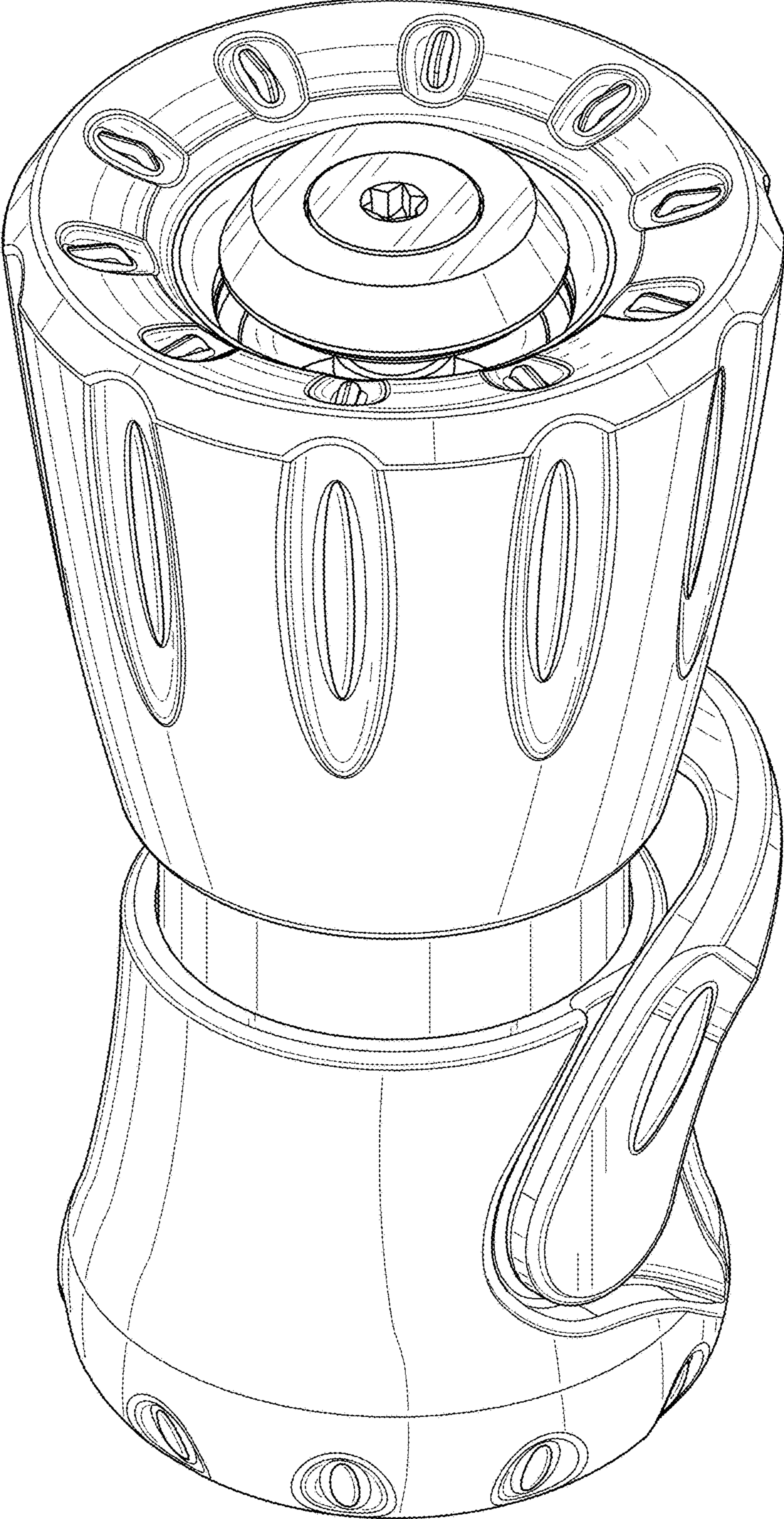


FIG. 1

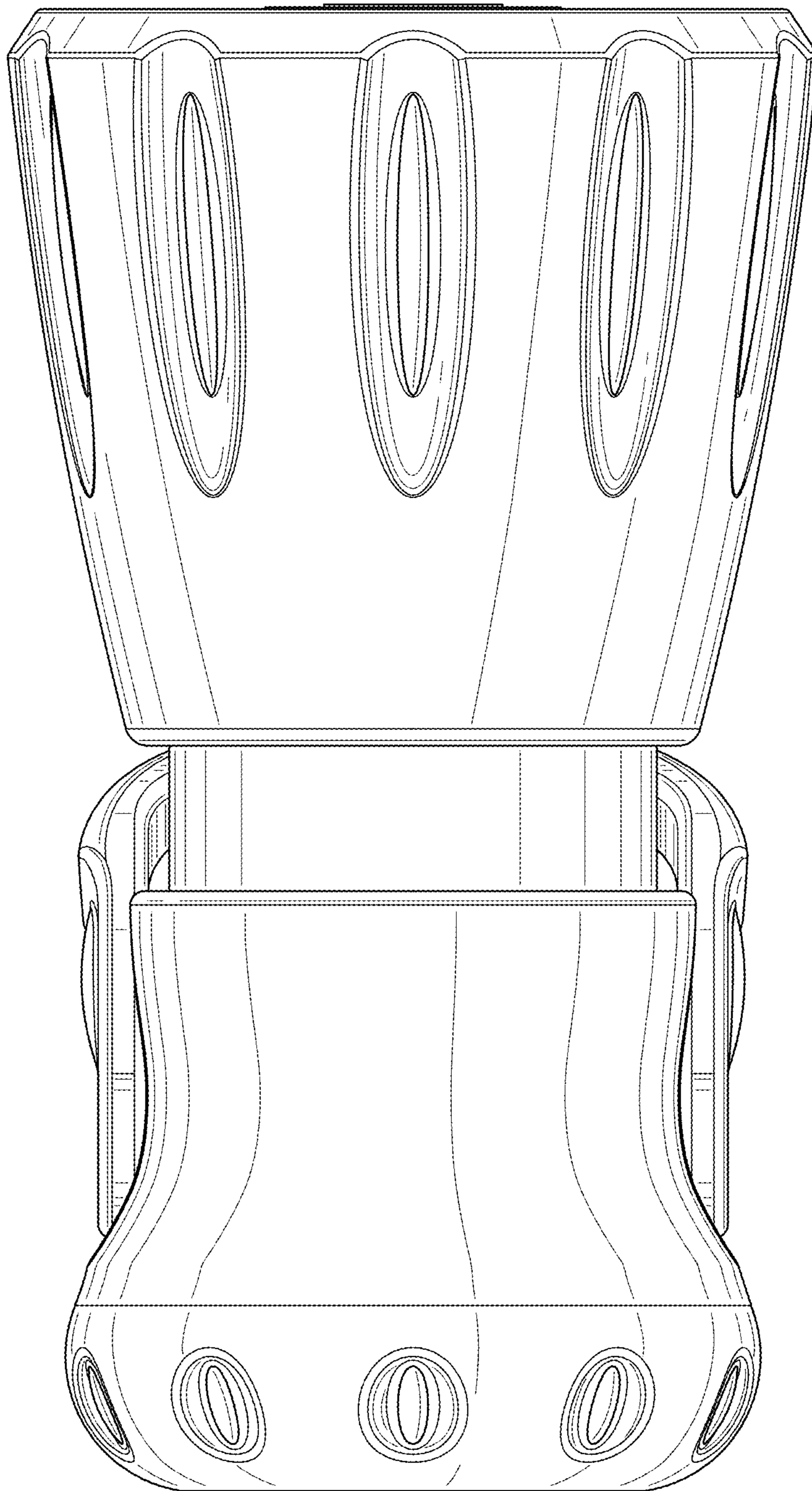


FIG. 2

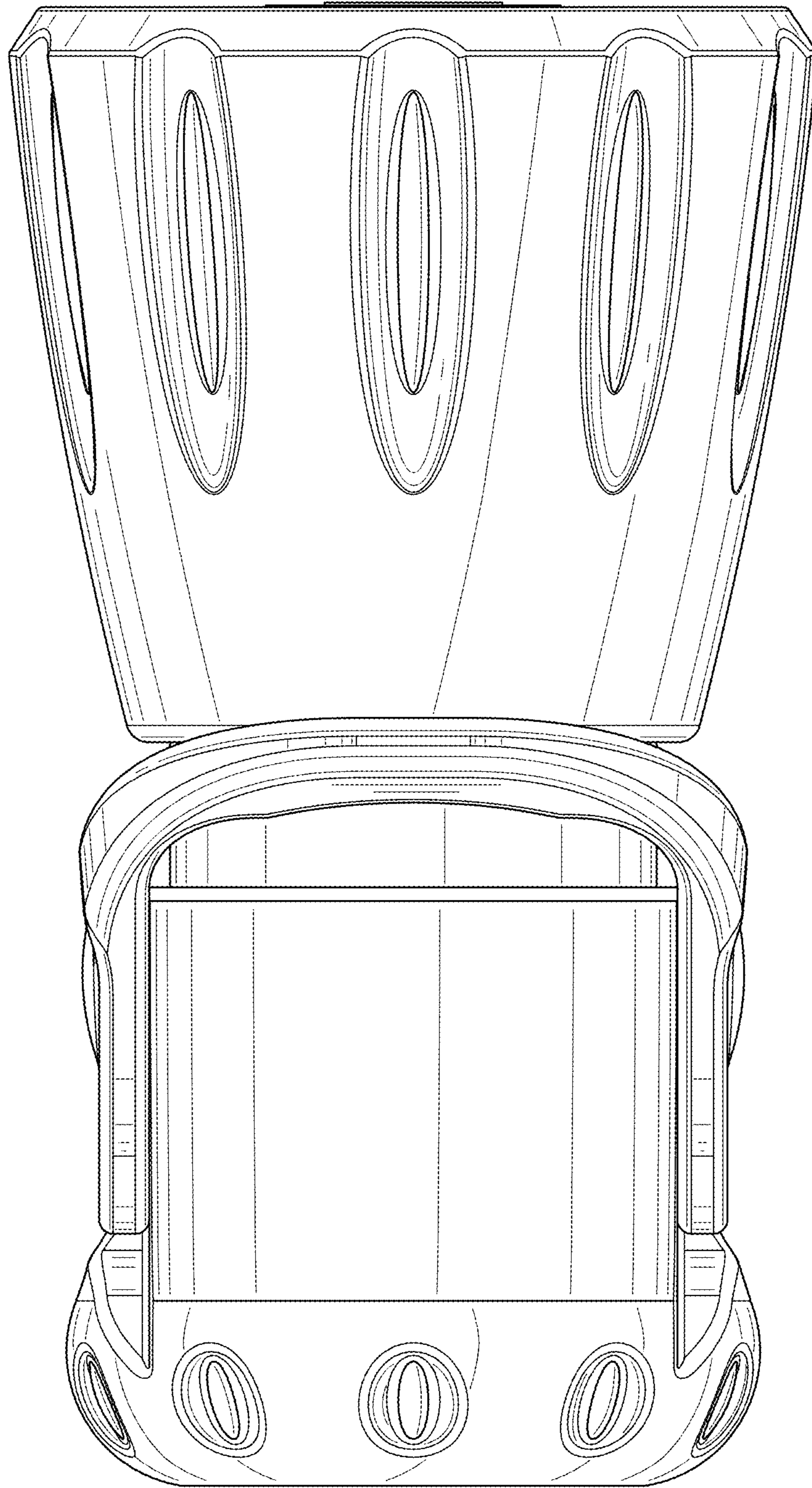


FIG. 3

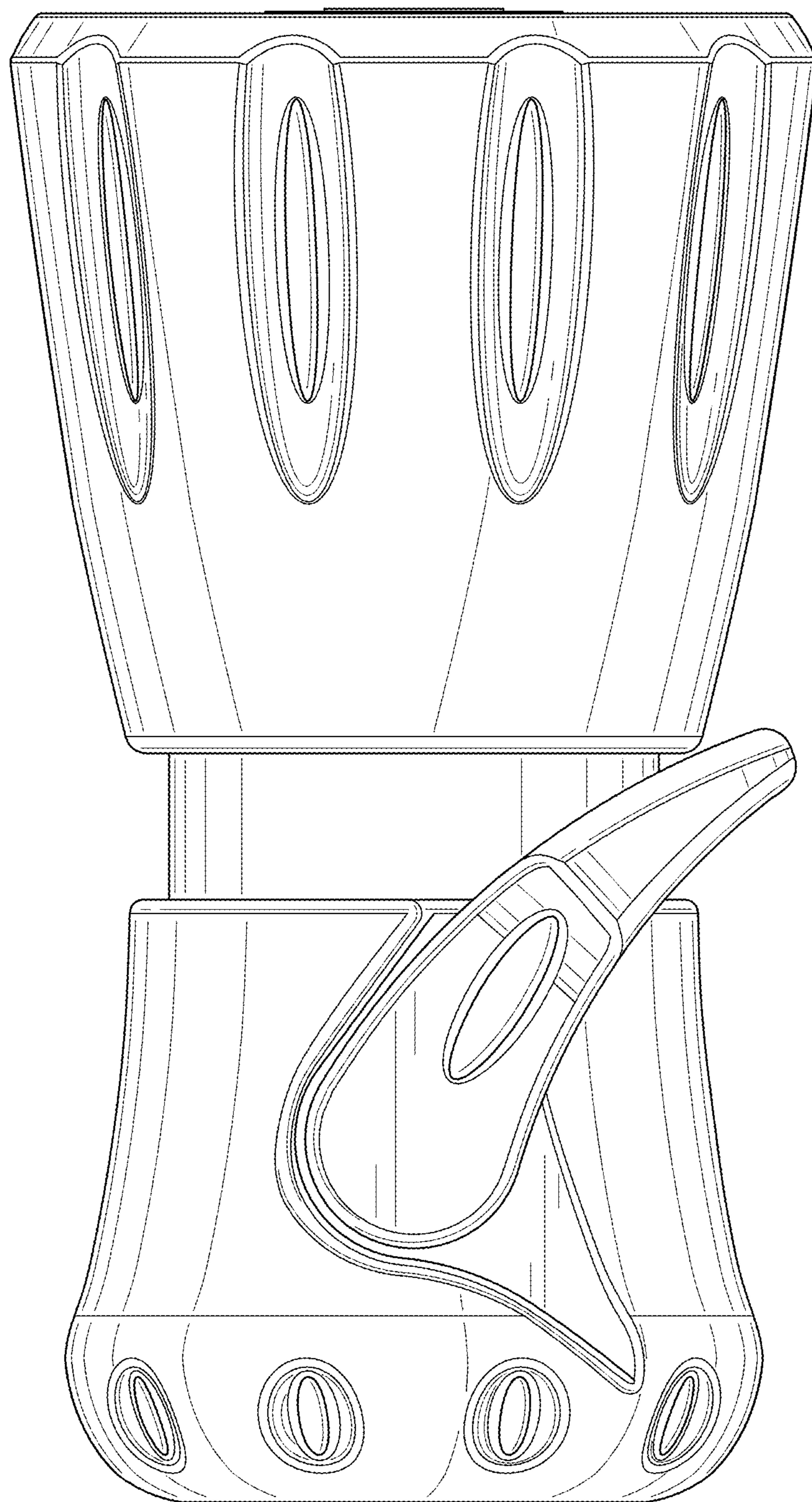


FIG. 4

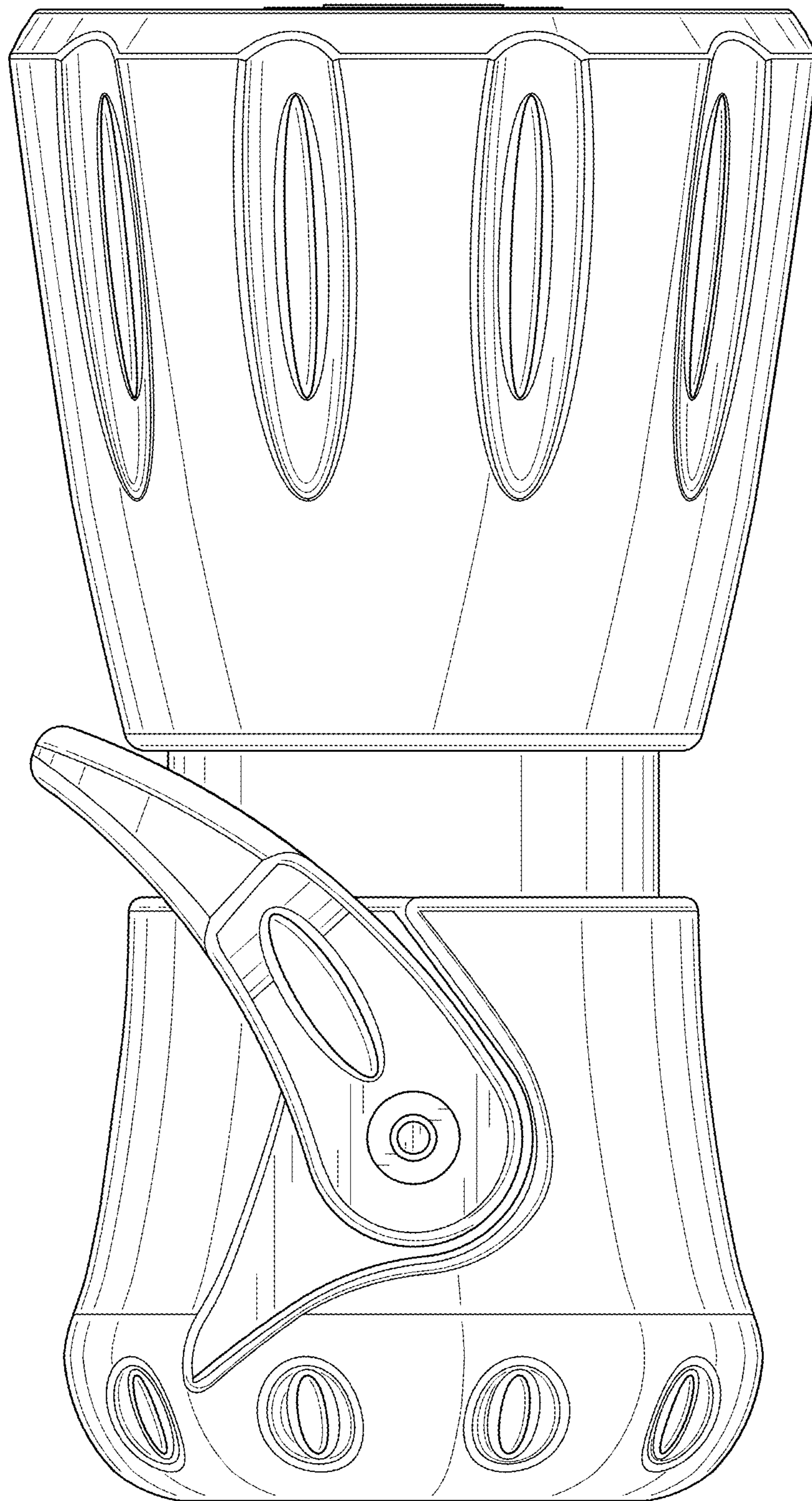


FIG. 5

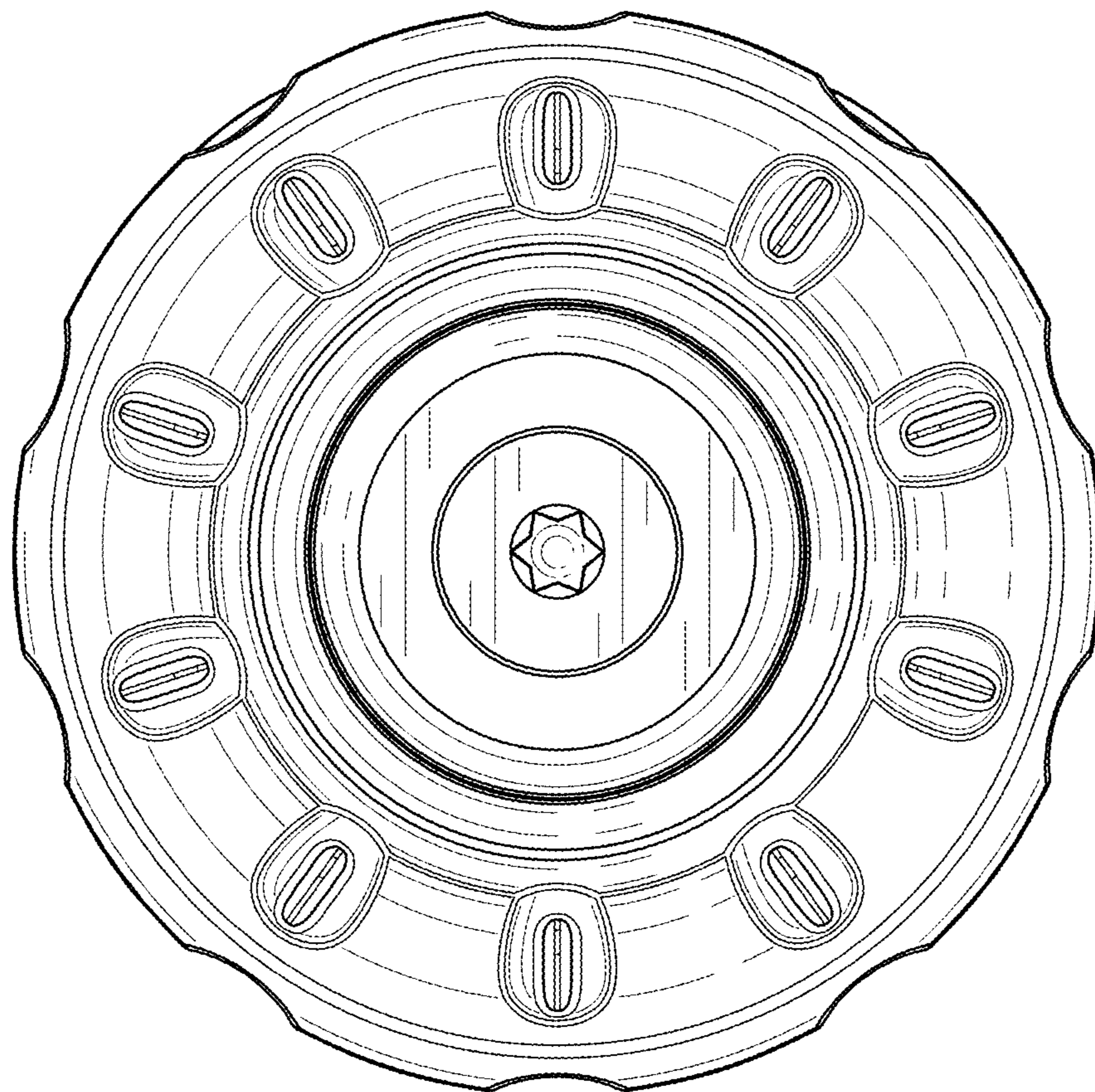


FIG. 6

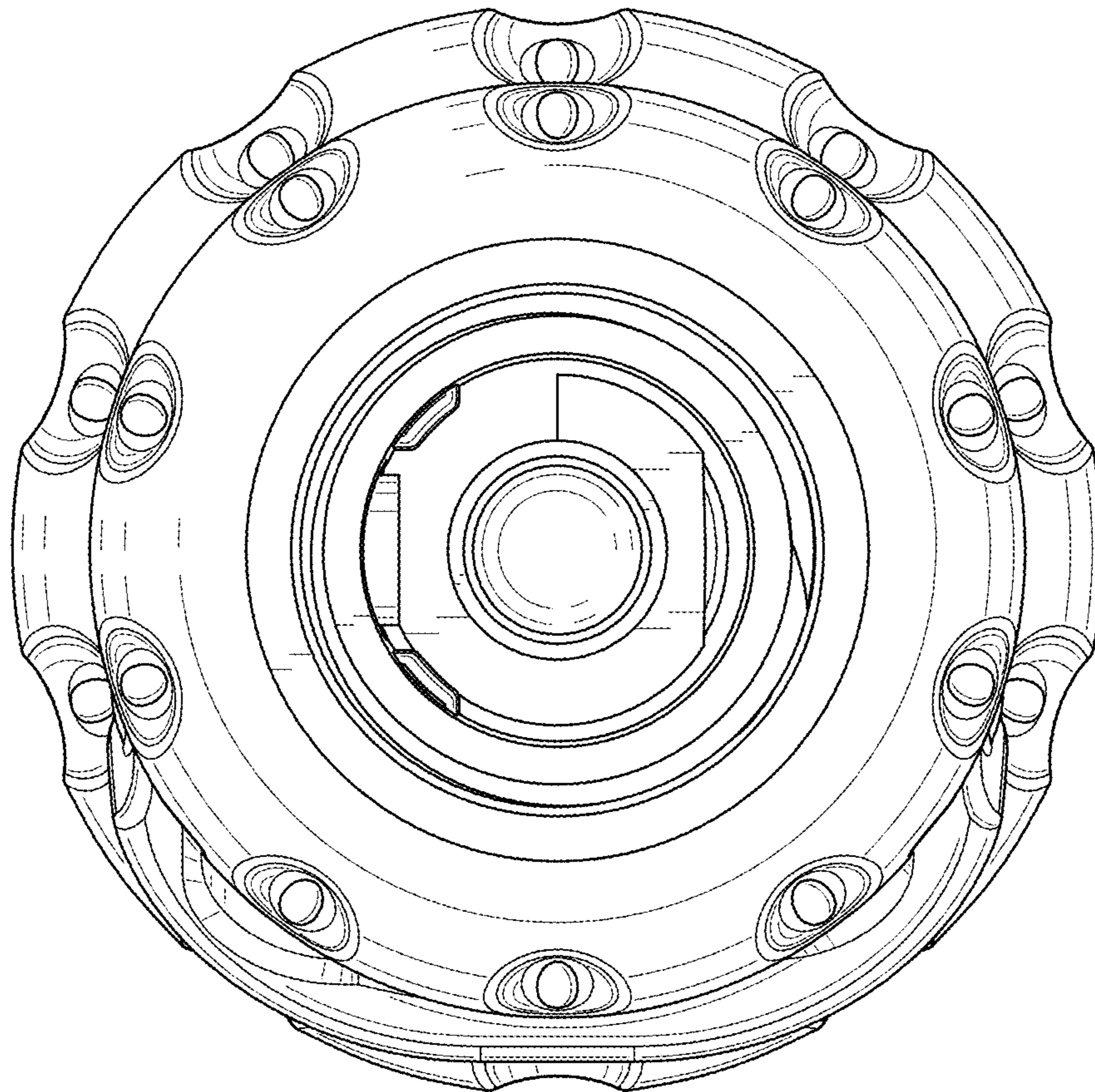


FIG. 7