

US00D799000S

(12) **United States Design Patent** (10) **Patent No.:** **US D799,000 S**
Chen (45) **Date of Patent:** **** Oct. 3, 2017**

(54) **CONNECTOR FOR WATER SPRAYING GUN** 8,342,426 B2 * 1/2013 Lo A01G 25/14
137/625.46
(71) Applicant: **Chin-Yuan Chen**, Changhua (TW) D678,464 S * 3/2013 Chen D23/213
8,919,672 B2 * 12/2014 Chen B05B 1/267
(72) Inventor: **Chin-Yuan Chen**, Changhua (TW) 239/280.5
D782,002 S * 3/2017 Naslund D23/213

(73) Assignee: **Shin Tai Spurt Water of The Garden Tools Co. Ltd.**, Changhua (TW)

* cited by examiner

(**) Term: **15 Years**

Primary Examiner — Robin V Webster

(21) Appl. No.: **29/561,962**

(74) *Attorney, Agent, or Firm* — Che-Yang Chen; Law Offices of Scott Warmuth

(22) Filed: **Apr. 21, 2016**

(57) **CLAIM**

(51) **LOC (10) Cl.** **23-01**

The ornamental design for a connector for water spraying gun, as shown and described.

(52) **U.S. Cl.**

USPC **D23/213; D23/259**

(58) **Field of Classification Search**

USPC D23/213, 223, 226, 259; 239/280, 280.5, 239/281, 532

CPC B05B 15/06

See application file for complete search history.

DESCRIPTION

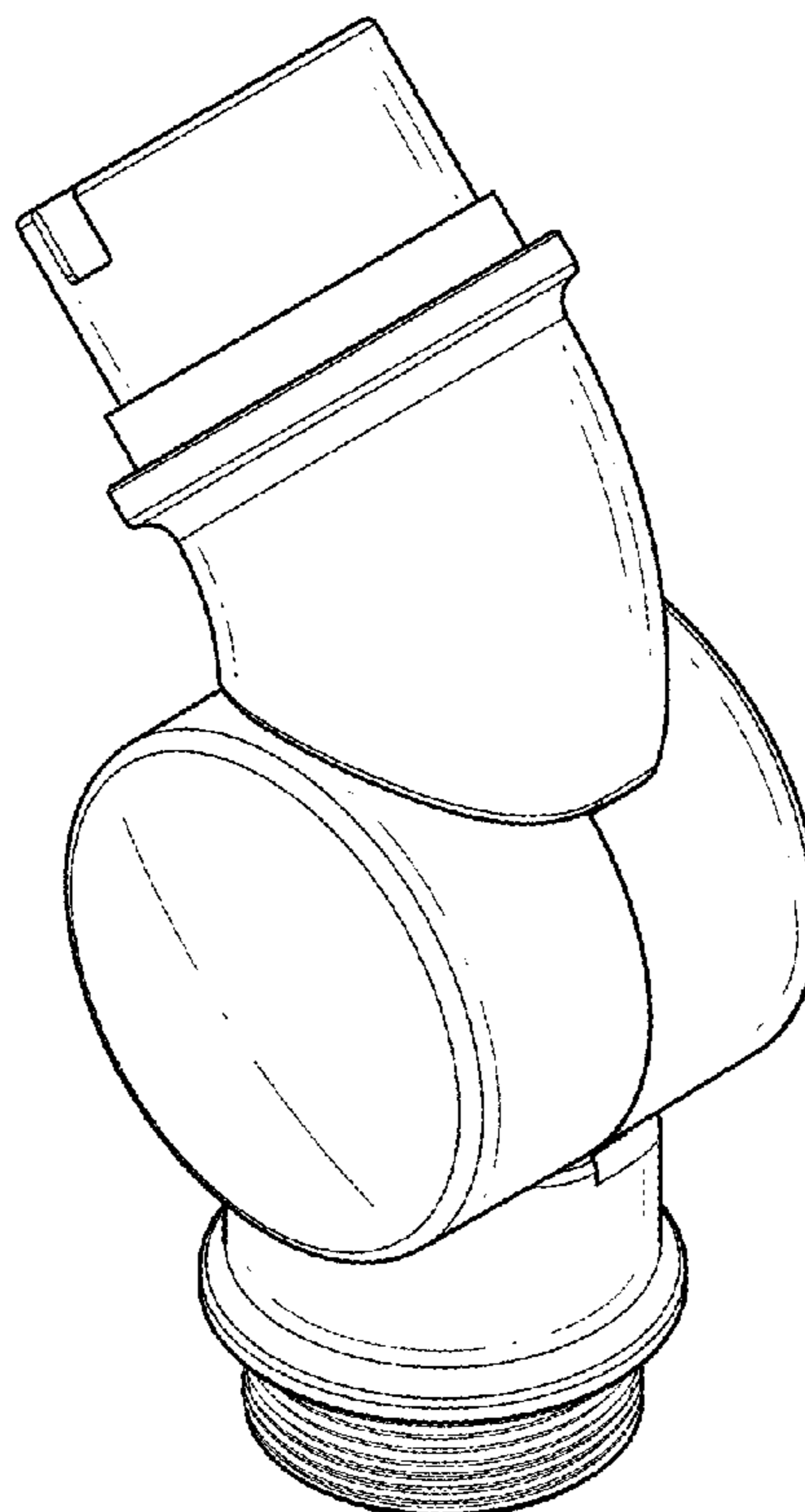
(56) **References Cited**

U.S. PATENT DOCUMENTS

D472,959 S * 4/2003 Alkalay D23/223
6,595,439 B1 * 7/2003 Chen B05B 15/066
239/225.1
6,913,211 B2 * 7/2005 Chen F16L 27/12
239/280
D513,427 S * 1/2006 Chen D23/223
D657,018 S * 4/2012 Chen D23/226
D670,786 S * 11/2012 Mauchle D23/213

FIG. 1 is a perspective view of a connector for water spraying gun showing my new design; FIG. 2 is a front elevational view thereof; FIG. 3 is a rear elevational view thereof; FIG. 4 is a left side elevational view thereof; FIG. 5 is a right side elevational view thereof; FIG. 6 is a top plan view thereof; and, FIG. 7 is a bottom plan view thereof; and, FIG. 8 is another front view shown in a spray gun environment with the spray gun shown in broken lines and forms no part of the claimed design.

1 Claim, 5 Drawing Sheets



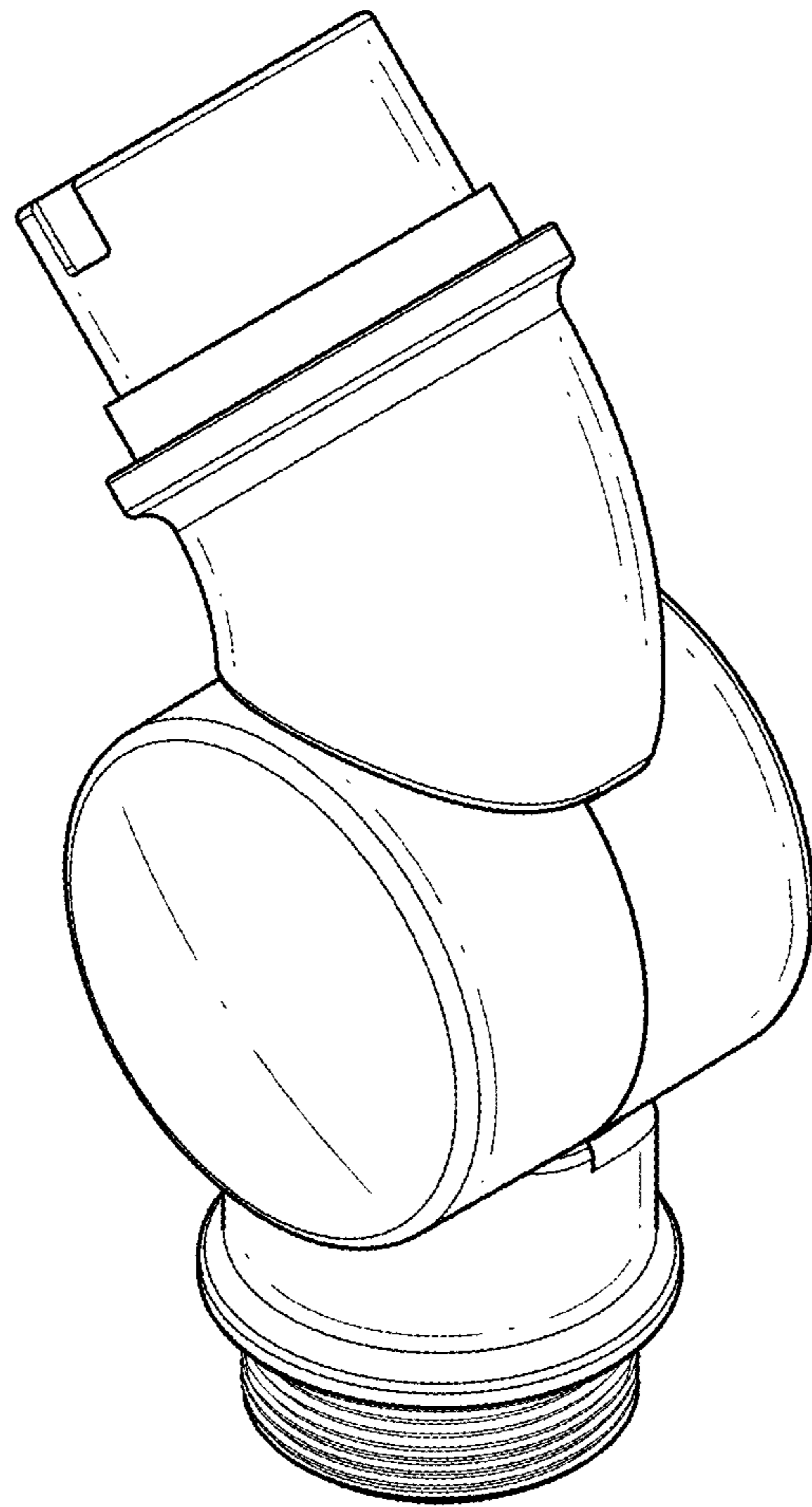


FIG. 1

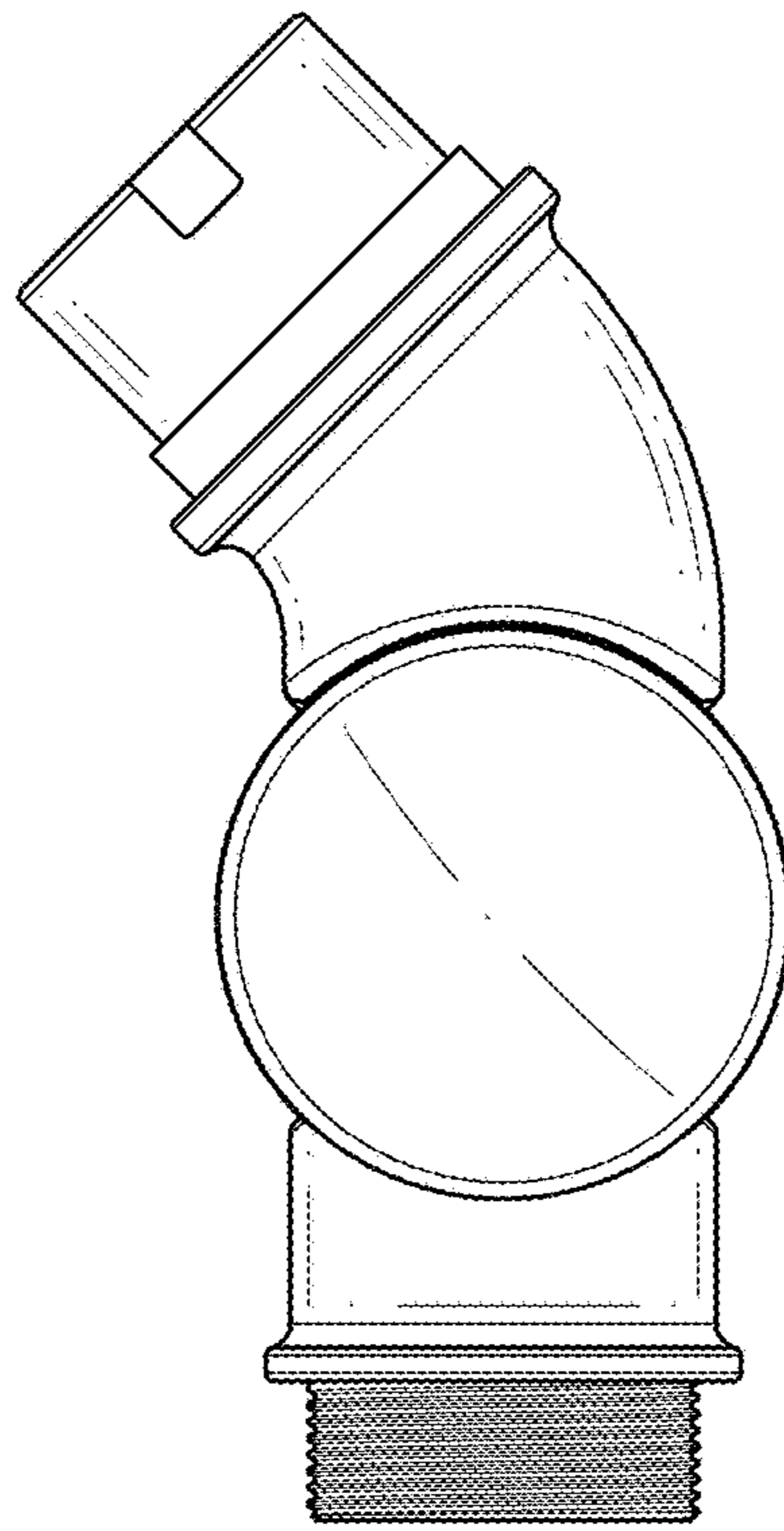


FIG. 2

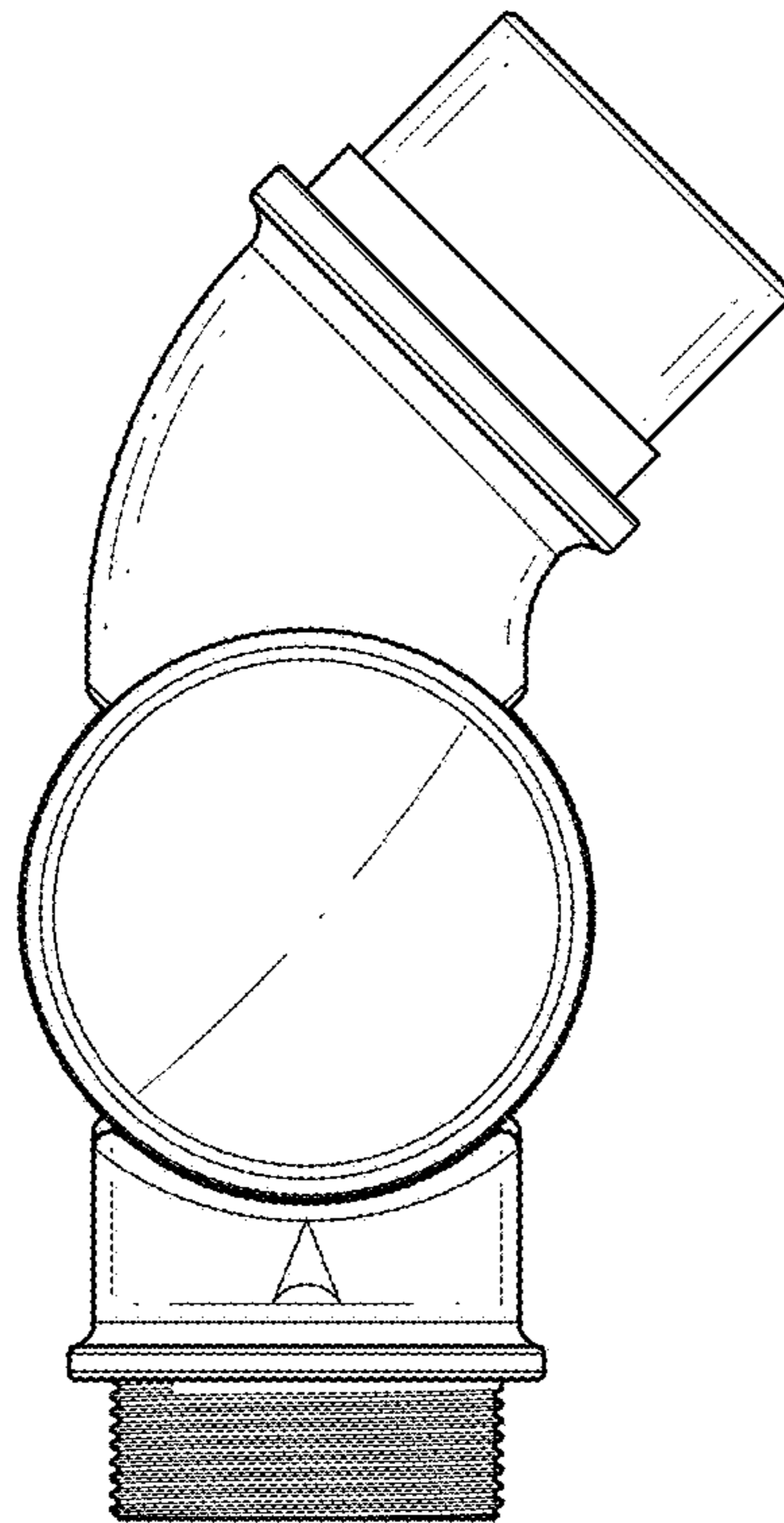


FIG. 3

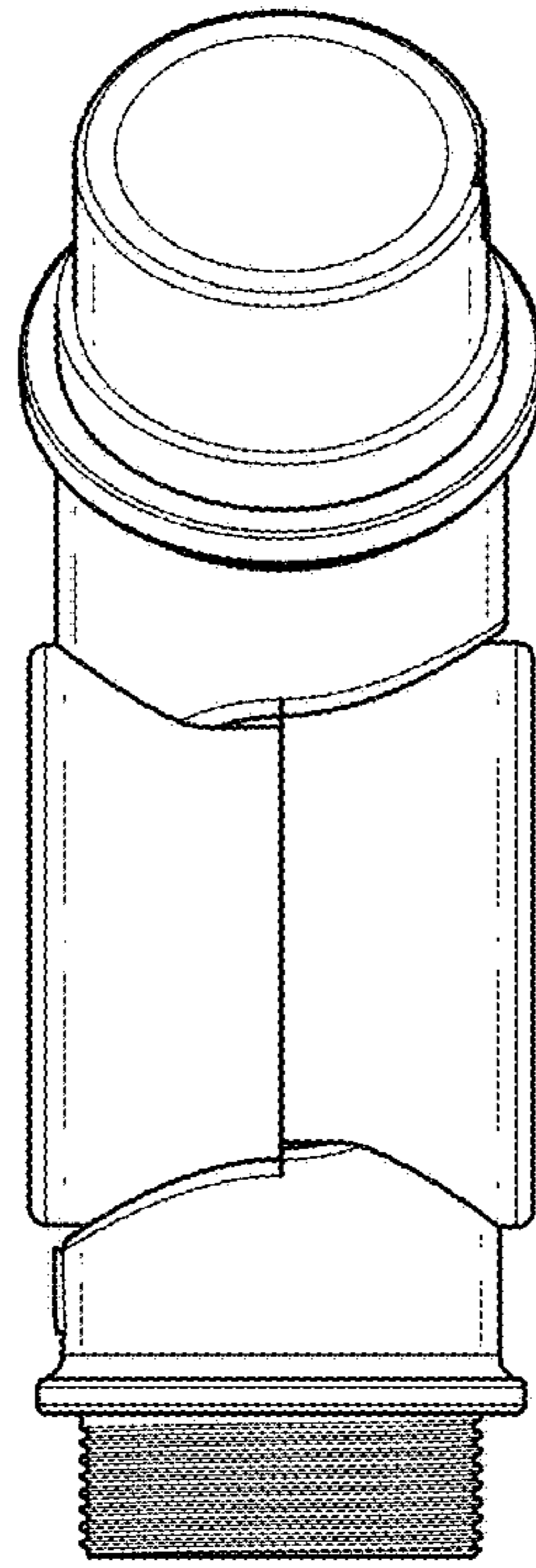


FIG. 4

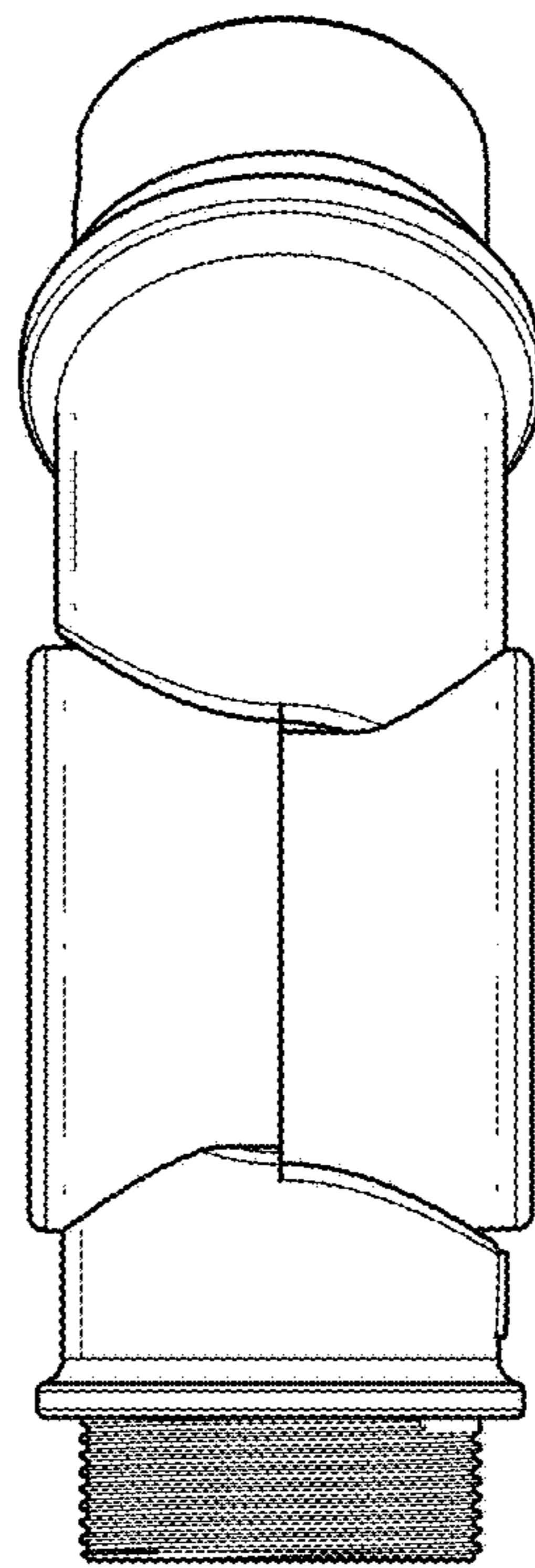


FIG. 5

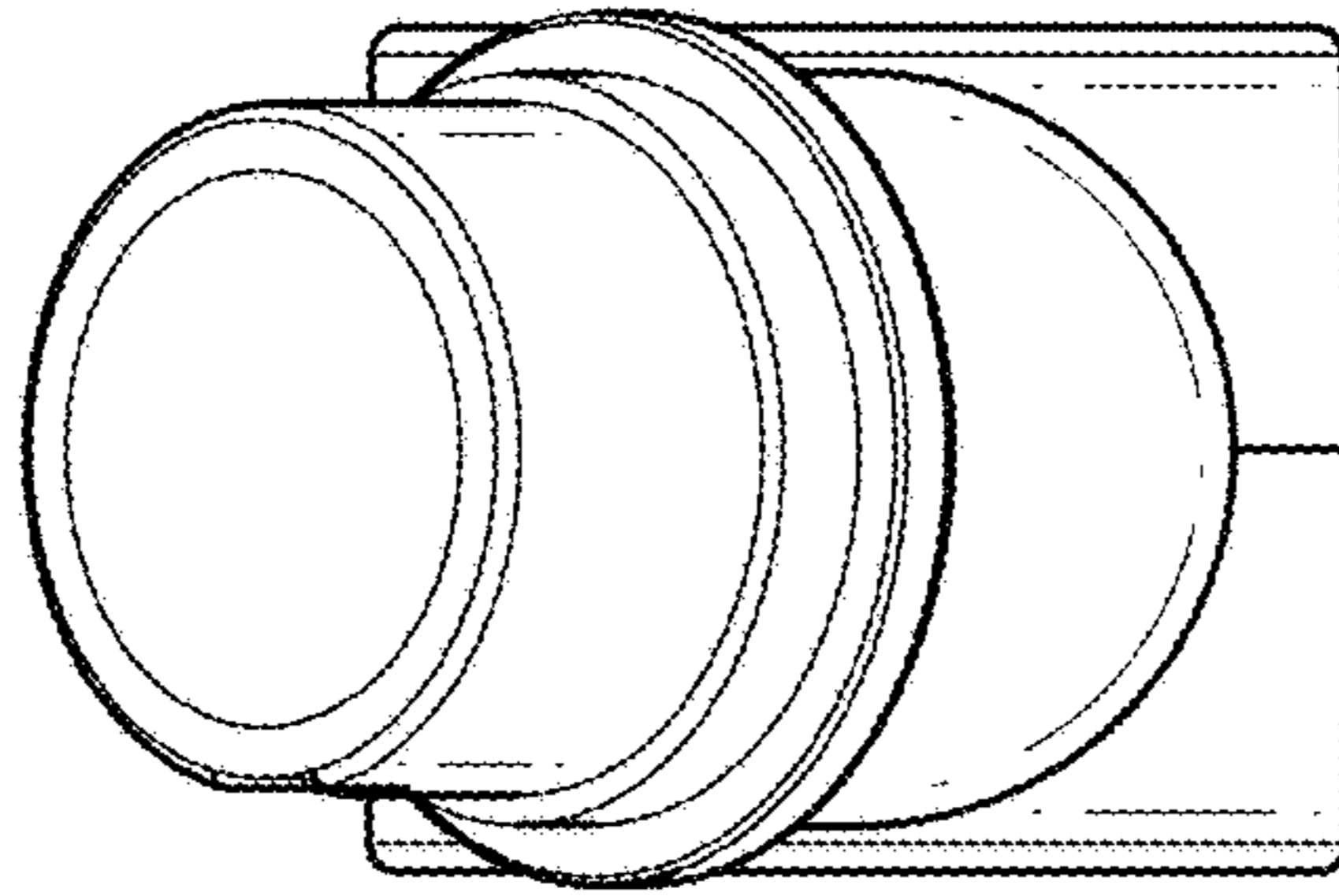


FIG. 6

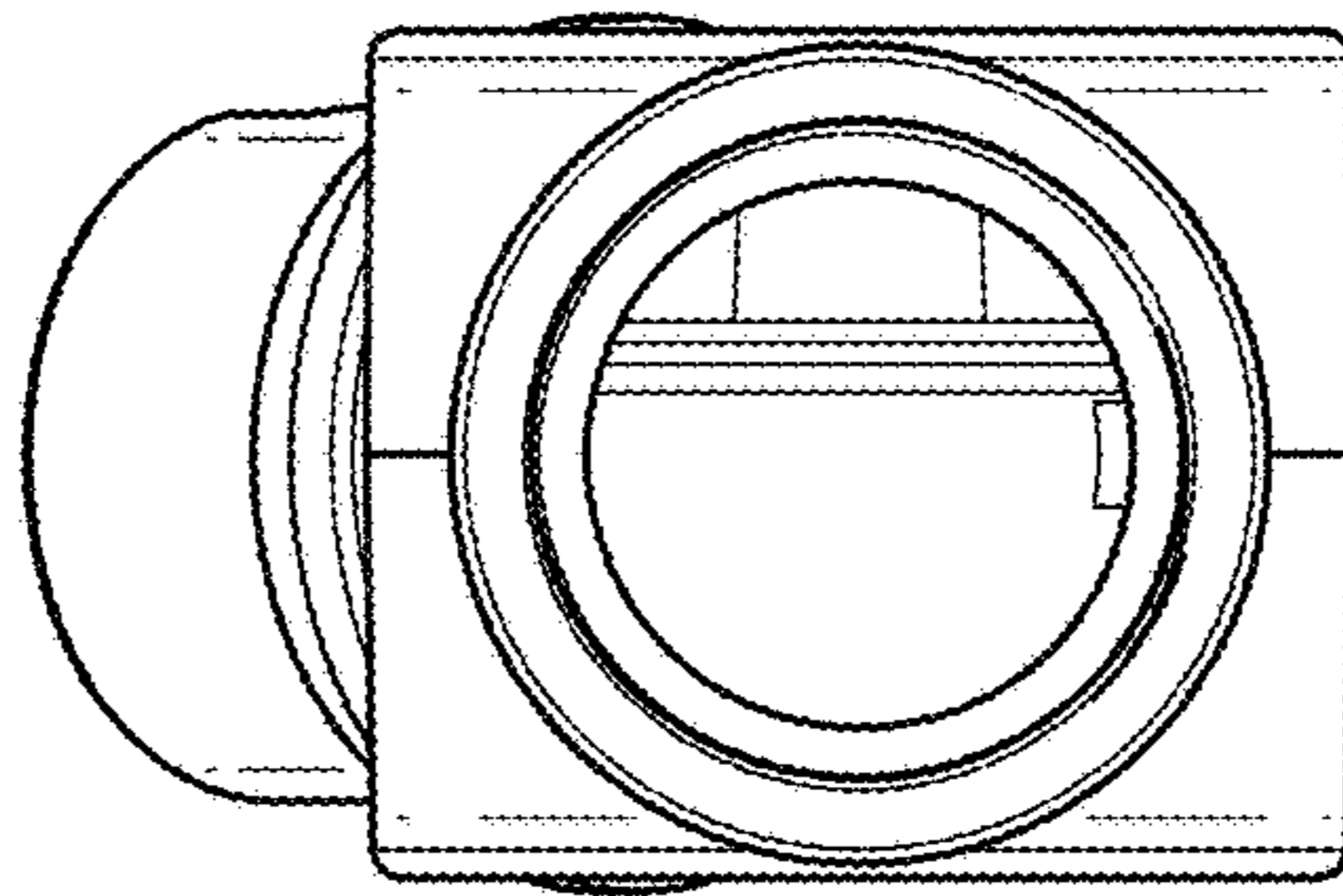


FIG. 7

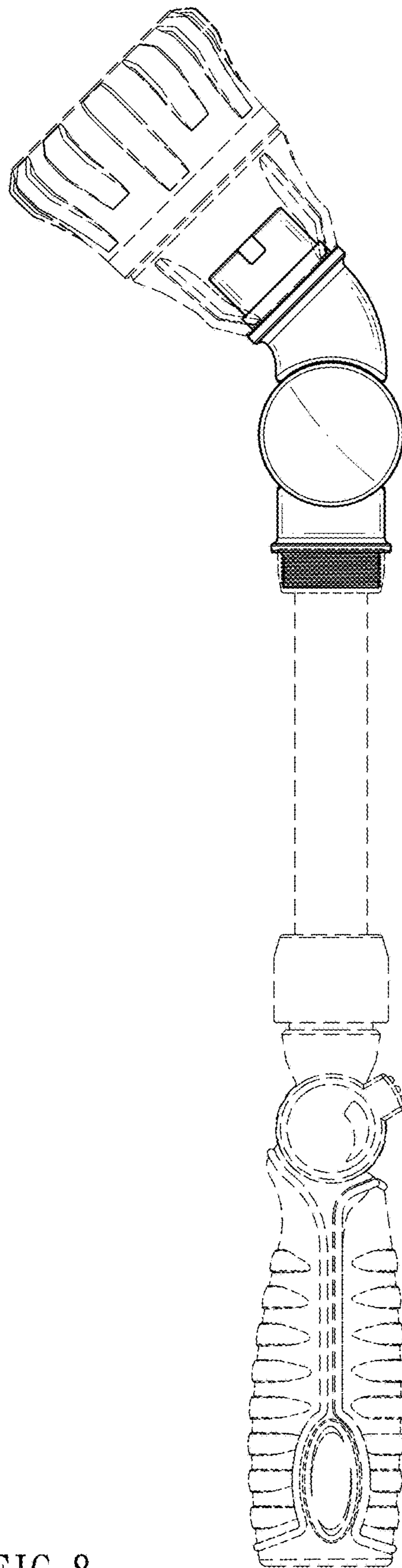


FIG. 8