



US00D798999S

(12) **United States Design Patent**
Stein et al.

(10) **Patent No.:** **US D798,999 S**

(45) **Date of Patent:** **** Oct. 3, 2017**

(54) **FLOW REGULATOR**

(71) Applicant: **NEOPERL GMBH**, Müllheim (DE)

(72) Inventors: **Alexander Stein**, Ihringen (DE); **Simon Twitchett**, Worcester (GB)

(73) Assignee: **NEOPERL GMBH**, Mullheim (DE)

(**) Term: **15 Years**

(21) Appl. No.: **29/556,970**

(22) Filed: **Mar. 4, 2016**

(30) **Foreign Application Priority Data**

Nov. 18, 2015 (WO) 48731

(51) **LOC (10) Cl.** **23-01**

(52) **U.S. Cl.**
USPC **D23/213**

(58) **Field of Classification Search**
USPC D23/213; 4/678; 239/428.5, 581.1,
239/582.1, 581.2; 261/DIG. 22
CPC E03C 1/084; B05B 7/0425; F15D 1/025
See application file for complete search history.

(56) **References Cited**

U.S. PATENT DOCUMENTS

5,467,929 A * 11/1995 Bosio B01F 3/0473
239/428.5
6,029,912 A * 2/2000 Woolley B05B 1/26
239/428.5

D435,632 S * 12/2000 Allison D23/213
D536,417 S * 2/2007 Buttgen D23/213
D676,525 S * 2/2013 Jones D23/213
D721,417 S * 1/2015 Sawchuk D23/213
D762,814 S * 8/2016 Sawchuk D23/213
D777,879 S * 1/2017 Sawchuk D23/213

* cited by examiner

Primary Examiner — Robin V Webster

(74) *Attorney, Agent, or Firm* — Volpe and Koenig, P.C.

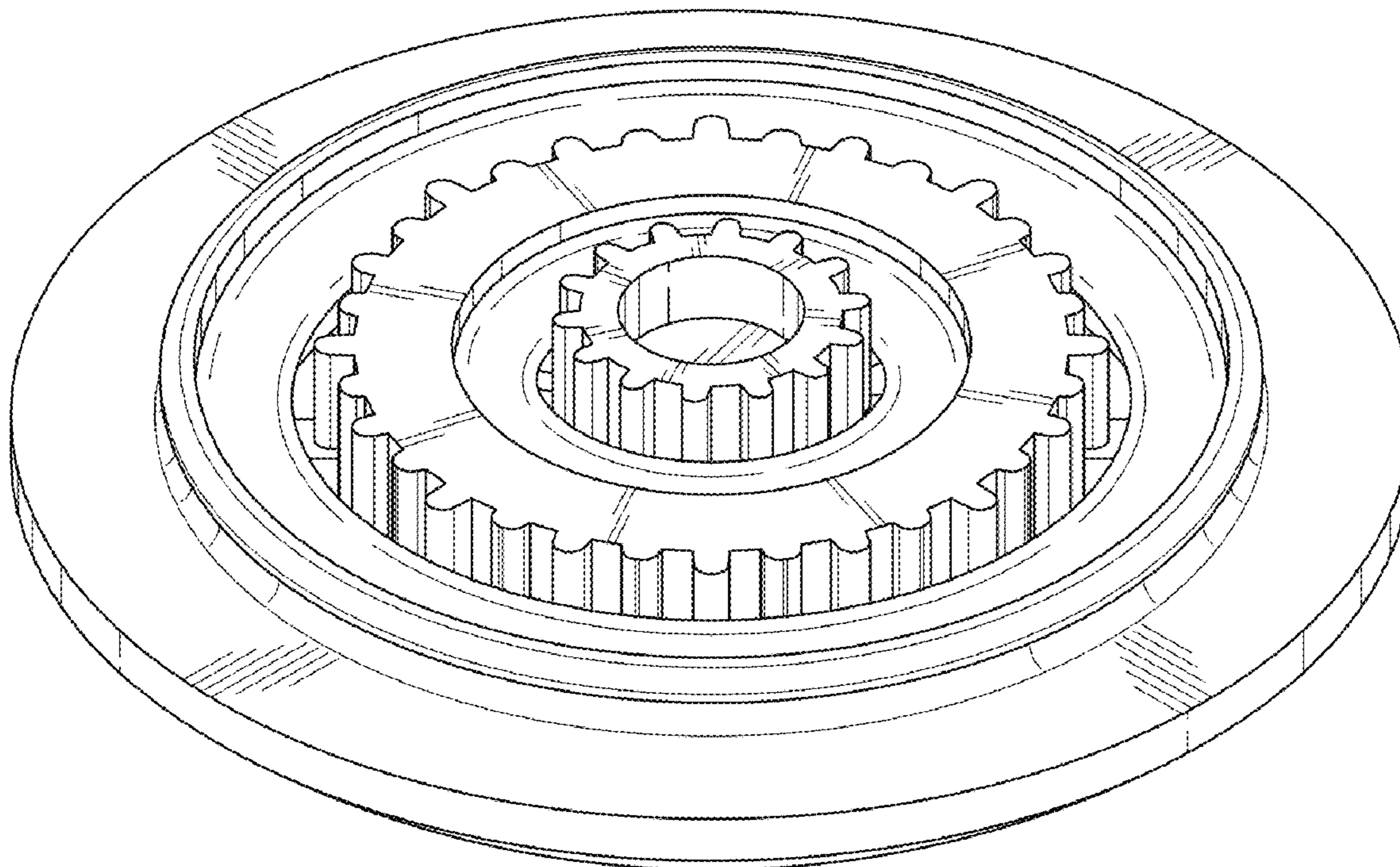
(57) **CLAIM**

The ornamental design for a flow regulator, as shown and described.

DESCRIPTION

FIG. 1 is a top plan view of a third embodiment of the flow regulator of our design;
FIG. 2 is a top isometric view thereof;
FIG. 3 is a bottom view thereof;
FIG. 4 is a bottom isometric view thereof;
FIG. 5 is a front elevational view thereof;
FIG. 6 is a rear elevational view thereof;
FIG. 7 is a right side elevational view thereof;
FIG. 8 is a left side elevational view thereof; and,
FIG. 9 is a top isometric cross section view thereof.

1 Claim, 9 Drawing Sheets



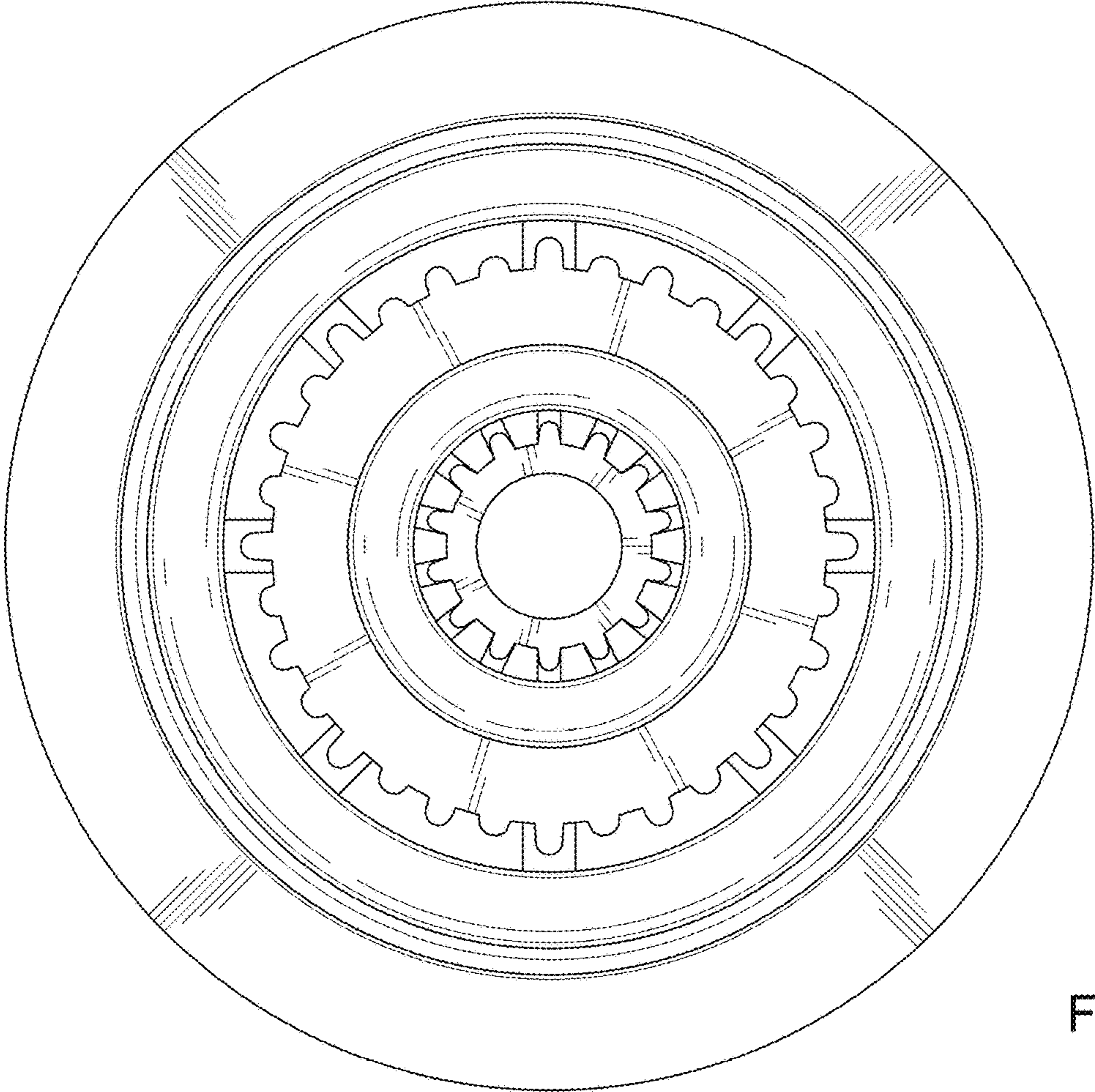


FIG. 1

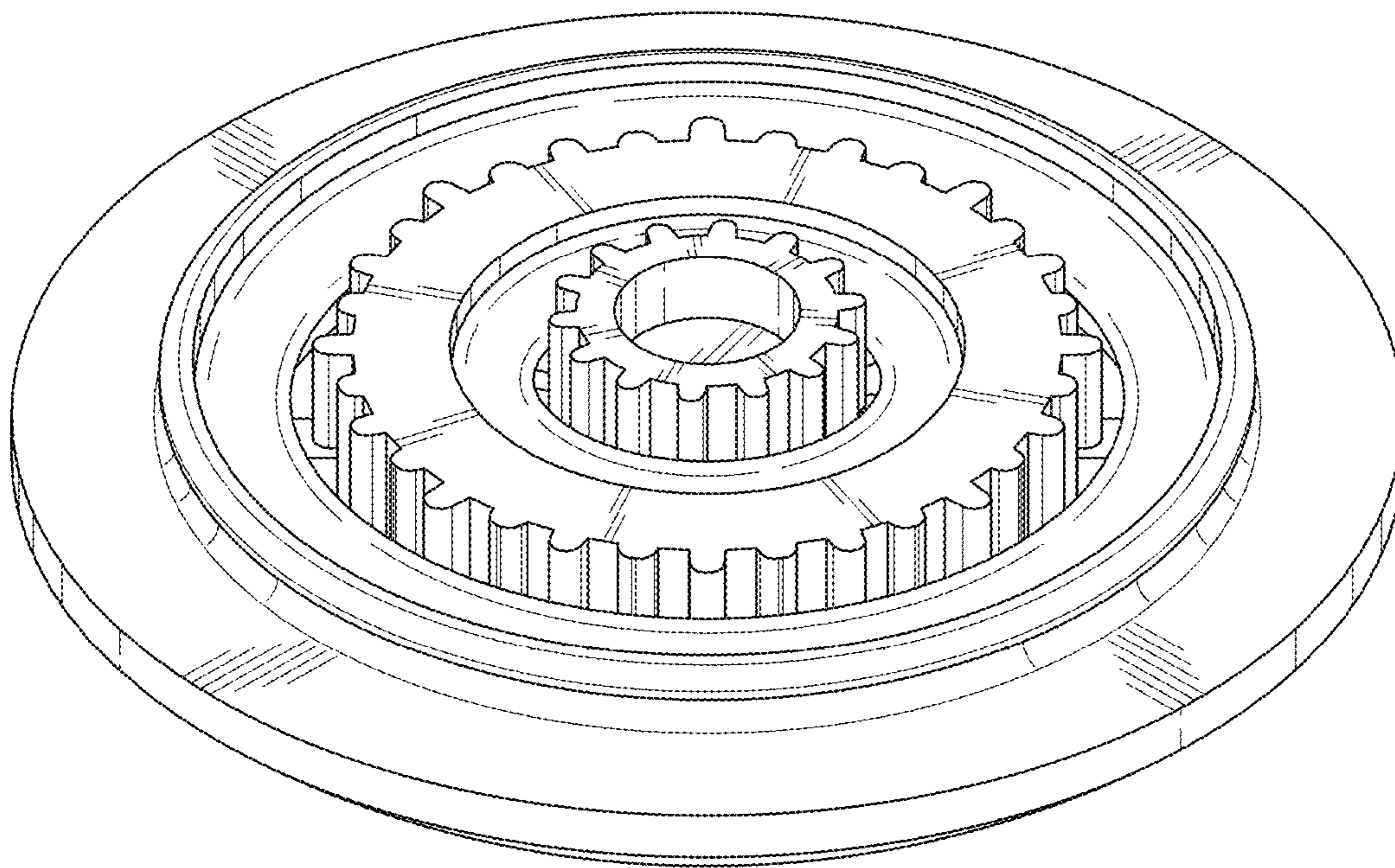


FIG. 2

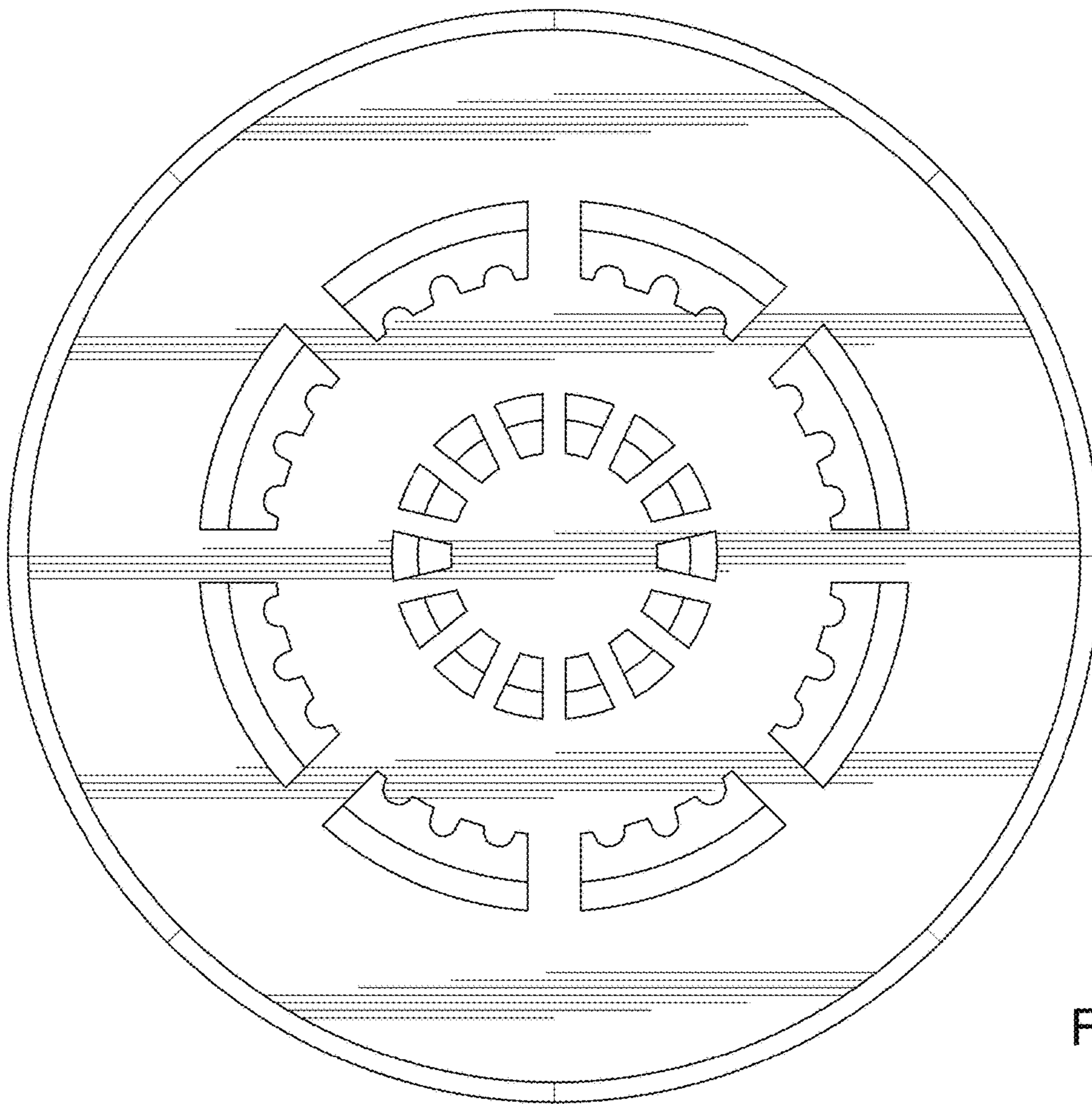


FIG. 3

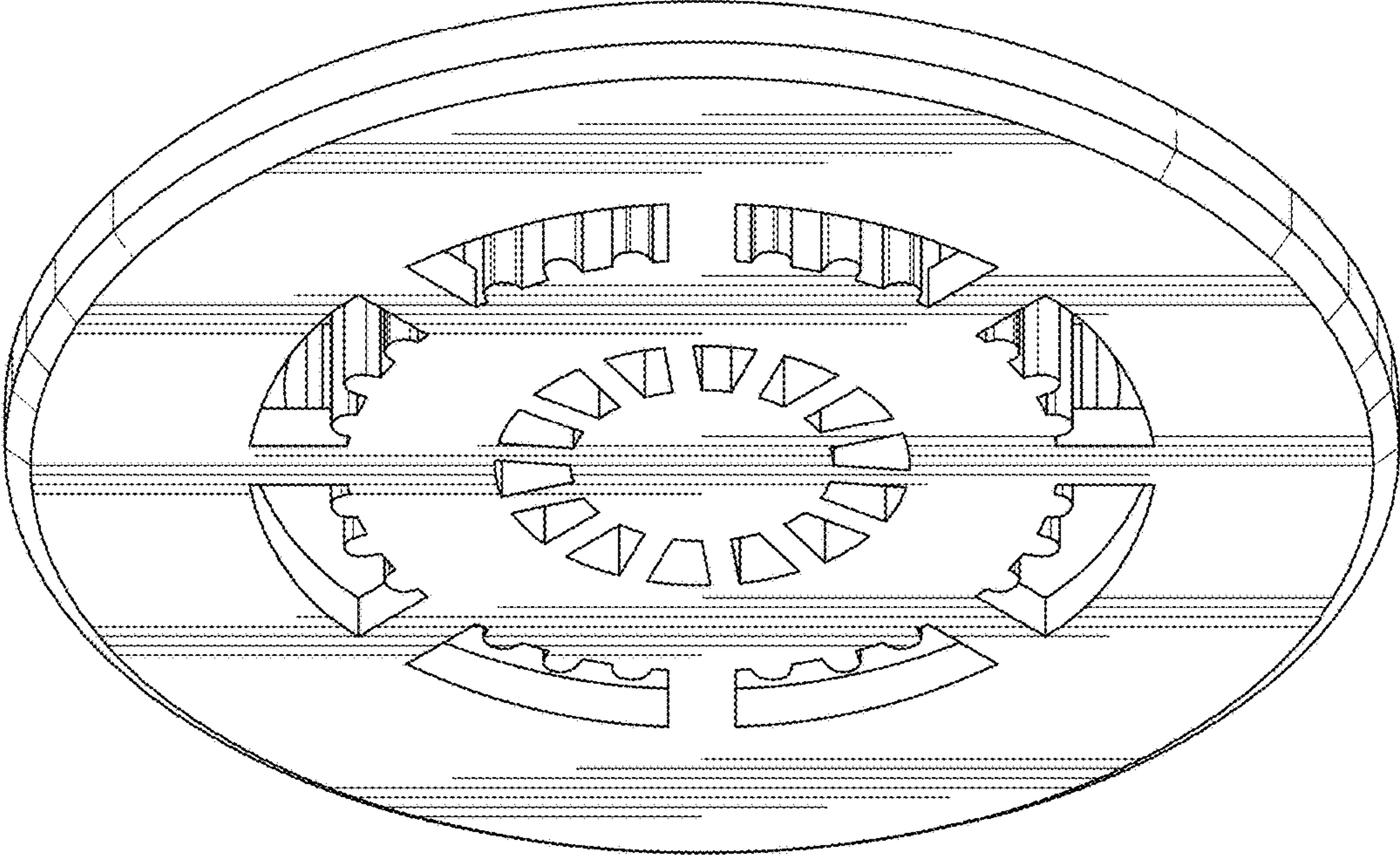


FIG. 4

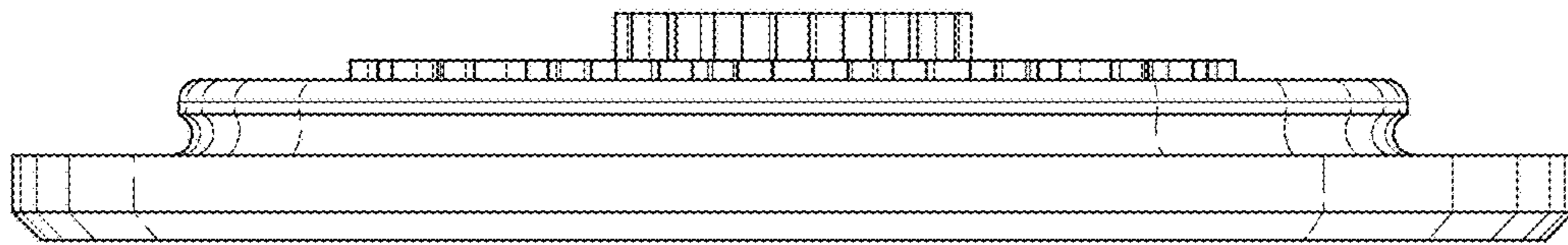


FIG. 5

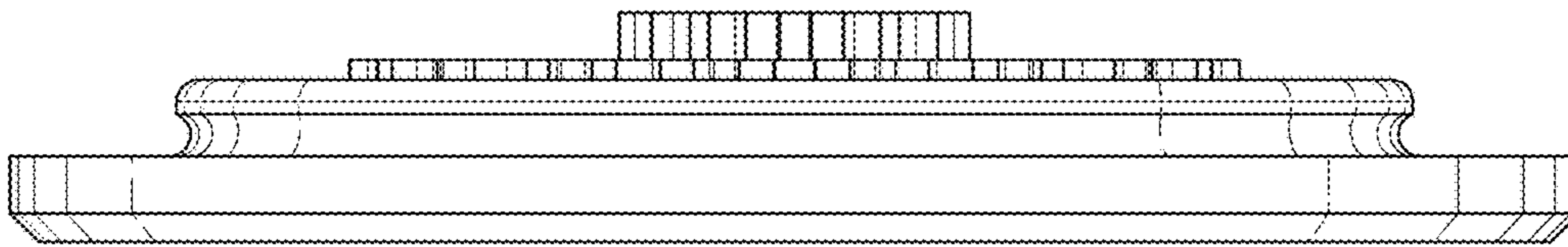


FIG. 6

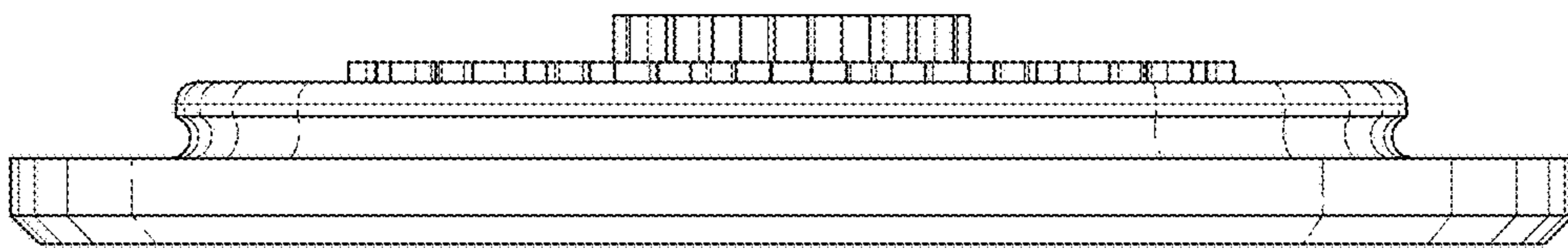


FIG. 7

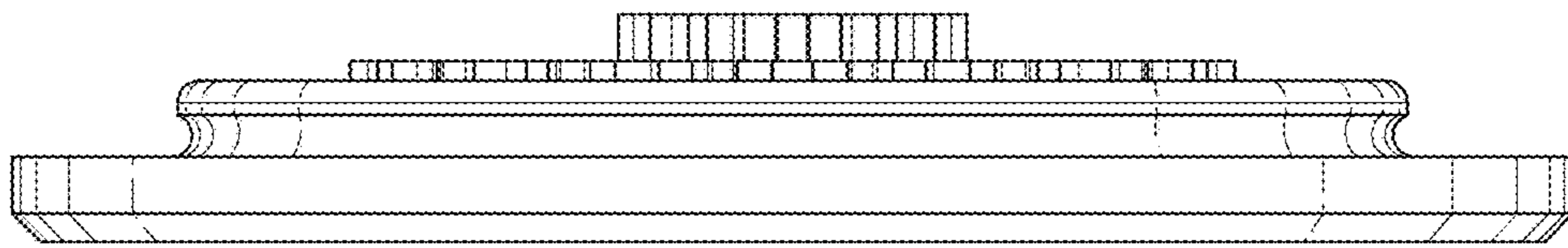


FIG. 8

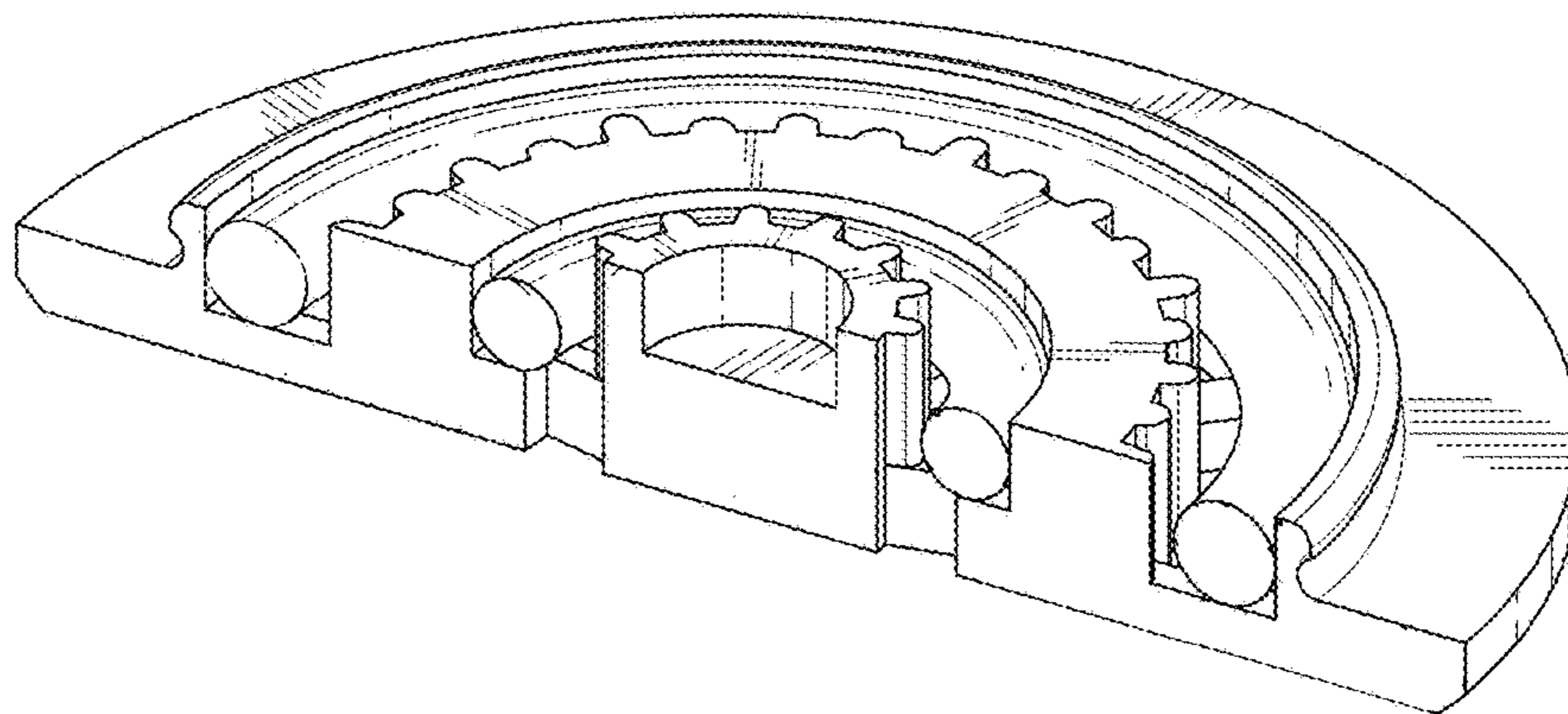


FIG. 9

UNITED STATES PATENT AND TRADEMARK OFFICE
CERTIFICATE OF CORRECTION

PATENT NO. : D798,999 S
APPLICATION NO. : 29/556970
DATED : October 3, 2017
INVENTOR(S) : Alexander Stein and Simon Twitchett

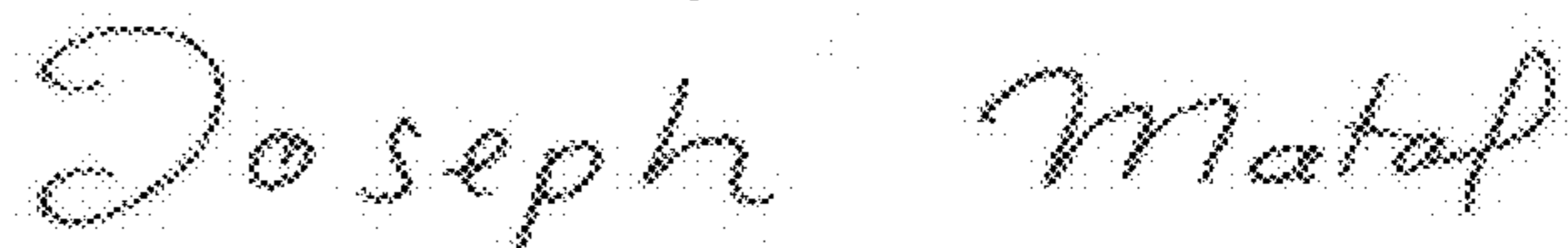
Page 1 of 1

It is certified that error appears in the above-identified patent and that said Letters Patent is hereby corrected as shown below:

On the Title Page

Under "Description" replace "FIG. 1 is a top plan view of a third embodiment of the flow regulator of our design;" with the following -- FIG. 1 is a top plan view of the flow regulator of our design; --

Signed and Sealed this
Nineteenth Day of December, 2017



Joseph Matal

*Performing the Functions and Duties of the
Under Secretary of Commerce for Intellectual Property and
Director of the United States Patent and Trademark Office*