



US00D798997S

(12) **United States Design Patent**  
**Zou**

(10) **Patent No.:** **US D798,997 S**  
(45) **Date of Patent:** **\*\* Oct. 3, 2017**

- (54) **WATER FILTER**
- (71) Applicant: **HONG KONG ECOAQUA CO., LIMITED**, Chai Wan (HK)
- (72) Inventor: **Zhibin Zou**, Qingdao (CN)
- (73) Assignee: **Hong Kong EcoAqua Co., Limited**, Hong Kong (HK)
- (\*\*) Term: **15 Years**
- (21) Appl. No.: **29/563,510**
- (22) Filed: **May 5, 2016**
- (51) **LOC (10) Cl.** ..... **23-01**
- (52) **U.S. Cl.**  
USPC ..... **D23/209**
- (58) **Field of Classification Search**  
USPC ..... D23/207, 209; 215/384; D7/316, 318, D7/319, 397, 612, 629  
CPC .... B01D 35/30; B01D 35/153; B01D 29/111; C02F 1/003; B65D 23/102  
See application file for complete search history.

6,508,932 B1 \* 1/2003 Mueller ..... B01D 35/147  
137/535  
D484,568 S \* 12/2003 Janik ..... D23/209  
D487,497 S \* 3/2004 Ti ..... D23/209  
8,216,463 B1 \* 7/2012 Baird ..... B01D 35/30  
210/232  
8,268,170 B2 \* 9/2012 Core ..... B01D 29/21  
210/232

\* cited by examiner

*Primary Examiner* — Robin V Webster

(74) *Attorney, Agent, or Firm* — Schmeiser, Olsen & Watts, LLP

(57) **CLAIM**

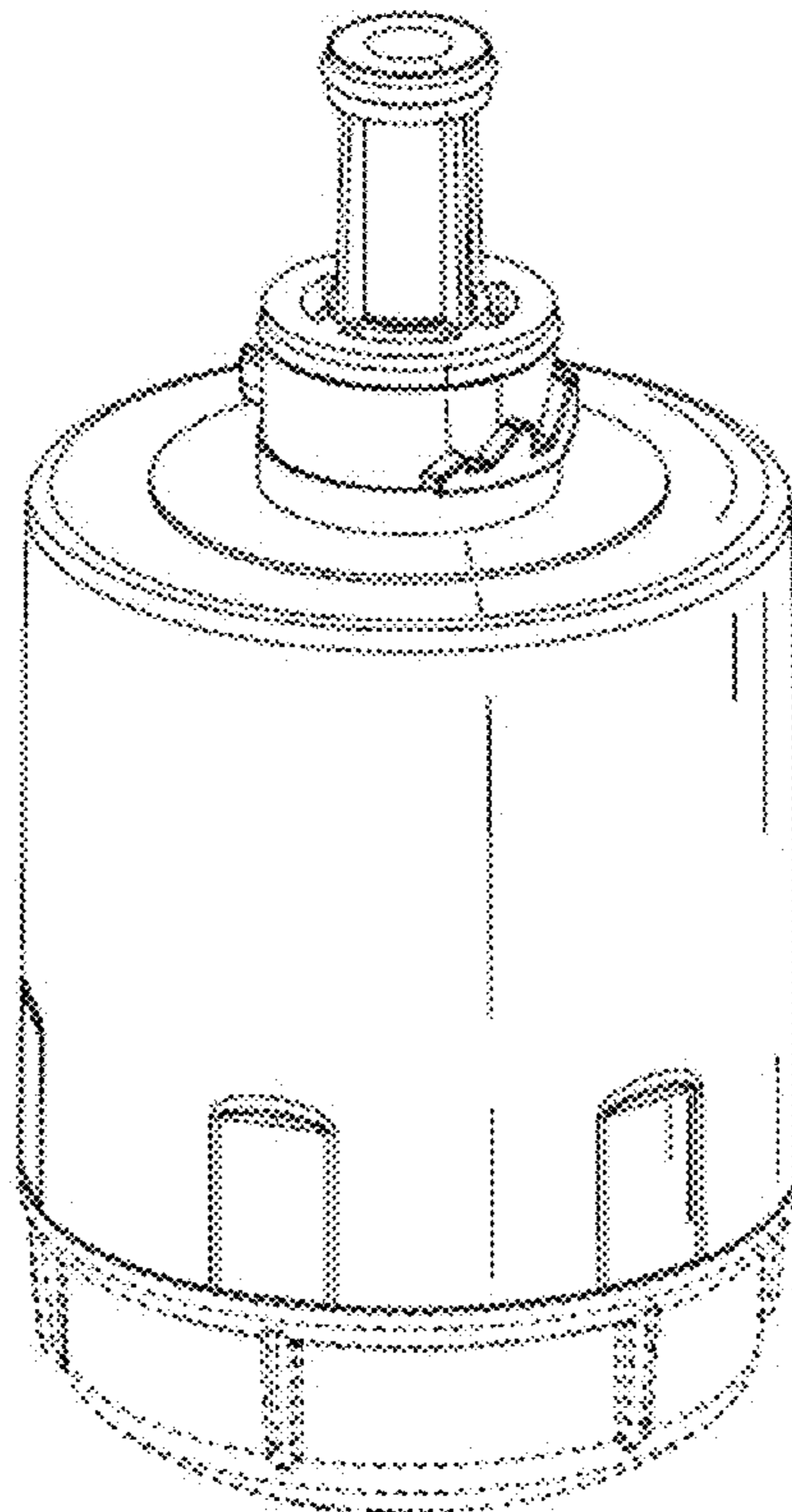
The ornamental design for a water filter, as shown and described.

**DESCRIPTION**

FIG. 1 is a Front elevational view of a water filter showing my new design;  
 FIG. 2 is a Rear elevational view thereof;  
 FIG. 3 is a Right side view thereof;  
 FIG. 4 is a Left side view thereof;  
 FIG. 5 is a Top plan view thereof;  
 FIG. 6 is a Bottom plan view thereof; and,  
 FIG. 7 is a perspective view thereof.  
 The broken lines in the drawing depict portions of the water filter that form no part of the claimed design.

- (56) **References Cited**  
U.S. PATENT DOCUMENTS  
D309,974 S \* 8/1990 Tannous ..... D23/209  
D458,341 S \* 6/2002 Pratt ..... D23/209

**1 Claim, 7 Drawing Sheets**



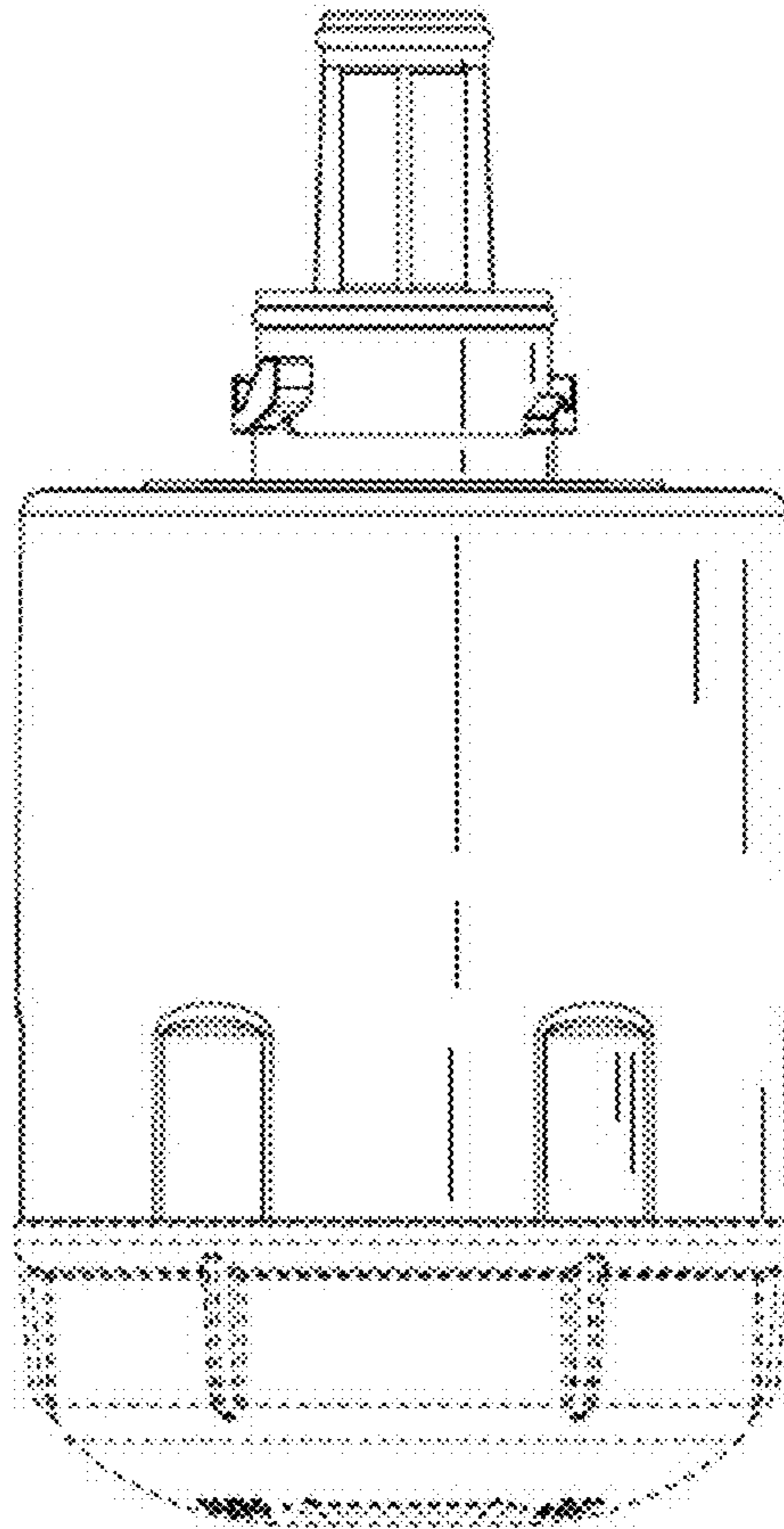


Figure 1

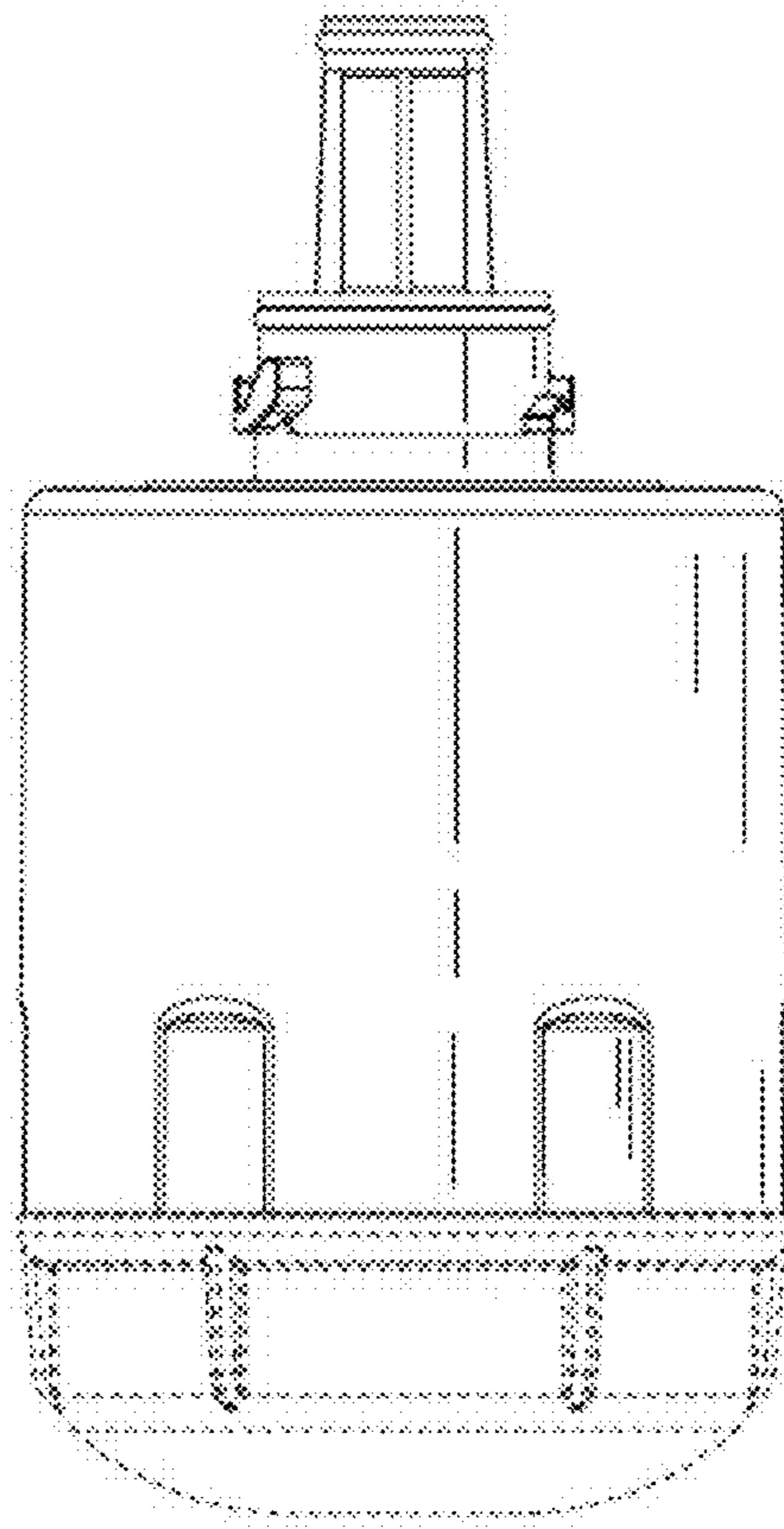


Figure 2

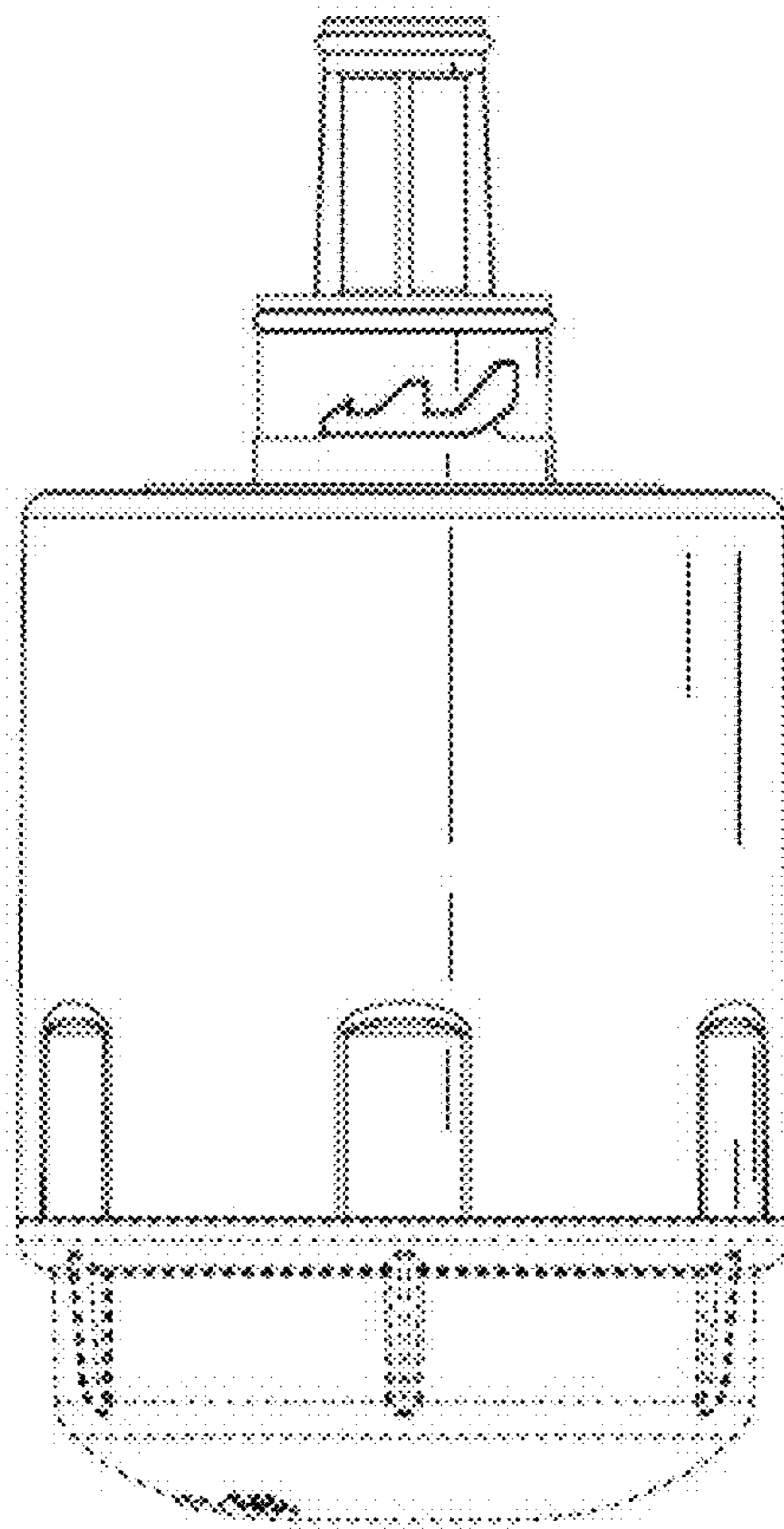


Figure 3

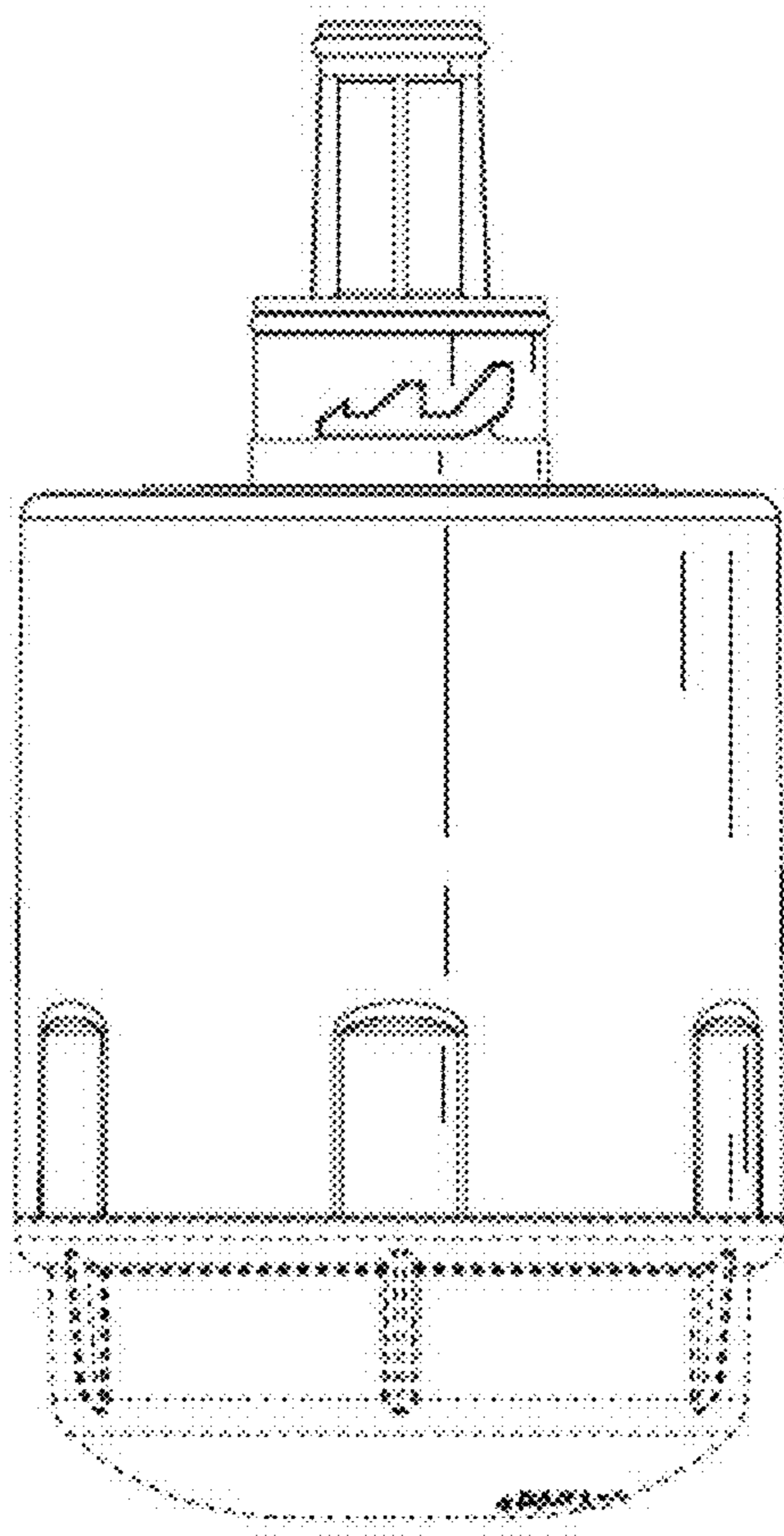


Figure 4

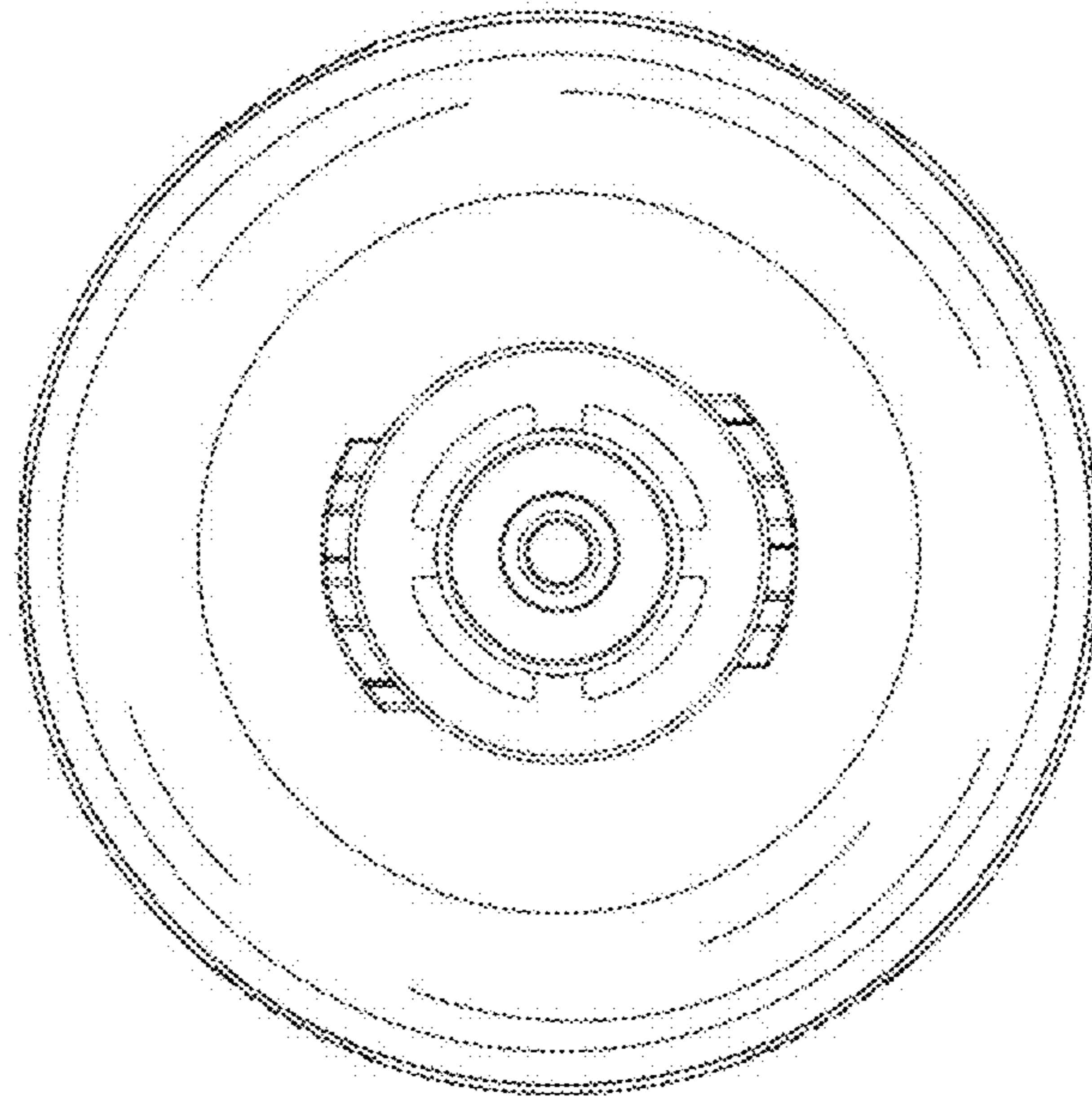


Figure 5

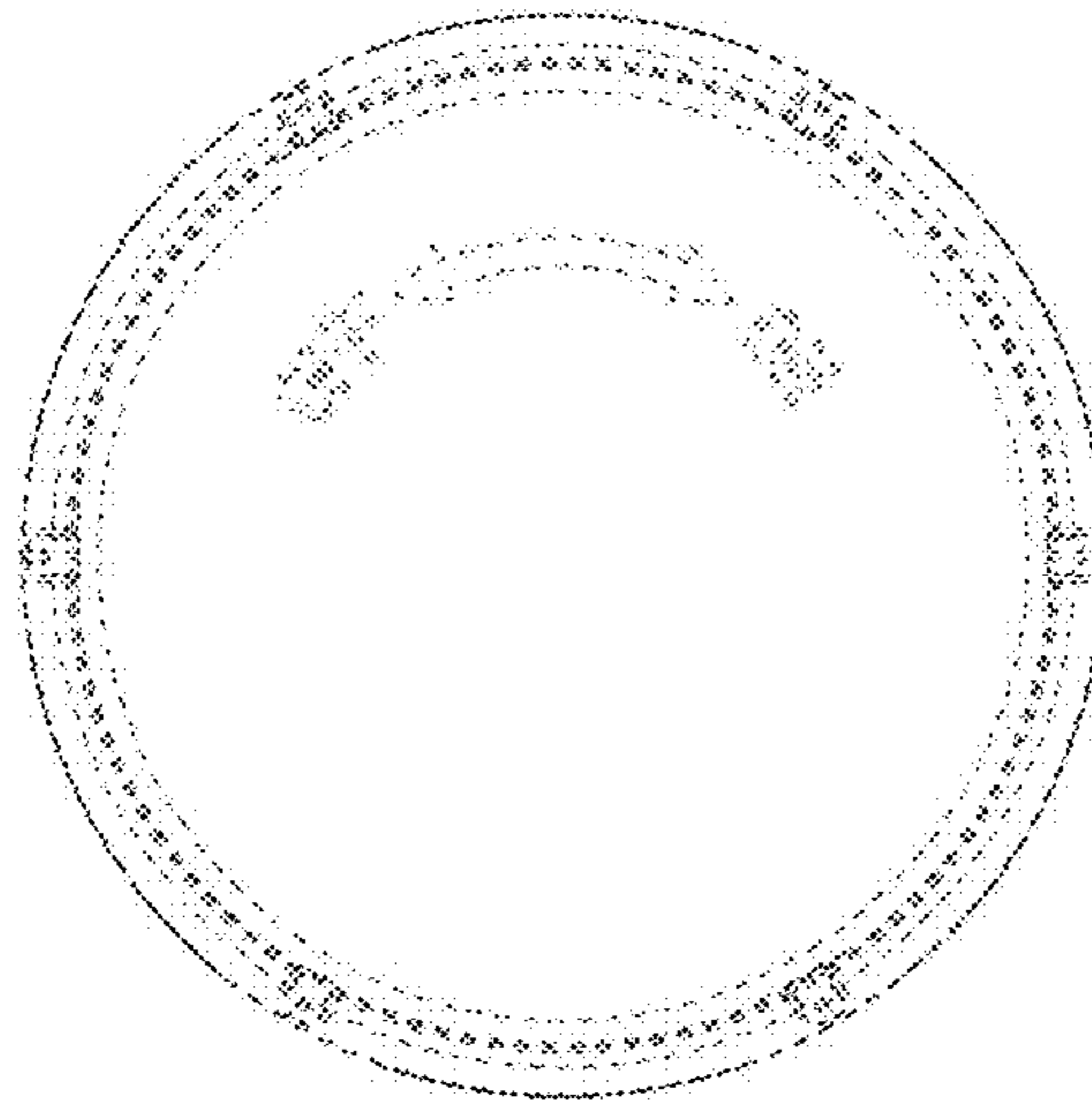


Figure 6

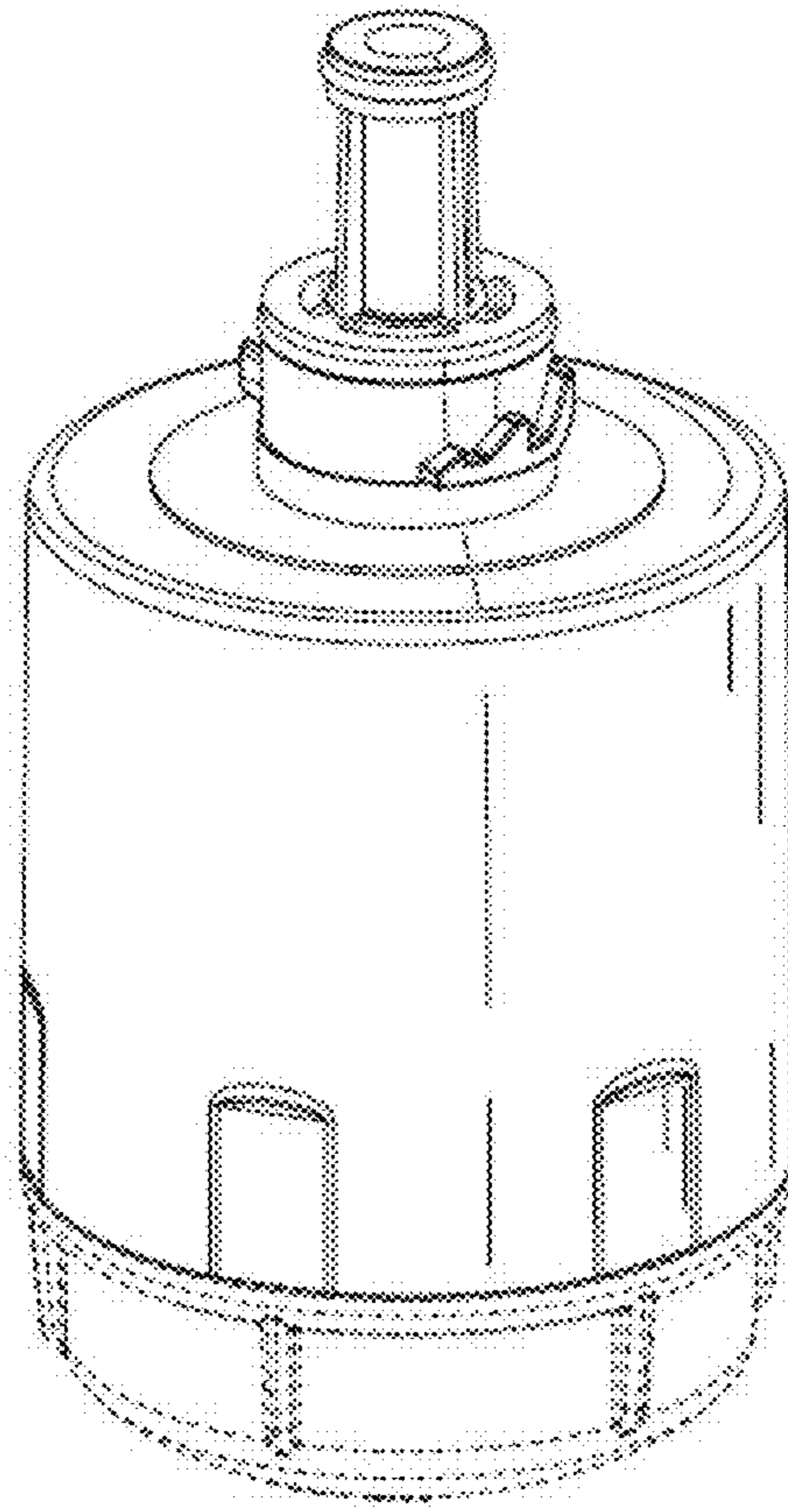


Figure 7