

US00D798994S

(12) **United States Design Patent**
Mittag

(10) **Patent No.:** **US D798,994 S**

(45) **Date of Patent:** **** Oct. 3, 2017**

(54) **UTILITY BUCKET**

(71) Applicant: **Frank Mittag**, Crosby, TX (US)

(72) Inventor: **Frank Mittag**, Crosby, TX (US)

(**) Term: **15 Years**

(21) Appl. No.: **29/537,817**

(22) Filed: **Aug. 28, 2015**

(51) **LOC (10) Cl.** **23-01**

(52) **U.S. Cl.**
USPC **D23/205**

(58) **Field of Classification Search**

USPC D8/16, 19, 349, 354, 355, 363, 364, 366,
D8/370-373, 376, 380, 382, 384-386,
D8/400, 499; D6/553, 550, 323;
D23/223, 238, 252, 257, 202, 205, 206;
D11/208; D20/15, 41, 42; D12/416;
D25/38.1, 39, 43; D3/210, 228;
D13/133, 146-148, 154, 184, 199;
D32/29, 30, 53, 53.1, 54; D30/121, 124,
D30/128, 133; D21/526
CPC ... E02F 3/962; E02F 3/34; E02F 3/342; E02F
3/345; E02F 3/3486; E02F 3/3604; E02F
3/40; A01K 97/05; A01K 97/06; E01H
5/12; E01H 1/045; A01D 87/0061; A01D
87/127; E04G 21/025; E04G 21/04;
F16M 13/02

See application file for complete search history.

(56) **References Cited**

U.S. PATENT DOCUMENTS

D42,567 S * 5/1912 Stockstrom D23/205
D88,497 S * 12/1932 Berry et al. D23/205

D222,252 S * 10/1971 Coleman et al. D23/205
D222,253 S * 10/1971 Coleman et al. D23/205
D226,481 S * 3/1973 Coleman et al. D23/205
7,967,264 B1 * 6/2011 Peterson E06C 7/143
182/115
D761,379 S * 7/2016 Hart D23/202
2007/0228237 A1 * 10/2007 Pochurek E06C 7/143
248/210

* cited by examiner

Primary Examiner — Robert M Spear

Assistant Examiner — Eliza Bennett-Hattan

(57) **CLAIM**

The ornamental design for a utility bucket, as shown.

DESCRIPTION

FIG. 1 is a perspective view of a utility bucket according to the present application.

FIG. 2 is a front view of the utility bucket of FIG. 1.

FIG. 3 is a back view of the utility bucket of FIG. 1.

FIG. 4 is a left view of the utility bucket of FIG. 1.

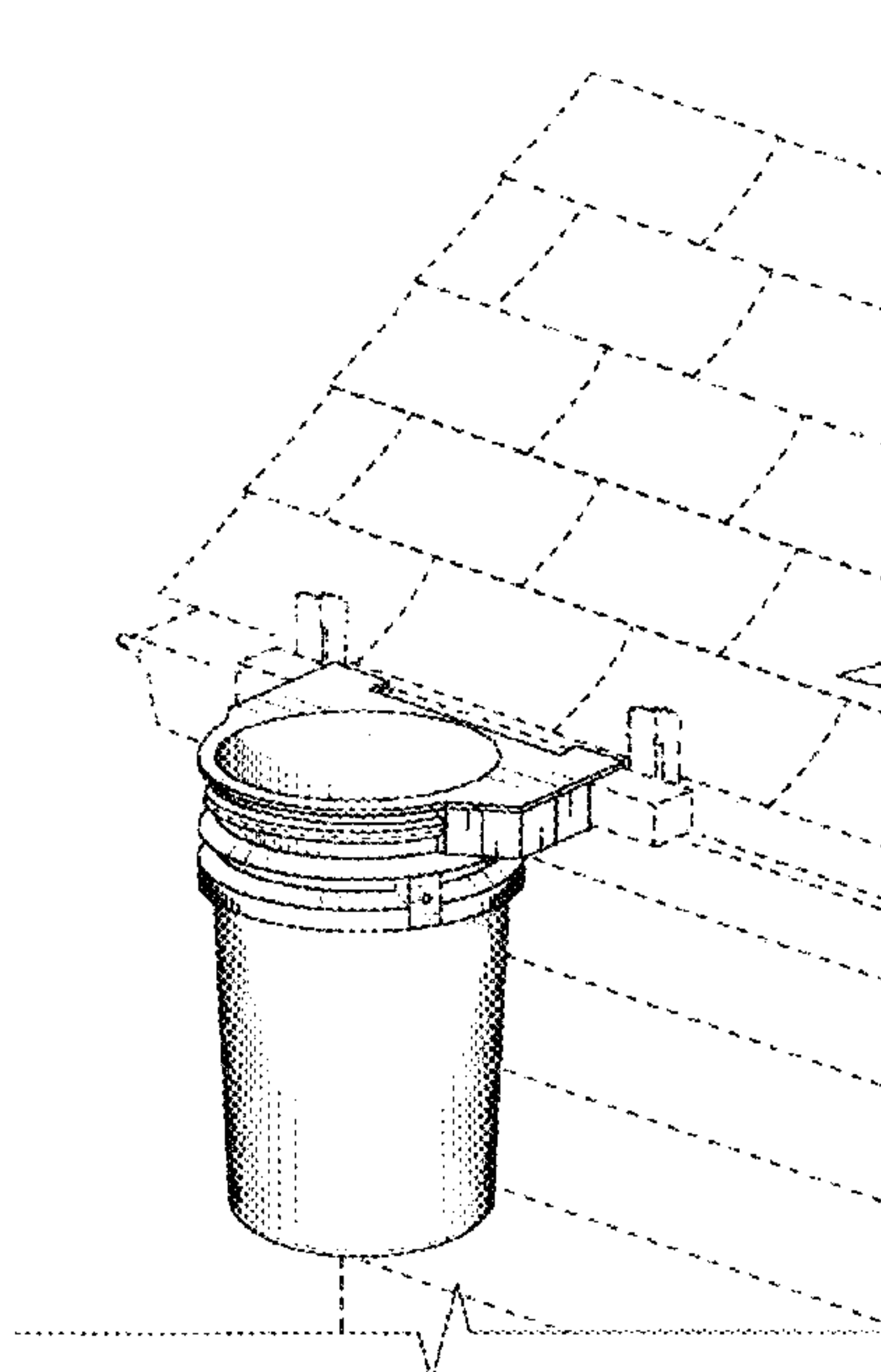
FIG. 5 is a right view of the utility bucket of FIG. 1.

FIG. 6 is a top view of the utility bucket of FIG. 1; and,

FIG. 7 is a bottom view of the utility bucket of FIG. 1.

The broken lines showing a bracket with clamps in the Figures are included for the purpose of illustrating environmental structure and unclaimed subject matter and form no part of the claimed design.

1 Claim, 4 Drawing Sheets



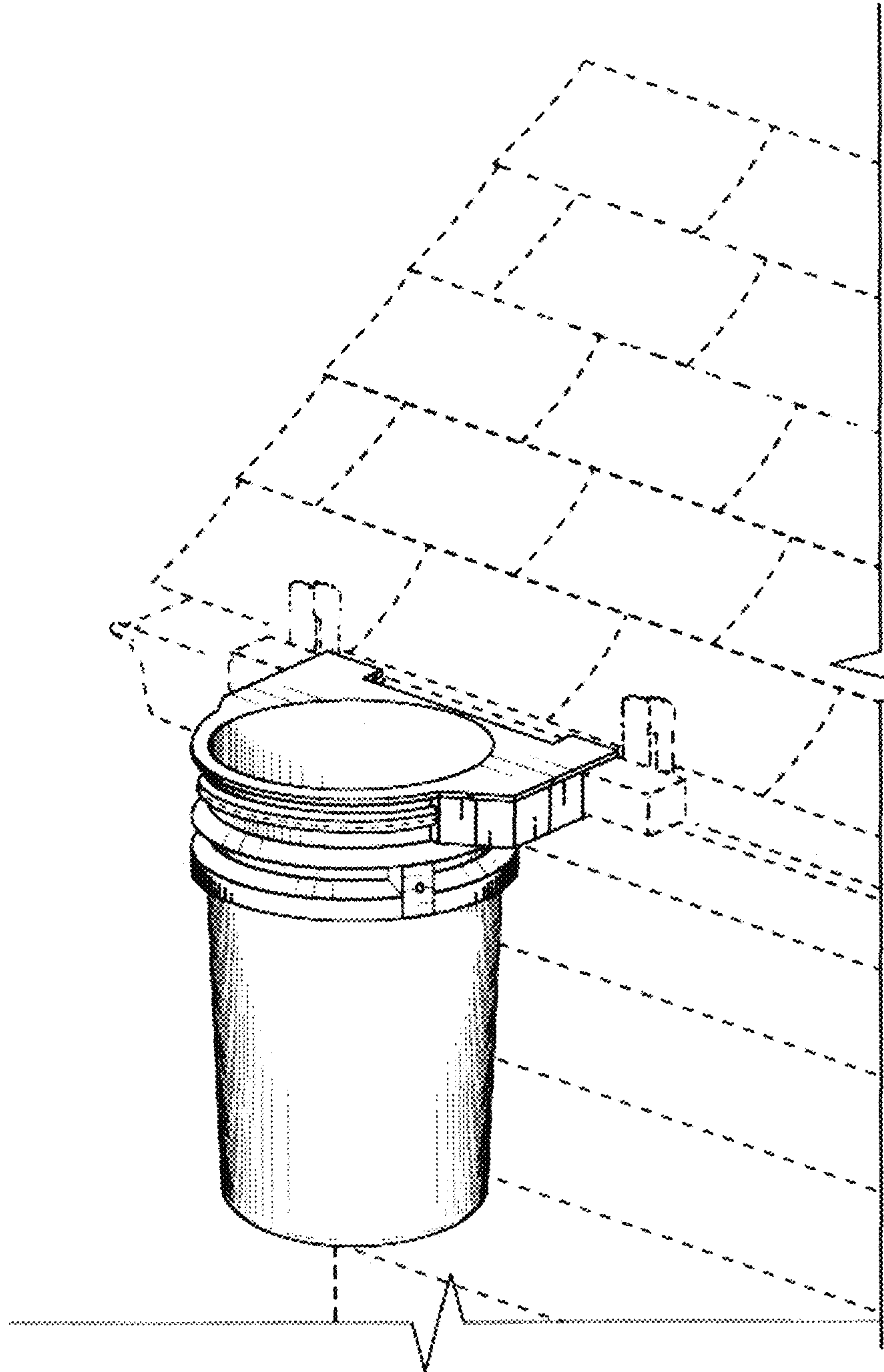


FIG. 1

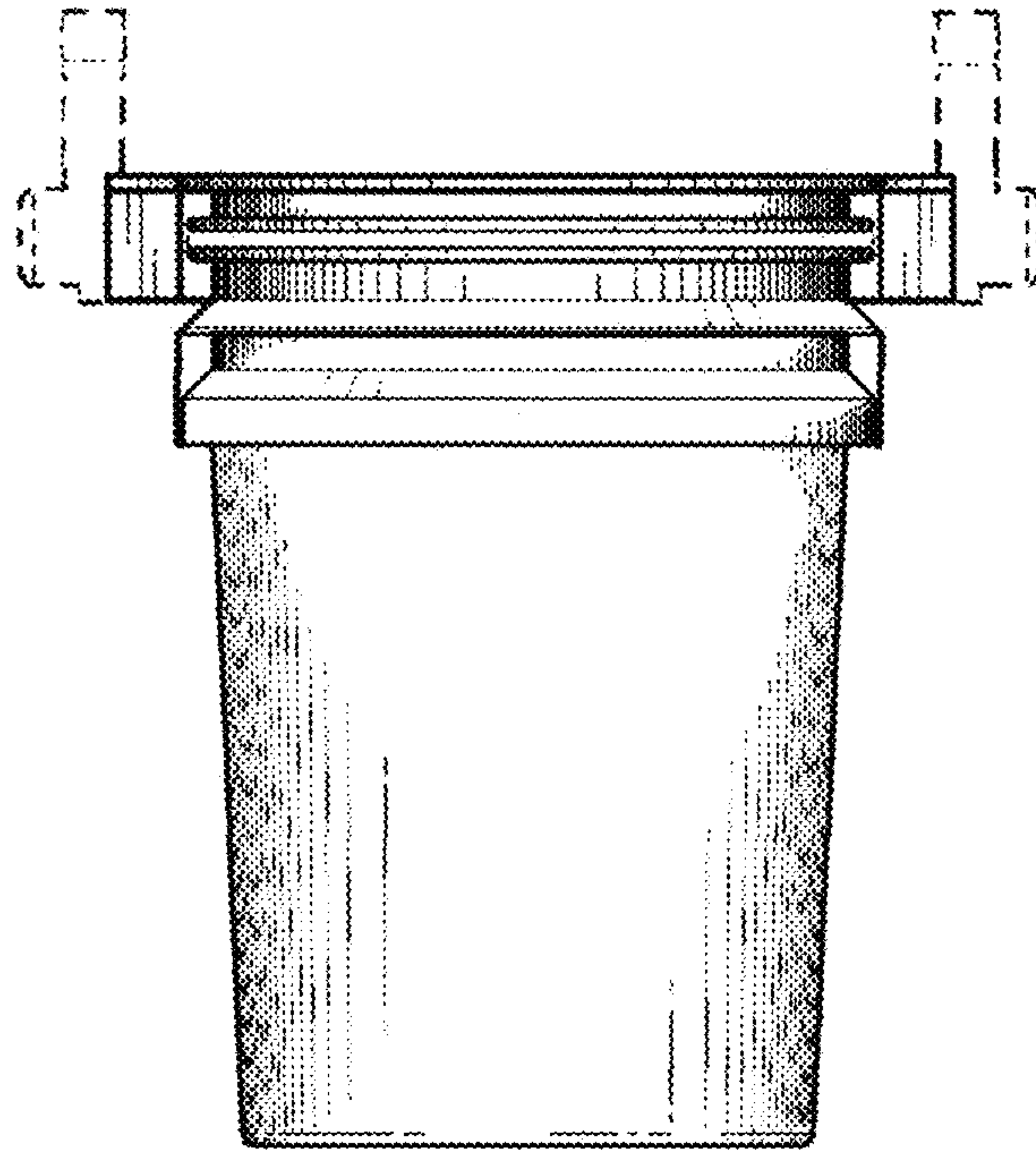


FIG. 2

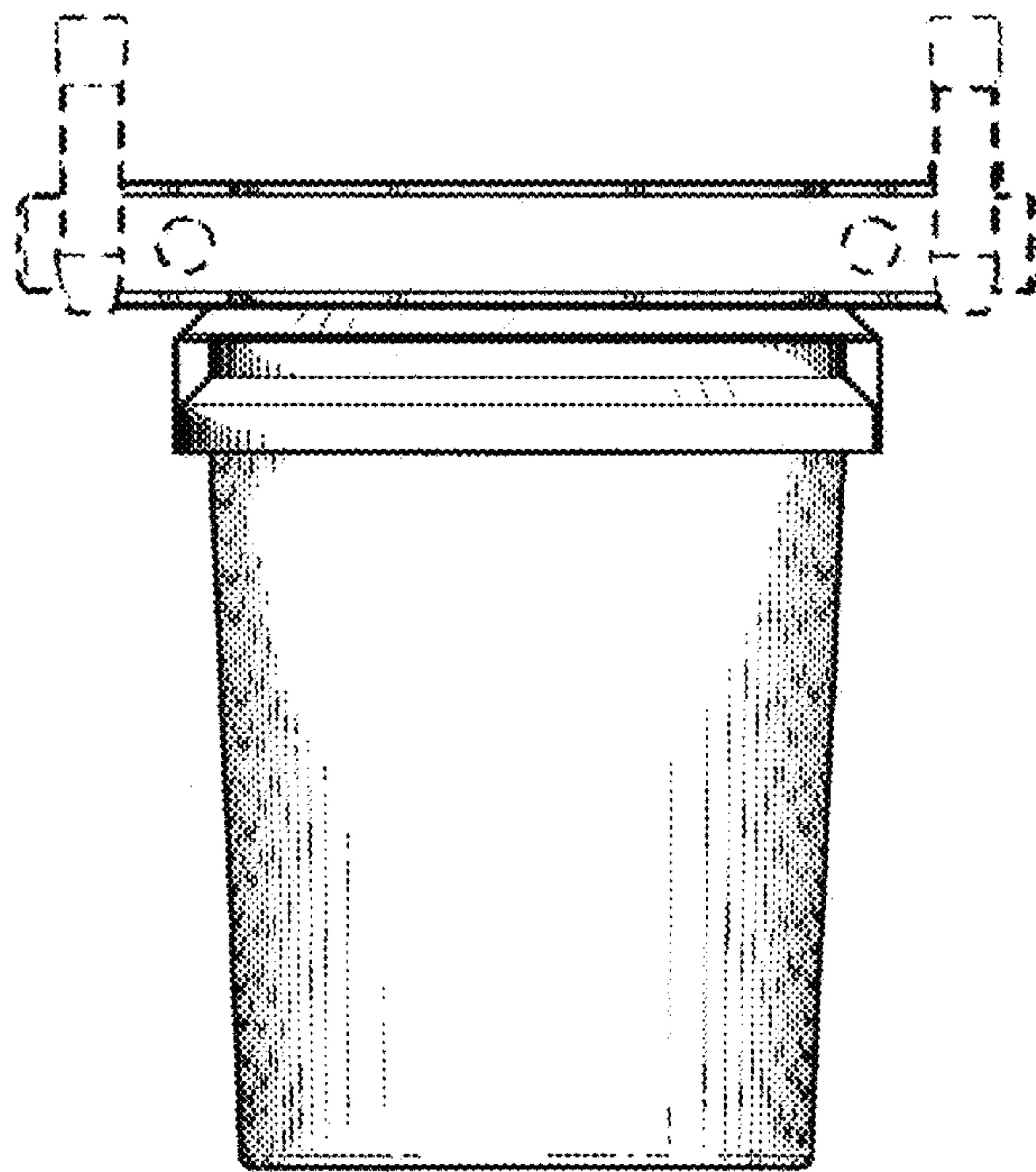


FIG. 3

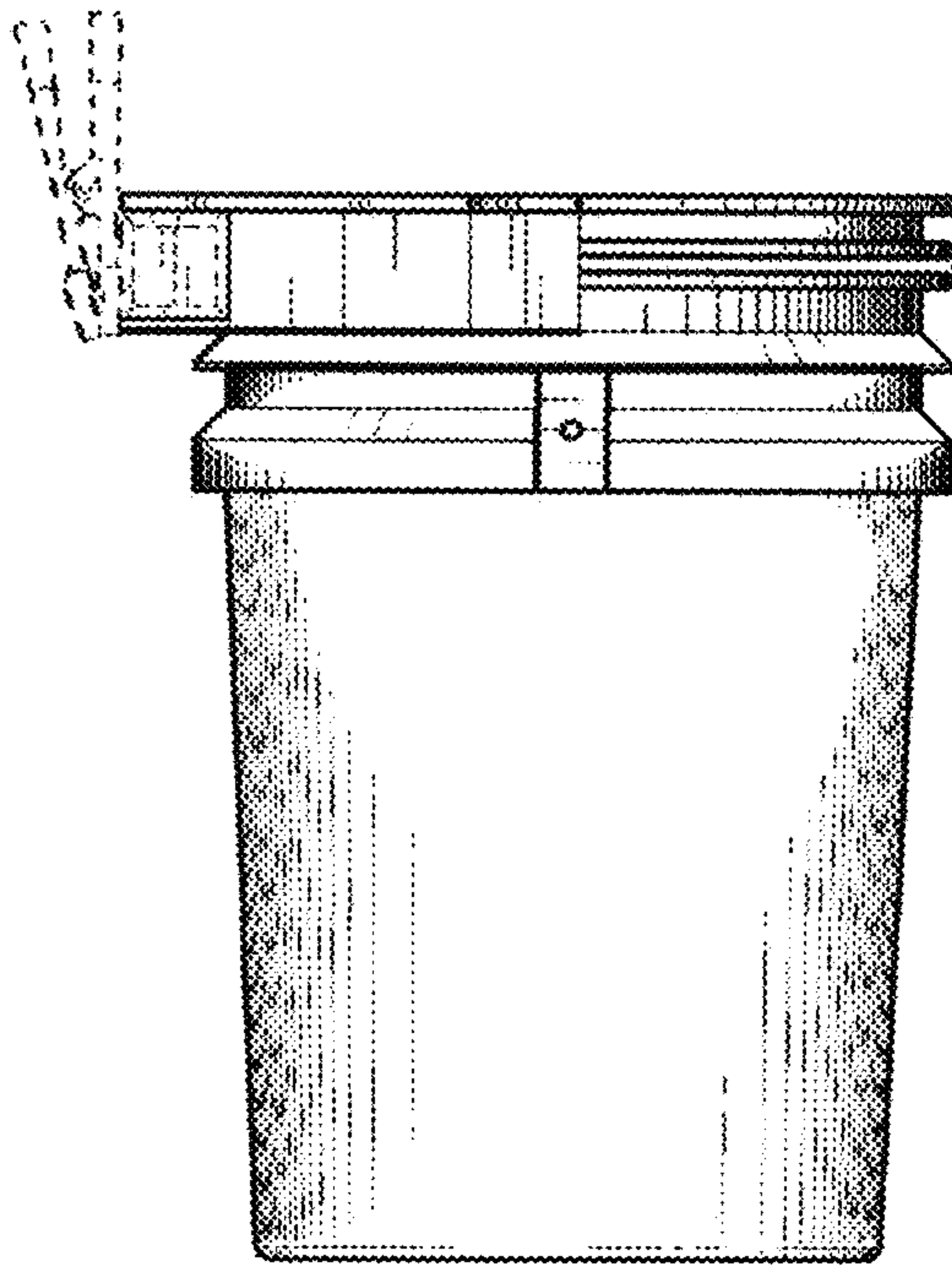


FIG. 4

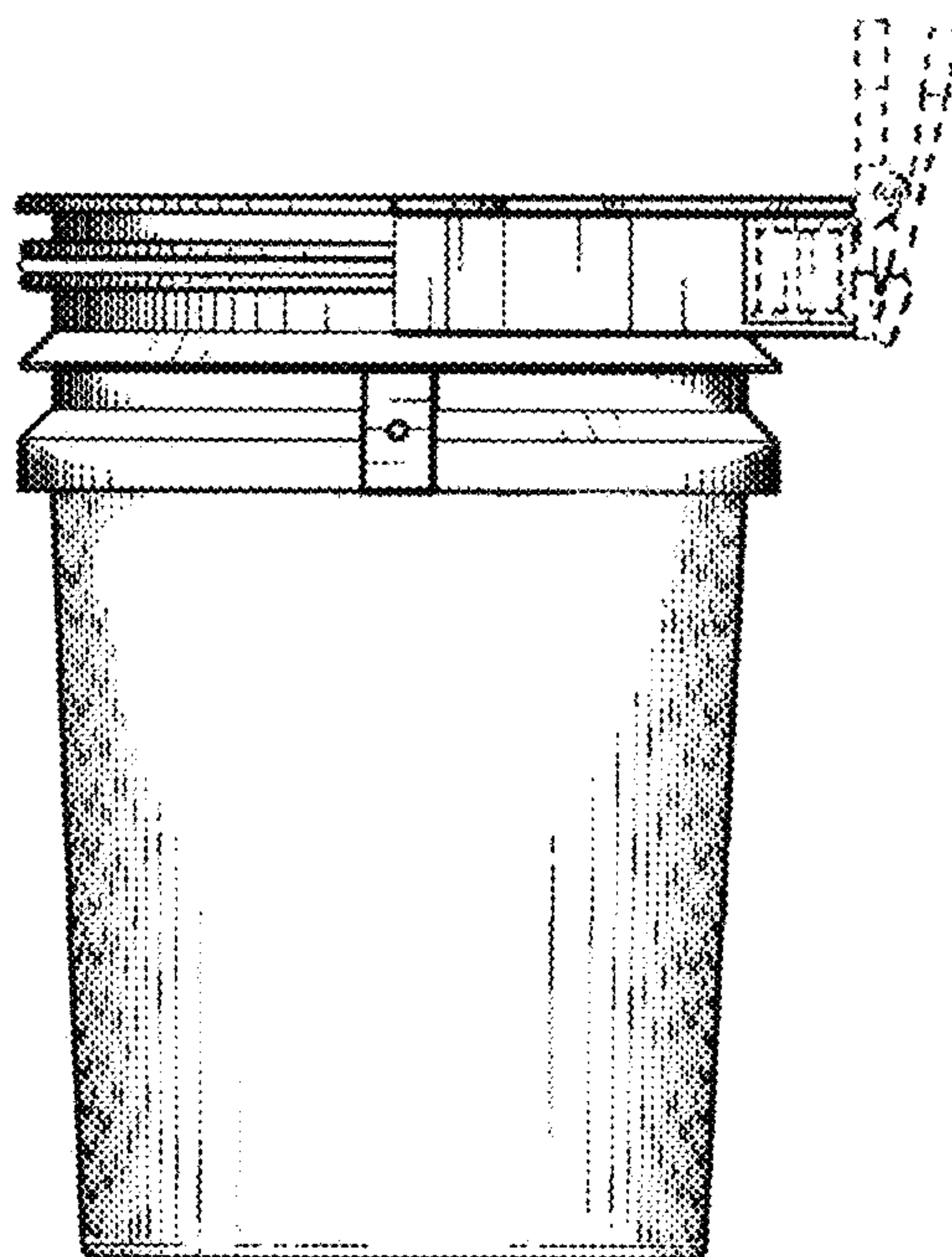


FIG. 5

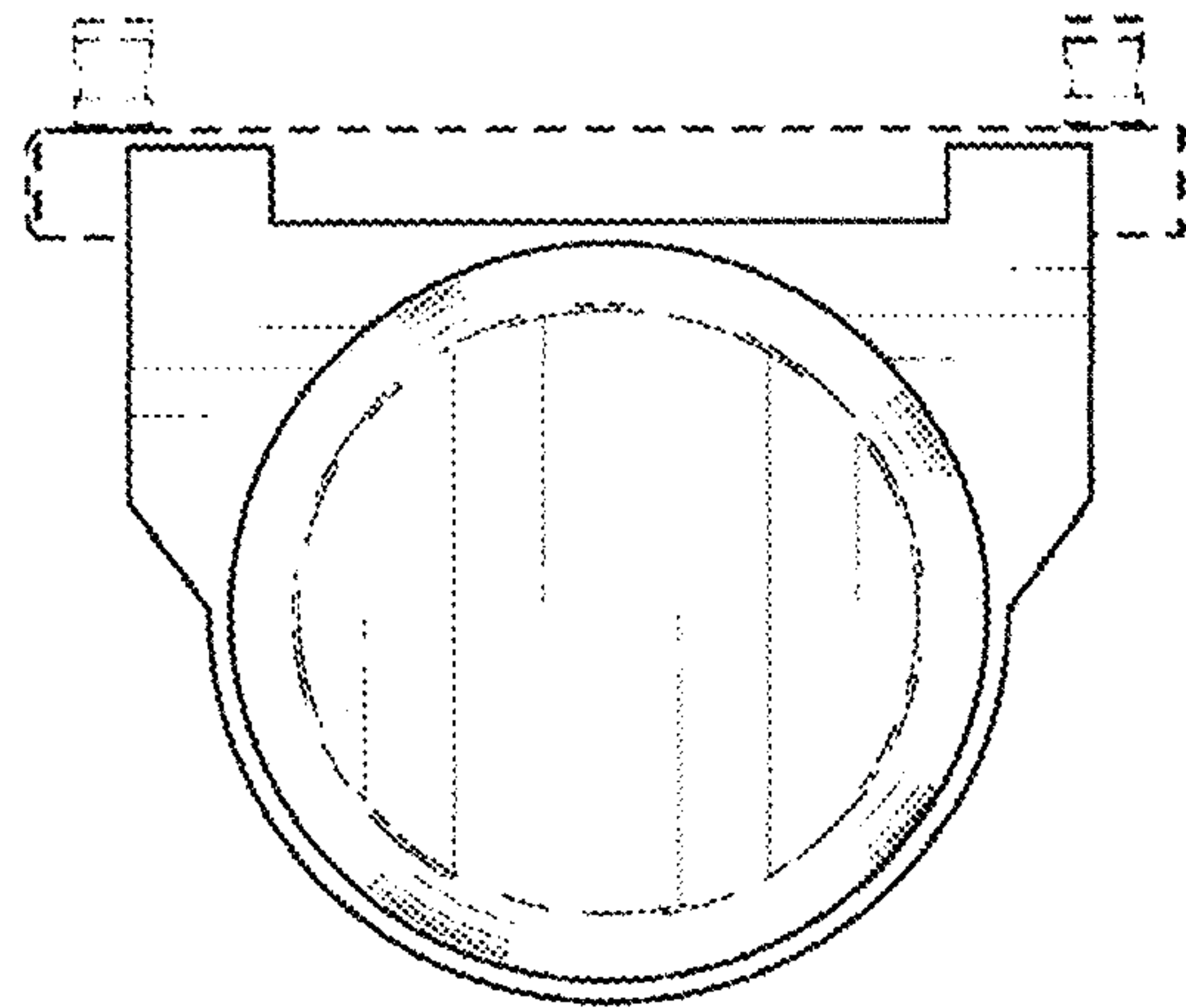


FIG. 6

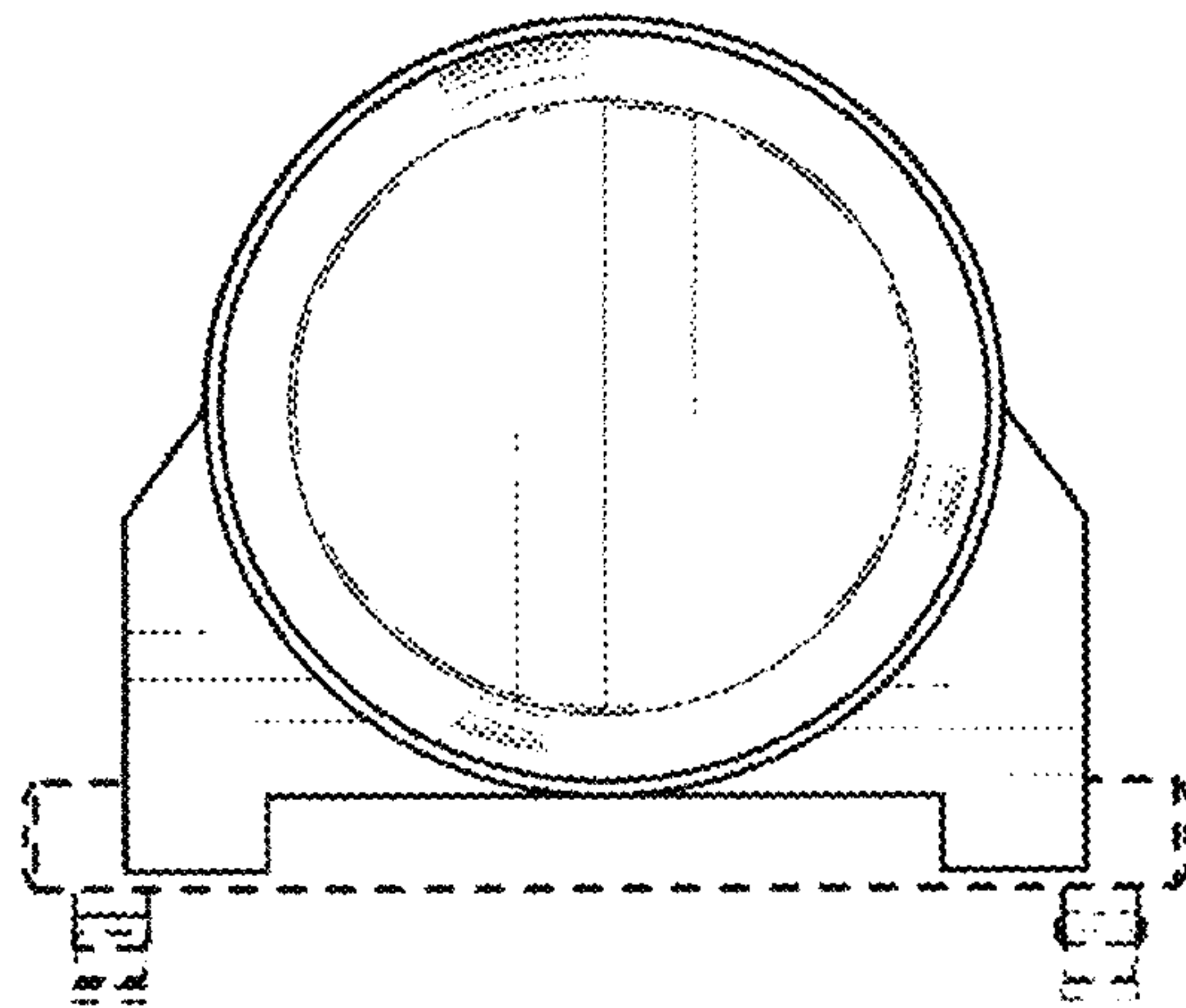


FIG. 7