



US00D798993S

(12) **United States Design Patent** (10) **Patent No.:** **US D798,993 S**
Mittag (45) **Date of Patent:** **** Oct. 3, 2017**

(54) **SUPPORT BRACKET FOR A GUTTER MOUNTED BUCKET**

(71) Applicant: **Frank Mittag**, Crosby, TX (US)

(72) Inventor: **Frank Mittag**, Crosby, TX (US)

(**) Term: **15 Years**

(21) Appl. No.: **29/536,202**

(22) Filed: **Aug. 14, 2015**

(51) **LOC (10) Cl.** **23-01**

(52) **U.S. Cl.**
USPC **D23/205**; D8/373

(58) **Field of Classification Search**
USPC D8/16, 19, 349, 354, 355, 363, 364, 366, D8/370-373, 376, 380, 382, 384-386, D8/400, 499; D6/553, 550, 323; D23/223, 238, 252, 257, 202, 205, 206; D11/208; D20/15, 41, 42; D12/416; D25/38.1, 39, 43; D3/210, 228; D13/133, 146-148, 154, 184, 199; D32/29, 30, 53, 53.1, 54; D30/121, 124, D30/128, 133; D21/526
CPC ... E02F 3/962; E02F 3/34; E02F 3/342; E02F 3/345; E02F 3/3486; E02F 3/3604; E02F 3/40; A01K 97/05; A01K 97/06; E01H 5/12; E01H 1/045; A01D 87/0061; A01D 87/127; E04G 21/025; E04G 21/04; F16M 13/02

See application file for complete search history.

(56) **References Cited**

U.S. PATENT DOCUMENTS

D42,567 S *	5/1912	Stockstrom	D23/205
D88,497 S *	12/1932	Berry	D23/205
D222,252 S *	10/1971	Coleman et al.	D23/205
D222,253 S *	10/1971	Coleman et al.	D23/205
D226,481 S *	3/1973	Coleman et al.	D23/205
7,967,264 B1 *	6/2011	Peterson	E06C 7/143 182/115
D761,379 S *	7/2016	Hart	D23/202
2007/0228237 A1 *	10/2007	Pochurek	E06C 7/143 248/210

* cited by examiner

Primary Examiner — Robert M Spear
Assistant Examiner — Eliza Bennett-Hattan

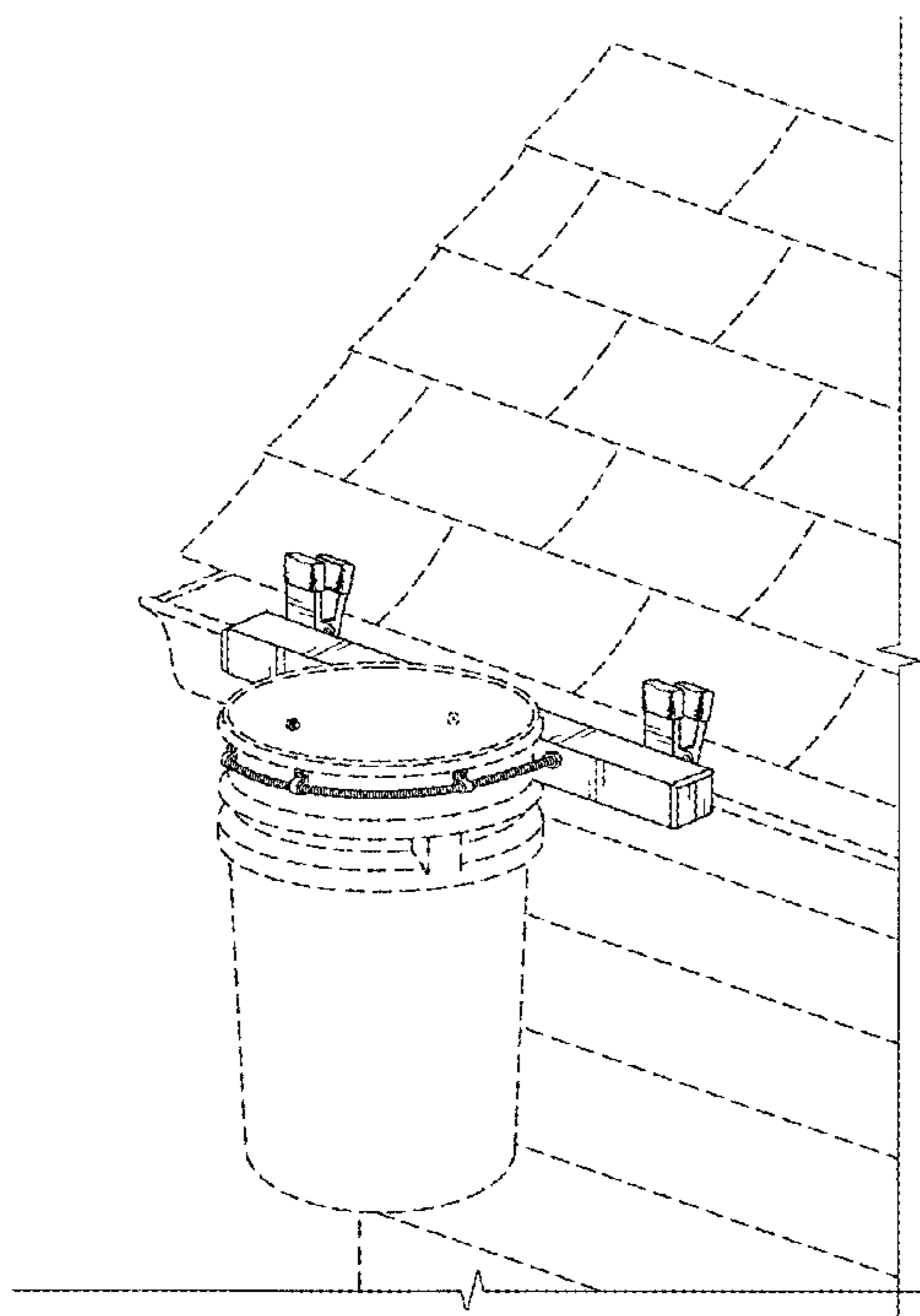
(57) **CLAIM**

The ornamental design for a support bracket for a gutter mounted bucket, as shown.

DESCRIPTION

FIG. 1 is a perspective view of a support bracket for a gutter mounted bucket according to the present application. FIG. 2 is a bottom view of the support bracket of FIG. 1. FIG. 3 is a top view of the support bracket of FIG. 1. FIG. 4 is a right view of the support bracket of FIG. 1. FIG. 5 is a left view of the support bracket of FIG. 1. FIG. 6 is a back view of the support bracket of FIG. 1; and, FIG. 7 is a front view of the support bracket of FIG. 1. The broken lines are included for the purpose of illustrating environmental structure and form no part of the claimed design.

1 Claim, 7 Drawing Sheets



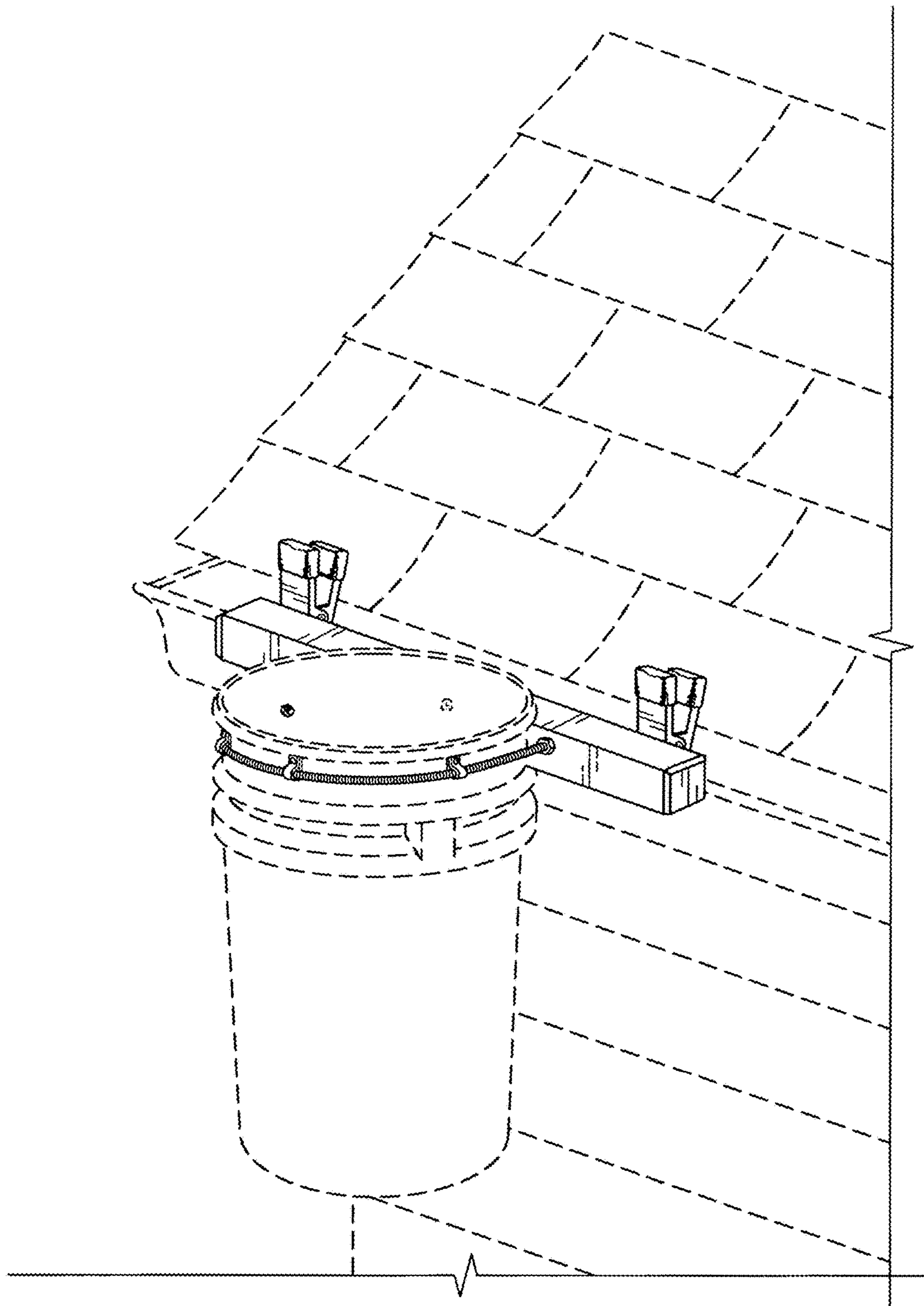


FIG. 1

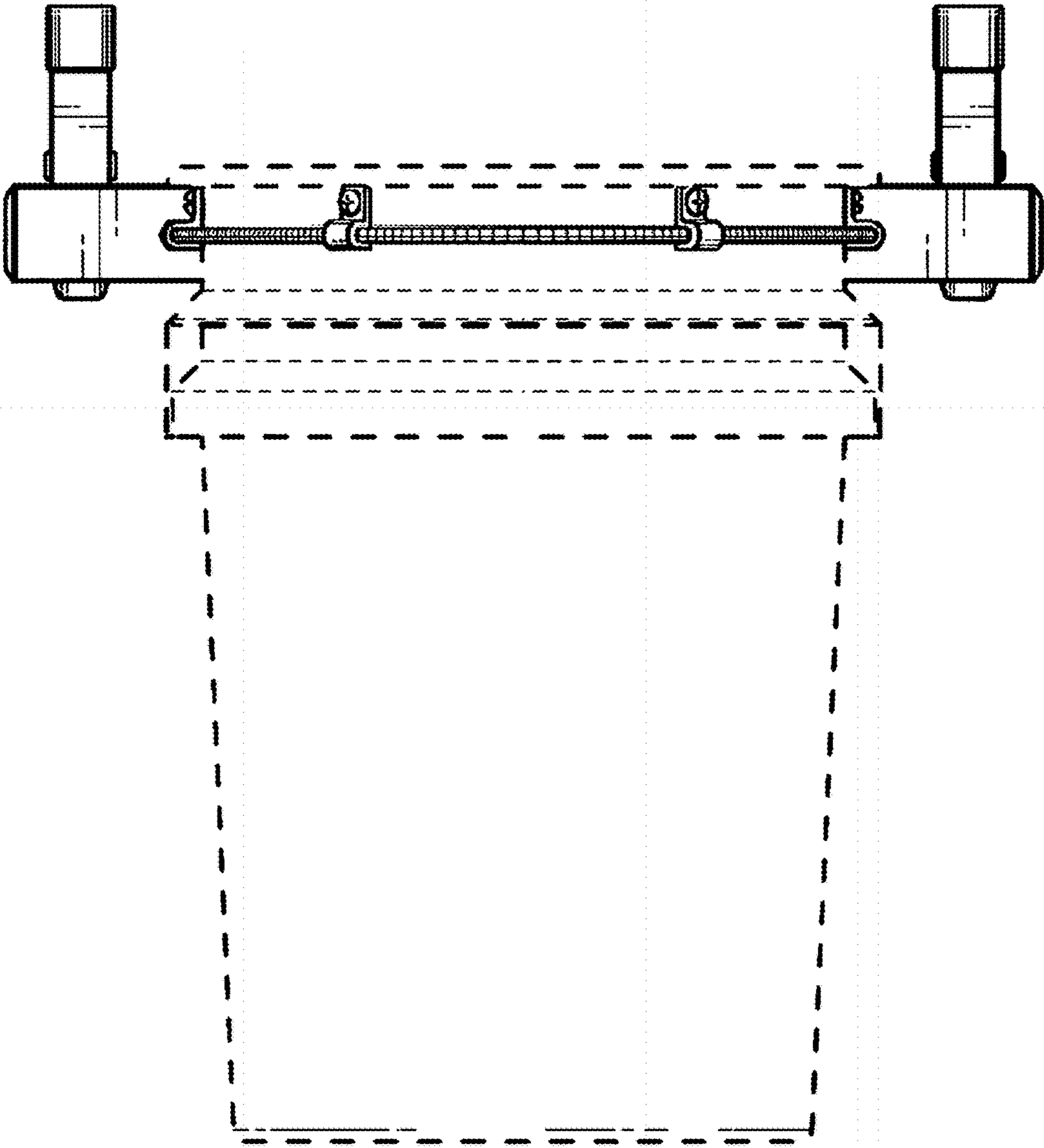


FIG. 2

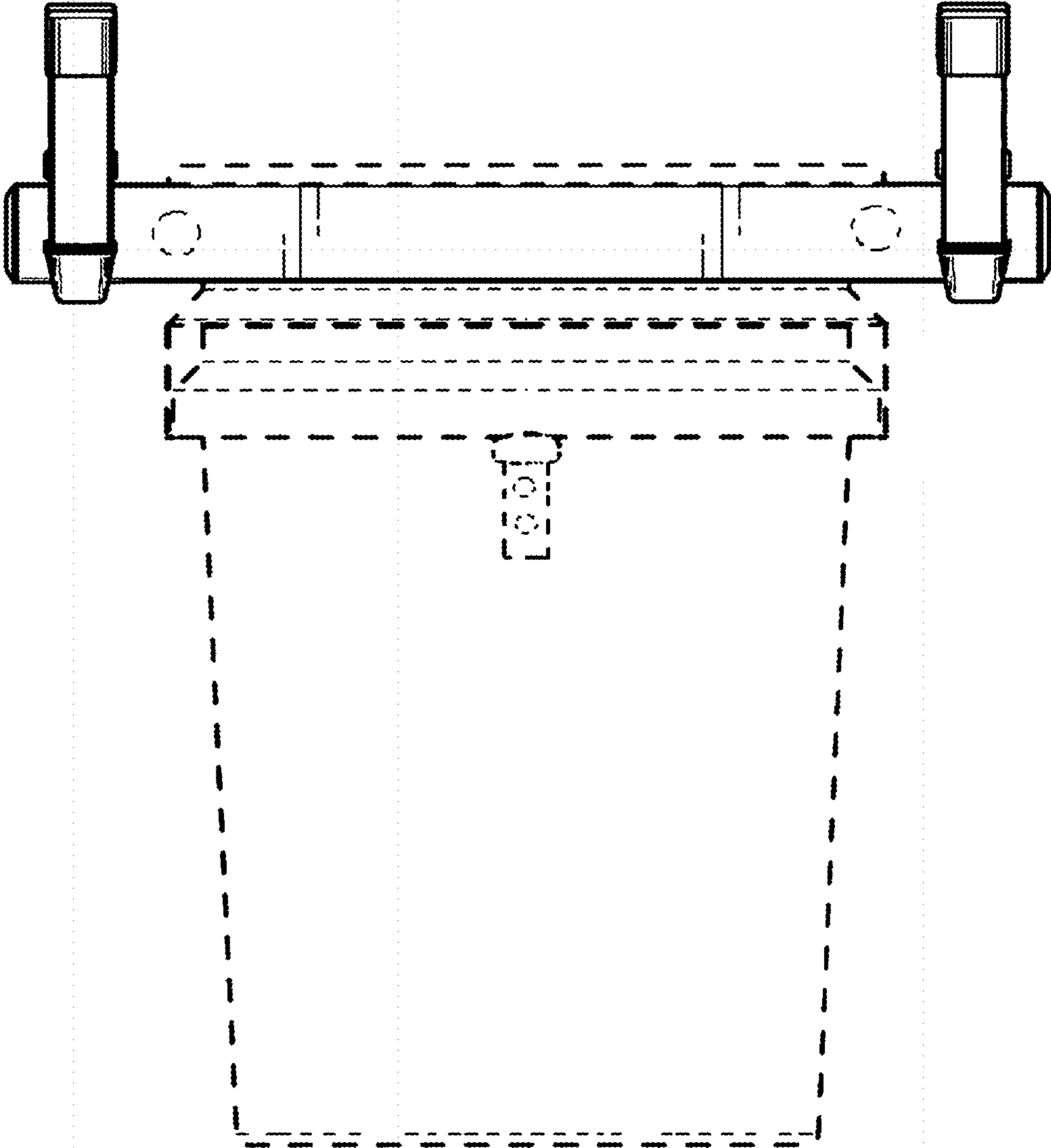


FIG. 3

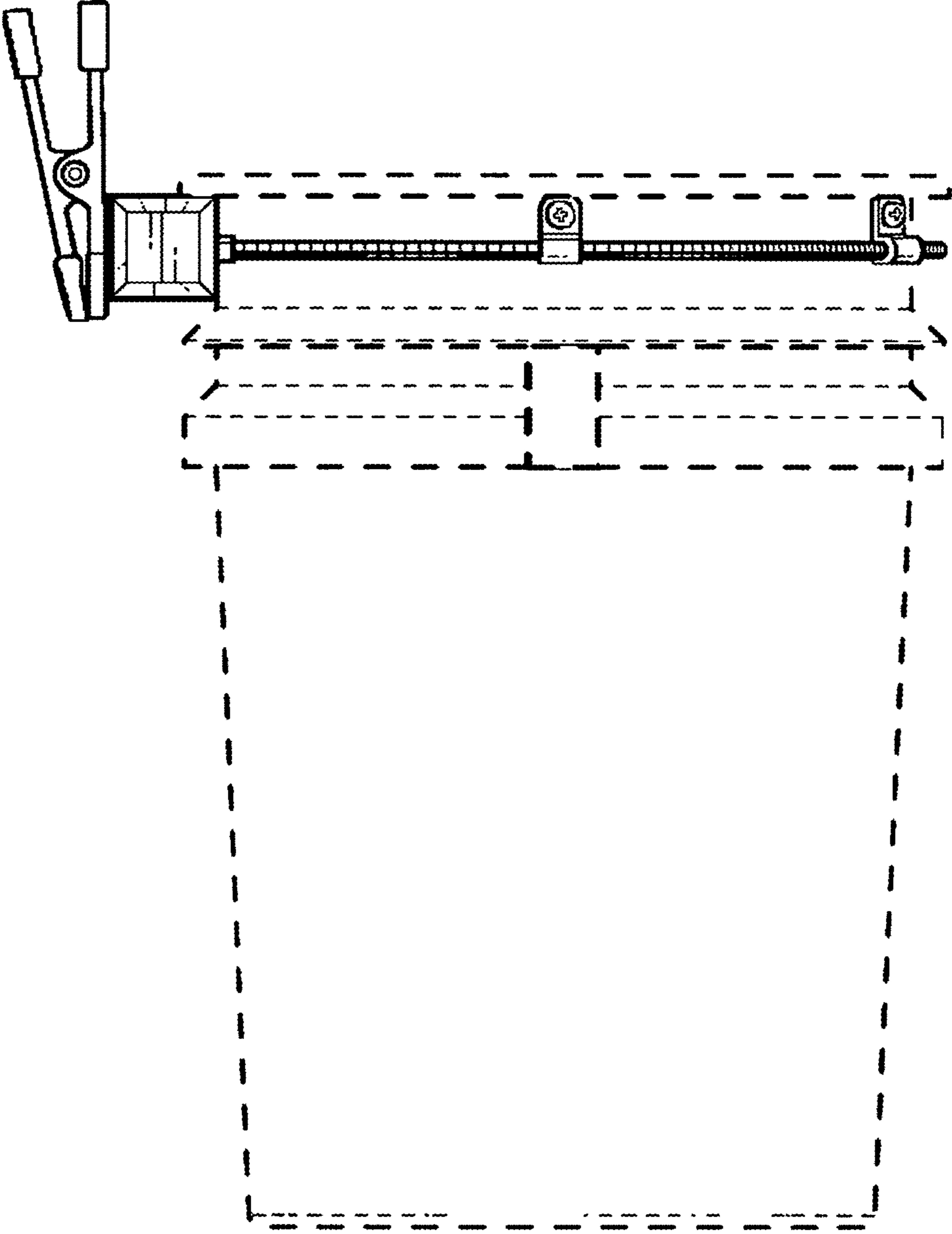


FIG. 4

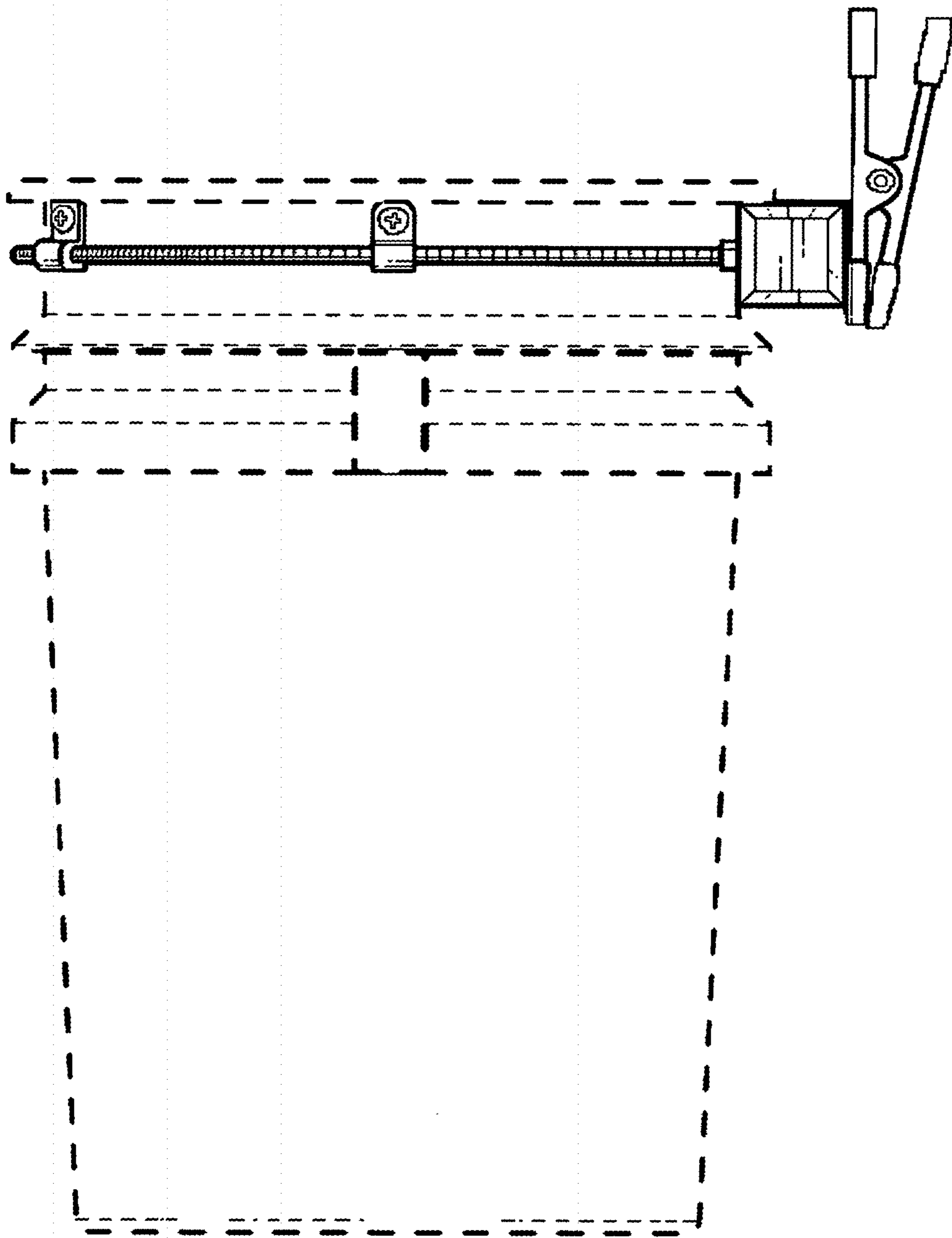


FIG. 5

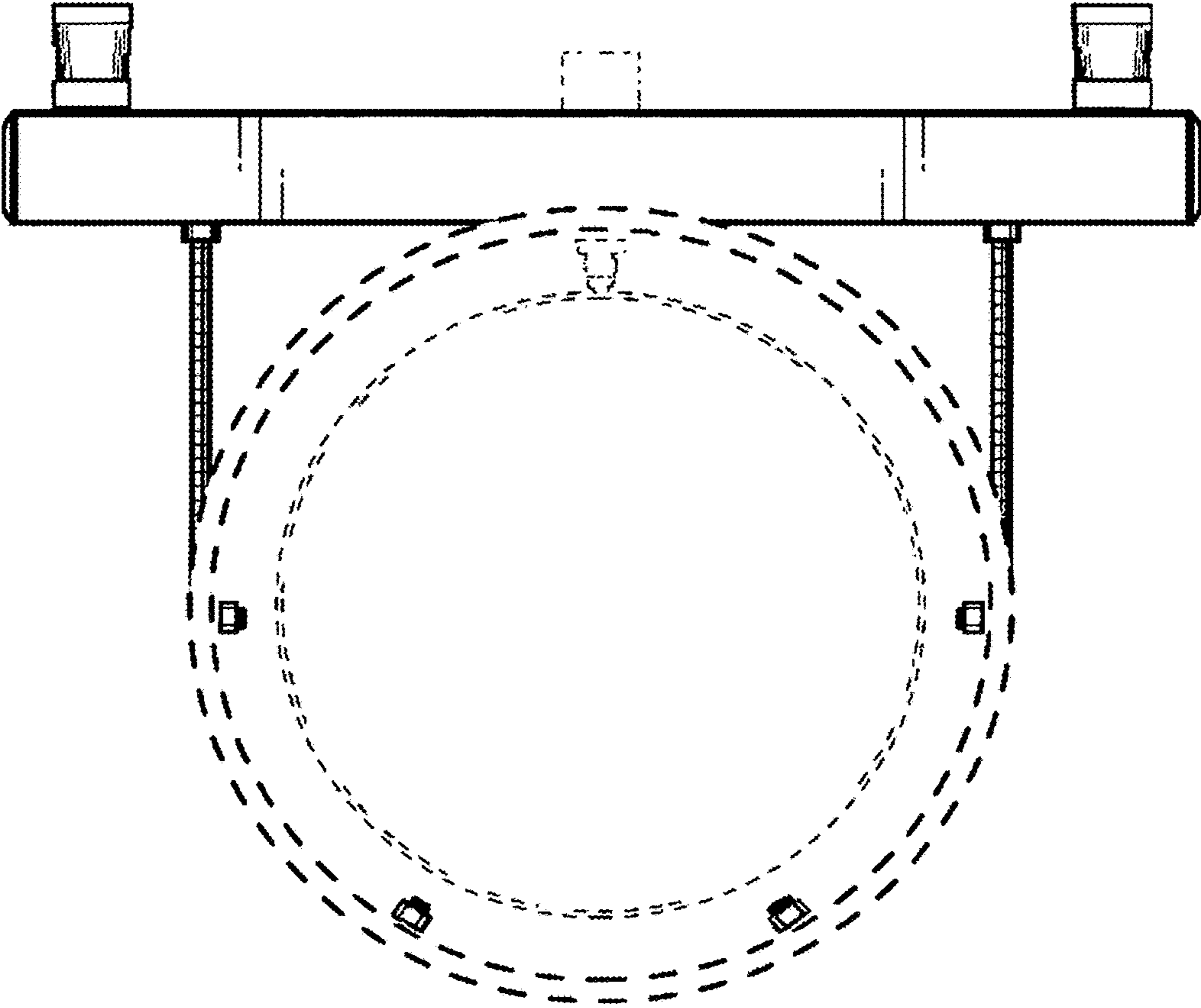


FIG. 6

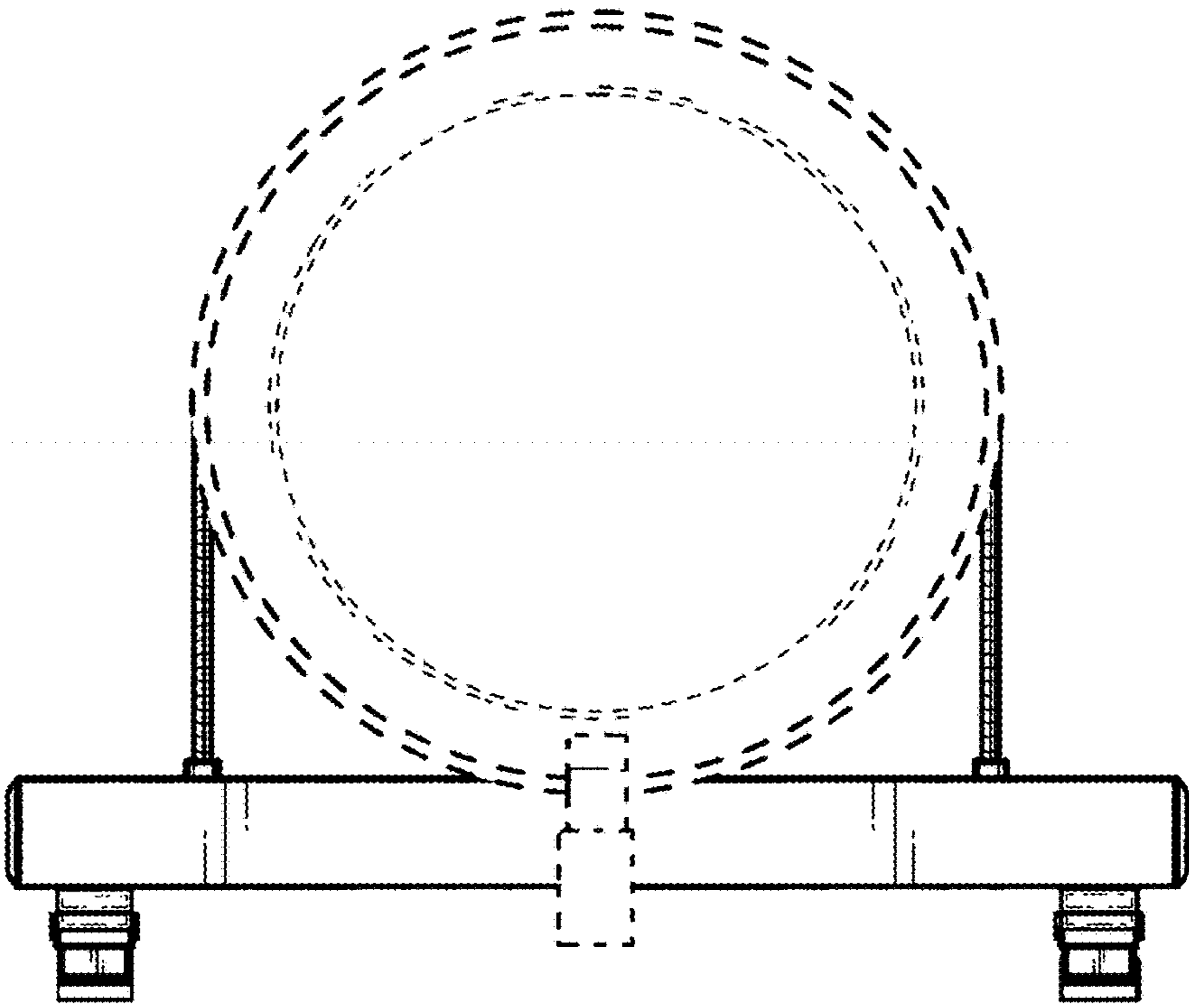


FIG. 7