



US00D798992S

(12) **United States Design Patent** (10) **Patent No.:** **US D798,992 S**  
**Rowsey** (45) **Date of Patent:** **\*\* \*Oct. 3, 2017**

(54) **STEALTH IV MOLDED TANK ASSEMBLY**

(71) Applicant: **Bryan Rowsey**, Keller, TX (US)

(72) Inventor: **Bryan Rowsey**, Keller, TX (US)

(\*) Notice: This patent is subject to a terminal disclaimer.

(\*\*) Term: **14 Years**

(21) Appl. No.: **29/511,338**

(22) Filed: **Dec. 10, 2014**

**Related U.S. Application Data**

(62) Division of application No. 29/440,745, filed on Dec. 27, 2012, now Pat. No. Des. 720,037.

(51) **LOC (10) Cl.** ..... **23-01**

(52) **U.S. Cl.**  
USPC ..... **D23/202**

(58) **Field of Classification Search**  
USPC ..... D23/202-206, 225; 220/367.1, 565, 582  
See application file for complete search history.

(56) **References Cited**

**U.S. PATENT DOCUMENTS**

D195,977 S *	8/1963	Halaby .....	D23/225
5,251,473 A *	10/1993	Reese .....	73/49.2
5,346,093 A *	9/1994	De Benedittis et al. ....	220/565
D629,864 S *	12/2010	Stack .....	D23/202

\* cited by examiner

*Primary Examiner* — Robin V Webster

(74) *Attorney, Agent, or Firm* — Warren V. Norred

(57) **CLAIM**

I claim the ornamental design for a stealth IV molded tank assembly, as shown and described.

**DESCRIPTION**

FIG. 1 is a perspective view of the stealth IV molded tank assembly showing my new design.

FIG. 2 is a top view thereof.

FIG. 3 is a side view thereof.

FIG. 4 is an end view thereof.

FIG. 5 is a perspective view of the stealth IV molded tank assembly showing my new design.

FIG. 6 is a top view thereof.

FIG. 7 is a side view thereof; and,

FIG. 8 is an end view thereof.

The claimed design covers two sizes of similar polyethylene tank assemblies featuring a cylindrical tank mounted on top of a second tank shaped as a flat rectangular prism, a sight glass mounted on one end of the cylindrical tank, a solar panel mounting pole on the top of the cylindrical tank, and other built-in equipment mounts as shown on the drawings. The two sizes of tank assemblies are patentably indistinct, differing only in the capacity of the top tank, and are therefore obvious variations of each other.

**1 Claim, 8 Drawing Sheets**

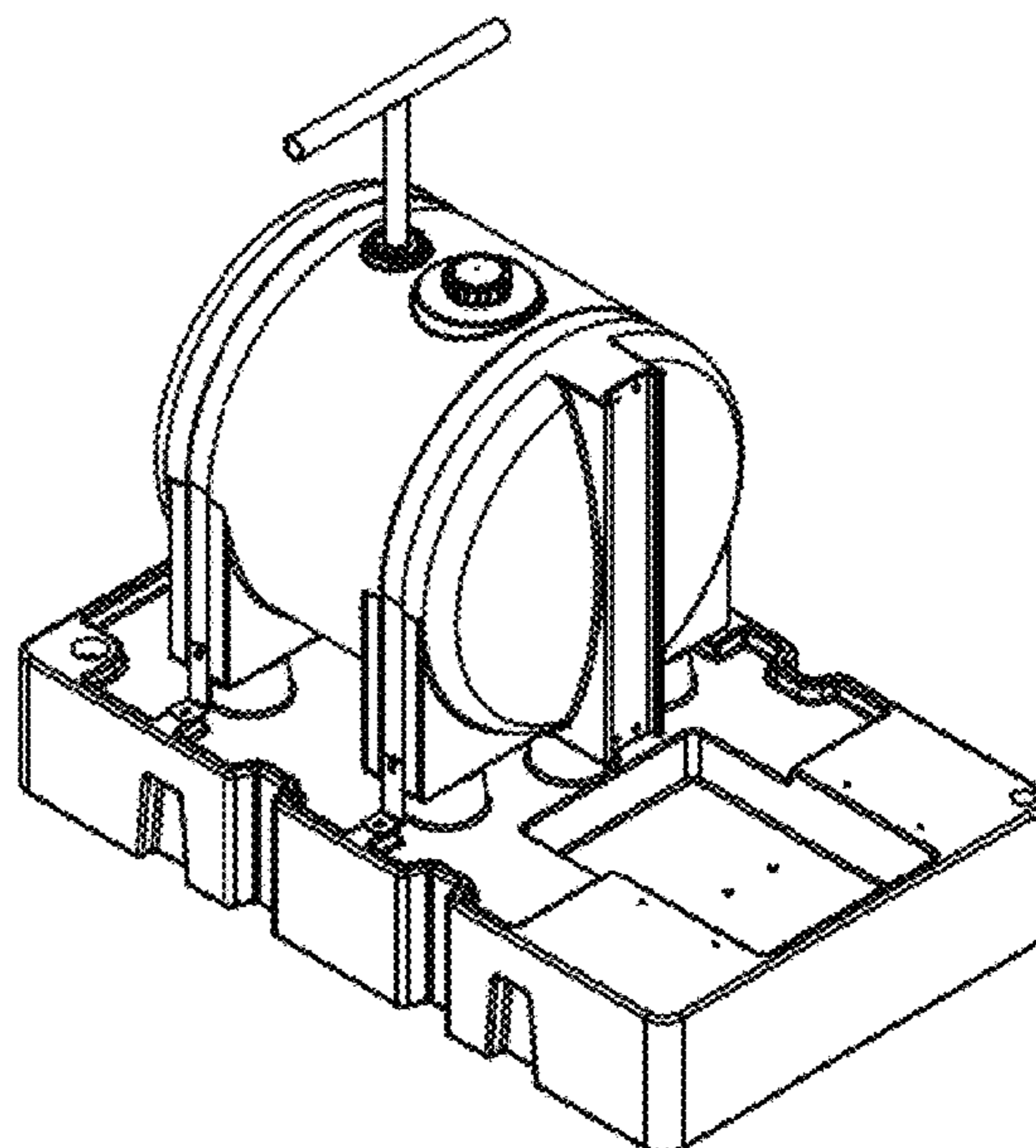
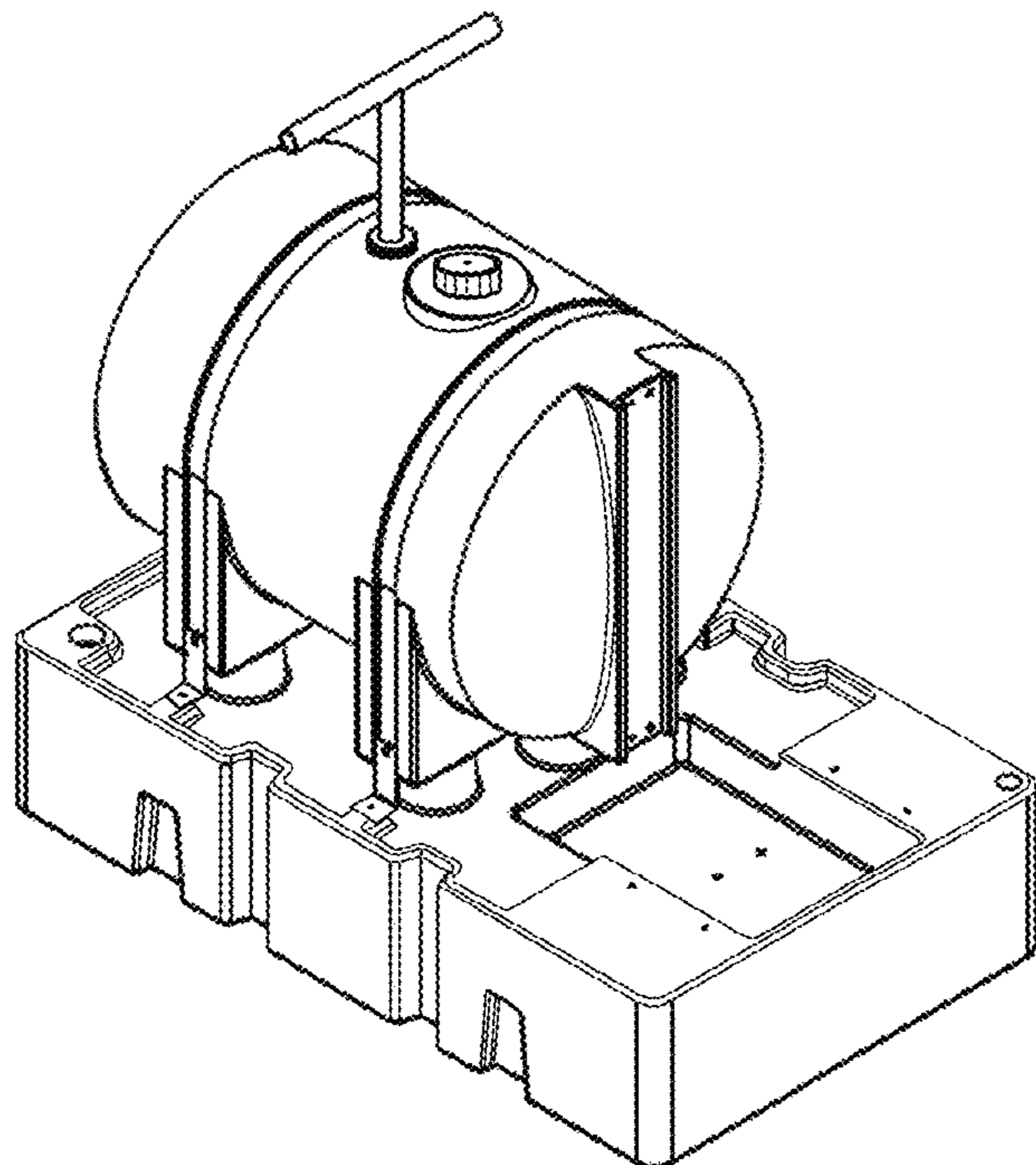


Figure 1

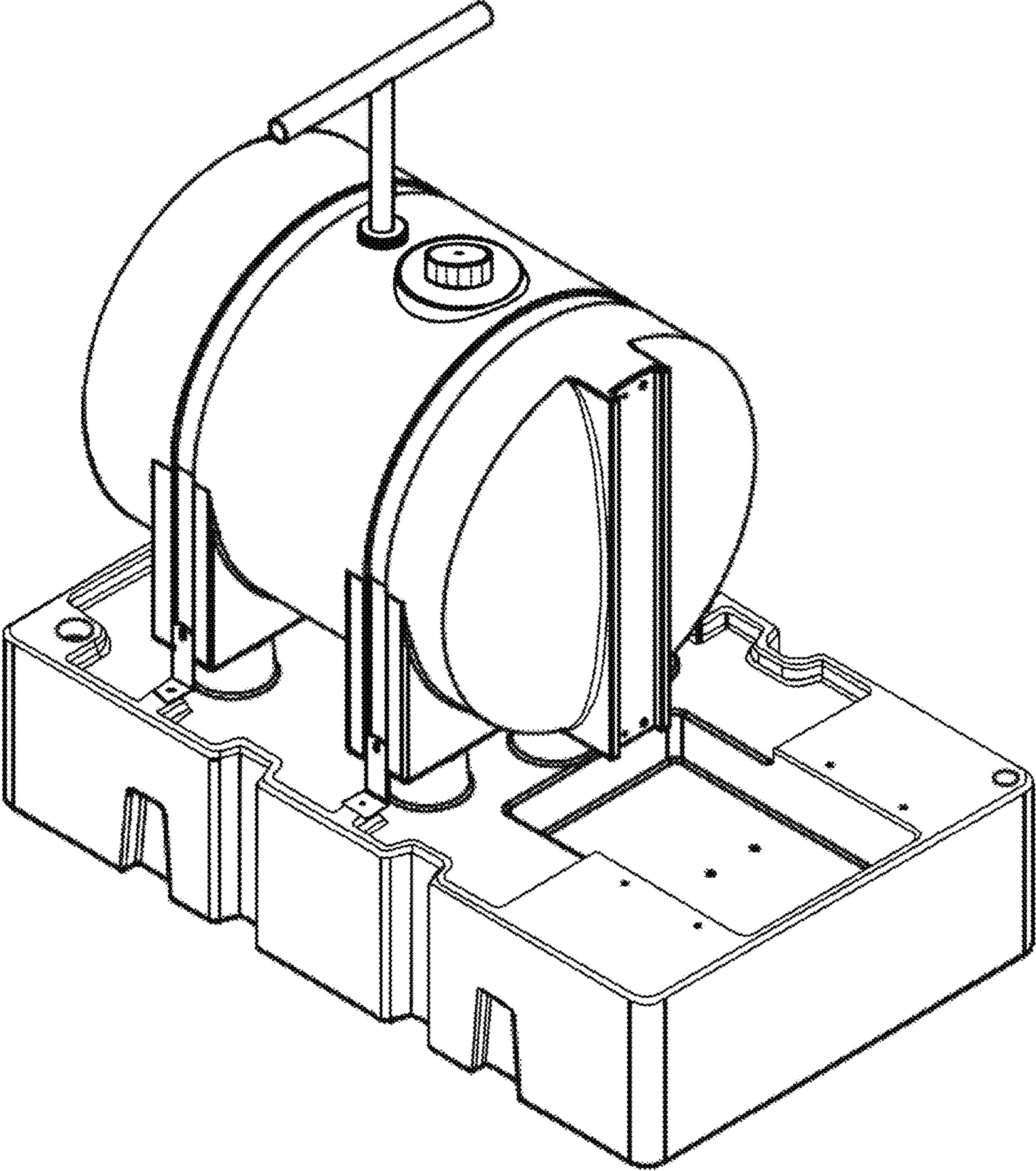




Figure 2

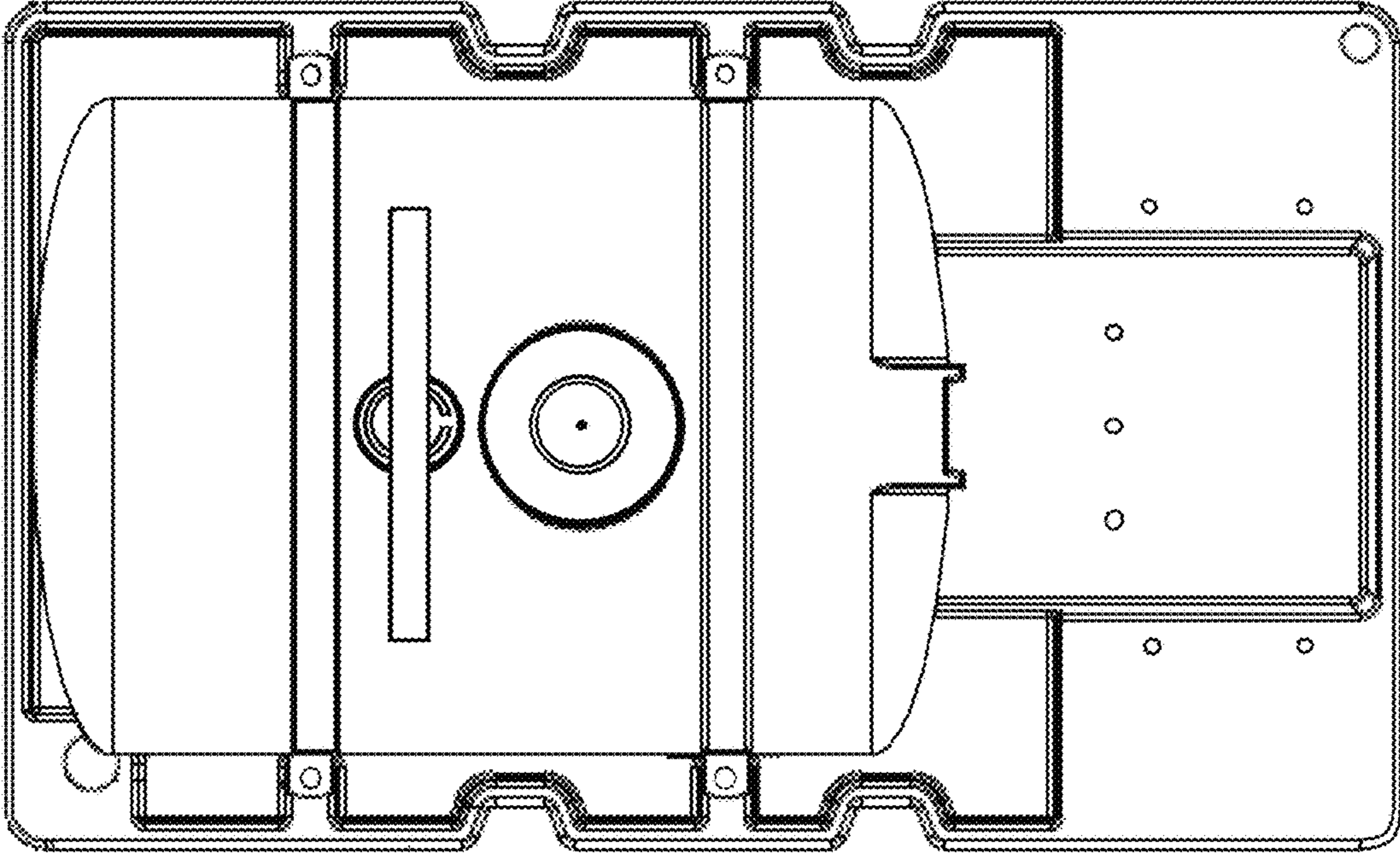


Figure 3

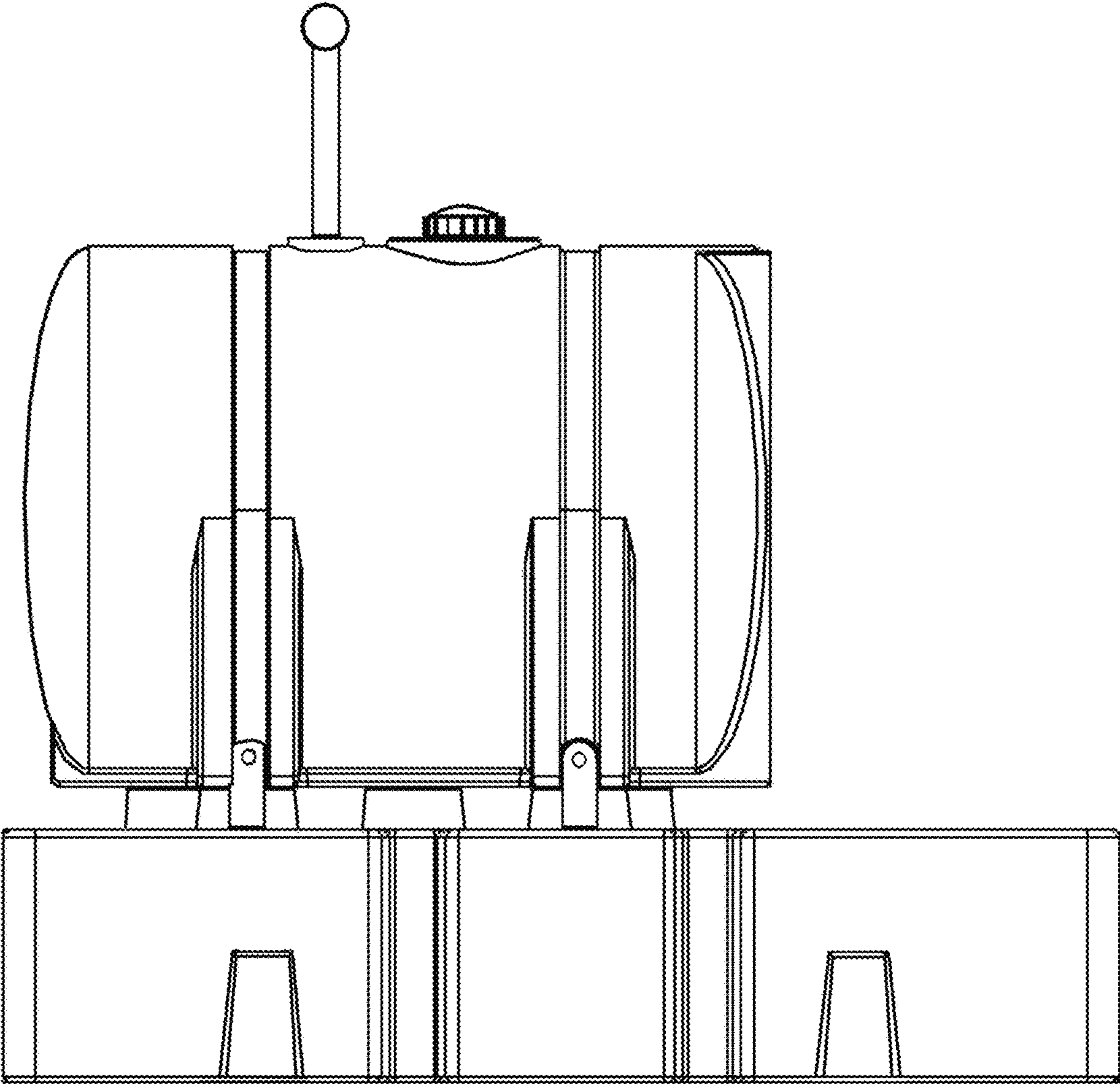


Figure 4

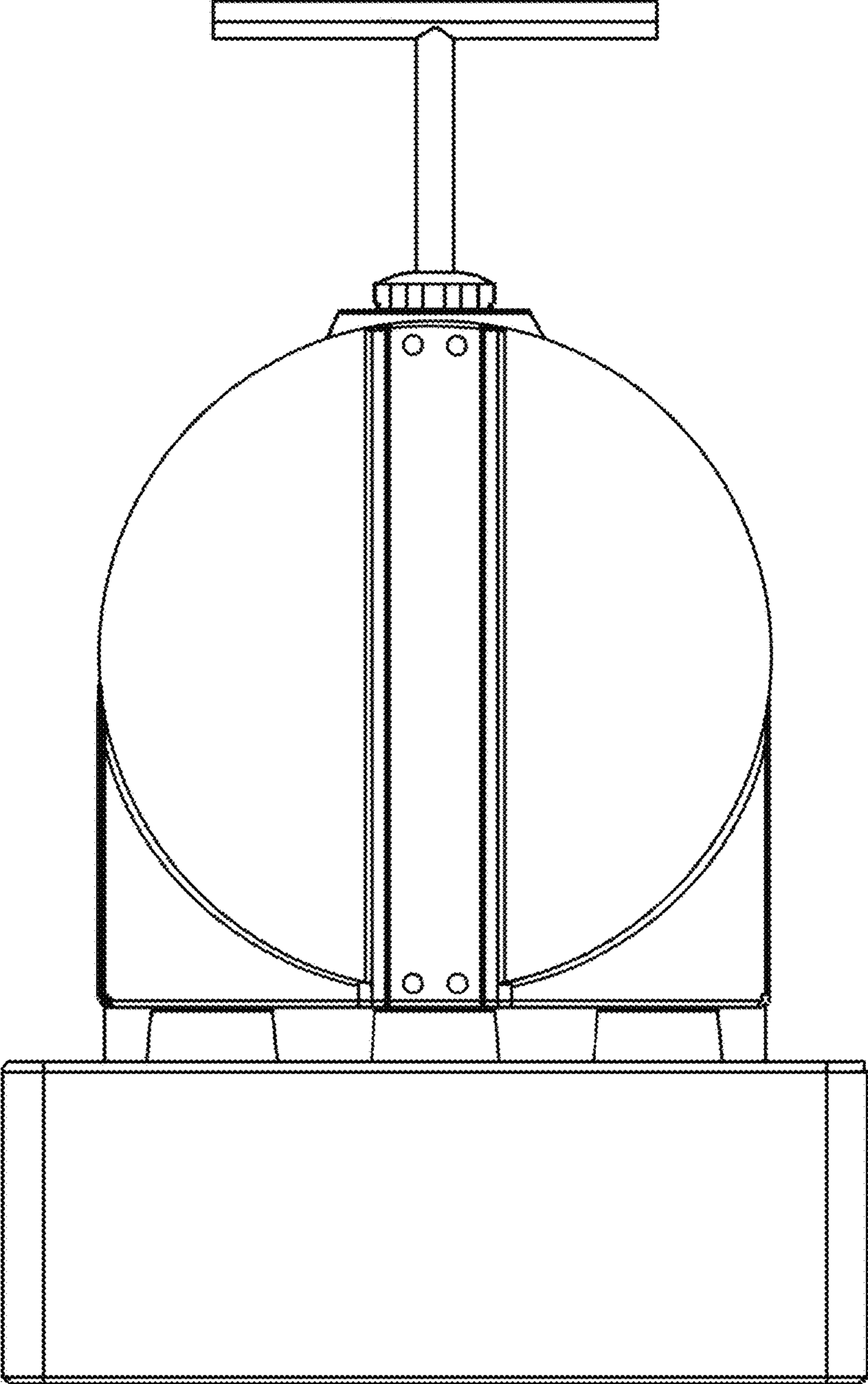


Figure 5

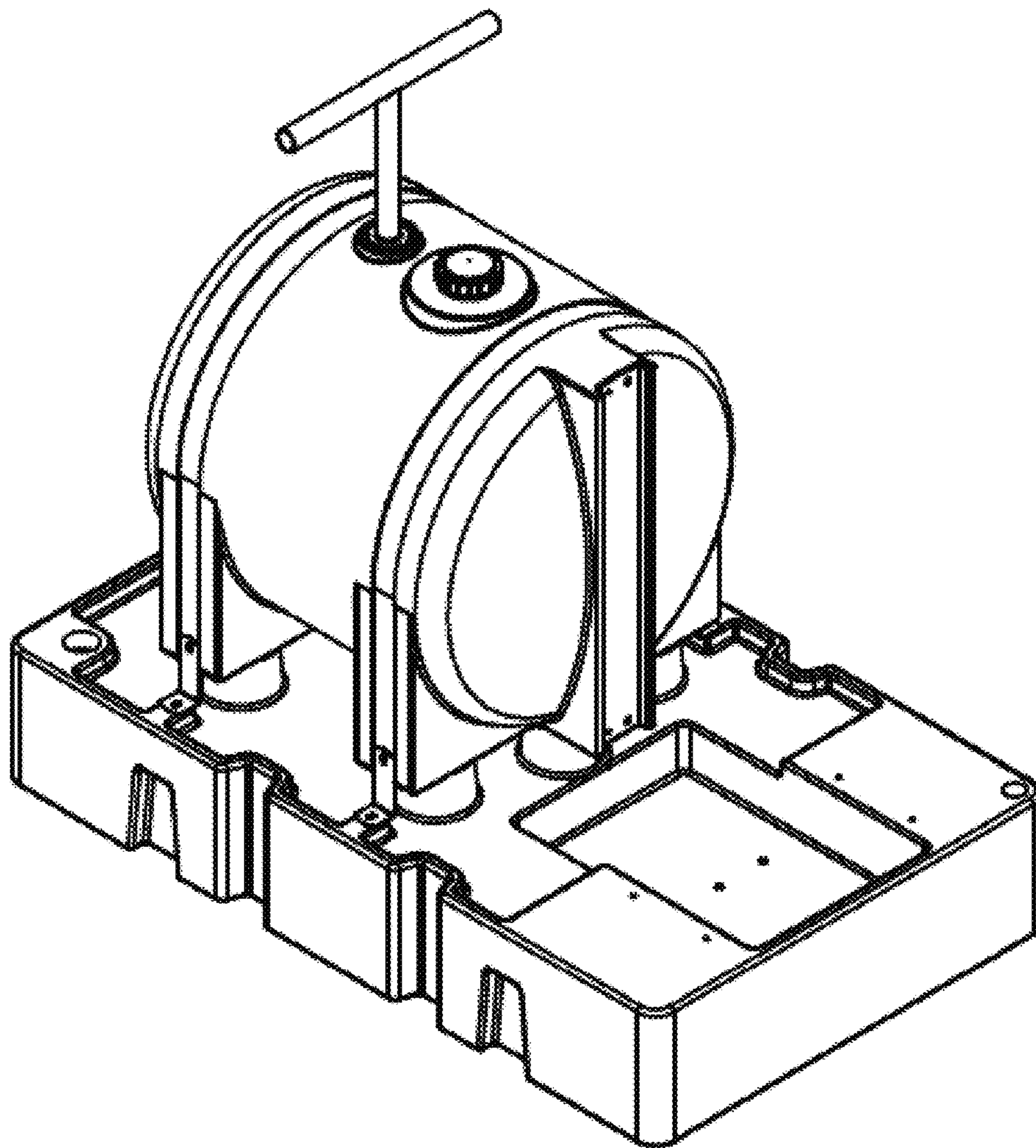




Figure 6

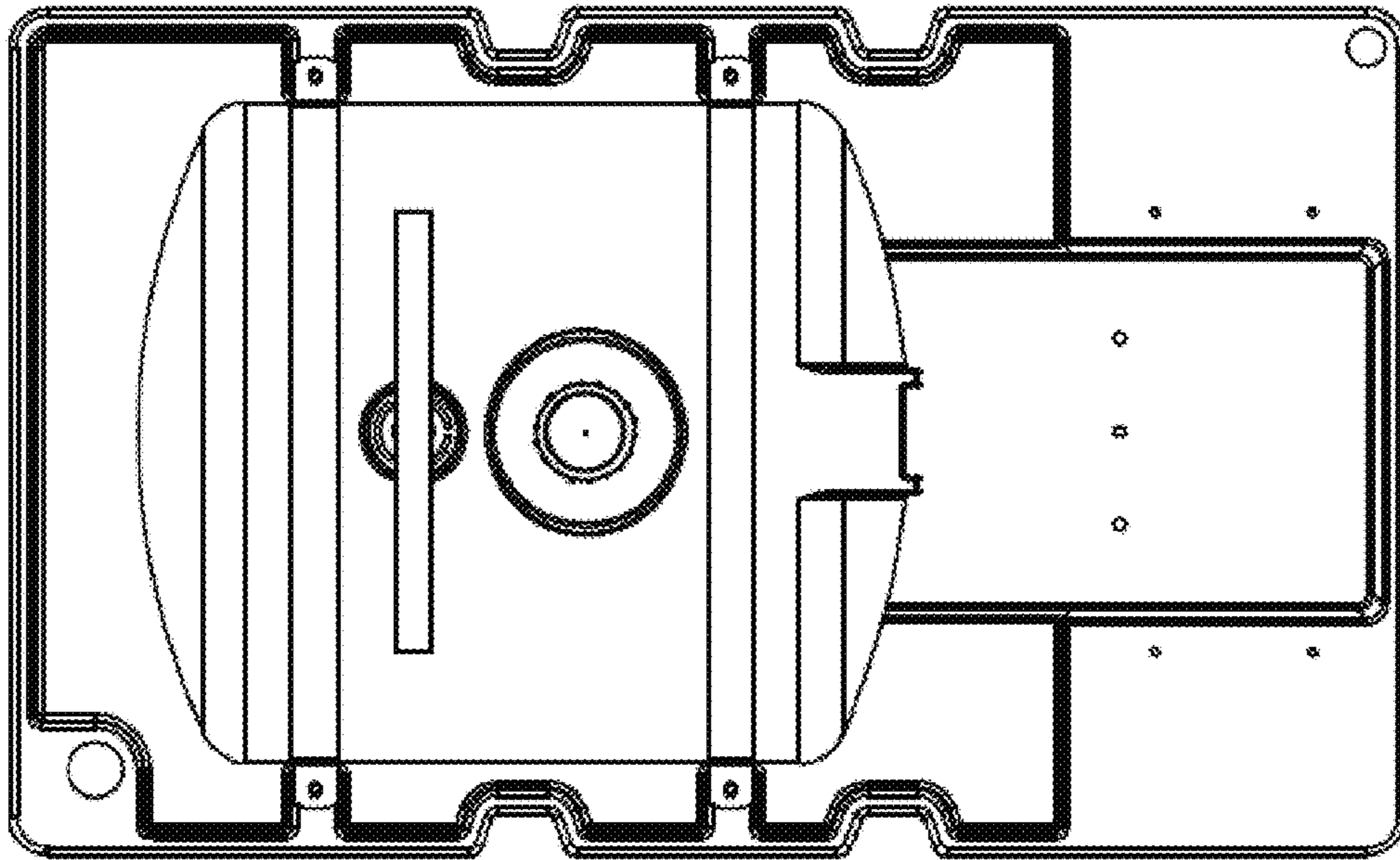


Figure 7

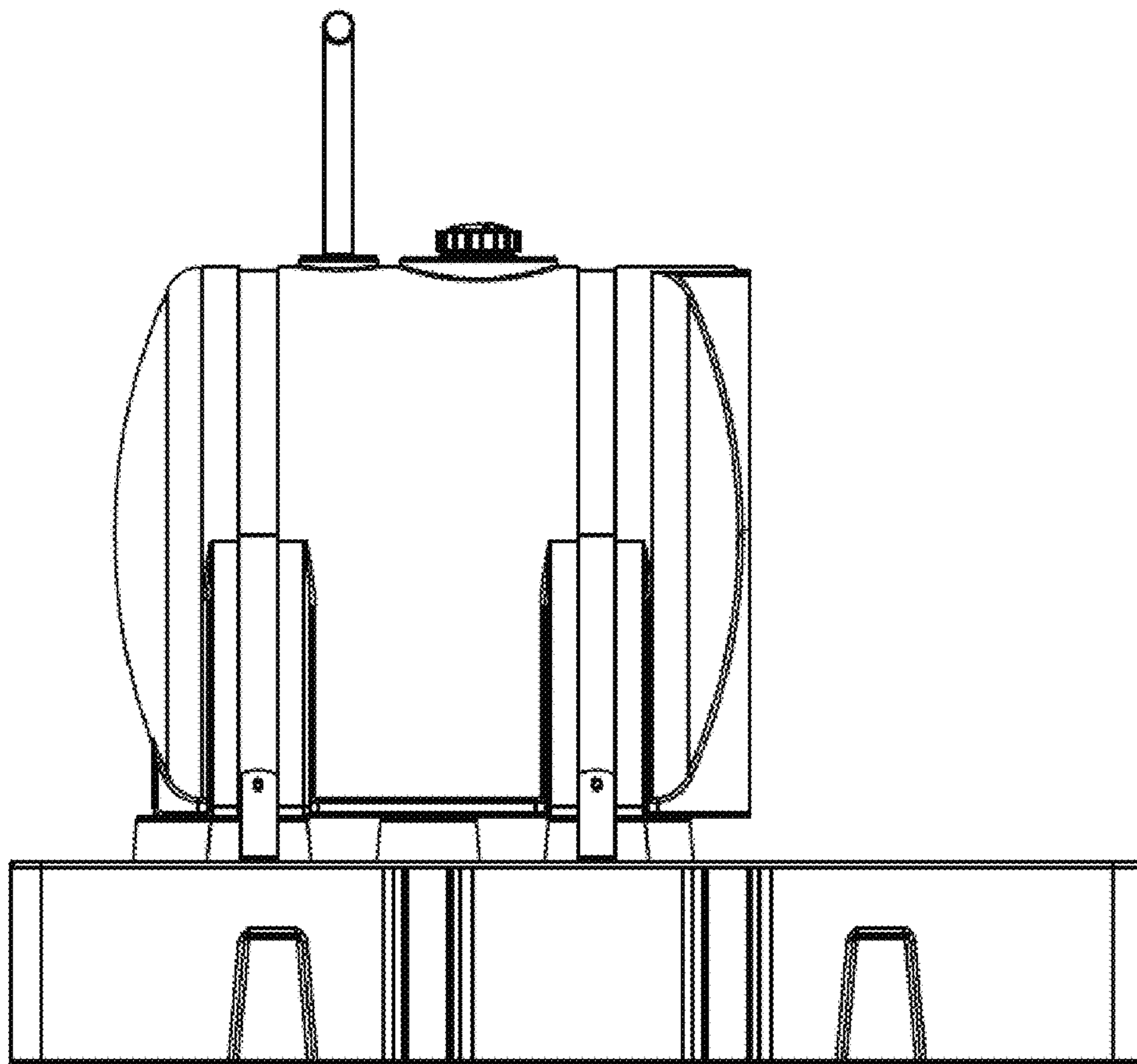




Figure 8

