



US00D798991S

(12) **United States Design Patent**  
**Lopez**

(10) **Patent No.:** **US D798,991 S**

(45) **Date of Patent:** **\*\* Oct. 3, 2017**

(54) **CARRIER FOR A DOWNRIGGER**

D639,380 S \* 6/2011 Smith ..... D22/134

(71) Applicant: **Leonard J. Lopez**, Brentwood, CA  
(US)

\* cited by examiner

(72) Inventor: **Leonard J. Lopez**, Brentwood, CA  
(US)

*Primary Examiner* — Catherine R Oliver-Garcia

(74) *Attorney, Agent, or Firm* — R. Michael West

(\*\*) Term: **15 Years**

(57) **CLAIM**

The ornamental design for a carrier for a downrigger, as shown and described.

(21) Appl. No.: **29/560,734**

(22) Filed: **Apr. 8, 2016**

**DESCRIPTION**

(51) **LOC (10) Cl.** ..... **22-05**

(52) **U.S. Cl.**  
USPC ..... **D22/134**

(58) **Field of Classification Search**

USPC ..... D22/134, 199; D34/12-13, 26;  
D12/400, 415; 43/17.1, 17.6, 43.1, 43.12,  
43/44.88, 44.91, 42.31

CPC ..... A01K 83/00; A01K 91/08  
See application file for complete search history.

FIG. 1 is a left front perspective view of a carrier for a downrigger, showing my new design;

FIG. 2 is a rear elevational view, thereof;

FIG. 3 is a side elevational view, thereof, the opposite side elevational view being a mirror image, thereof;

FIG. 4 is a front elevational view, thereof;

FIG. 5 is a top plan view, thereof;

FIG. 6 is a bottom plan view, thereof; and,

FIG. 7 is a perspective view of a carrier for a downrigger in environment, shown with a downrigger affixed thereto.

The broken-line representations of slotted mounting holes in FIGS. 1, 5, and 6 are included solely for illustrative purposes, forming no part of the claimed design. The broken line representations of the boat, fisherman, downrigger and fishing pole in FIG. 7 are included solely for illustrative purposes, forming no part of the claimed design.

(56) **References Cited**

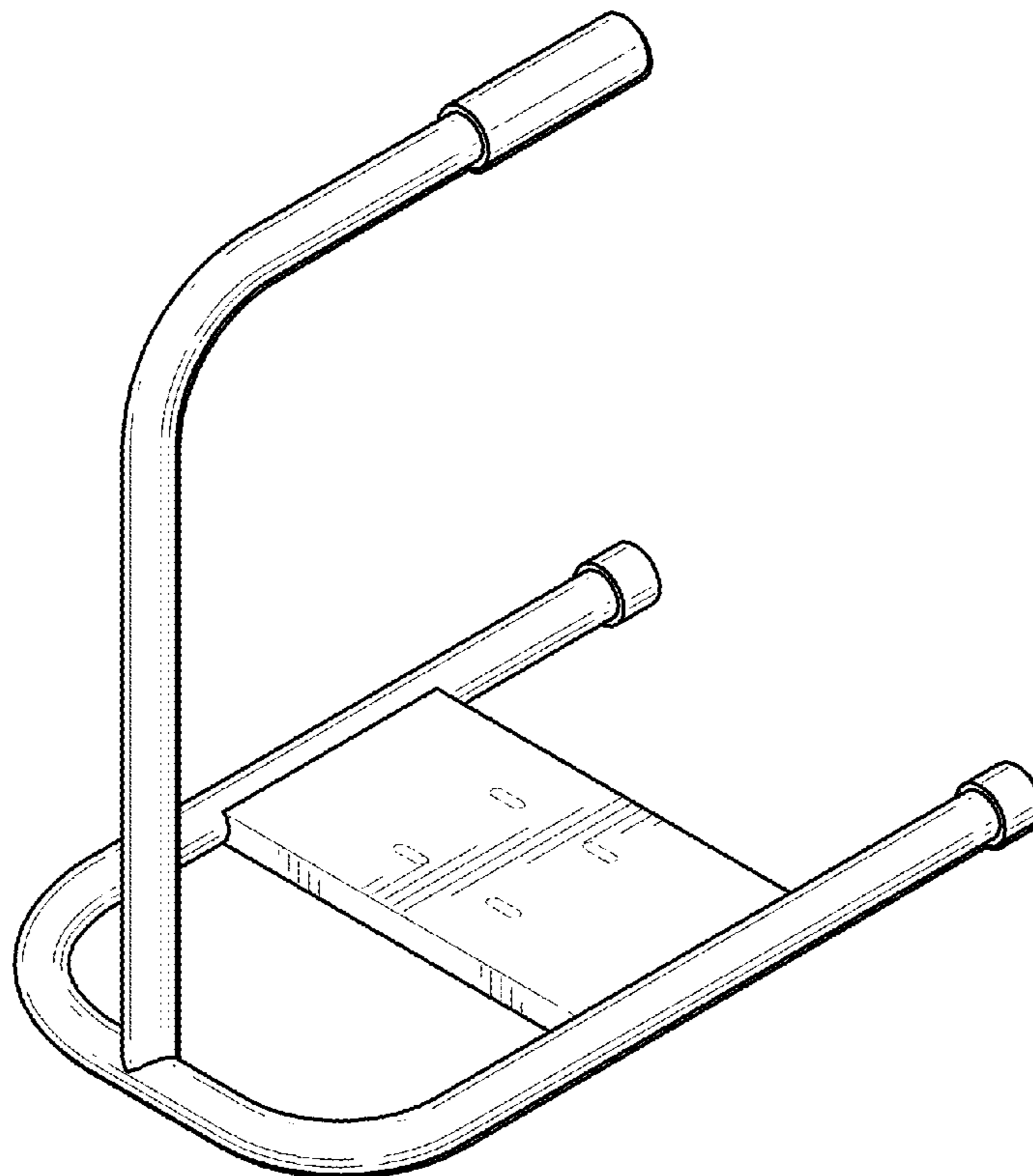
**U.S. PATENT DOCUMENTS**

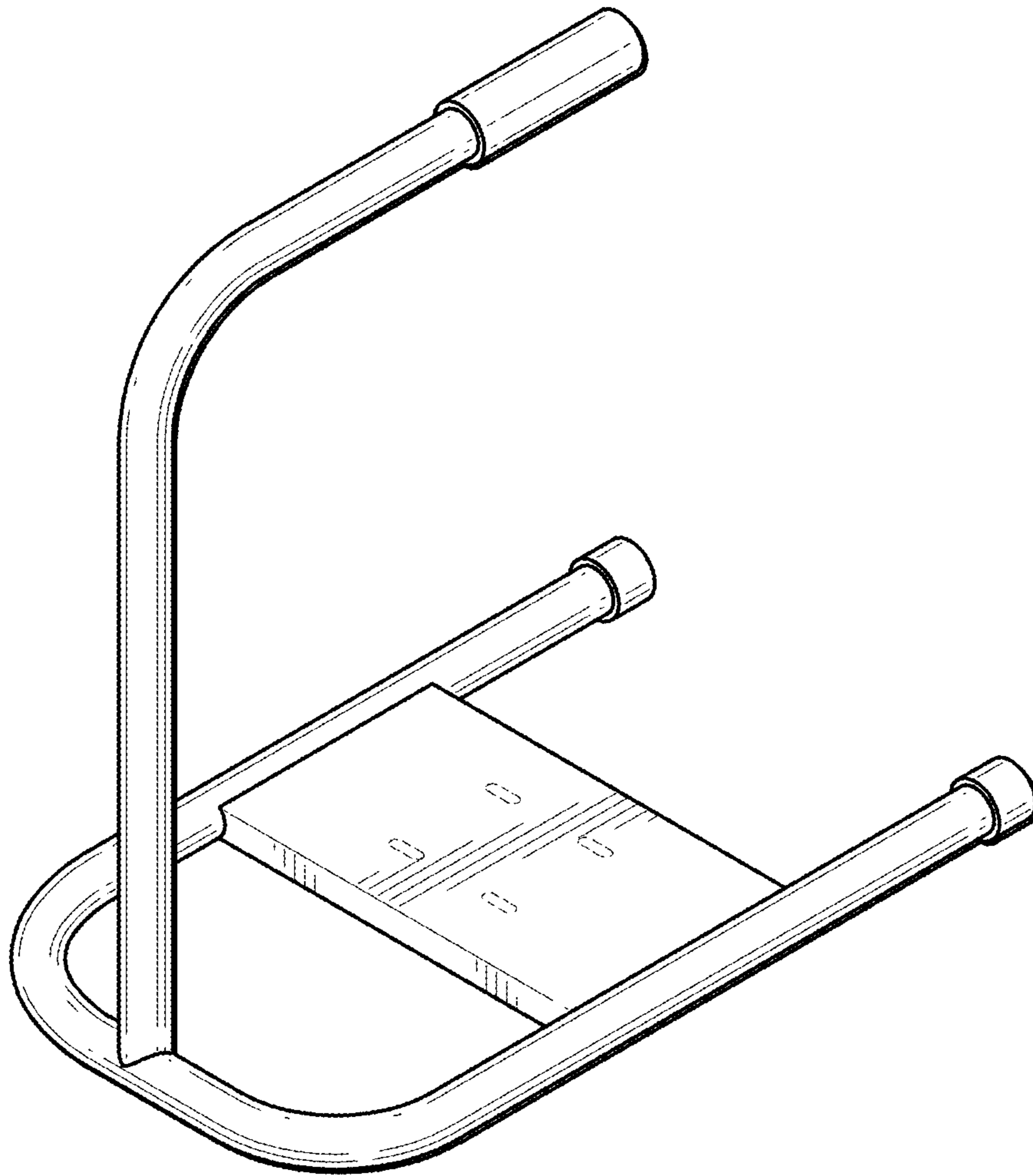
5,867,932 A \* 2/1999 Reiger ..... A01K 91/08  
43/43.1

6,935,069 B1 \* 8/2005 Jensen ..... A01K 91/08  
43/43.12

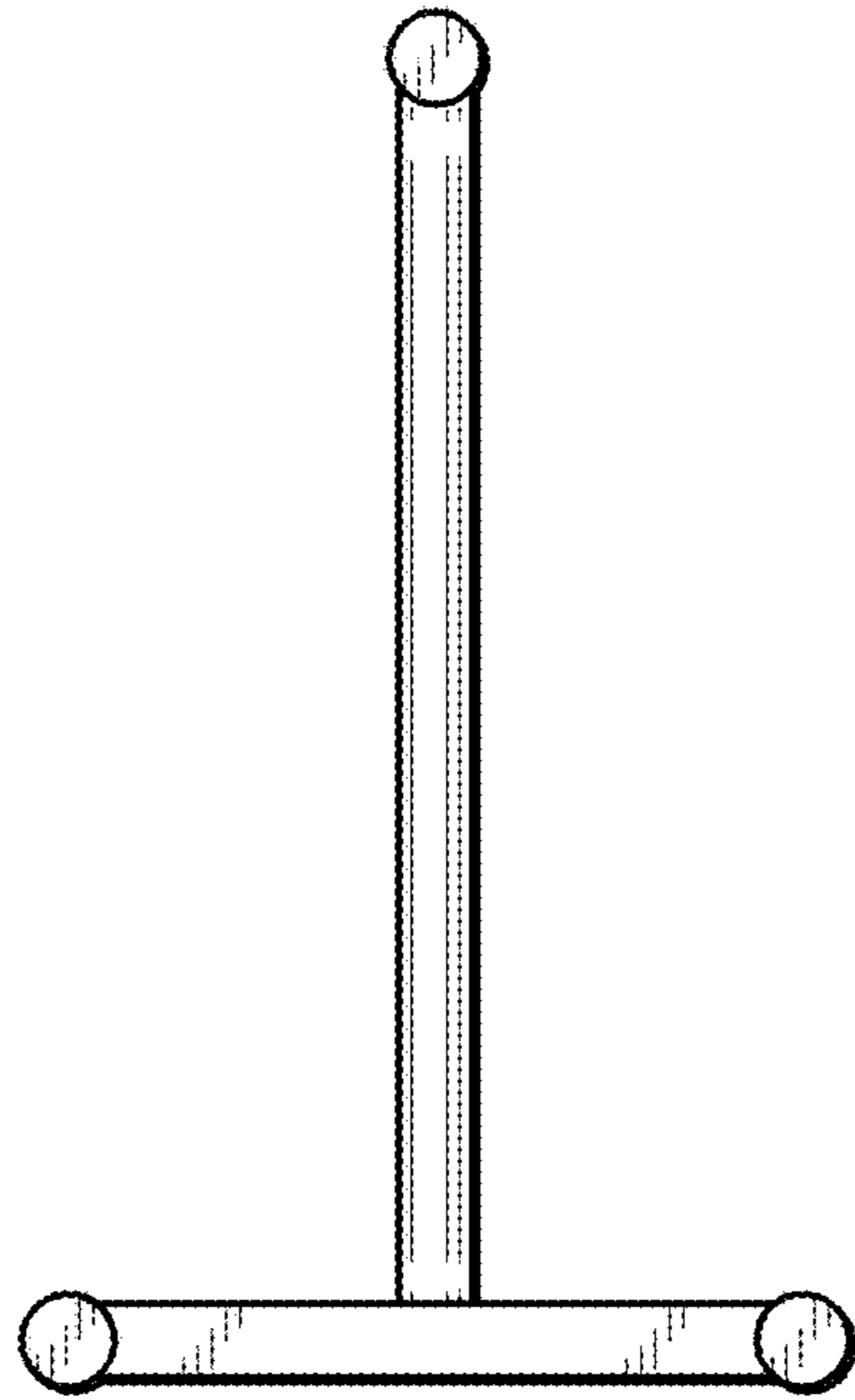
7,137,222 B2 \* 11/2006 Aanenson ..... A01K 91/08  
43/17.1

**1 Claim, 4 Drawing Sheets**

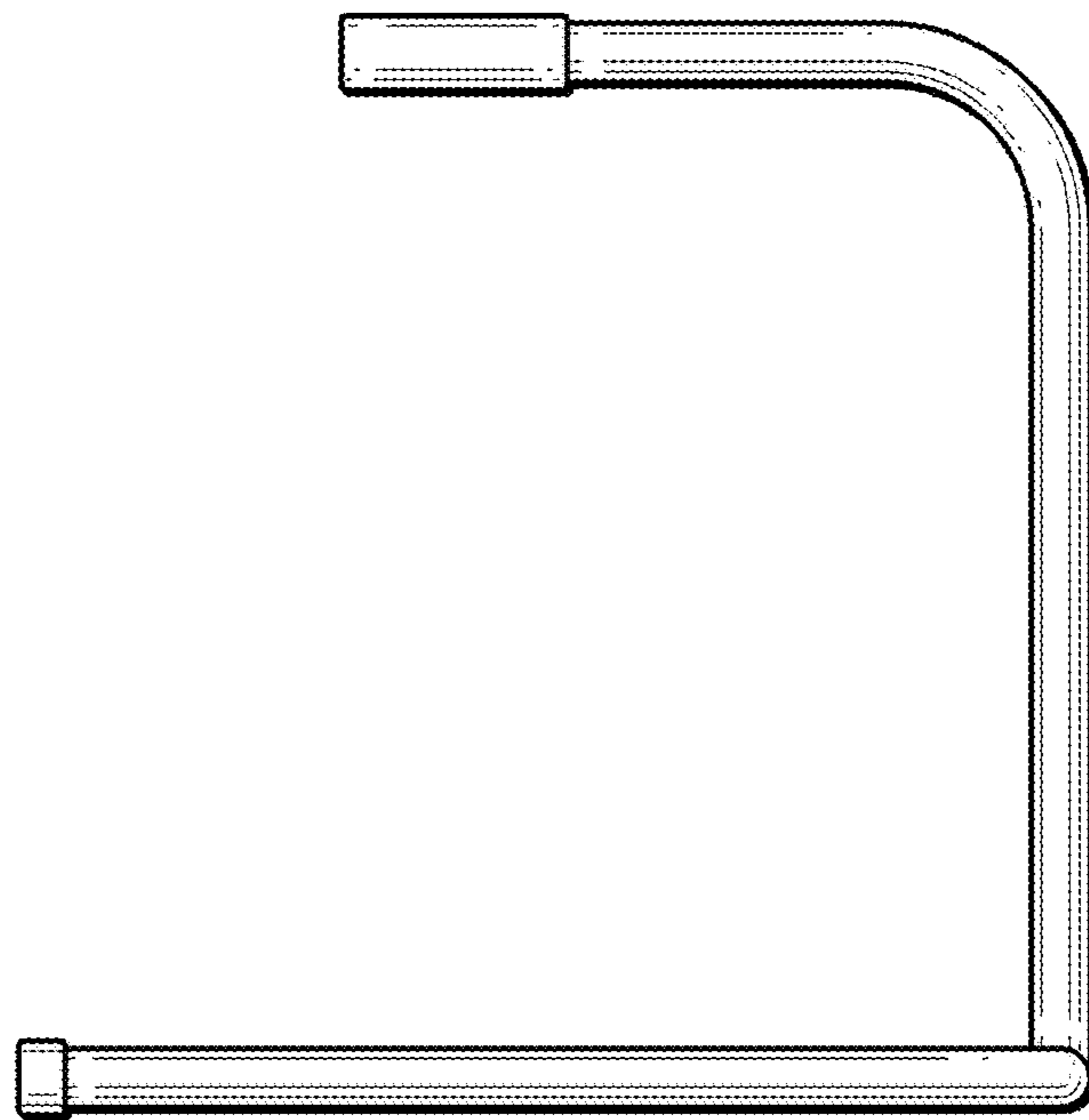




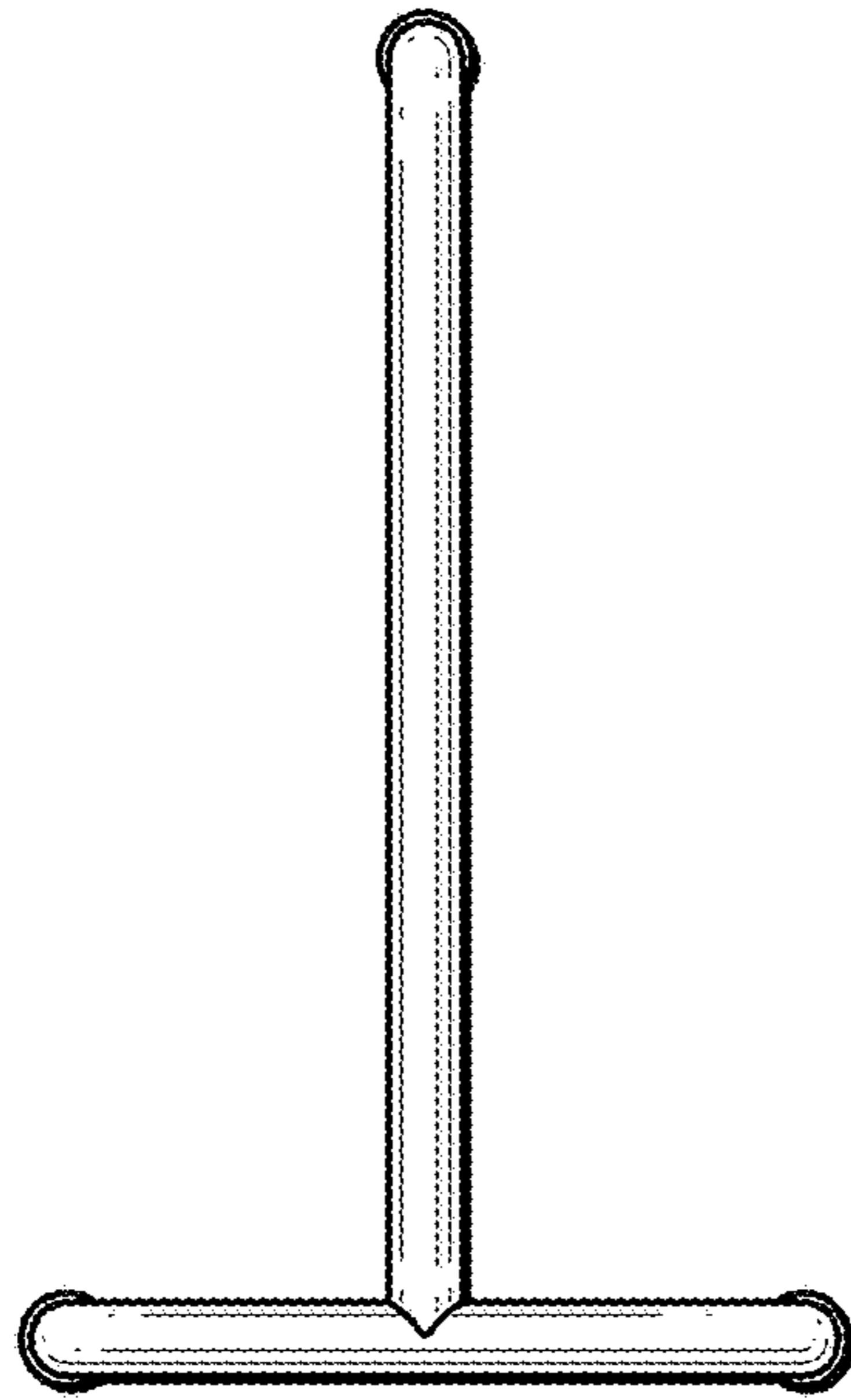
**FIG. 1**



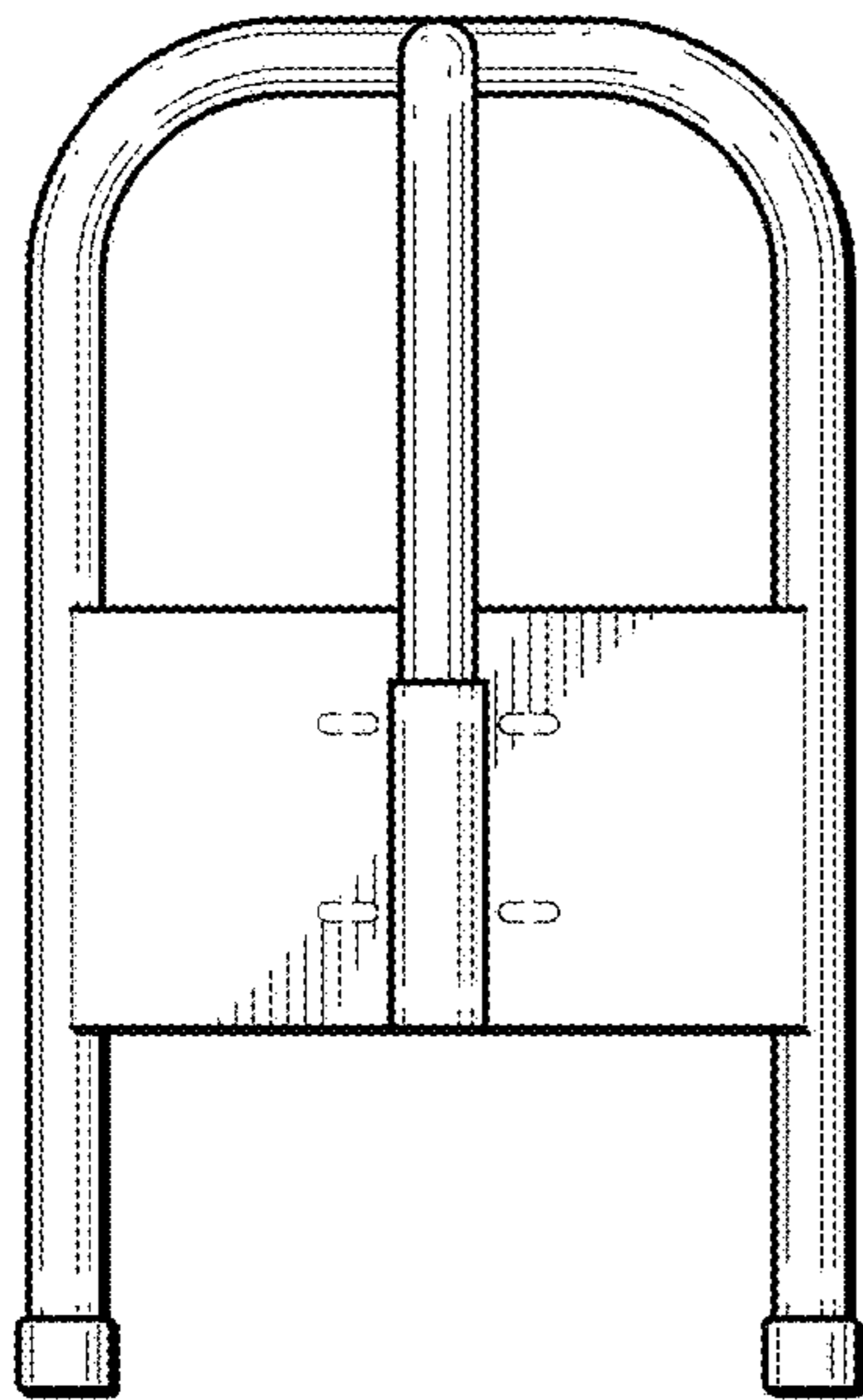
*FIG. 2*



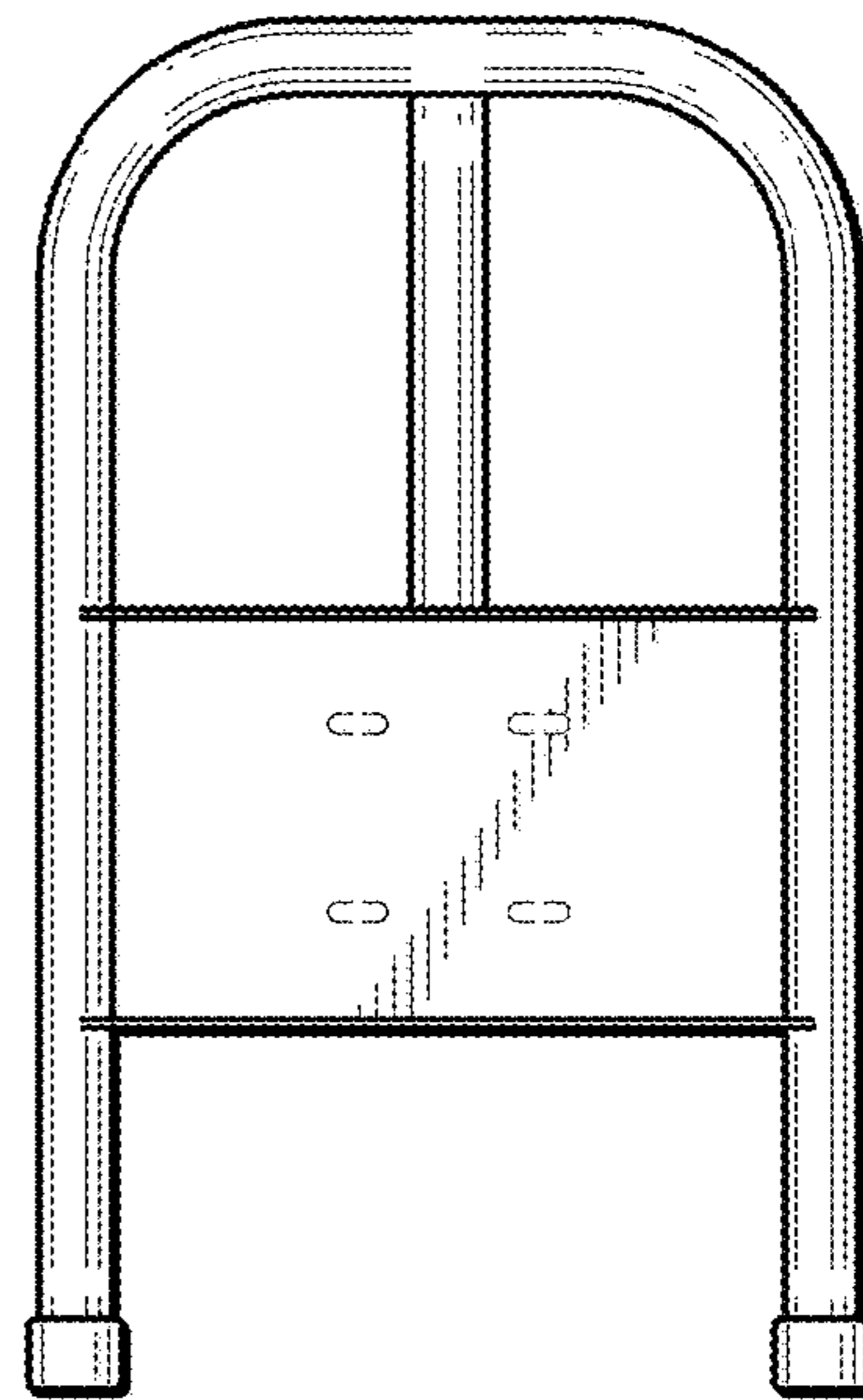
*FIG. 3*



*FIG. 4*



*FIG. 5*



*FIG. 6*

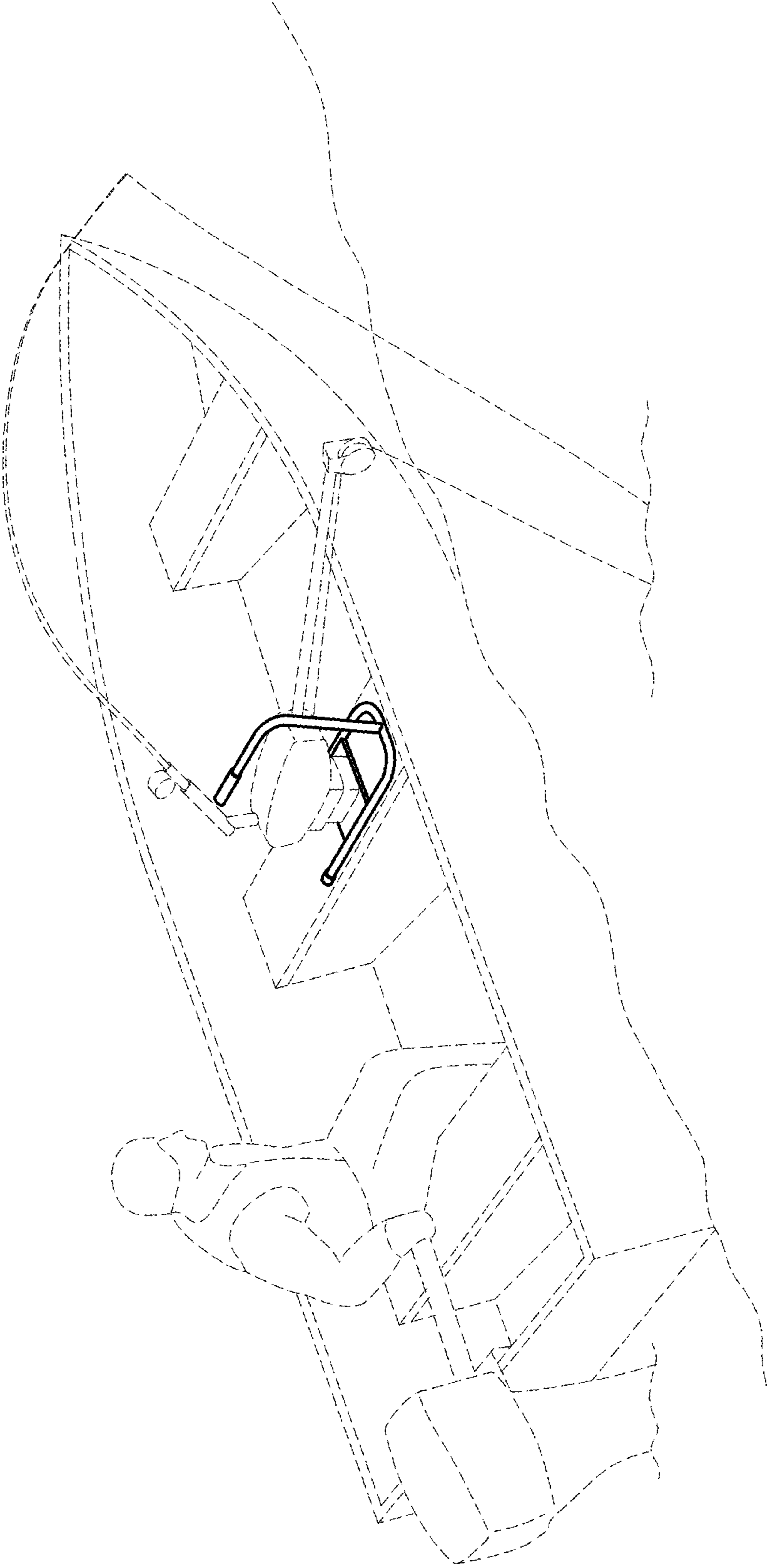


FIG. 7