



US00D798990S

(12) **United States Design Patent**
McNaughton

(10) **Patent No.:** **US D798,990 S**

(45) **Date of Patent:** **** Oct. 3, 2017**

(54) **FISHING LURE**

(71) Applicant: **Braxton McNaughton**, Georgiana, AL
(US)

(72) Inventor: **Braxton McNaughton**, Georgiana, AL
(US)

(**) Term: **15 Years**

(21) Appl. No.: **29/574,142**

(22) Filed: **Aug. 12, 2016**

(51) **LOC (10) Cl.** **22-05**

(52) **U.S. Cl.**
USPC **D22/127**

(58) **Field of Classification Search**
USPC D22/126-133; D17/10, 11; D21/405,
D21/570, 657; D7/688, 300.2
CPC A01K 85/00; A01K 85/01; A01K 85/16
See application file for complete search history.

(56) **References Cited**

U.S. PATENT DOCUMENTS

D460,801 S * 7/2002 Jones D22/127
D500,832 S * 1/2005 Richardson D22/127

D615,147 S * 5/2010 Montgomery D22/127
D640,767 S * 6/2011 Renosky D22/127
D700,676 S * 3/2014 Shoemaker D22/127
D782,605 S * 3/2017 McNaughton D22/127

* cited by examiner

Primary Examiner — Karen S Acker

Assistant Examiner — S. Bryan Reinholdt, Jr.

(74) *Attorney, Agent, or Firm* — Bush Intellectual
Property Law; Kenneth M. Bush

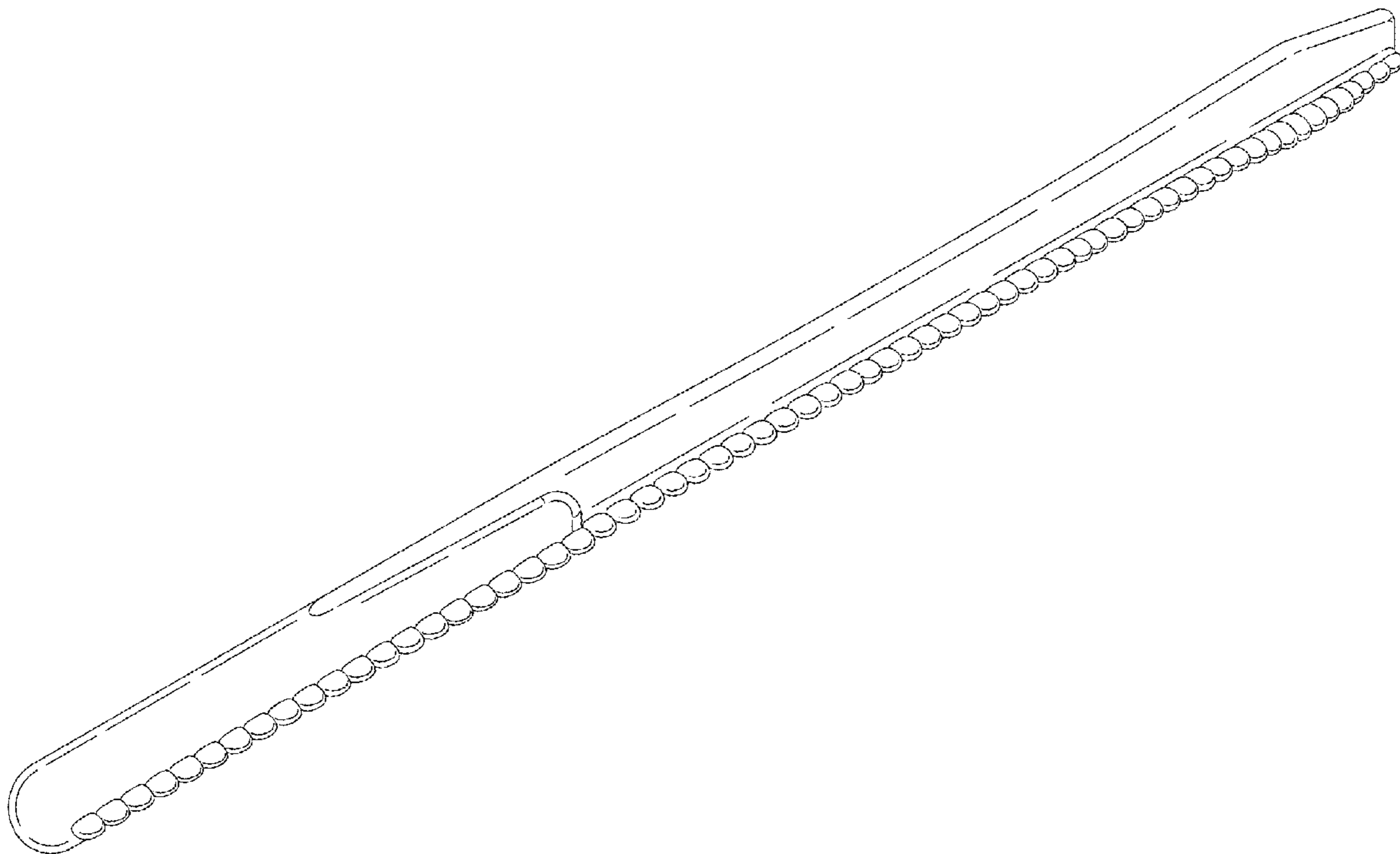
(57) **CLAIM**

I claim the ornamental design for a fishing lure, as shown
and described.

DESCRIPTION

FIG. 1 is a right front perspective view of a fishing lure
showing my new design;
FIG. 2 is a right side elevational view thereof, the left side
elevational view being a mirror image of the right side
elevational view;
FIG. 3 is a top plan view thereof;
FIG. 4 is a bottom plan view thereof;
FIG. 5 is a front elevational view thereof; and,
FIG. 6 is a rear elevational view thereof.

1 Claim, 2 Drawing Sheets



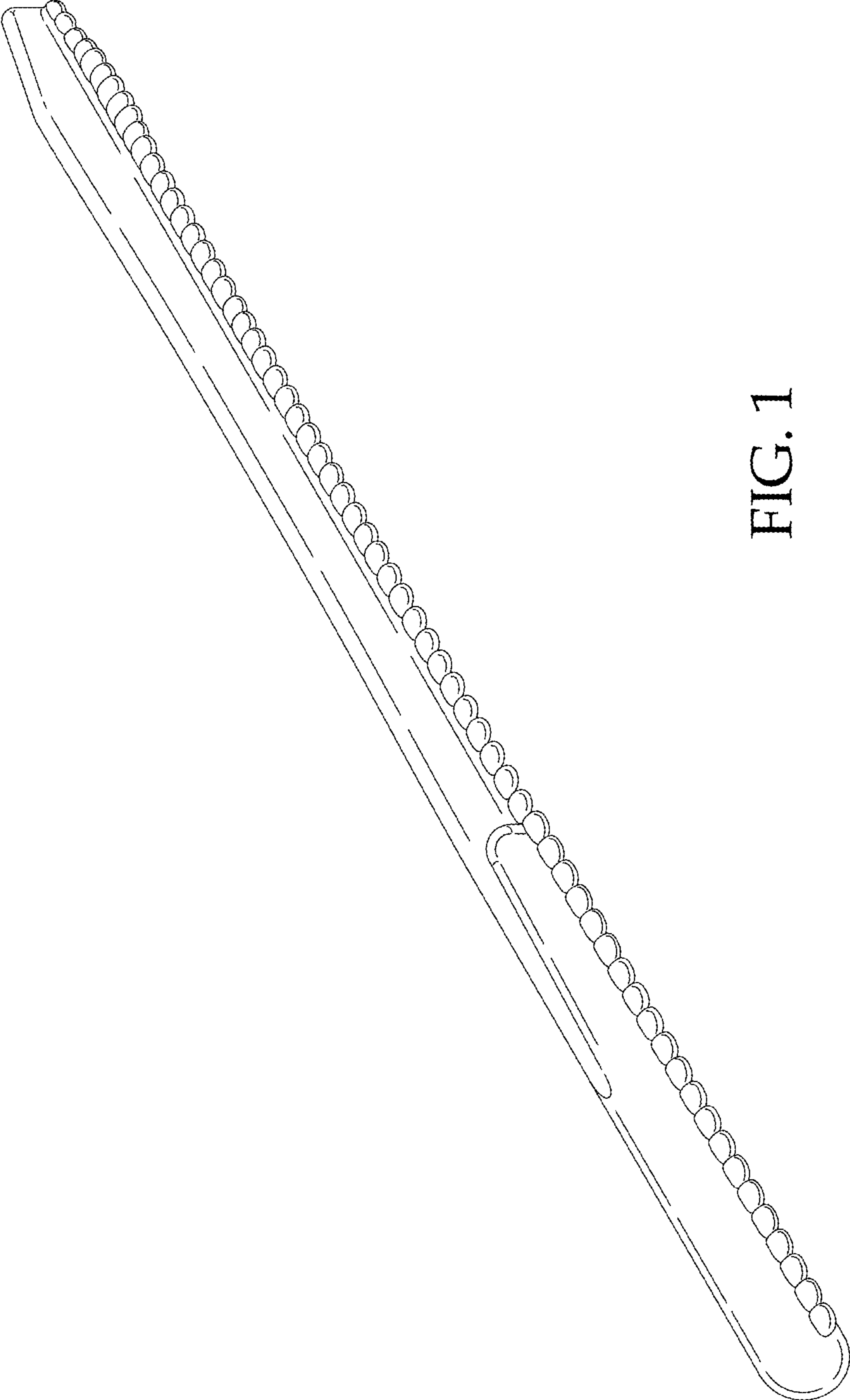


FIG. 1

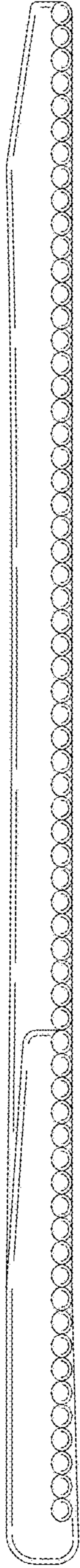


FIG. 2

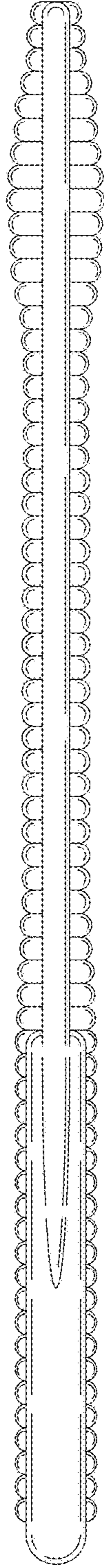


FIG. 3

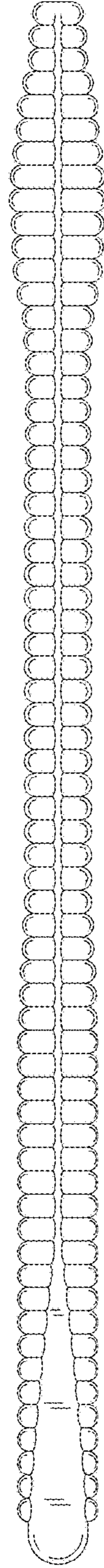


FIG. 4

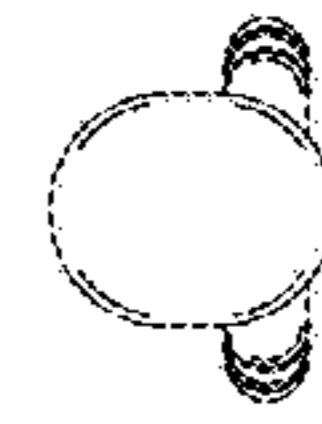


FIG. 5

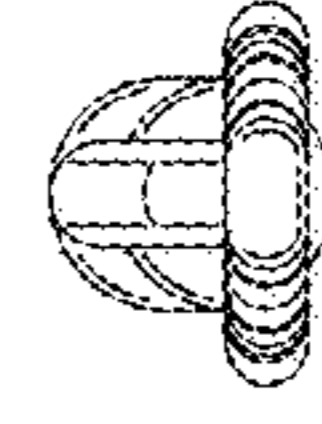


FIG. 6