



US00D798989S

(12) **United States Design Patent** (10) **Patent No.:** **US D798,989 S**
Stocke (45) **Date of Patent:** **** Oct. 3, 2017**

(54) **INSECT TRAP ELEMENT**

(71) Applicant: **Joel Stocke**, Duluth, MN (US)

(72) Inventor: **Joel Stocke**, Duluth, MN (US)

(**) Term: **15 Years**

(21) Appl. No.: **29/558,500**

(22) Filed: **Mar. 18, 2016**

(51) **LOC (10) Cl.** **22-05**

(52) **U.S. Cl.**
USPC **D22/122**

(58) **Field of Classification Search**
USPC D22/119–125; 43/1, 60, 65, 129;
D9/434; D7/387; 215/355–356
CPC .. A01M 1/026; A01M 1/2011; A01M 31/008;
A01M 2200/011
See application file for complete search history.

(56) **References Cited**

U.S. PATENT DOCUMENTS

D27,780 S * 10/1897 Estes D9/439
5,094,025 A * 3/1992 Daniels A01M 31/008
43/1
D478,647 S * 8/2003 McNaughton D22/122
D739,918 S * 9/2015 Brackett, Sr. D22/146

* cited by examiner

Primary Examiner — Catheri Oliver-Garcia

(74) *Attorney, Agent, or Firm* — Christensen, Fonder,
Dardi & Herbert PLLC

(57) **CLAIM**

I claim the ornamental design for an insect trap element, as shown and described.

DESCRIPTION

FIG. 1 is a right side elevation view of the insect trap element.

FIG. 2 is a top perspective view of the insect trap element.

FIG. 3 is a top plan view of the insect trap element.

FIG. 4 is a front elevation view of the insect trap element.

FIG. 5 is a bottom perspective view of the insect trap element.

FIG. 6 is a rear elevation view of the insect trap element.

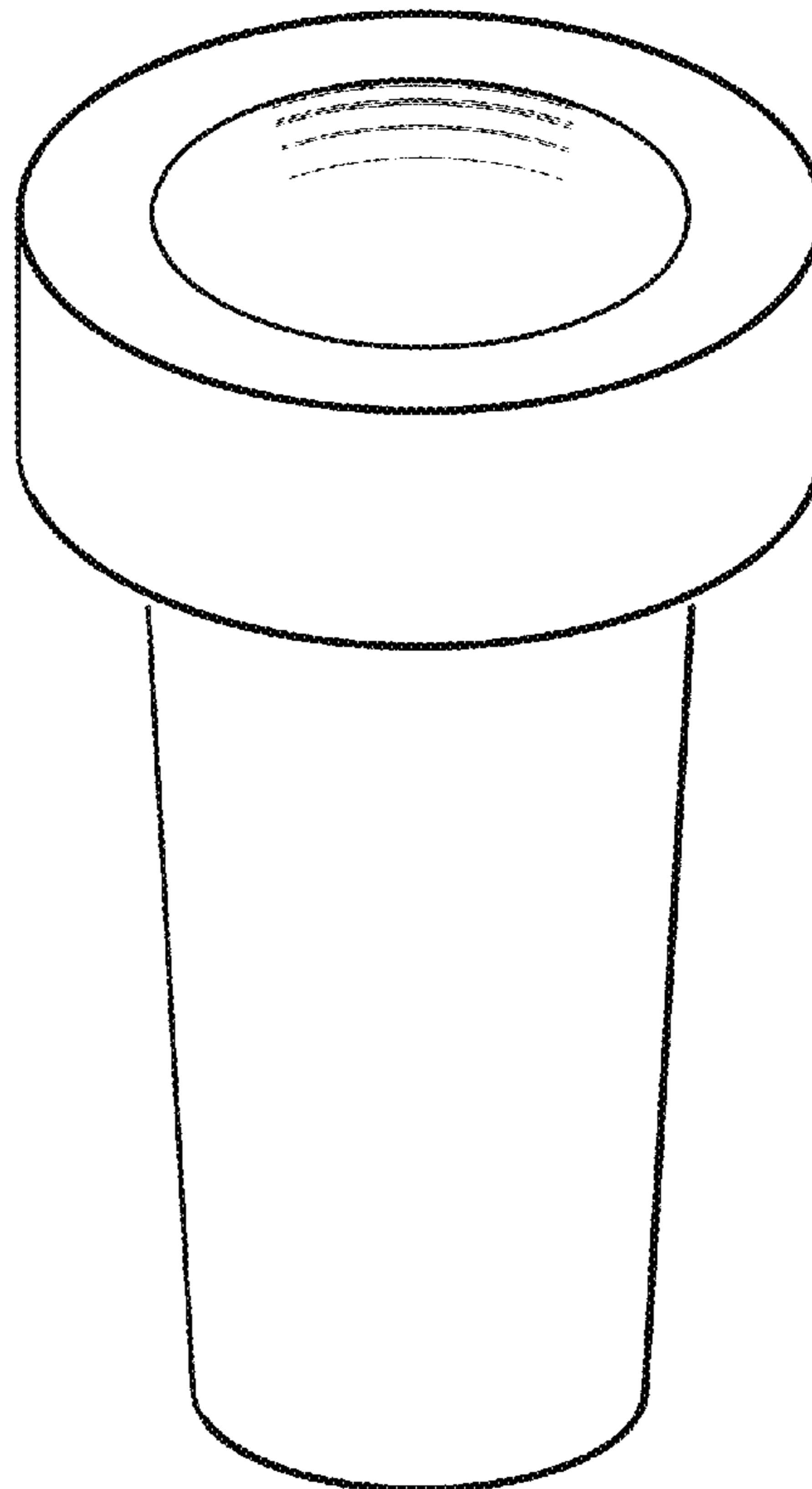
FIG. 7 is a bottom plan view of the insect trap element.

FIG. 8 is a left side elevation view of the insect trap element; and,

FIG. 9 is a cross sectional view taken along line 9-9 of FIG. 4.

The broken lines shown in the drawings illustrate the environment of the claim and form no part of the claimed design.

1 Claim, 7 Drawing Sheets



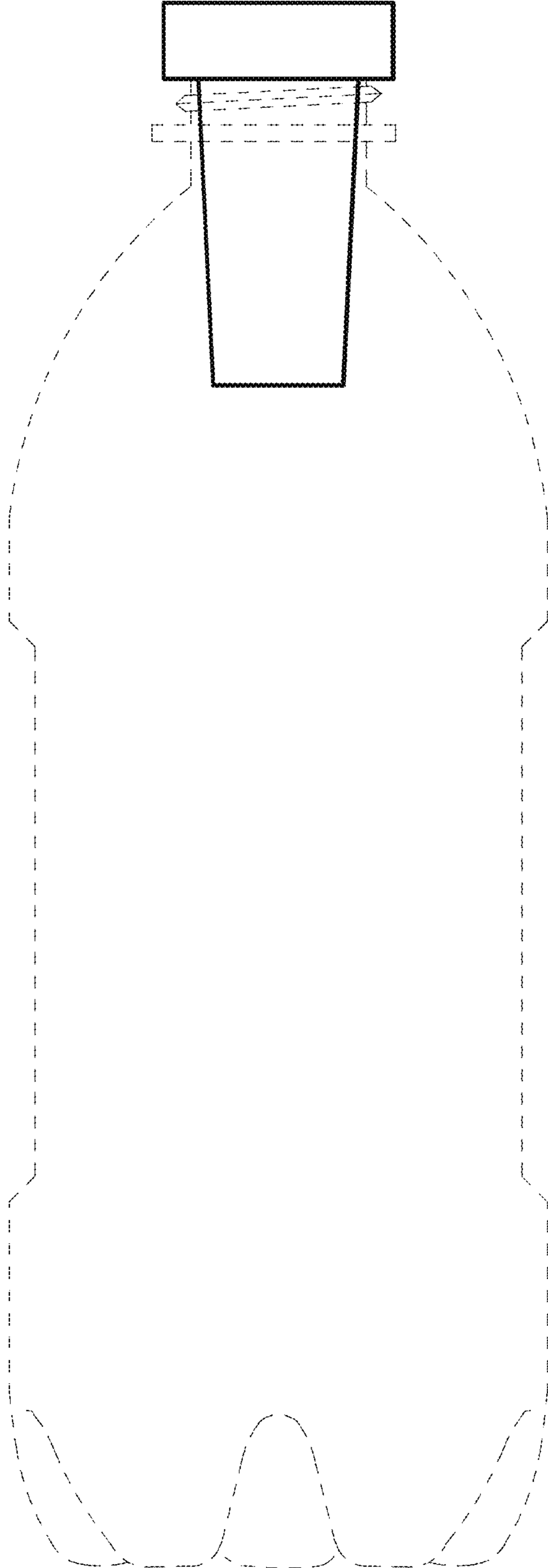


FIG. 1

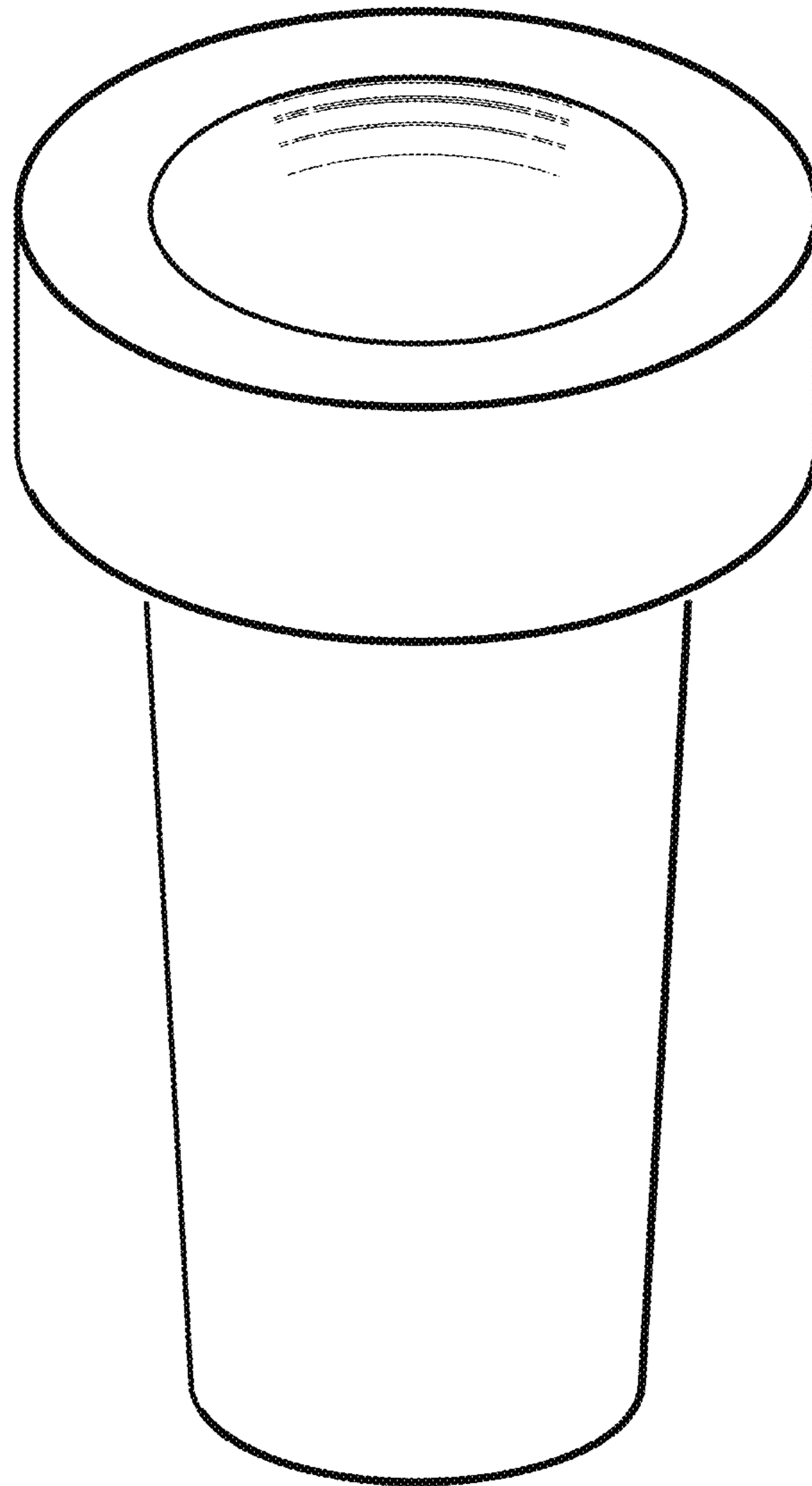


FIG. 2

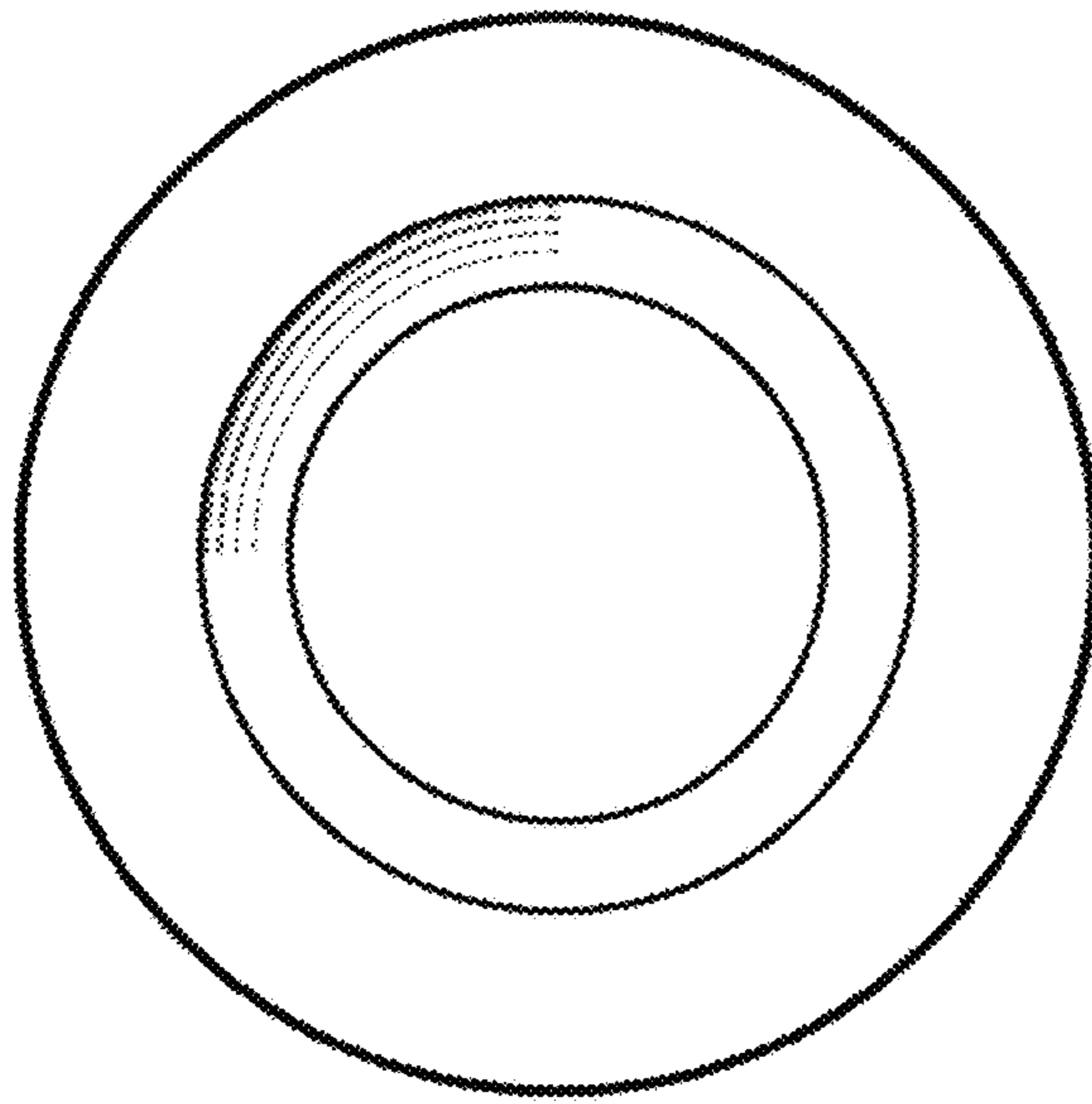


FIG. 3

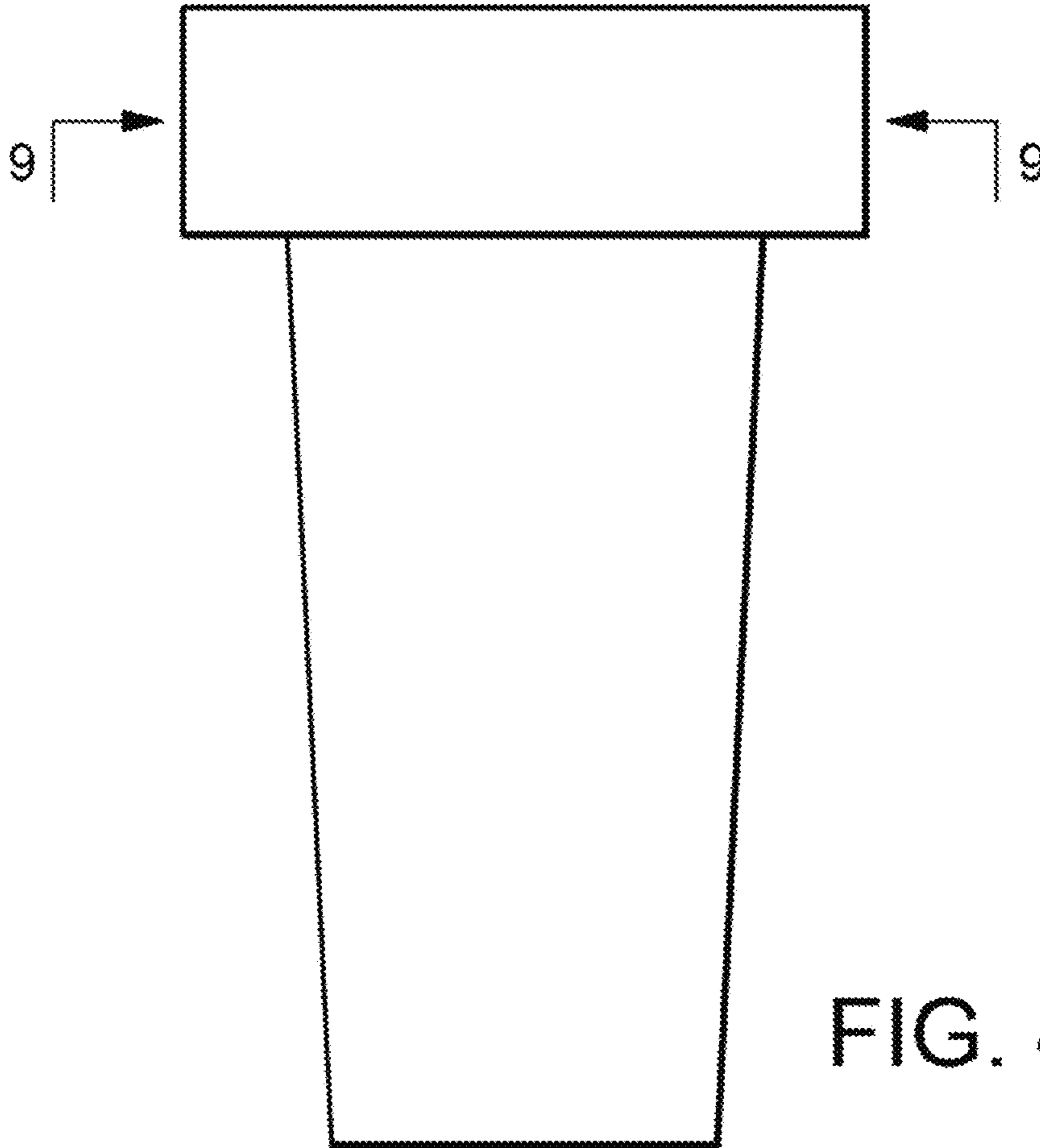


FIG. 4

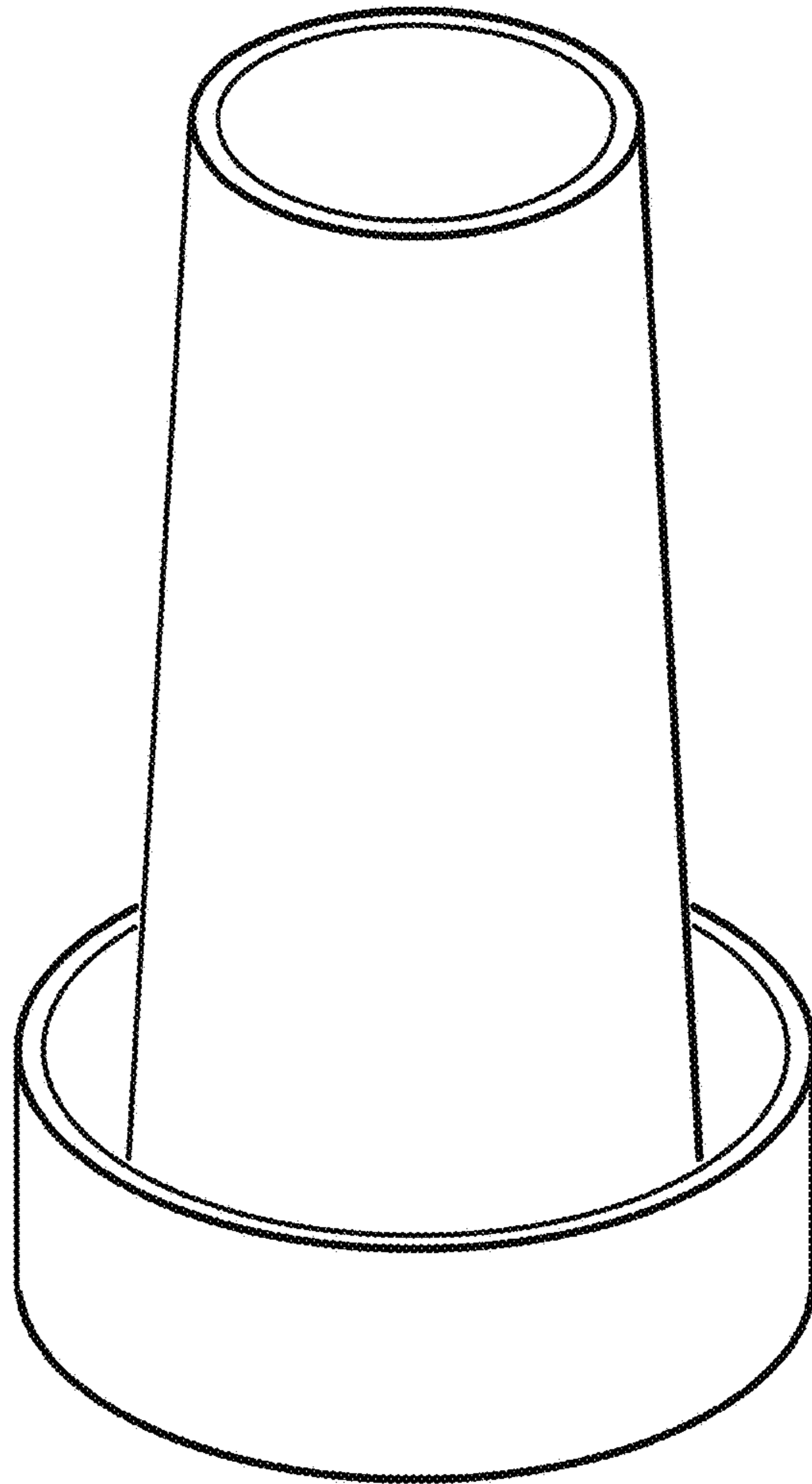


FIG. 5

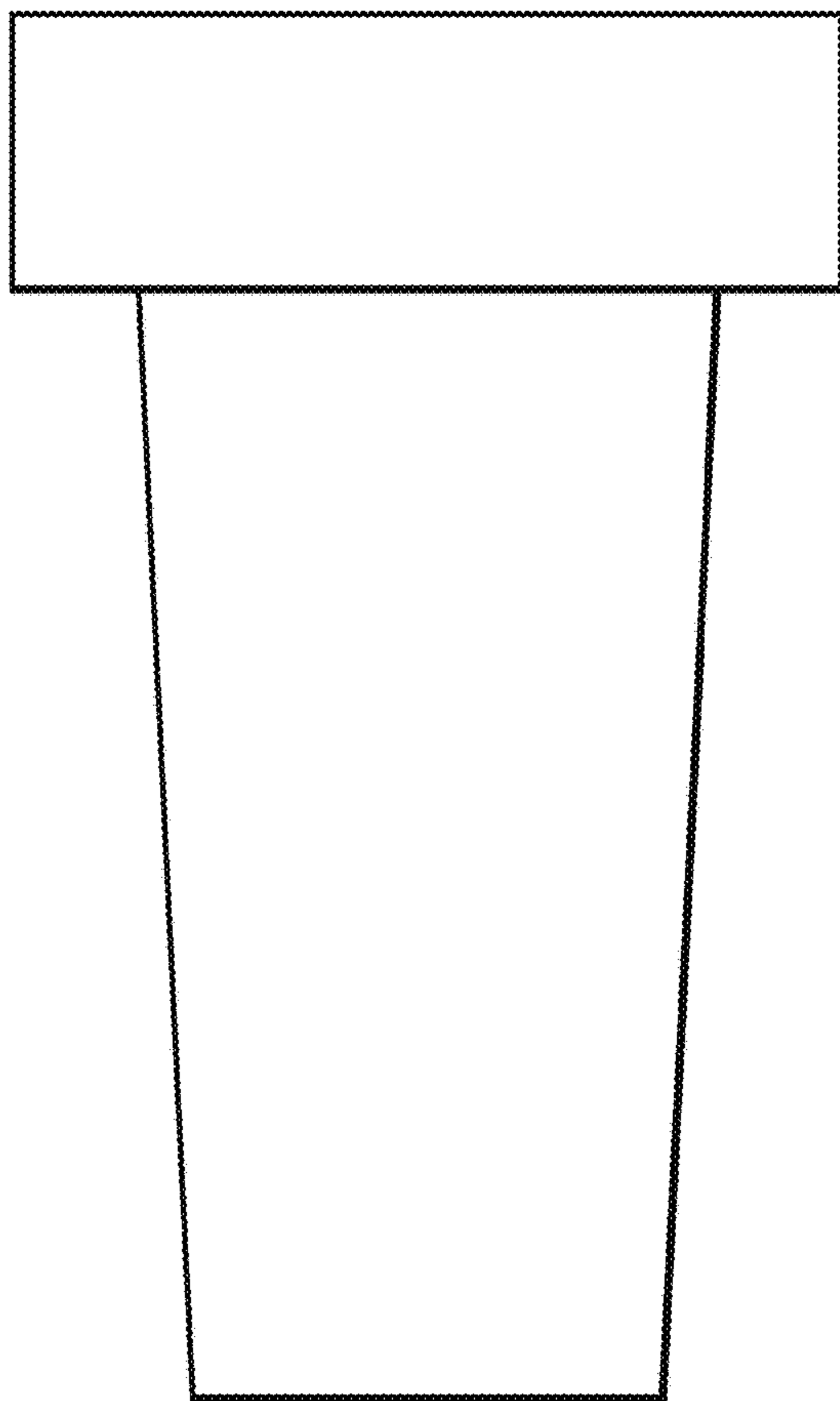


FIG. 6

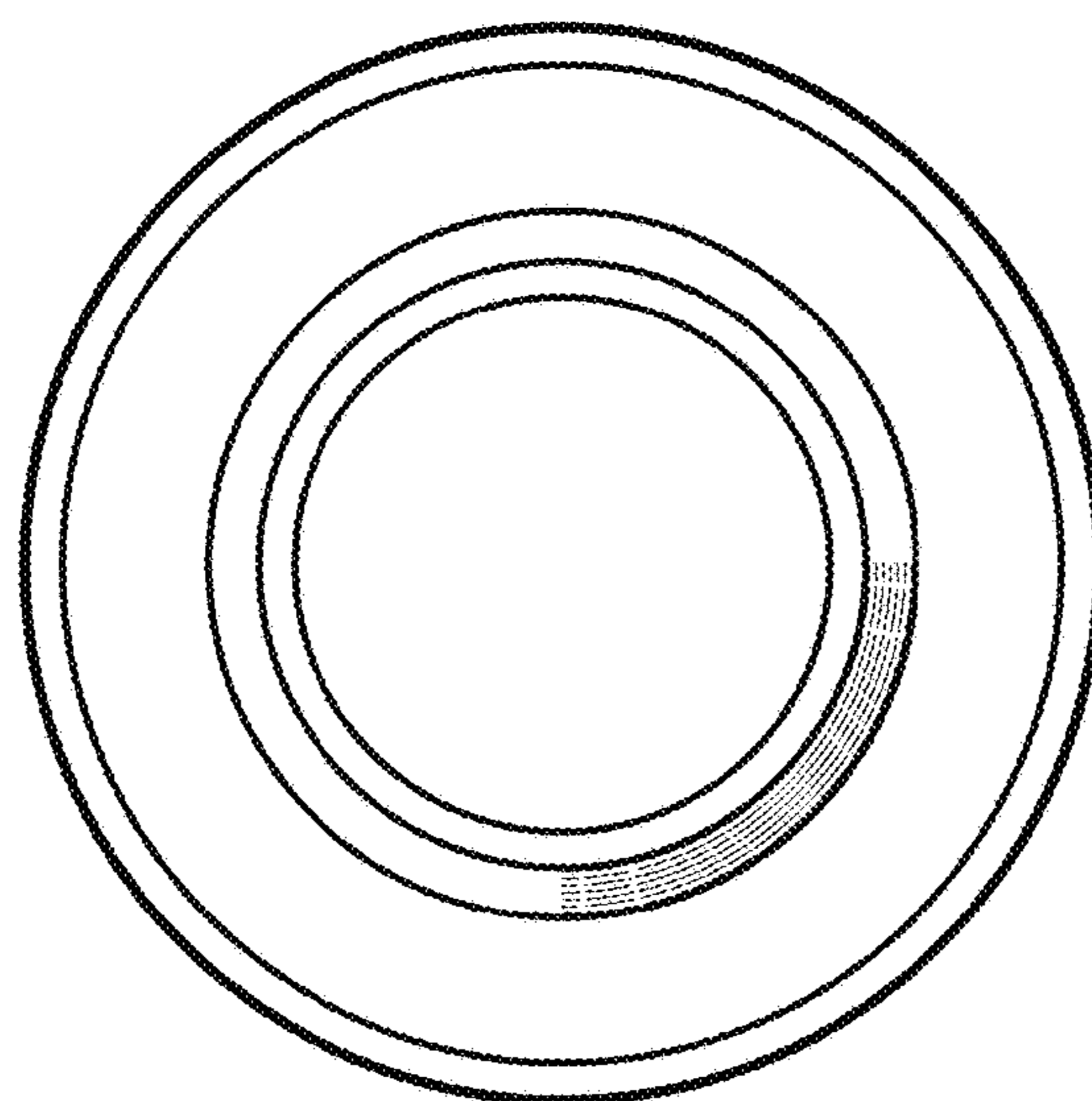


FIG. 7

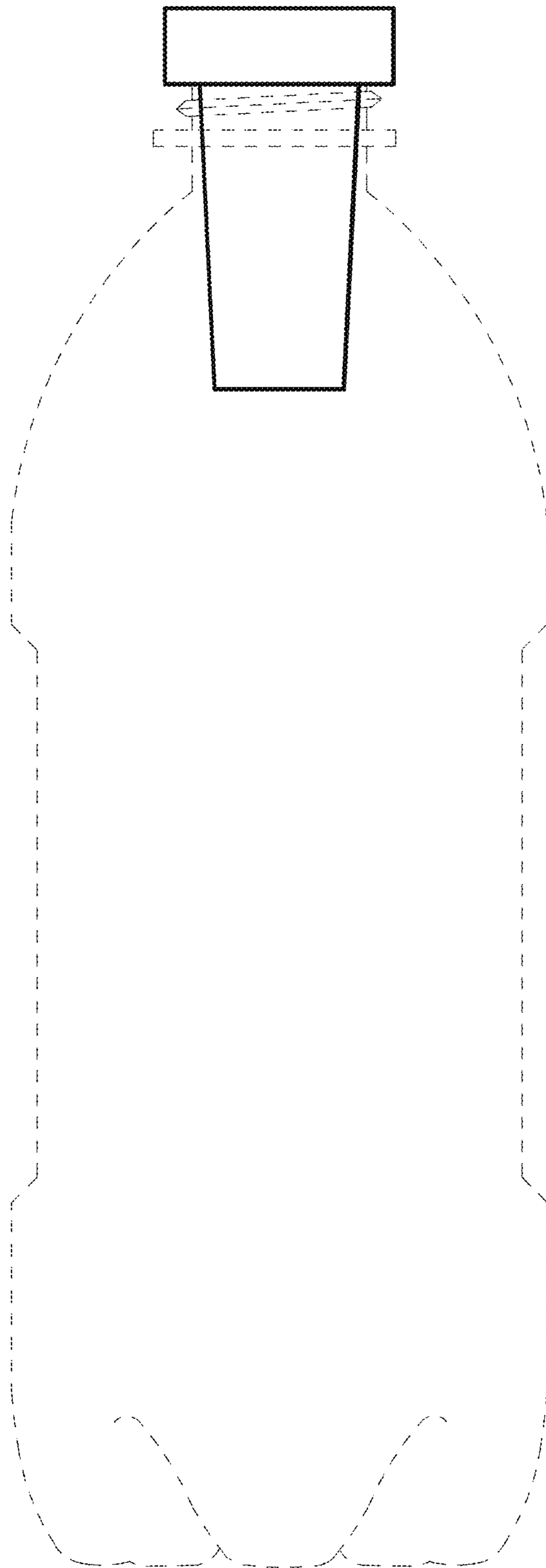


FIG. 8

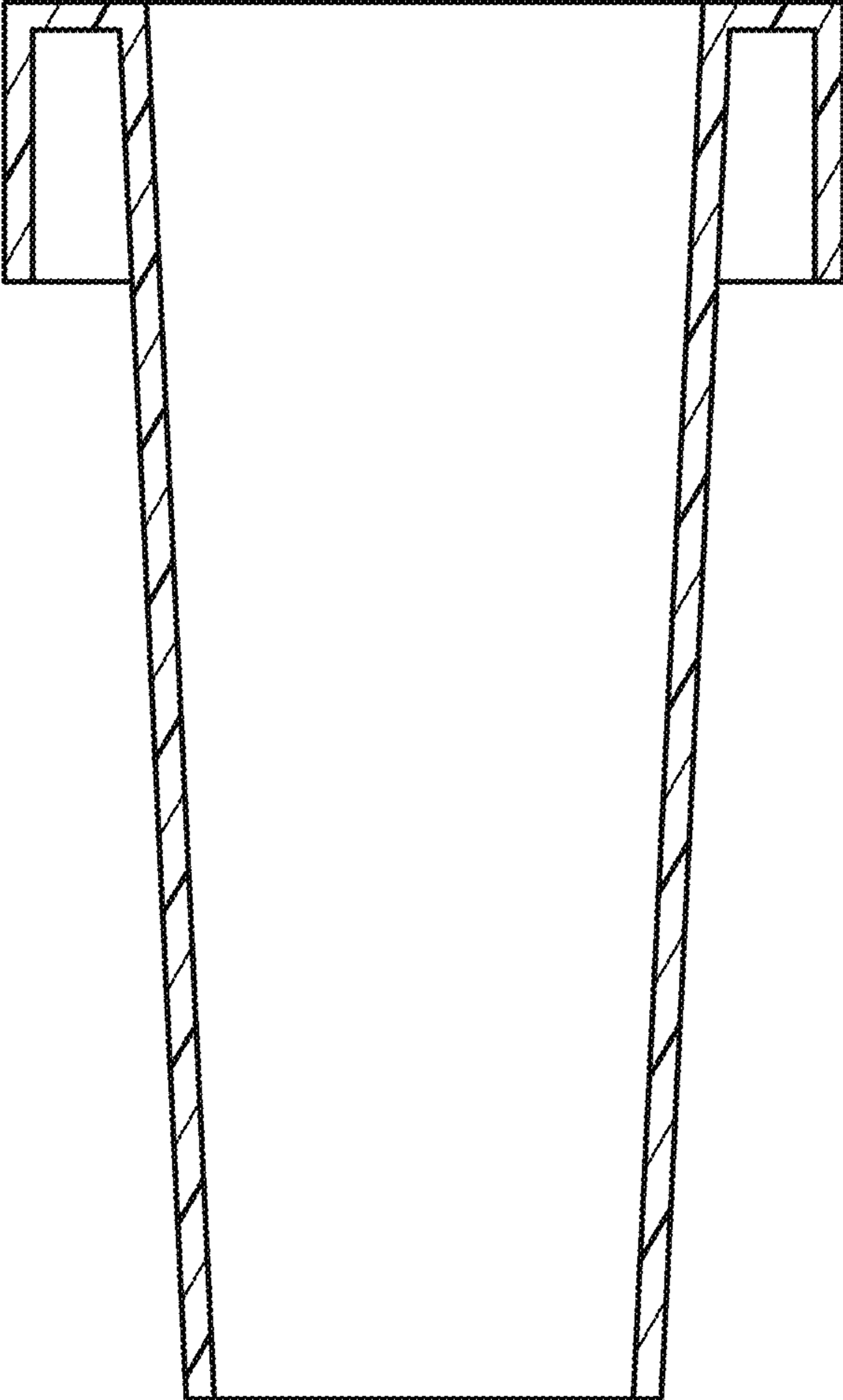


FIG. 9