



US00D798984S

(12) **United States Design Patent** (10) **Patent No.:** **US D798,984 S**  
**Roberts et al.** (45) **Date of Patent:** **\*\* Oct. 3, 2017**

(54) **ADJUSTABLE BUTTSTOCK FOR A FIREARM**

(56) **References Cited**

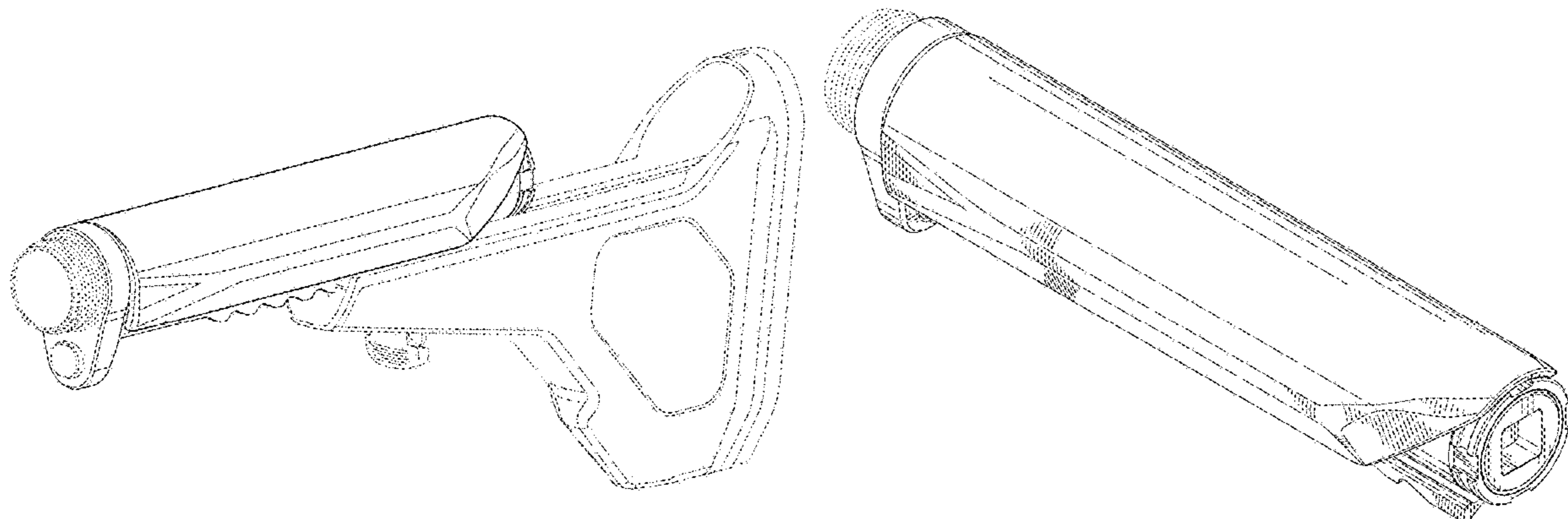
U.S. PATENT DOCUMENTS

- (71) Applicant: **Magpul Industries Corporation**,  
Louisville, CO (US)
- (72) Inventors: **Timothy E. Roberts**, Broomfield, CO (US); **Yehezkel Eitan**, Johnstown, CO (US); **Michael T. Mayberry**, Denver, CO (US); **Richard Fitzpatrick**, West Lake Hills, TX (US)
- (73) Assignee: **Magpul Industries Corporation**,  
Louisville, CO (US)
- (\*\*) Term: **15 Years**
- (21) Appl. No.: **29/588,445**
- (22) Filed: **Dec. 20, 2016**

922,173 A	5/1909	Lovelace	
1,032,628 A	7/1912	Sherman	
1,651,299 A	11/1927	Stansel	
3,348,328 A	10/1967	Earl	
3,618,249 A	11/1971	Grandy	
3,710,496 A	1/1973	Packmayr	
D241,836 S	10/1976	Ruger	
4,120,108 A	10/1978	Vickers	
4,122,623 A	10/1978	Stice	
4,203,243 A	5/1980	Hickman	
4,383,384 A	5/1983	Fox	
4,589,219 A	5/1986	Milliman	
4,663,877 A	5/1987	Bragg	
D297,855 S	9/1988	Ruger	
4,788,785 A	12/1988	White	
4,896,446 A	1/1990	Gregory	
5,031,348 A	7/1991	Carey	
5,075,995 A	12/1991	Kennel	
D324,557 S	3/1992	Livingston	
D382,037 S	8/1997	Scott	
5,933,997 A	8/1999	Barrett	
6,543,172 B1	4/2003	Armstrong	
6,598,330 B2	7/2003	Garrett	
6,637,141 B1	10/2003	Weatherby	
D514,123 S	1/2006	Naruki	
D515,637 S	2/2006	Hatcher	
D516,660 S	3/2006	Murello	
D516,807 S	3/2006	Richardson	
D517,637 S	3/2006	Murello	
D523,096 S	6/2006	Pflaumer	
7,162,823 B2	1/2007	Schoppman	
D551,313 S	9/2007	Saur	
7,398,616 B1 *	7/2008	Weir	F41C 23/04 42/71.01
D589,578 S	3/2009	Choma	
D603,013 S	10/2009	Fitzpatrick	
D606,614 S	12/2009	Fitzpatrick	
D607,078 S	12/2009	Chu	
7,647,719 B2	1/2010	Fitzpatrick	
D610,218 S	2/2010	Barrett	
7,762,018 B1 *	7/2010	Fitzpatrick	F41A 11/02 42/73
7,810,270 B2	10/2010	Fitzpatrick	
7,827,722 B1	11/2010	Davies	
D636,833 S	4/2011	Mayberry	
D636,834 S	4/2011	Mayberry	
D640,342 S	6/2011	Fitzpatrick	
7,984,580 B1	7/2011	Giauque	
D645,110 S	9/2011	Cook	

**Related U.S. Application Data**

- (62) Division of application No. 29/551,197, filed on Jan. 11, 2016, now Pat. No. Des. 781,392.
- (51) **LOC (10) Cl.** ..... **22-01**
- (52) **U.S. Cl.**  
USPC ..... **D22/108**
- (58) **Field of Classification Search**  
USPC ..... D22/108, 103, 109, 100, 101, 104, 105,  
D22/110; D21/401, 461, 567, 568,  
D21/570-575; 124/16, 26, 27, 28, 29,  
124/54, 73-77; 222/78, 79; 42/54, 57,  
42/58, 71.01, 72, 73, 74, 75.03, 90;  
446/23, 182, 192, 401, 403, 405-407,  
446/473, 475  
CPC ..... F41C 23/00; F41C 23/02; F41C 23/04;  
F41C 23/06; F41C 23/08; F41C 23/10;  
F41C 23/12; F41C 23/14; F41C 23/16;  
F41C 23/18; F41C 23/20; F41C 23/22  
See application file for complete search history.





# US D798,984 S

D645,533 S	9/2011	Peterson		2013/0180150 A1*	7/2013	Dueck .....	F41A 21/325
D648,412 S	11/2011	Cook					42/90
8,087,193 B2*	1/2012	Kincel .....	F41C 23/04	2014/0075815 A1	3/2014	Jarboe	
			42/71.01	2014/0196343 A1	7/2014	Wilson	
D661,366 S	6/2012	Zusman		2014/0260946 A1*	9/2014	Gomez .....	F41A 5/18
D661,768 S	6/2012	Keng					89/191.01
D665,042 S	8/2012	Kellgren		2015/0338187 A1	11/2015	Priddy	
D667,072 S	9/2012	Kriegleder		2015/0345881 A1*	12/2015	Irvin .....	F41A 3/78
8,296,984 B2	10/2012	Kincel					42/1.06
D671,183 S	11/2012	Lucansky		2016/0116249 A1*	4/2016	Maugham .....	F41C 23/08
8,381,427 B2	2/2013	Nill					42/74
D680,611 S	4/2013	Emde		2016/0178314 A1*	6/2016	Kielsmeier .....	F41C 23/14
8,429,844 B2	4/2013	Dextraze					42/73
D683,808 S	6/2013	Elkaim		2016/0187099 A1	6/2016	Cottle	
8,453,365 B1	6/2013	Ballard		2016/0327362 A1*	11/2016	Eitan .....	F41C 23/02
D695,377 S	12/2013	Mayberry					
8,656,622 B2	2/2014	Peterson					
8,656,623 B1	2/2014	Chvala					
D704,294 S	5/2014	Jarboe					
8,720,099 B1	5/2014	Sisk					
D706,879 S *	6/2014	Chu .....	D21/573				
8,769,854 B1	7/2014	Battaglia					
D710,477 S	8/2014	Kauranen					
D710,478 S	8/2014	Kauranen					
D712,998 S	9/2014	Gomez					
8,844,185 B2	9/2014	Jarboe					
D717,906 S *	11/2014	Montes .....	D22/108				
D722,671 S	2/2015	Mayberry					
8,955,245 B2	2/2015	Chvala					
D725,215 S	3/2015	Eberle					
8,978,285 B1	3/2015	Burke					
9,015,980 B2	4/2015	Shull					
D736,336 S *	8/2015	Mayberry .....	D22/108				
D736,340 S	8/2015	Mayberry					
9,109,855 B1*	8/2015	Kincel .....	F41C 23/20				
D737,924 S *	9/2015	Montes .....	D22/108				
D738,453 S *	9/2015	Montes .....	D22/108				
D738,981 S *	9/2015	Zusman .....	D22/108				
D738,985 S *	9/2015	Montes .....	D22/108				
D744,048 S *	11/2015	Chu .....	D21/573				
D745,622 S *	12/2015	Zusman .....	D22/108				
D745,627 S *	12/2015	Kielsmeier .....	D22/108				
D747,427 S *	1/2016	Zusman .....	D22/108				
9,228,795 B1	1/2016	Kielsmeier					
9,279,640 B1*	3/2016	Hurley .....	F41C 23/22				
9,285,184 B1	3/2016	Cianci					
D755,329 S	5/2016	Kielsmeier					
D760,326 S *	6/2016	Chu .....	D21/573				
9,377,255 B2	6/2016	Karagias					
9,410,763 B2*	8/2016	Colt .....	F41C 23/04				
9,488,434 B2*	11/2016	Kielsmeier .....	F41C 23/14				
9,488,435 B1*	11/2016	Roberts .....	F41C 23/14				
D779,018 S *	2/2017	Zayatz .....	D22/108				
D780,875 S *	3/2017	Sylvester .....	D22/108				
D781,392 S *	3/2017	Zayatz .....	D22/108				
9,625,232 B2*	4/2017	Gomez .....	F41C 23/06				
2004/0031182 A1*	2/2004	Bentley .....	F41C 23/04				42/74
2007/0130817 A1	6/2007	Ballard					
2008/0028662 A1	2/2008	Abraham					
2008/0052979 A1	3/2008	Lee					
2008/0168695 A1	7/2008	Nakayama					
2008/0236016 A1	10/2008	Fitzpatrick					
2008/0236017 A1	10/2008	Fitzpatrick					
2009/0241397 A1	10/2009	Fitzpatrick					
2009/0255161 A1*	10/2009	Fitzpatrick .....	F41C 27/00				42/90
2010/0115817 A1	5/2010	Faifer					
2010/0462608	7/2010	McCann					
2010/0205846 A1*	8/2010	Fitzpatrick .....	F41A 11/02				42/73
2010/0242333 A1*	9/2010	Kincel .....	F41C 23/04				42/73
2010/0242334 A1*	9/2010	Kincel .....	F41C 23/04				42/74
2010/0251590 A1	10/2010	Fitzpatrick					
2011/0107643 A1	5/2011	Fitzpatrick					
2011/0131857 A1	6/2011	Kuczynko					
2012/0137561 A1	6/2012	Ludlow					

## OTHER PUBLICATIONS

PTS Magpul UBR Adjustable Stock for M4/M16 GBBR, AirsoftGI.com, [online], [site visited Jun. 12, 2017]. URL: <http://www.airsoftgi.com/product/PTS-Magpul-UBR-Adjustable-Stock-for-M4-M16-GBBR-10194/>.\*

Choate Adjustable Stock Thompson Center Encore (Only) Rifle Steel and Synthetic Black, MidWayUSA.com, [online], [site visited Jun. 12, 2017]. URL: <https://www.midwayusa.com/product/436453/choate-adjustable-stock-thompson-center-encore-only-rifle-steel-and-synthetic-black>.\*

UBR Gen2 Collapsible Stock, Magpul.com, [online], [site visited Jun. 12, 2017]. URL: <https://www.magpul.com/products/ubr-2-0-collapsible-stock>.\*

Magpul UBR Gen 2 Stock, YouTube.com, Guns & Ammo, Published on Jan 26, 2016, [online], [site visited Jun. 12, 2017]. URL: <https://www.youtube.com/watch?v=-1RVOzkkPPQ>.\*

Ace L TO (HMR) Hammer Stock, AR Replacement-Stock Options, Part 1, The Shooter's Log, by Robert Sadowski, published on Aug. 15, 2014 in Firearms, [online], [site visited Sep. 30, 2016]. <URL: <http://blog.cheaperthandirt.com/ar-replacement-stockoptions-part1>>.

Archangel OPFOR Adjustable Stock AK-47 Polymer, MidwayUSA, [online], [site visited Sep. 30, 2016]. <URL: <http://www.midwayusa.com/product/3357223614/archangel-opfor-adjustable-stock-ak-47-polymer>>.

Command Arms SRS Product Info Online 2008 Command Arms Accessories Online Catalog (2008) SRS Product Information. Ergo Grip 2014 Ergo Grip (Oct. 21, 2014) Ergo F93 PRO Stock™ Website [Online] Available Website: <http://ergogrips.net/products/ergo-f93-pro-stock.html>; Last Update: Jun. 24, 2015; Accessed on: Jan. 18, 2016.

FAB Defense Recoil Reducing Collapsible Buttstock Assembly AK-47, AK-74 Polymer, MidwayUSA, [online], [site visited Sep. 30, 2016]. <URL: <http://www.midwayusa.com/product/2704211913/fab-defense-recoil-reducing-collapsible-buttstock-assembly-ak-47-ak-74-polymer>>.

FAB Defense Tactical Side Folding Buttstock with Adjustable Cheek Rest AK-47 Stamped Receivers Synthetic Black, MidwayUSA, [online], [site visited Sep. 30, 2016]. <URL: <http://www.midwayusa.com/product/432379/fab-defense-tactical-sidefolding-buttstock-with-adjustable-cheek-rest-ak-47-stamped-receivers-synthetic-black>>.

FNH-USA 2010 FN-SCAR 16 w/ wikipedia FNH-USA (Apr. 20, 2010) FN-SCAR 16 w/wikipedia definition; Website [Online] Available Web Site: <http://www.fnhusa.com/le/products/firearms/family.asp?fid=fnf022&gid=fng007>; Last Update: unknown; Accessed on Apr. 20, 2010; Wikipedia (Apr. 20, 2010) FN-SCAR. Website [Online] Available Web Site: [http://en.wikipedia.org/wiki/FN\\_SCAR](http://en.wikipedia.org/wiki/FN_SCAR). Last Update: Apr. 19, 2010; Accessed on Apr. 20, 2010.

Foltz (Feb. 21, 2007) 5.56mm 30 Round Magazine Improvement Programs; PDF [Online] Available Web Site: <http://www.dtic.mil/ndia/2006smallarms/foltz.pdf> Last Update: Feb. 21, 2007; Accessed on: Apr. 20, 2010.

GLR-16 AR 15/M16 Buttstock, FAB Defense, [online], [site visited Sep. 30, 2016]. <URL: <http://www.fab-defense.com/en/categorybutt-stocks/id-8/ar15-m16-butt-stock.html>>.



HK\_PSG1A1\_Product\_Online\_2008 Heckler & Koch Online Catalog (2008) PSG1A1 Product Information.  
 Magpul\_2007\_PRS\_FAL\_Online\_Catalog Magpul Online Catalog (2007) FAL Preproduction Product Information.  
 Magpul\_2007\_PRS\_AR15M16\_Online\_Catalog Magpul Online Catalog (2007) PRS Ar15/M16 Product Information.  
 Magpul MOE Fixed Stock Mil Spec AR-15- MAG480, AT3 Tactical, [online], [site visited Sep. 30, 2016]. <URL: <http://www.at3tactical.com/co llectio ns/fde -ar 1 5-fu rn itu re-fl at -dark -earth -ar -1 5-fu rn itu re-by -hog u e-mag pu l-e rgo-troy-andmore/products/mag480-magpul-magpul-moe-fixed-stk-milspec>>.  
 Magpul 2015 Buttstocks UBR Collapsible Stock Magpul Industries Corporation (Jan. 23, 2015) UBR® Collapsible Stock; Website [Online] Available Website: <https://www.magpul.com/search-results?PID=88&eComQuery=MAG330&ProductNumber=MAG330>; Last Update: Feb. 26, 2015; Accessed on: Jan. 18, 2015.  
 ProMag Archangel AK-Series Adjustable Buttstock in Black, Centerfire Systems, [online], [site visited Sep. 30, 2016]. <URL: <http://www.centerfiresystems.com/STKAKA-PM-BL.aspx>>.  
 Shockwave NE Plus Ultra (Sep. 4, 2014) Shockwave Introduces the Blade AR Pistol Stabilizer; Website [Online] Available Website: <http://shockwavetechnologies.com/site/?p=1724>; Last Update: May 28, 2015; Accessed on: Jan. 18, 2016.  
 UBR Collapsible Stock, Magpul, [online], [site visited Sep. 30, 2016]. <URL: <https://www.magpul.com/products/firearmsaccessories/buttstocks/ubr-collapsible-stock>>.  
 Design U.S. Appl. No. 29/399,326, “ACS Rifle Stock” filed Aug. 12, 2011, by Fitzpatrick.  
 Design U.S. Appl. No. 29/551,197 “Adjustable Buttstock for a Firearm” filed Jan. 11, 2016.  
 Design U.S. Appl. No. 29/551,199 “Adjustable Buttstock for a Firearm” filed Jan. 11, 2016.  
 Design U.S. Appl. No. 29/588,501 “Adjustable Buttstock for a Firearm” filed Dec. 21, 2016.  
 Design U.S. Appl. No. 29/588,511 “Adjustable Buttstock for a Firearm” filed Dec. 21, 2016.

\* cited by examiner

Primary Examiner — T. Chase Nelson  
 Assistant Examiner — Jonathan J. Han

(74) *Attorney, Agent, or Firm* — Swanson & Bratschun, L.L.C.

(57)

**CLAIM**

The ornamental design for an adjustable buttstock for a firearm, as shown and described.

**DESCRIPTION**

FIG. 1 is a left, front, top perspective view of an adjustable buttstock for a firearm including an unclaimed lower butt stock portion and a claimed upper receiver portion showing our new design;

FIG. 2 is a left, rear, top perspective view of the adjustable buttstock for a firearm of FIG. 1;

FIG. 3 is a left, front, bottom perspective view of the adjustable buttstock for a firearm of FIG. 1;

FIG. 4 is a right side elevation view of the adjustable buttstock for a firearm of FIG. 1;

FIG. 5 is a left side elevation view of the adjustable buttstock for a firearm of FIG. 1;

FIG. 6 is a front elevation view of the adjustable buttstock for a firearm of FIG. 1;

FIG. 7 is a rear elevation view of the adjustable buttstock for a firearm of FIG. 1;

FIG. 8 is a top plan view of the adjustable buttstock for a firearm of FIG. 1; and,

FIG. 9 is a bottom plan view of the adjustable buttstock for a firearm of FIG. 1.

The broken lines showing portions of the design in all figures are included for the purpose of illustrating environment and unclaimed features and form no part of the claimed design. In some instances the broken lines indicate a boundary line and the unshaded surfaces within the boundary line form no part of the claimed design. The long-short segment broken line indicates an unclaimed upper receiver portion of the adjustable buttstock for a firearm and forms no part of the claimed design.

**1 Claim, 6 Drawing Sheets**

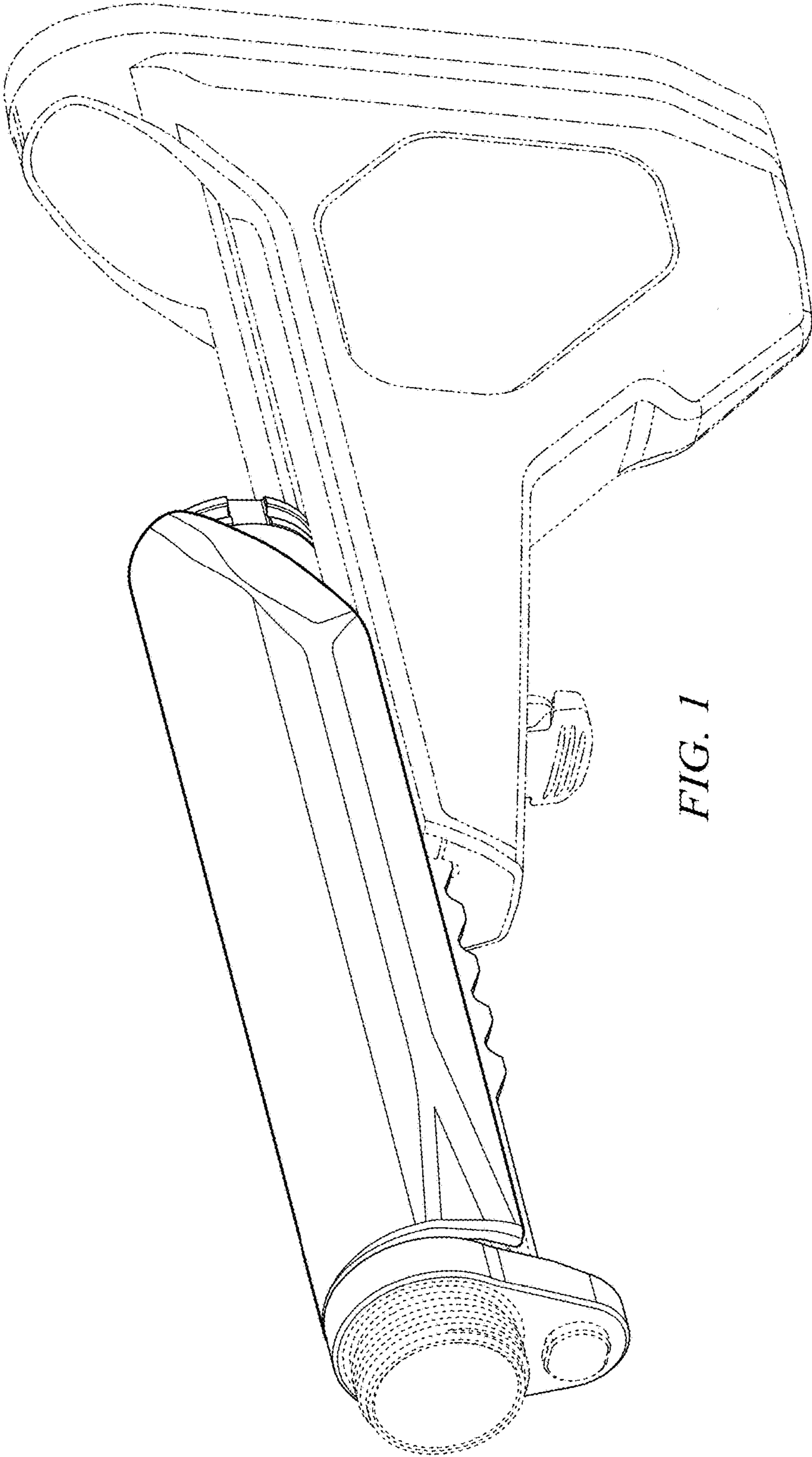


FIG. 1

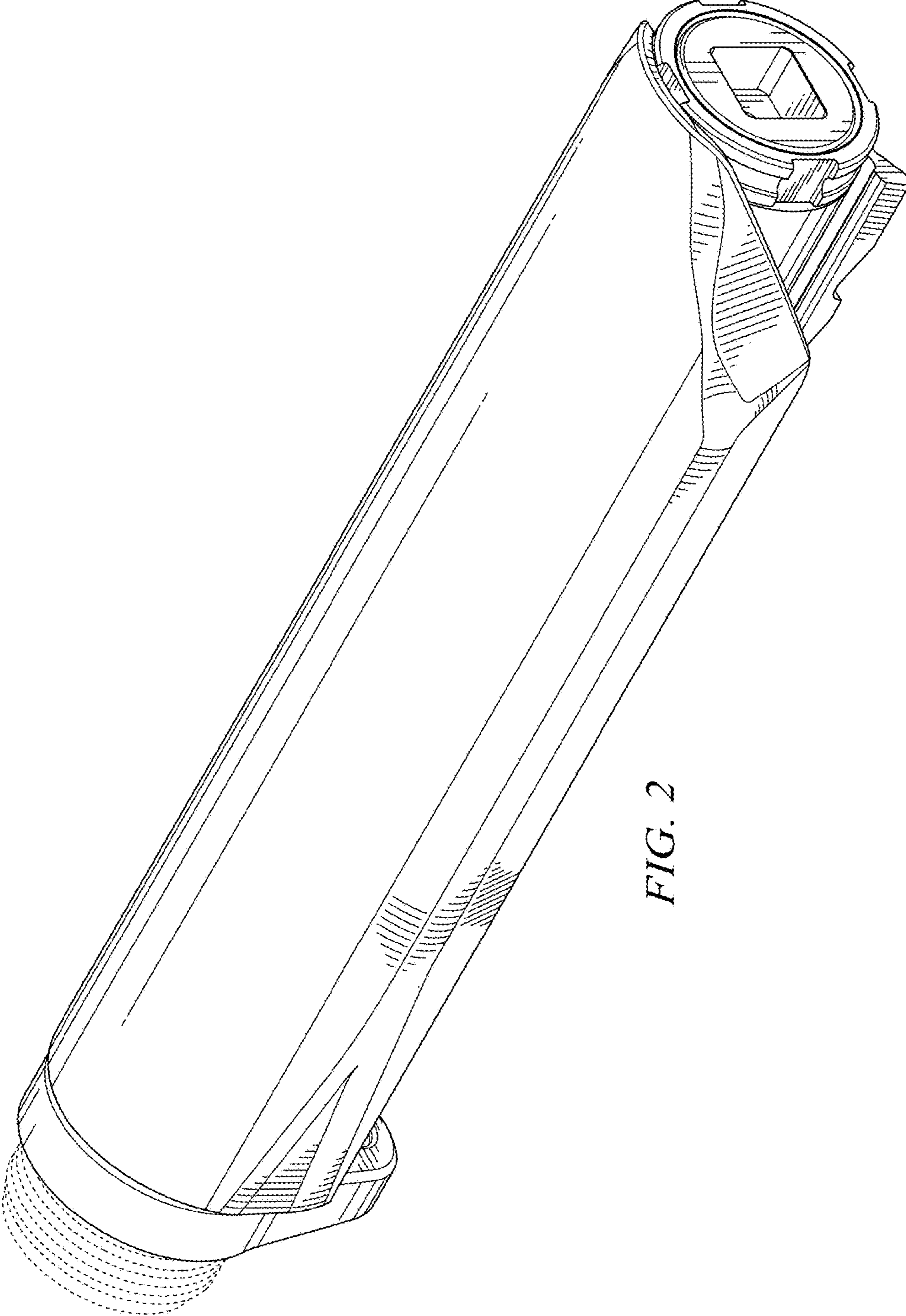


FIG. 2



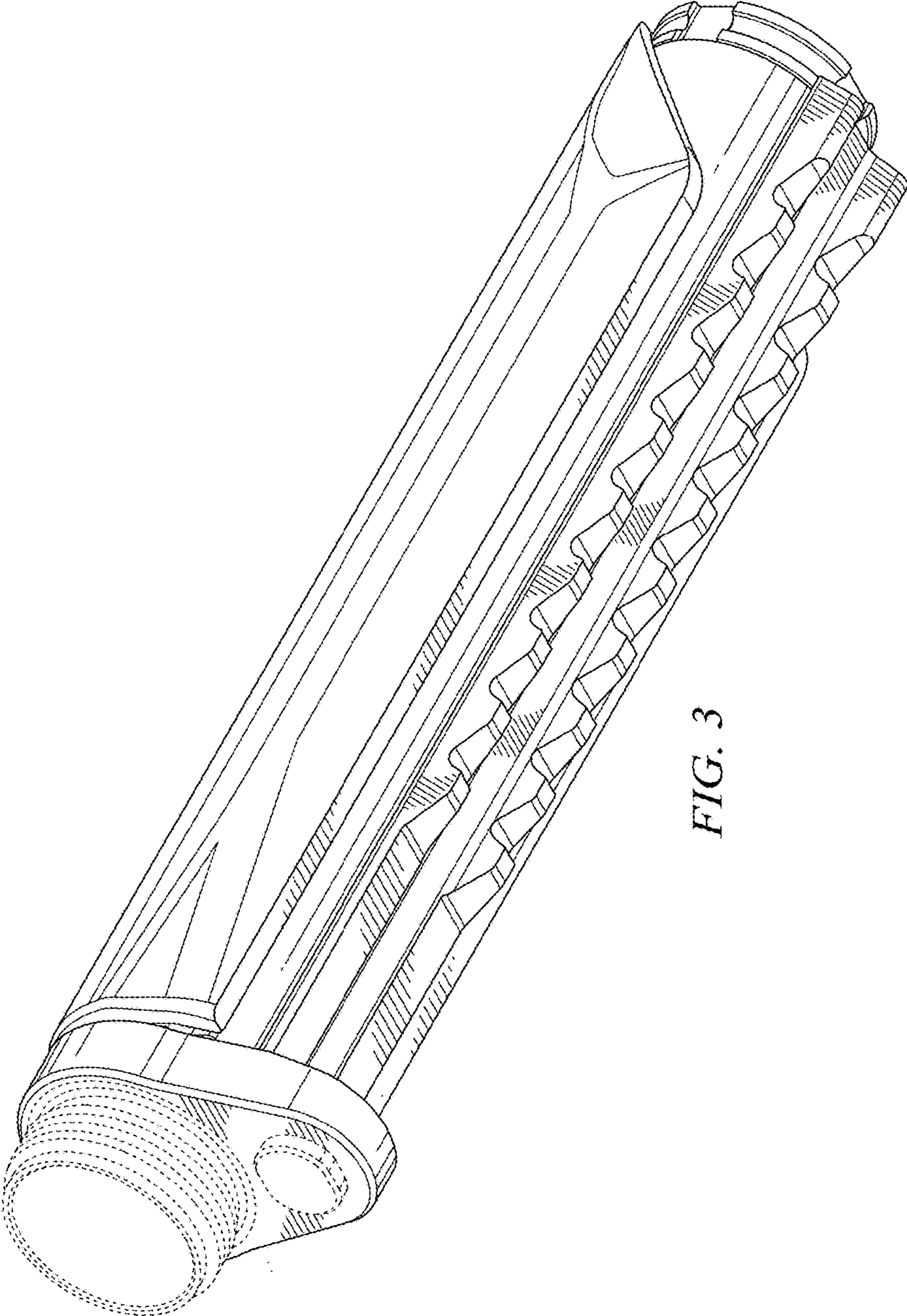


FIG. 3

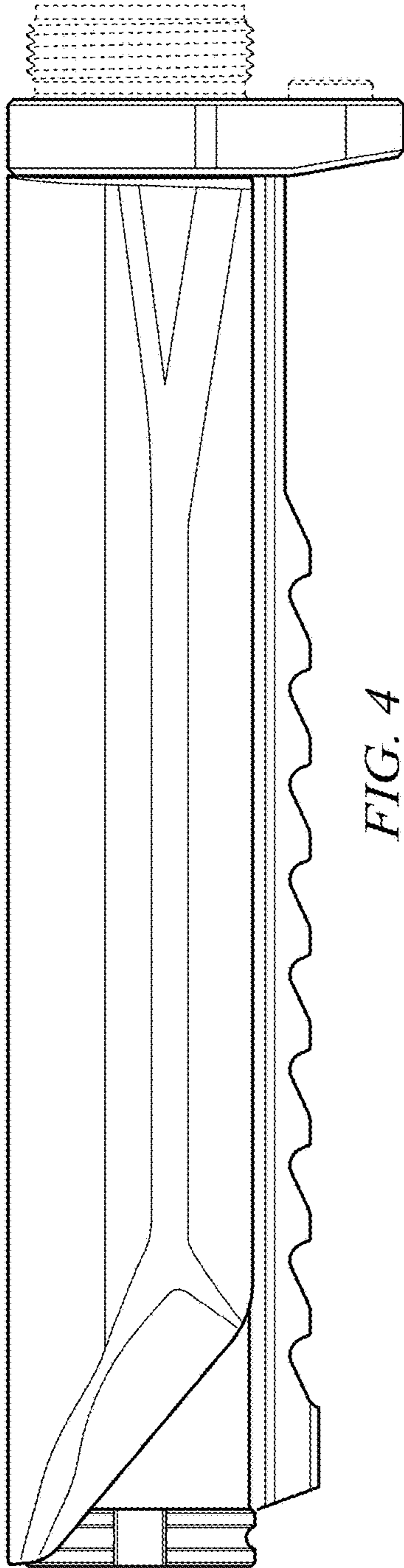


FIG. 4

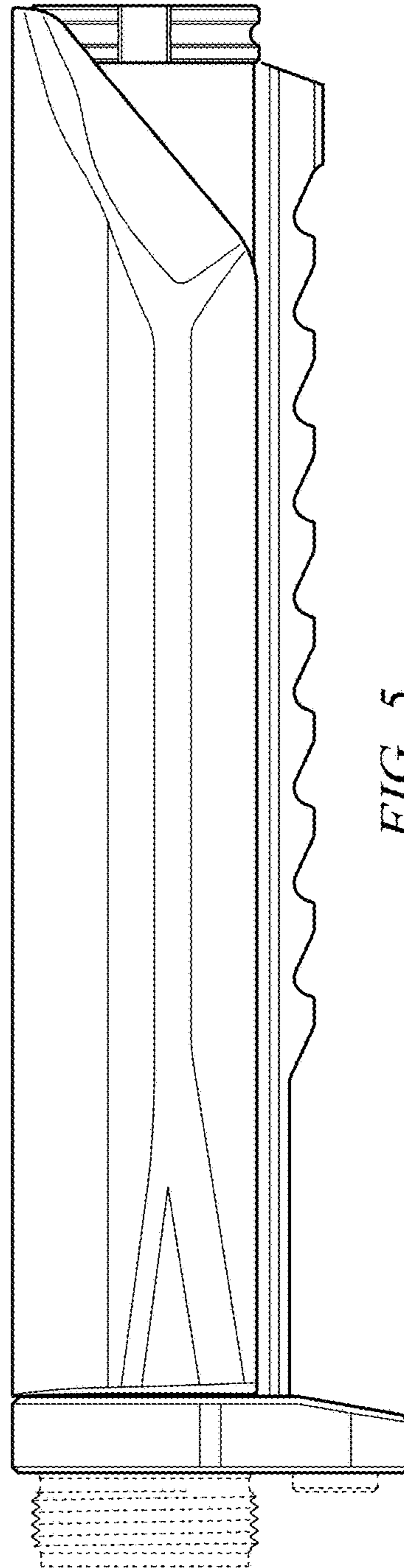


FIG. 5

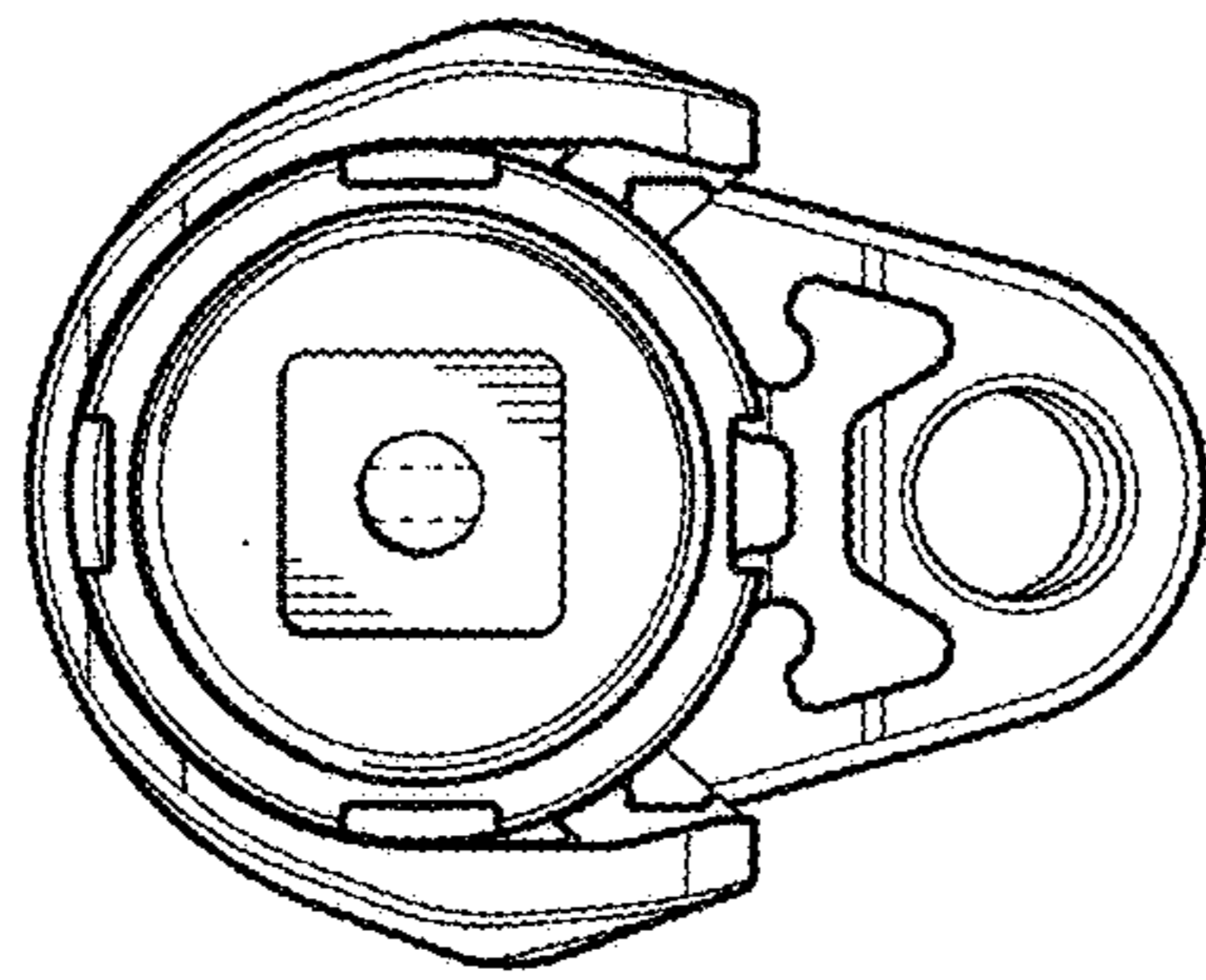


FIG. 7

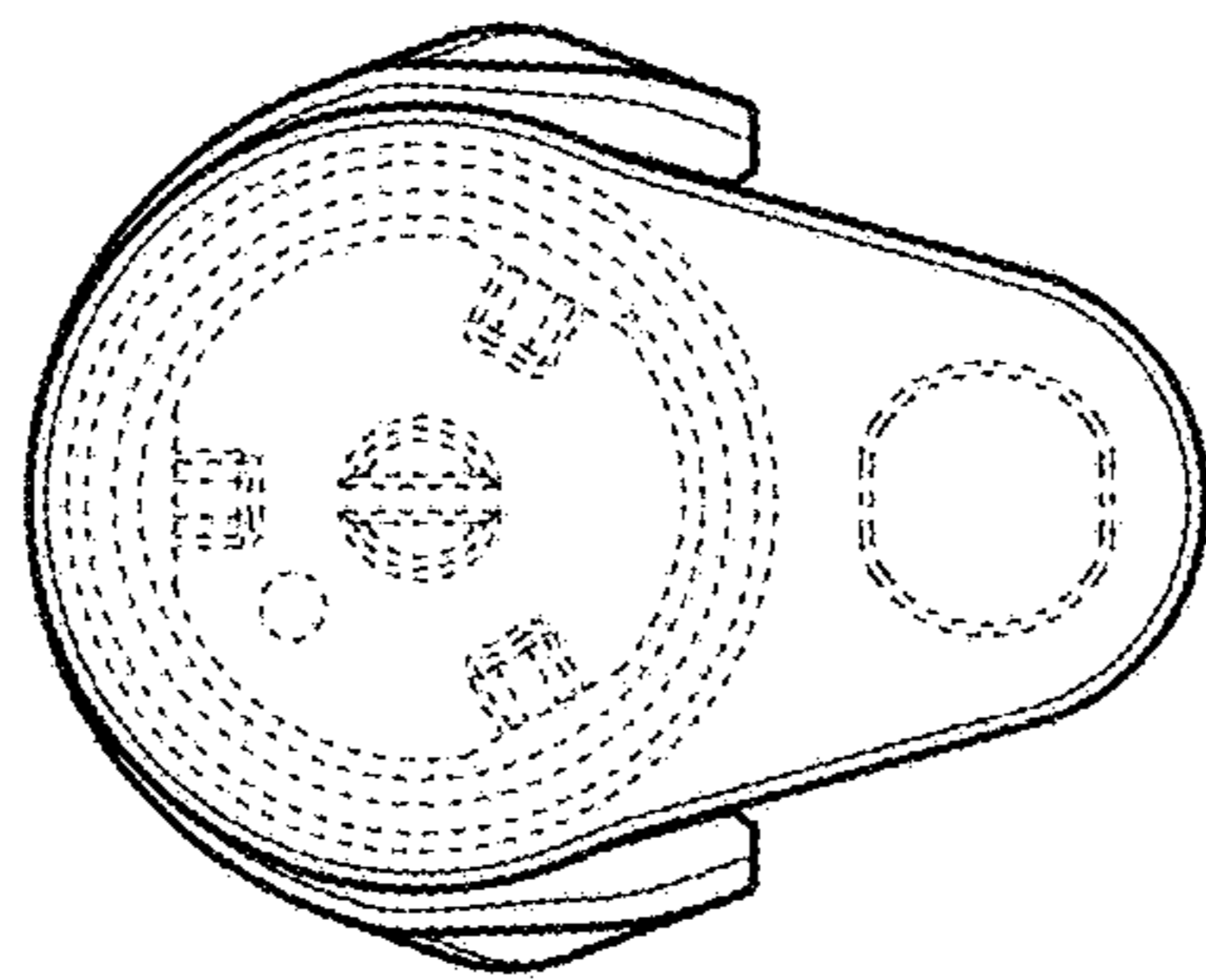


FIG. 6



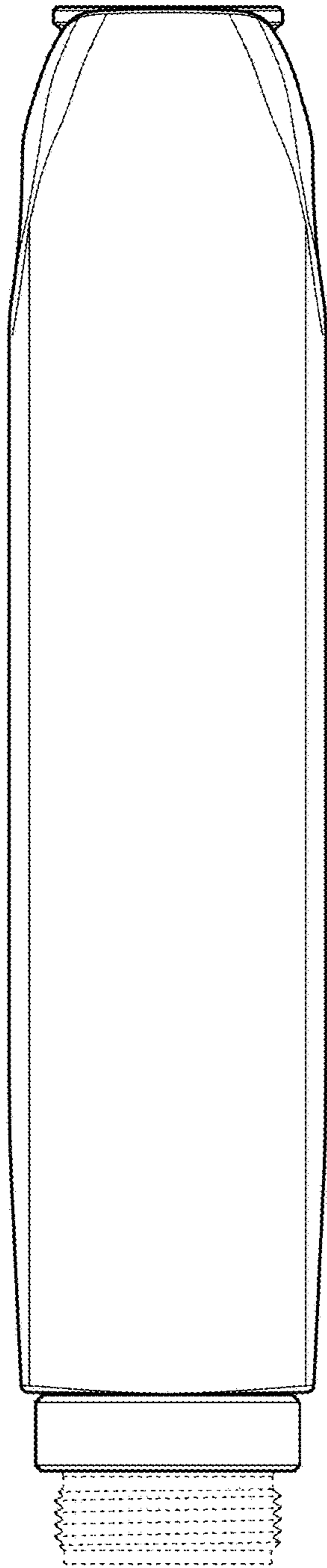


FIG. 8

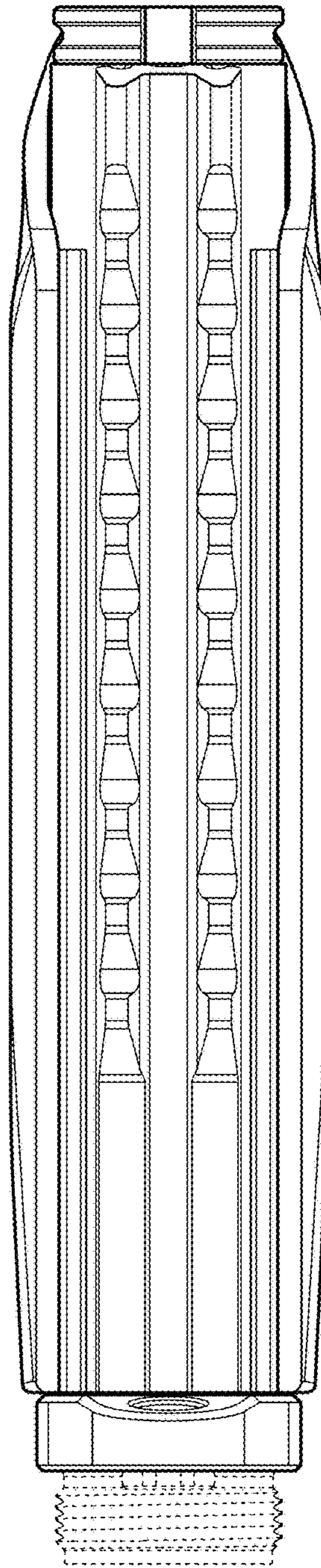


FIG. 9