



US00D798982S

(12) **United States Design Patent** (10) **Patent No.:** **US D798,982 S**
O'Brien et al. (45) **Date of Patent:** **** Oct. 3, 2017**

(54) **FRAME FOR PLAYSET**
(71) Applicant: **BRAND 44 TRADING LLC**, Denver, CO (US)
(72) Inventors: **Ed O'Brien**, Denver, CO (US); **Amanda Lacy**, Portland, ME (US); **Xuliang Tan**, Beijing (CN)
(73) Assignee: **Brand 44 Trading LLC**, Denver, CO (US)
(**) Term: **15 Years**
(21) Appl. No.: **29/550,707**
(22) Filed: **Jan. 6, 2016**
(51) **LOC (10) Cl.** **21-02**
(52) **U.S. Cl.**
USPC **D21/797**; D21/814
(58) **Field of Classification Search**
USPC D21/811, 814, 815, 826, 686, 679, 691, D21/797; D25/102, 126, 132, 199; D11/131, 141, 148, 152, 131.1; D28/91.2; D8/1; D7/688, 699, 669; 482/33, 35, 83, 87, 90, 112
CPC A63B 9/00; A63B 2009/008; A63B 71/00
See application file for complete search history.

D554,227 S * 10/2007 Yates D21/826
D568,434 S * 5/2008 Wingerstahn D21/811
D595,800 S * 7/2009 VanElverdinghe D21/814
D615,607 S * 5/2010 Hwang D21/826
D615,769 S * 5/2010 Bugio D6/403
D620,066 S * 7/2010 Kohler D21/826
D660,933 S * 5/2012 Mathiesen D21/814
(Continued)

OTHER PUBLICATIONS

Blackberry Eating, posted Mar. 27, 2015, [online], [site visited on May 23, 2017]. Available from Internet, <URL: https://blackberryeating.com/2015/03/27/photo-friday-72/>.*
(Continued)

Primary Examiner — Sheryl Lane
Assistant Examiner — Samantha Wood
(74) *Attorney, Agent, or Firm* — Westerman, Hattori, Daniels & Adrian, LLP

(57) **CLAIM**

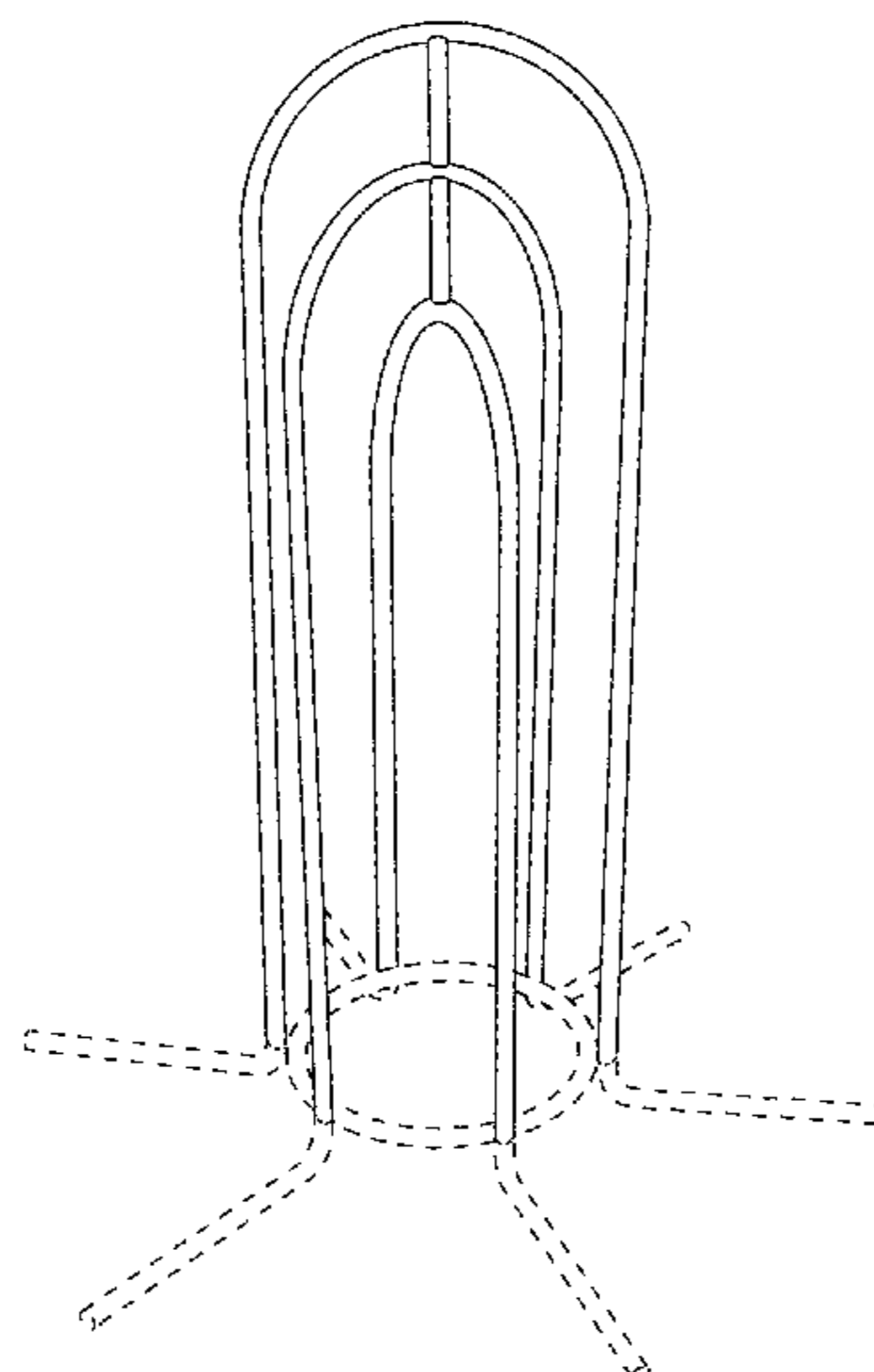
The ornamental design for a frame for playset, as shown and described.

DESCRIPTION

FIG. 1 is a top perspective view of the frame for playset; FIG. 2 is a left side view thereof; FIG. 3 is a right side view thereof; FIG. 4 is a front view thereof; FIG. 5 is a rear view thereof; FIG. 6 is a top view thereof; FIG. 7 is a bottom view thereof; and, FIG. 8 is a view illustrating an example of the frame for playset in use, with a tube surrounding the base thereof. The broken lines showing portions of the frame for playset are included for the purpose of illustrating the environmental structure and form no part of the claimed design.

1 Claim, 7 Drawing Sheets

(56) **References Cited**
U.S. PATENT DOCUMENTS
D160,419 S * 10/1950 Packer 482/36
D203,159 S * 12/1965 Blum D25/132
D211,810 S * 7/1968 Maxwell D8/1
D215,164 S * 9/1969 Wormser D21/827
D225,344 S * 12/1972 Henning D21/826
3,765,673 A * 10/1973 Daw A63B 5/11
482/26
D256,107 S * 7/1980 Mitchener D11/148
D323,370 S * 1/1992 Bryant D21/834
5,820,472 A * 10/1998 Briggs A63B 9/00
472/128
D420,073 S * 2/2000 Alessandri D21/691



(56)

References Cited

U.S. PATENT DOCUMENTS

D707,779 S * 6/2014 Elson D21/814
D714,412 S * 9/2014 Astle D21/814
8,968,048 B2 * 3/2015 Oren A63H 33/006
135/124
9,033,853 B1 * 5/2015 McMurtrey A63B 5/00
482/112
D745,618 S * 12/2015 McMurtrey D21/797
D753,018 S * 4/2016 Hawkins D11/141
2008/0032807 A1 * 2/2008 King A63B 9/00
472/136

OTHER PUBLICATIONS

Amazon, RSVP Endurance Mini Whisk, first available May 5, 2003, [online], [site visited on May 23, 2017]. Available from Internet, <URL: <https://www.amazon.com/RSVP-Endurance%C2%AE-Mini-Whisks-set/dp/B000F7HVT6>>.*

* cited by examiner

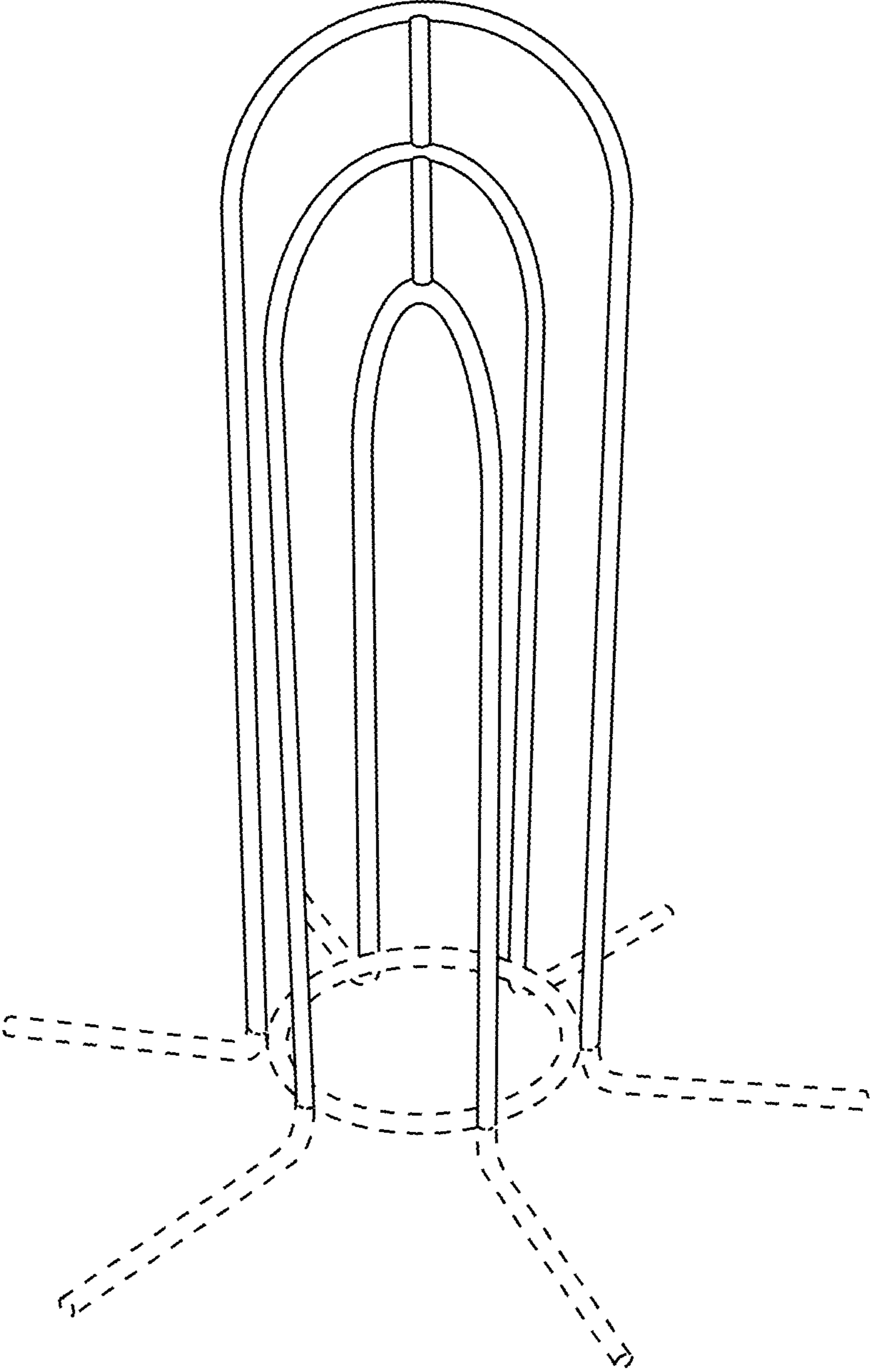


Fig. 1

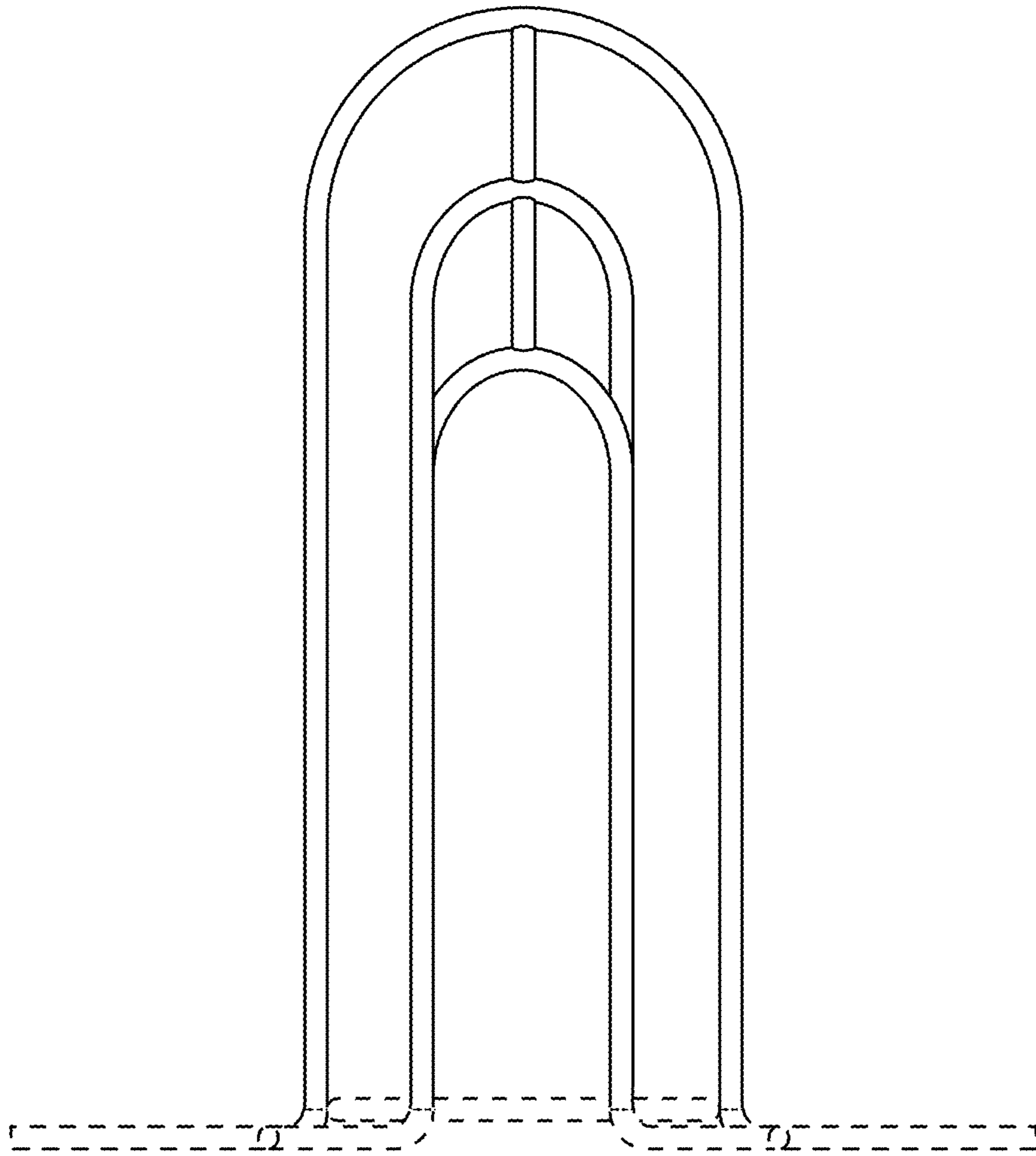


Fig. 2

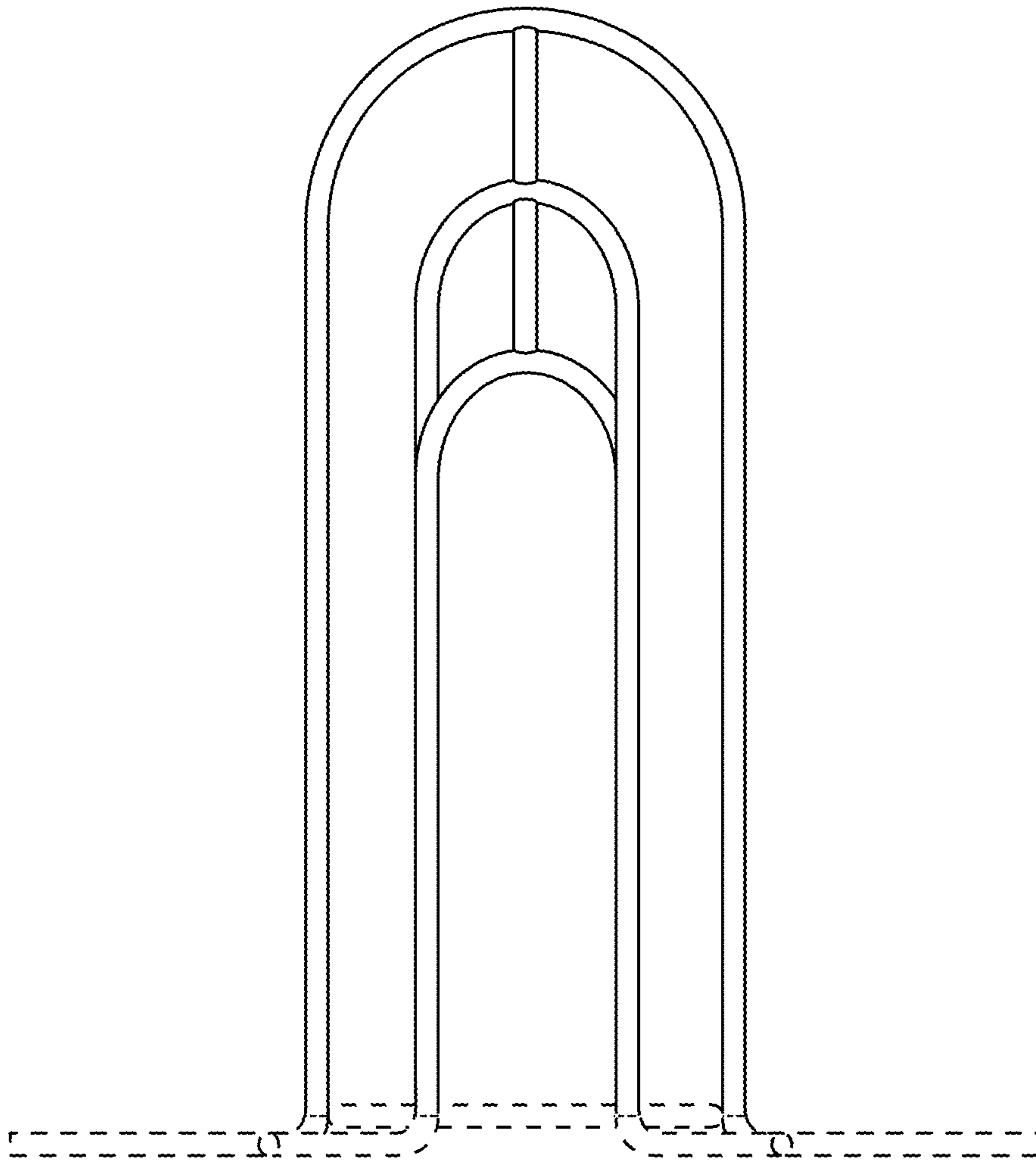


Fig. 3

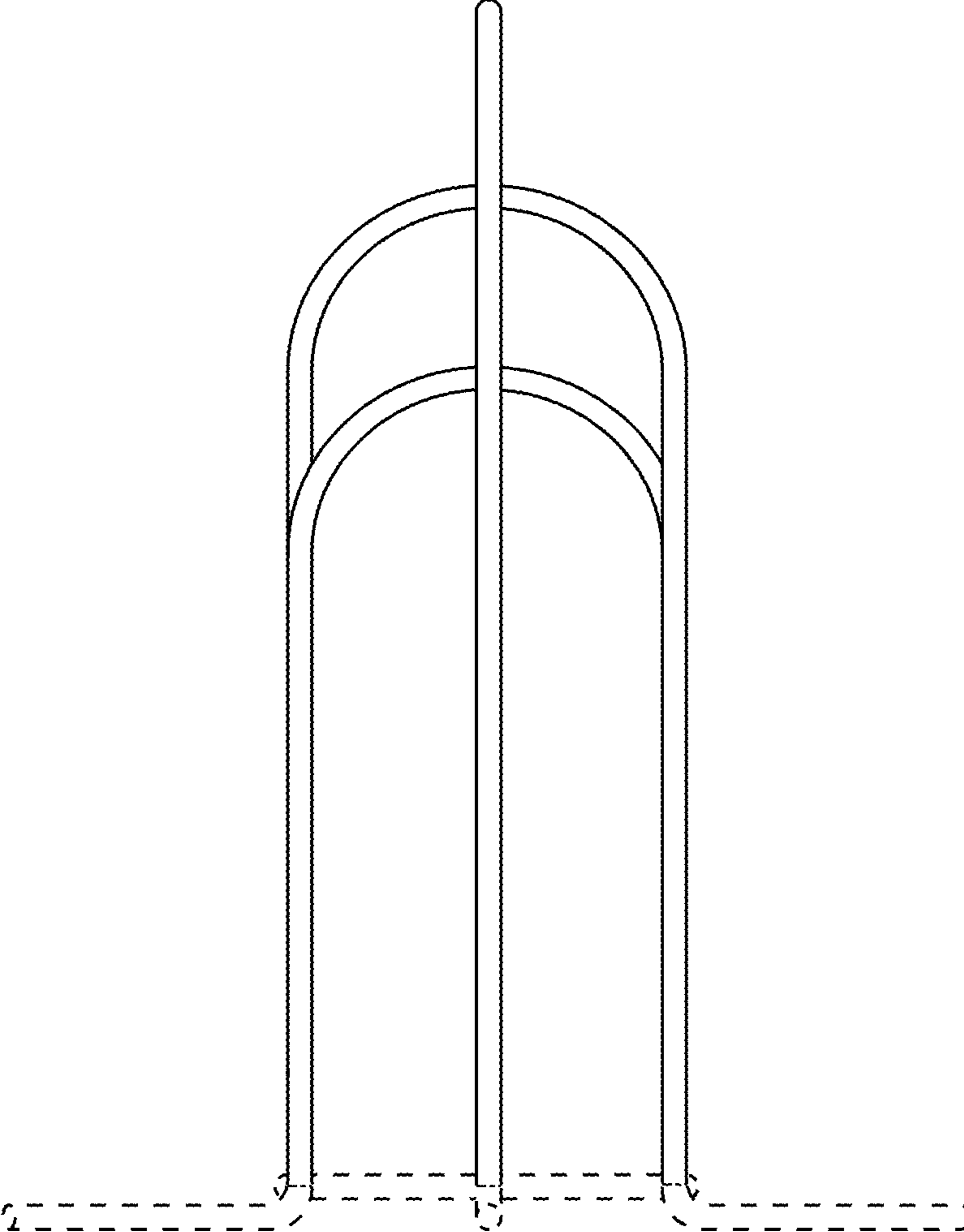


Fig. 4

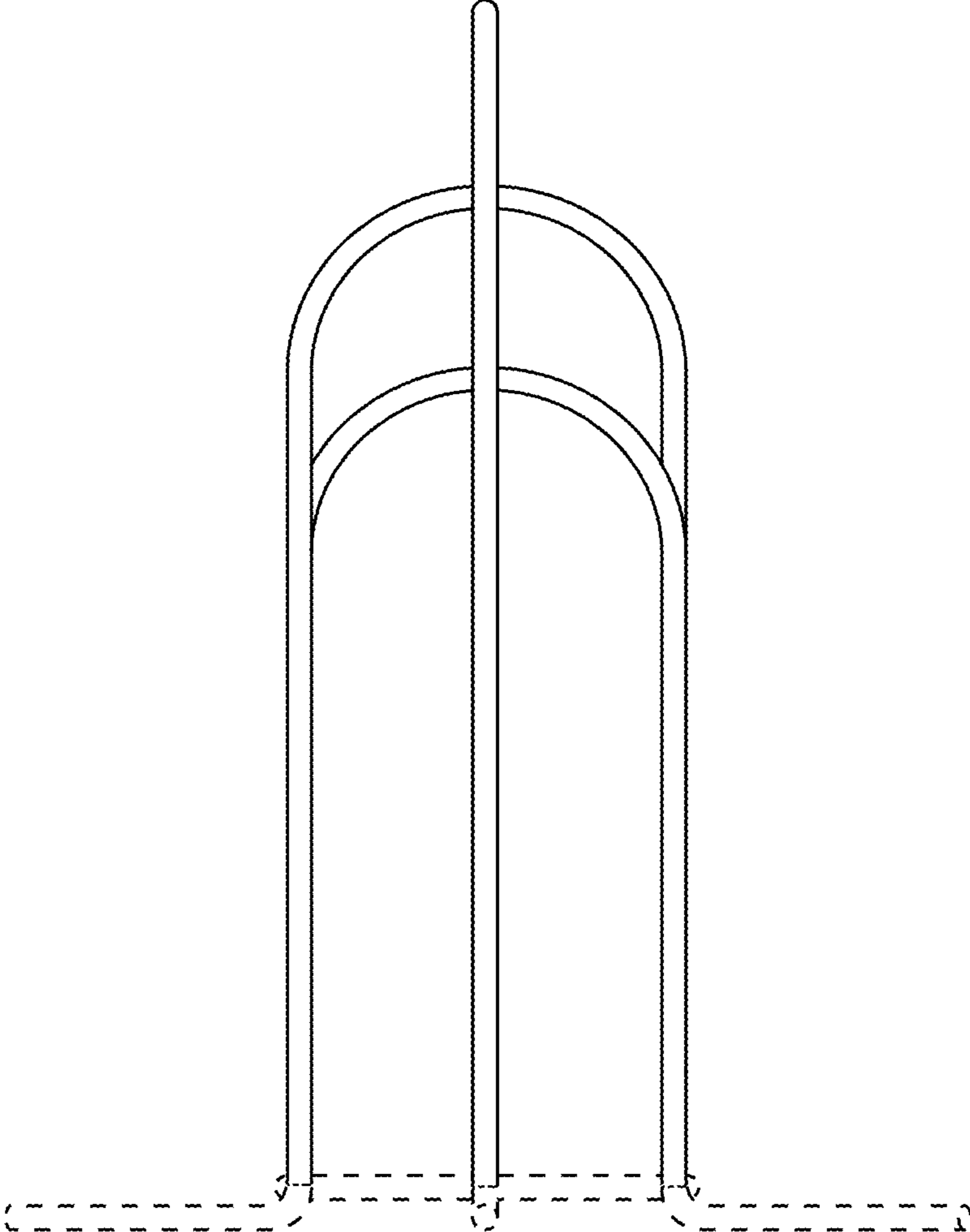


Fig. 5

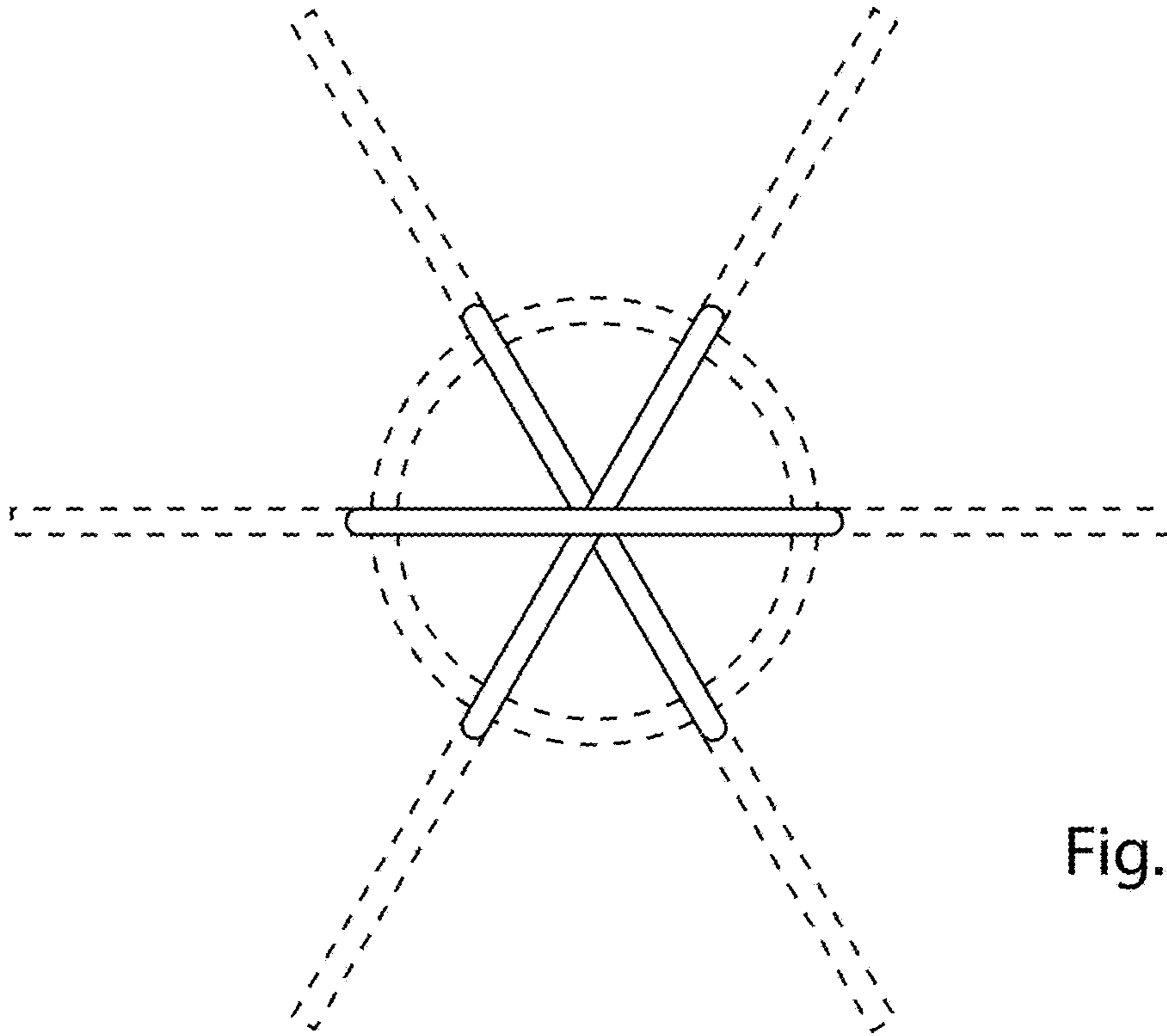


Fig. 6

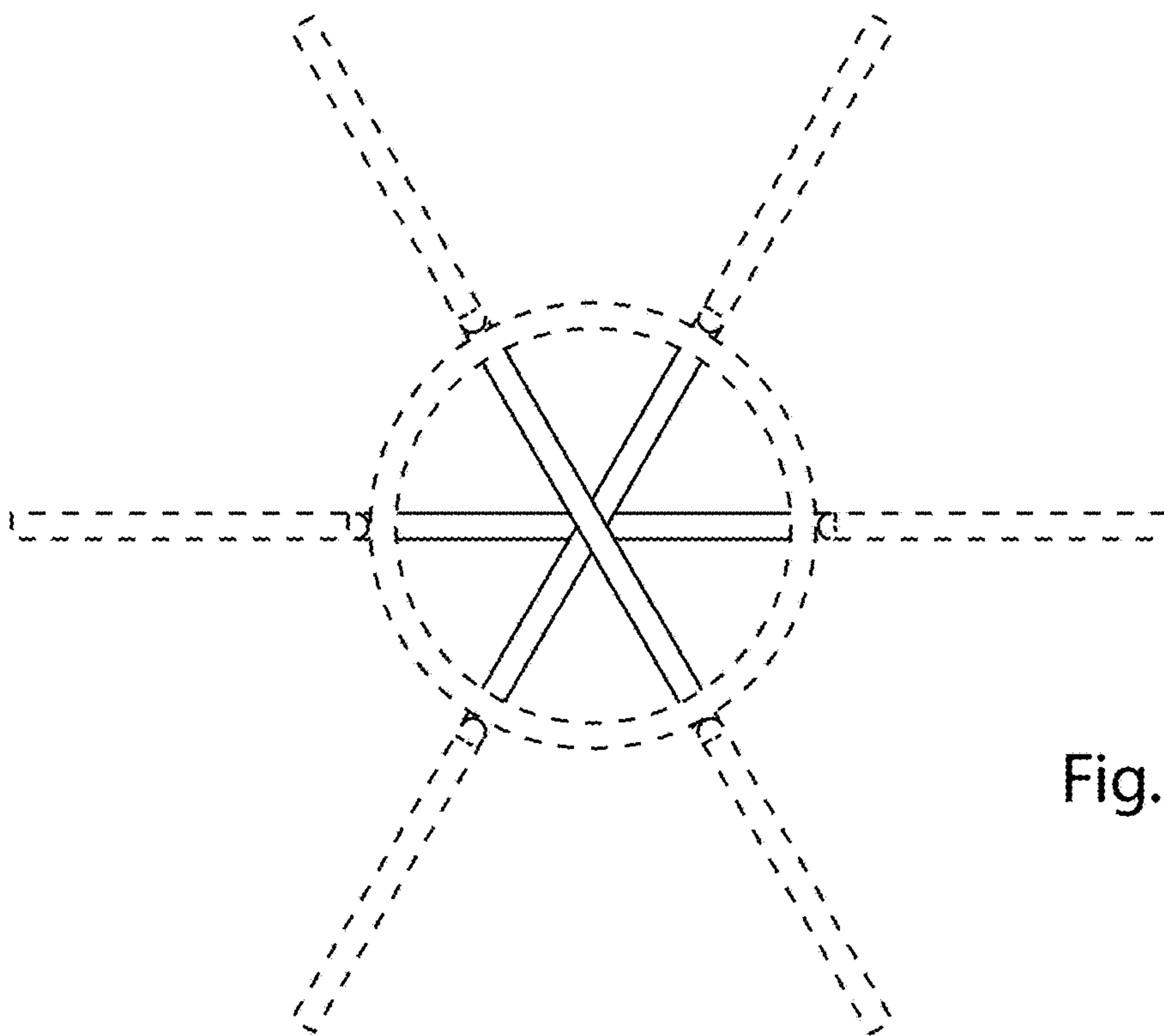


Fig. 7

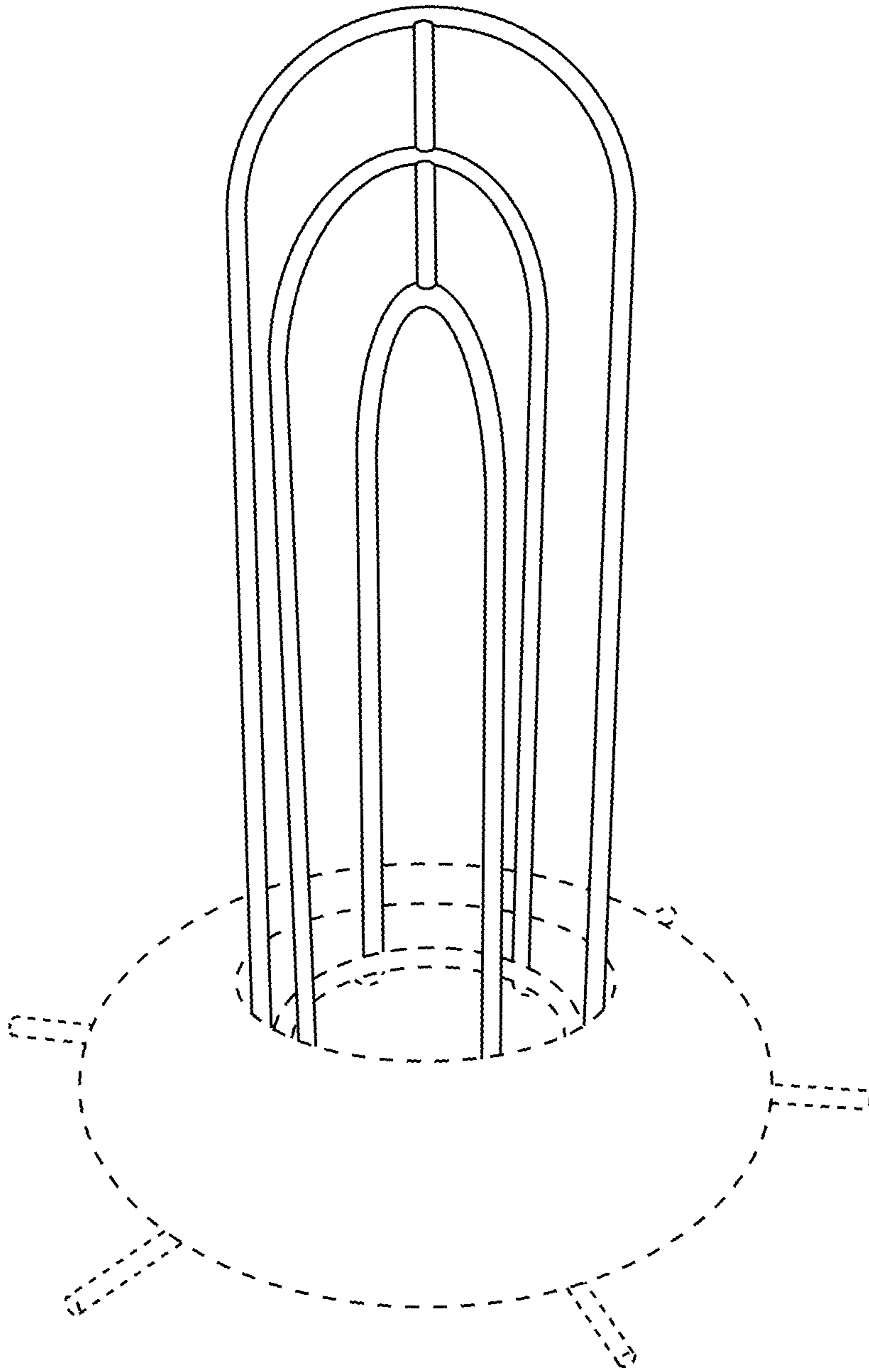


Fig. 8