



US00D798981S

(12) **United States Design Patent** (10) **Patent No.:** **US D798,981 S**
Becktor et al. (45) **Date of Patent:** **** Oct. 3, 2017**

(54) **GOLF CLUB HEAD**

(71) Applicant: **DUNLOP SPORTS CO. LTD.**,
Kobe-shi, Hyogo (JP)
(72) Inventors: **Mika Becktor**, New York, NY (US);
Keith Dolezel, Covina, CA (US)
(73) Assignee: **DUNLOP SPORTS CO. LTD.**, Kobe
(JP)

(**) Term: **15 Years**

(21) Appl. No.: **29/572,127**

(22) Filed: **Jul. 25, 2016**

(51) **LOC (10) Cl.** **21-02**

(52) **U.S. Cl.**
USPC **D21/759**

(58) **Field of Classification Search**
USPC D21/733-752, 759
CPC A63B 53/00; A63B 53/04; A63B 53/007;
A63B 53/065; A63B 53/0487; A63B
60/00; A63B 60/46; A63B 2053/0416;
A63B 2053/042; A63B 2053/0425; A63B
2053/0429; A63B 2053/0445
See application file for complete search history.

(56) **References Cited**

U.S. PATENT DOCUMENTS

D57,980 S *	5/1921	Kraeuter	473/330
D63,284 S *	11/1923	Challis	473/331
1,494,494 A *	5/1924	Lippincott	A63B 53/04 473/342
D79,684 S *	10/1929	Munro-Spencer	D21/736
D138,380 S *	7/1944	Myers et al.	473/325
D411,275 S *	6/1999	Bottema	D21/759
D415,232 S *	10/1999	Solheim	D21/759
D415,809 S *	10/1999	Bottema	D21/736
D416,062 S *	11/1999	Solheim	D21/759
D416,969 S *	11/1999	Solheim	D21/759

D416,970 S *	11/1999	Solheim	D21/759
D429,302 S *	8/2000	Antonious	D21/759
D430,914 S *	9/2000	Antonious	D21/759
D431,853 S *	10/2000	Antonious	D21/759
D444,835 S *	7/2001	Wahl	D21/759
6,277,033 B1 *	8/2001	Krumme	A63B 53/04 473/329
D458,331 S *	6/2002	Wahl	D21/759
D466,173 S *	11/2002	Sizemore, Jr.	D21/736
D478,142 S *	8/2003	Toulon	D21/759
D500,823 S *	1/2005	Aldrich	D21/759
D537,898 S *	3/2007	Kuan	D21/759
D548,299 S *	8/2007	Nguyen	D21/759
D549,795 S *	8/2007	Rollinson	D21/759
D552,699 S *	10/2007	Rollinson	D21/759
D588,222 S *	3/2009	Takahashi	D21/759
D588,666 S *	3/2009	Takahashi	D21/759

(Continued)

Primary Examiner — Mitchell Siegel

(74) Attorney, Agent, or Firm — Oliff PLC

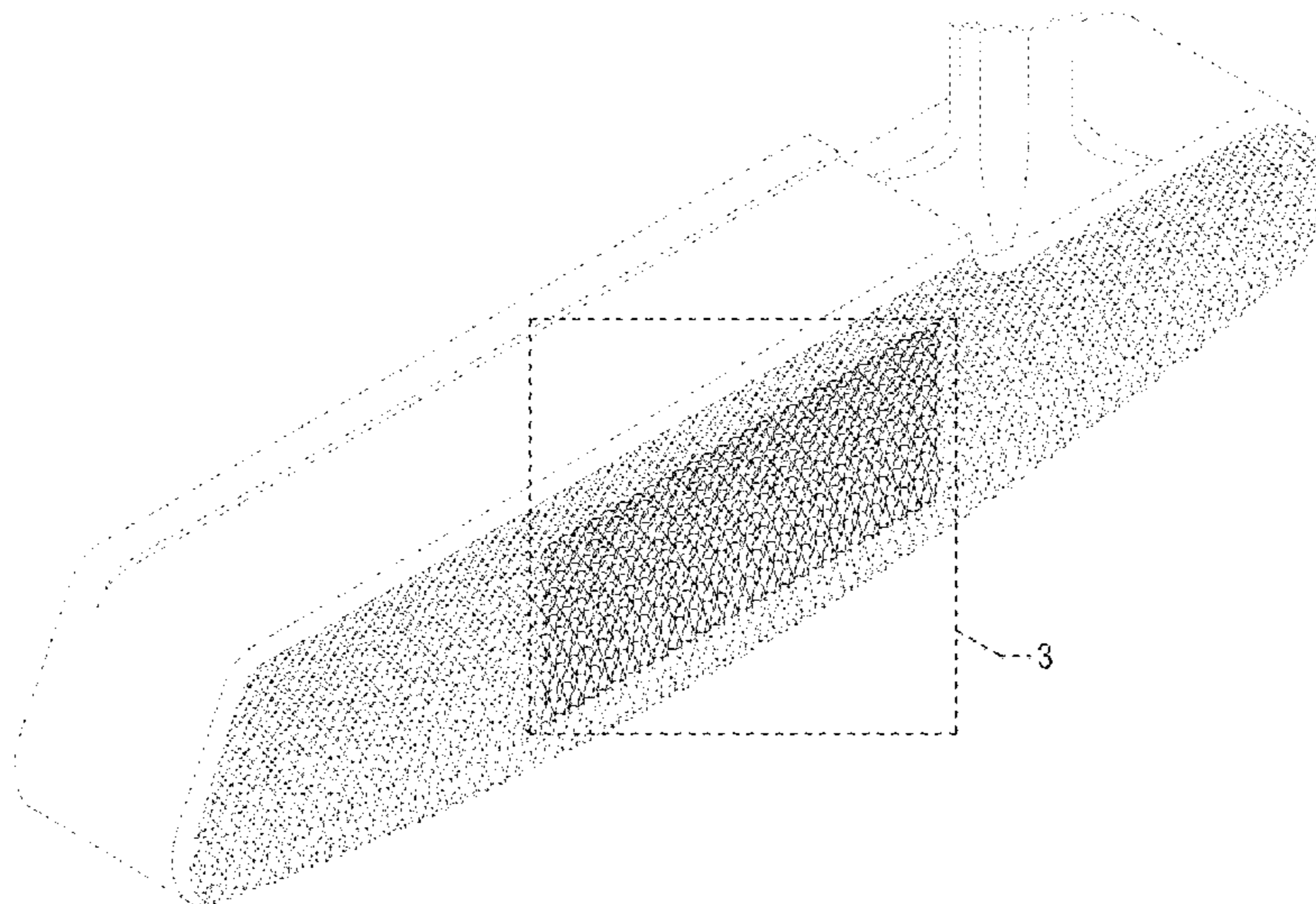
(57) **CLAIM**

The ornamental design for a golf club head, as shown and described.

DESCRIPTION

FIG. 1 is a front, top, toe-side perspective view of a first embodiment the golf club head;
FIG. 2 is a front elevational view thereof;
FIG. 3 is an enlargement of area 3 in FIG. 1;
FIG. 4 is an enlargement of area 4 in FIG. 2;
FIG. 5 is a cross-sectional view along line 5-5 in FIG. 4;
FIG. 6 is a cross-sectional view along line 6-6 in FIG. 4;
FIG. 7 is an enlargement of area 7 in FIG. 5; and,
FIG. 8 is an enlargement of area 8 in FIG. 6.
The broken lines depict unclaimed parts of the golf club head or enlargement areas, and thus form no part of the claimed design. The dot-dash chain lines depict boundaries of the claimed subject matter, and thus form no part of the claimed design.

1 Claim, 8 Drawing Sheets



(56)

References Cited

U.S. PATENT DOCUMENTS

D594,921 S *	6/2009	Bettinardi	D21/759
D606,605 S *	12/2009	Wada	D21/759
D607,070 S *	12/2009	Wada	D21/759
D607,071 S *	12/2009	Wada	D21/759
D611,553 S *	3/2010	Cameron	D21/759
D615,140 S *	5/2010	Franklin	D21/759
D617,406 S *	6/2010	Carlyle	D21/759
D633,967 S *	3/2011	Carlyle	D21/759
D639,369 S *	6/2011	Miyamichi	D21/759
D672,418 S *	12/2012	Rollinson	D21/759
D707,316 S *	6/2014	Aguayo	D21/759
D707,317 S *	6/2014	Aguayo	D21/759

* cited by examiner

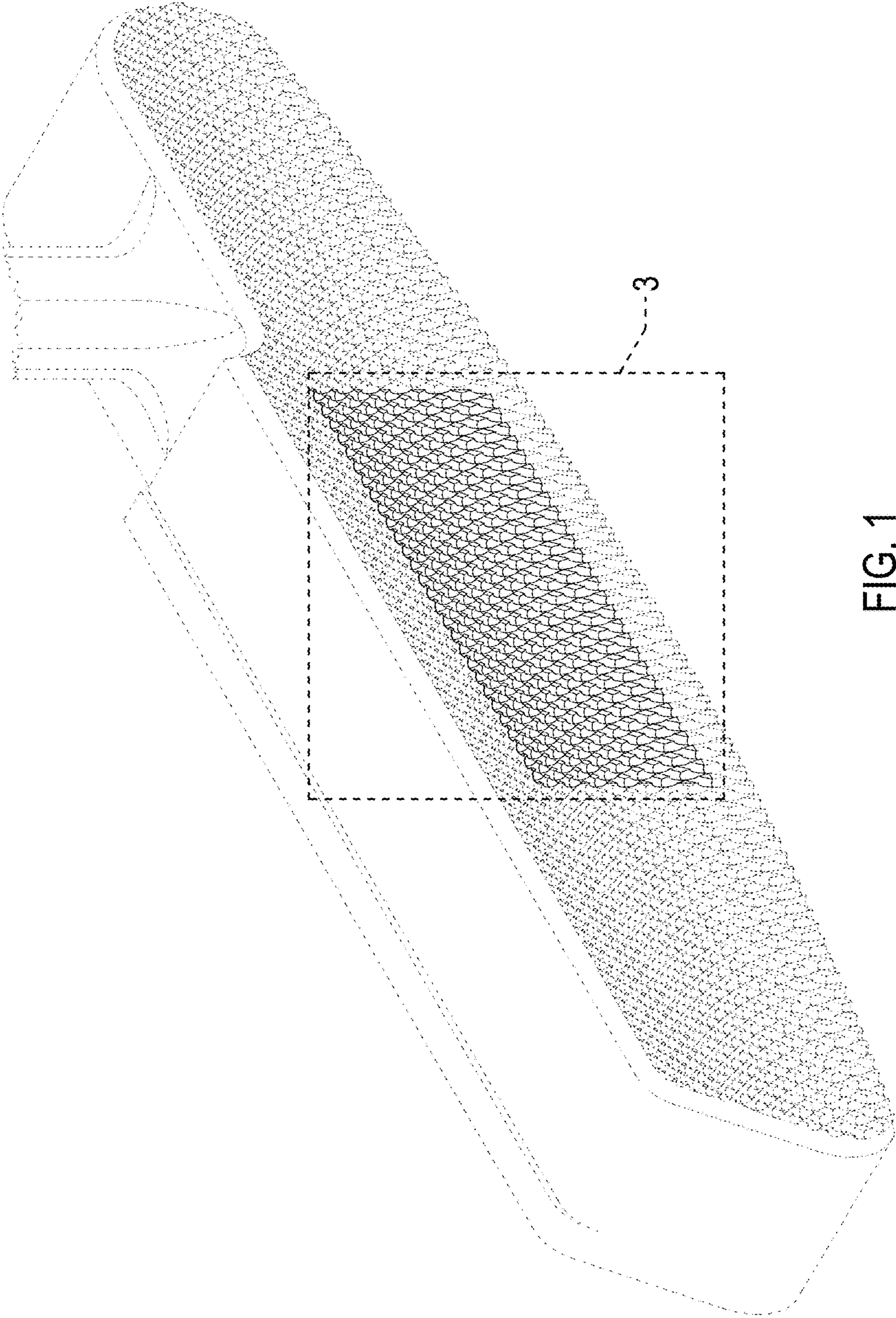


FIG. 1

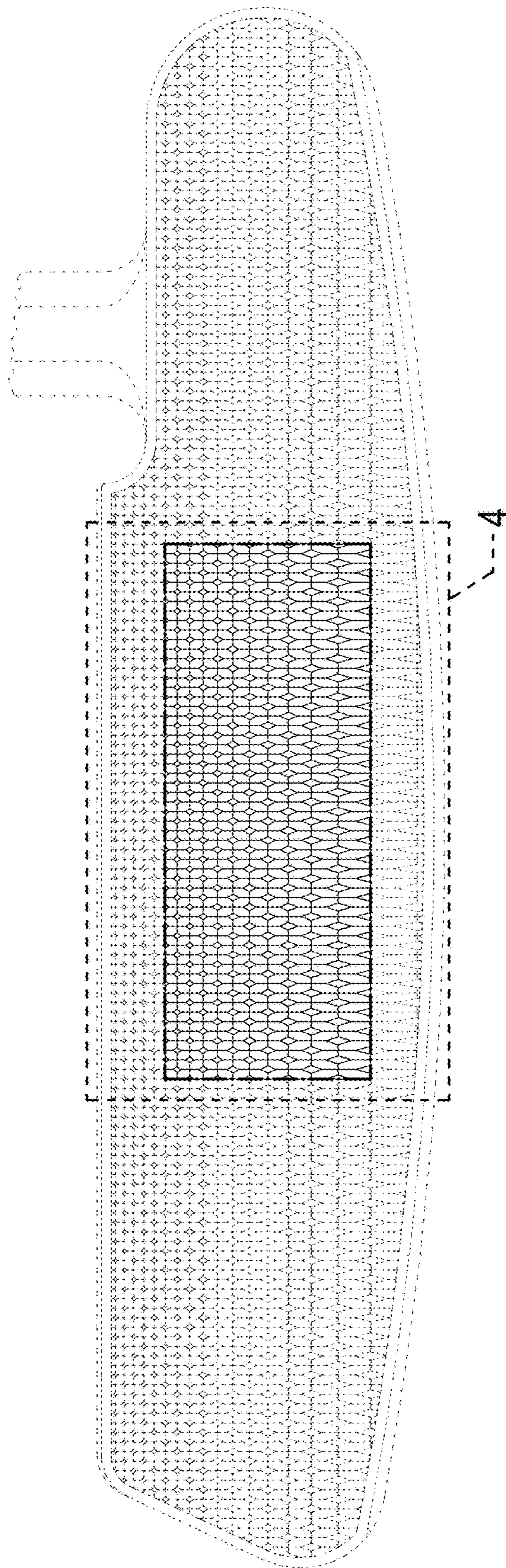


FIG. 2

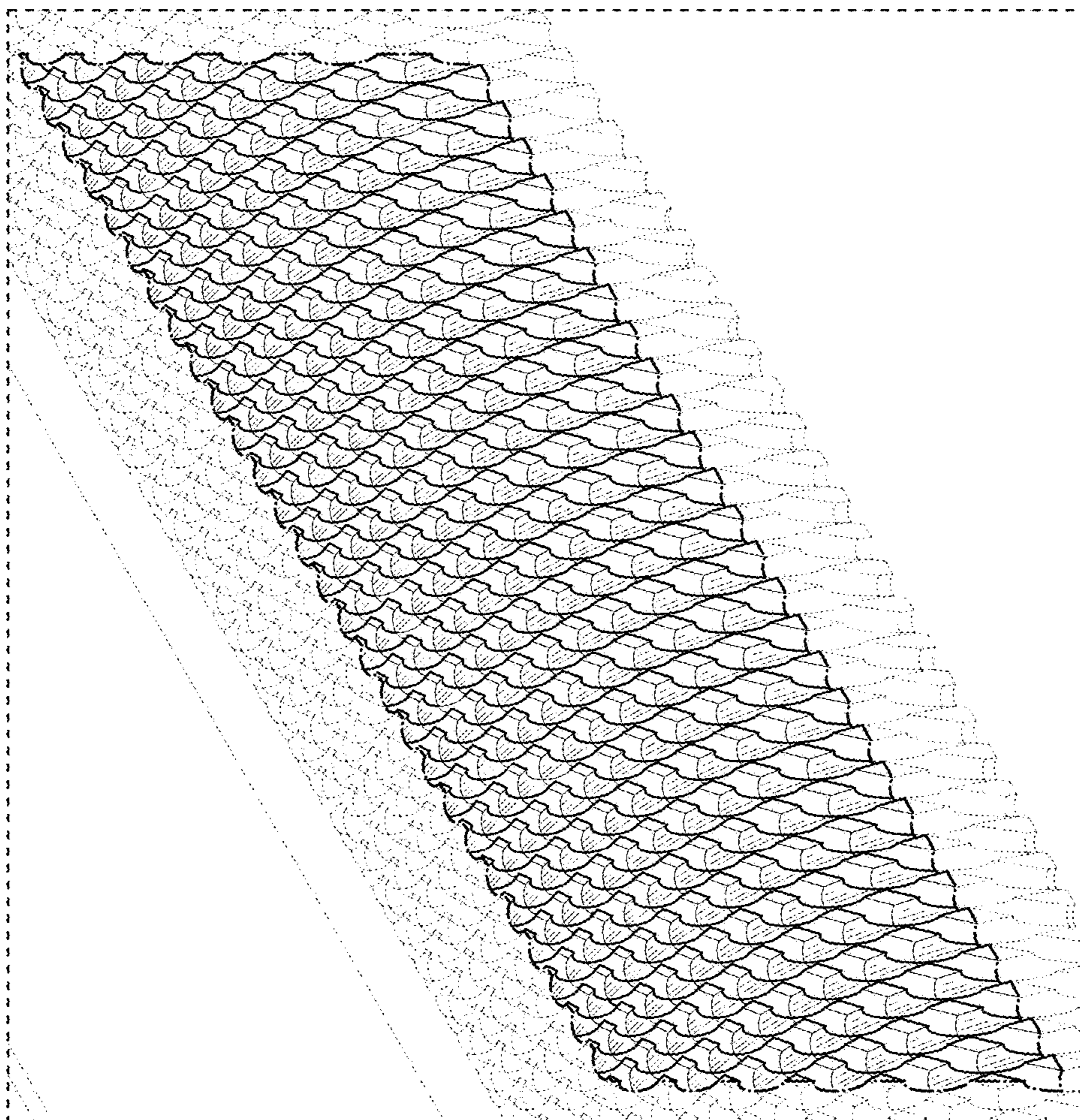


FIG. 3

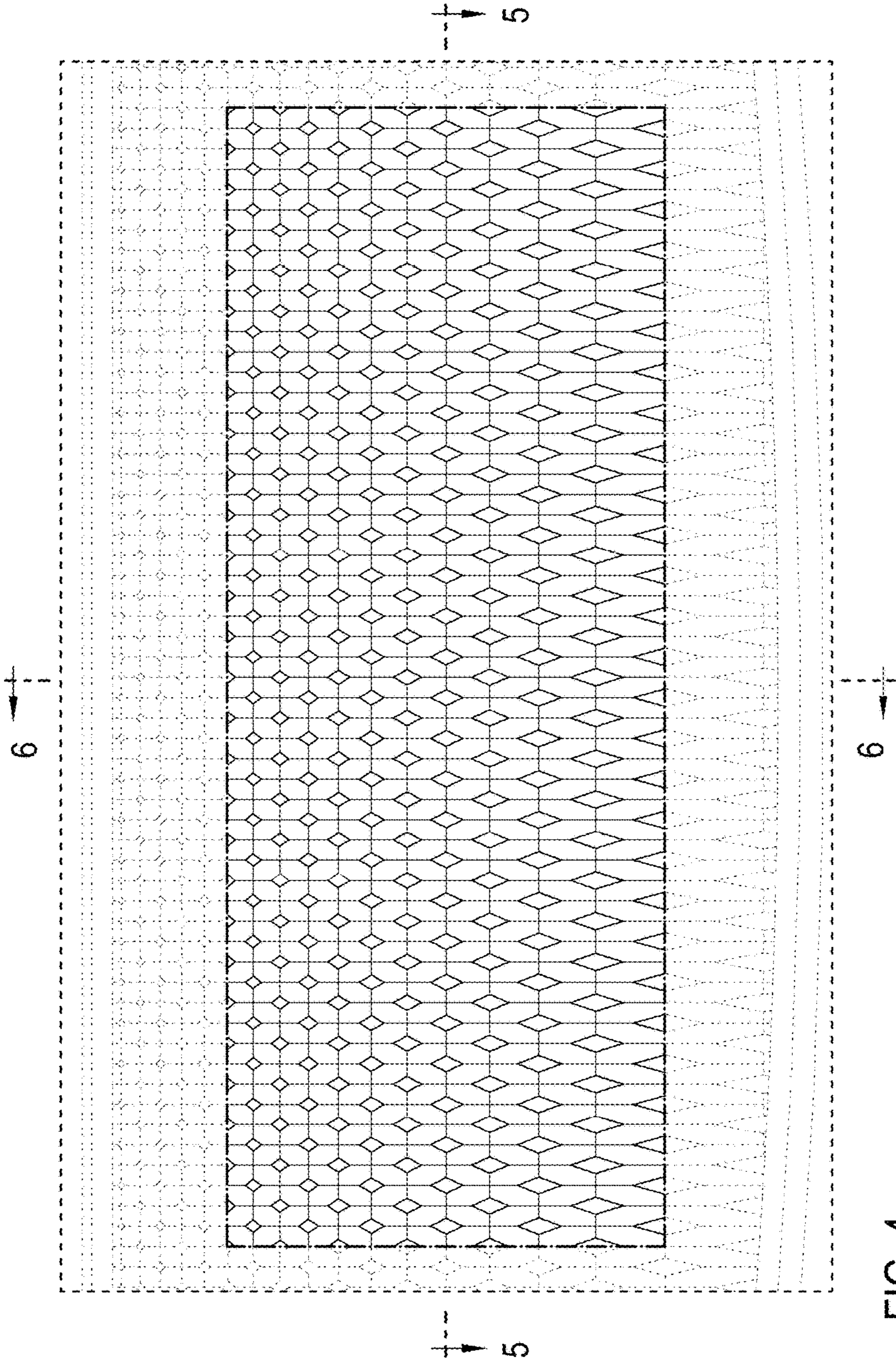


FIG. 4

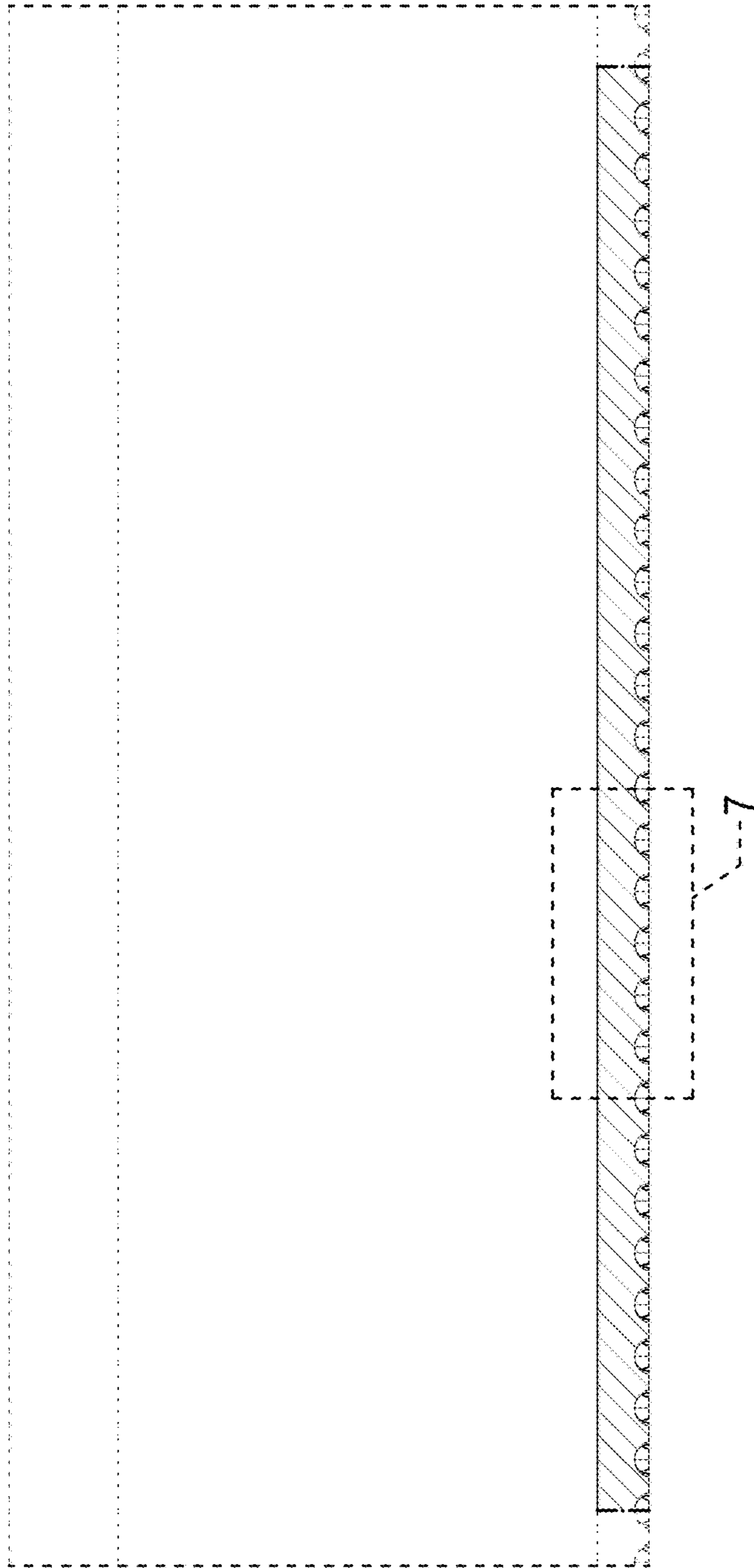


FIG. 5

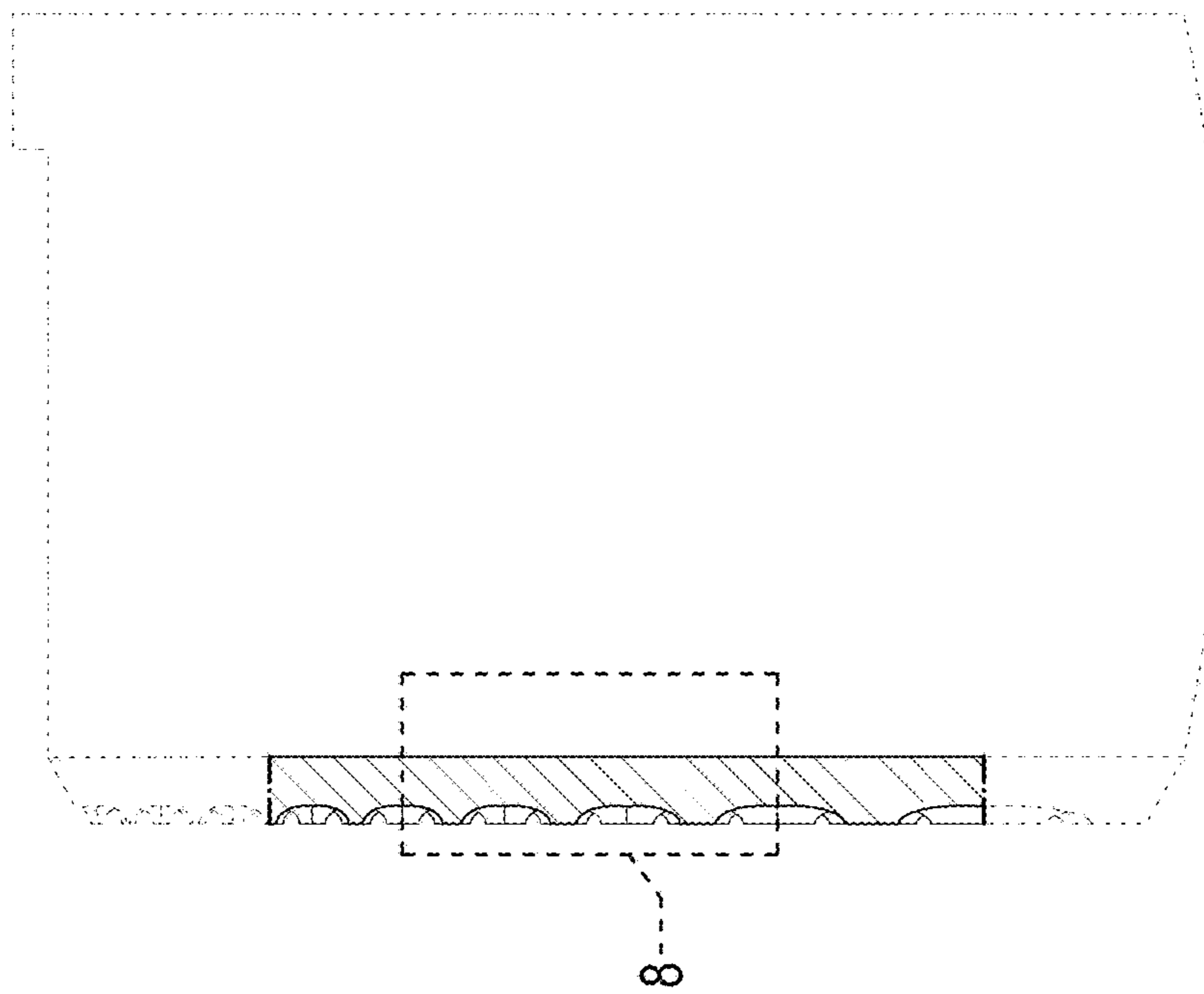


FIG. 6

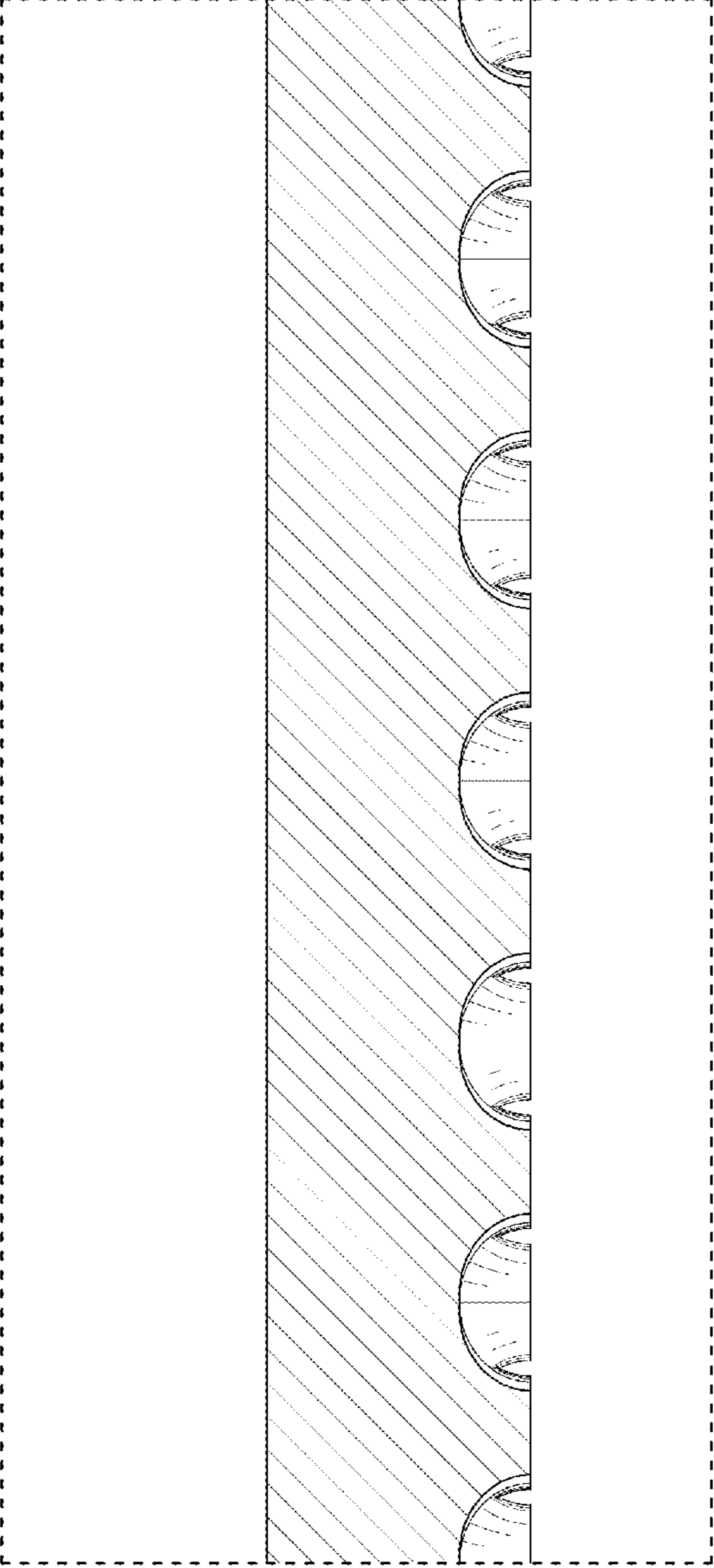


FIG. 7

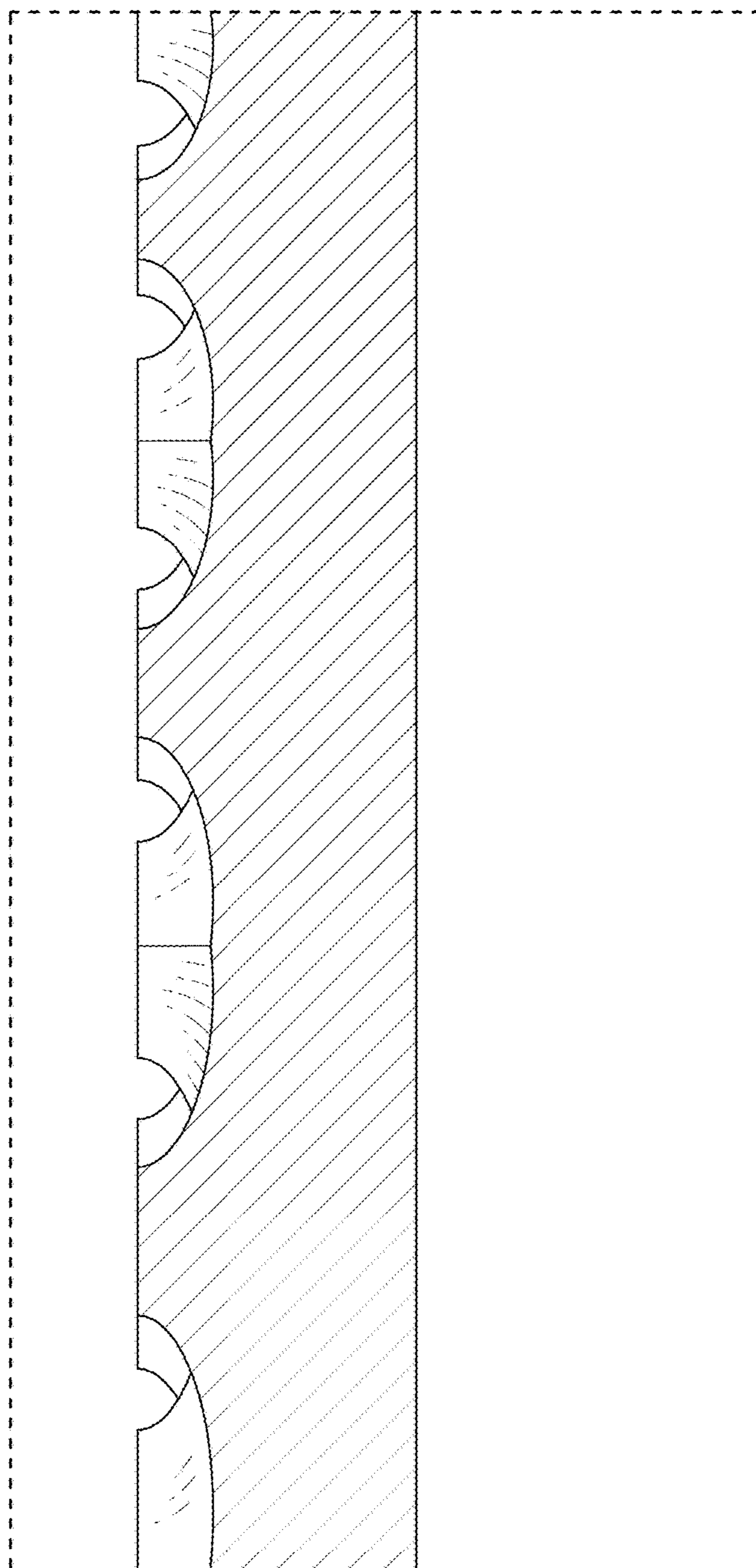


FIG. 8