



US00D798979S

(12) **United States Design Patent** (10) **Patent No.:** **US D798,979 S**  
**Becktor** (45) **Date of Patent:** **\*\* Oct. 3, 2017**

(54) **GOLF CLUB HEAD**  
(71) Applicant: **DUNLOP SPORTS CO. LTD.,**  
Kobe-shi, Hyogo (JP)  
(72) Inventor: **Mika Becktor**, New York, NY (US)  
(73) Assignee: **DUNLOP SPORTS CO. LTD.,** Kobe  
(JP)  
(\*\*) Term: **15 Years**  
(21) Appl. No.: **29/571,940**  
(22) Filed: **Jul. 22, 2016**  
(51) **LOC (10) Cl.** ..... **21-02**  
(52) **U.S. Cl.**  
USPC ..... **D21/759**  
(58) **Field of Classification Search**  
USPC ..... D21/733-752, 759  
CPC ..... A63B 53/00; A63B 53/04; A63B 53/007;  
A63B 53/065; A63B 53/0487; A63B  
60/00; A63B 60/46; A63B 2053/0416;  
A63B 2053/042; A63B 2053/0425; A63B  
2053/0429; A63B 2053/0445  
See application file for complete search history.

(56) **References Cited**  
U.S. PATENT DOCUMENTS  
D57,980 S \* 5/1921 Kraeuter ..... 473/330  
D63,284 S \* 11/1923 Challis ..... 473/331  
1,494,494 A \* 5/1924 Lippincott ..... A63B 53/04  
473/342  
D79,684 S \* 10/1929 Munro-Spencer ..... D21/736  
D138,380 S \* 7/1944 Myers et al. .... 473/325  
D411,275 S \* 6/1999 Bottema ..... D21/759  
D415,232 S \* 10/1999 Solheim ..... D21/759  
D415,809 S \* 10/1999 Bottema ..... D21/736  
D416,062 S \* 11/1999 Solheim ..... D21/759  
D416,969 S \* 11/1999 Solheim ..... D21/759  
D416,970 S \* 11/1999 Solheim ..... D21/759

D429,302 S \* 8/2000 Antonious ..... D21/759  
D430,914 S \* 9/2000 Antonious ..... D21/759  
D431,853 S \* 10/2000 Antonious ..... D21/759  
D444,835 S \* 7/2001 Wahl ..... D21/759  
6,277,033 B1 \* 8/2001 Krumme ..... A63B 53/04  
473/329  
D458,331 S \* 6/2002 Wahl ..... D21/759  
D466,173 S \* 11/2002 Sizemore, Jr. .... D21/736  
D478,142 S \* 8/2003 Toulon ..... D21/759  
D500,823 S \* 1/2005 Aldrich ..... D21/759  
D537,898 S \* 3/2007 Kuan ..... D21/759  
D548,299 S \* 8/2007 Nguyen ..... D21/759  
D549,795 S \* 8/2007 Rollinson ..... D21/759  
D552,699 S \* 10/2007 Rollinson ..... D21/759  
D588,222 S \* 3/2009 Takahashi ..... D21/759  
D588,666 S \* 3/2009 Takahashi ..... D21/759  
D594,921 S \* 6/2009 Bettinardi ..... D21/759  
D606,605 S \* 12/2009 Wada ..... D21/759  
D607,070 S \* 12/2009 Wada ..... D21/759

(Continued)

Primary Examiner — Mitchell Siegel  
(74) Attorney, Agent, or Firm — Oliff PLC

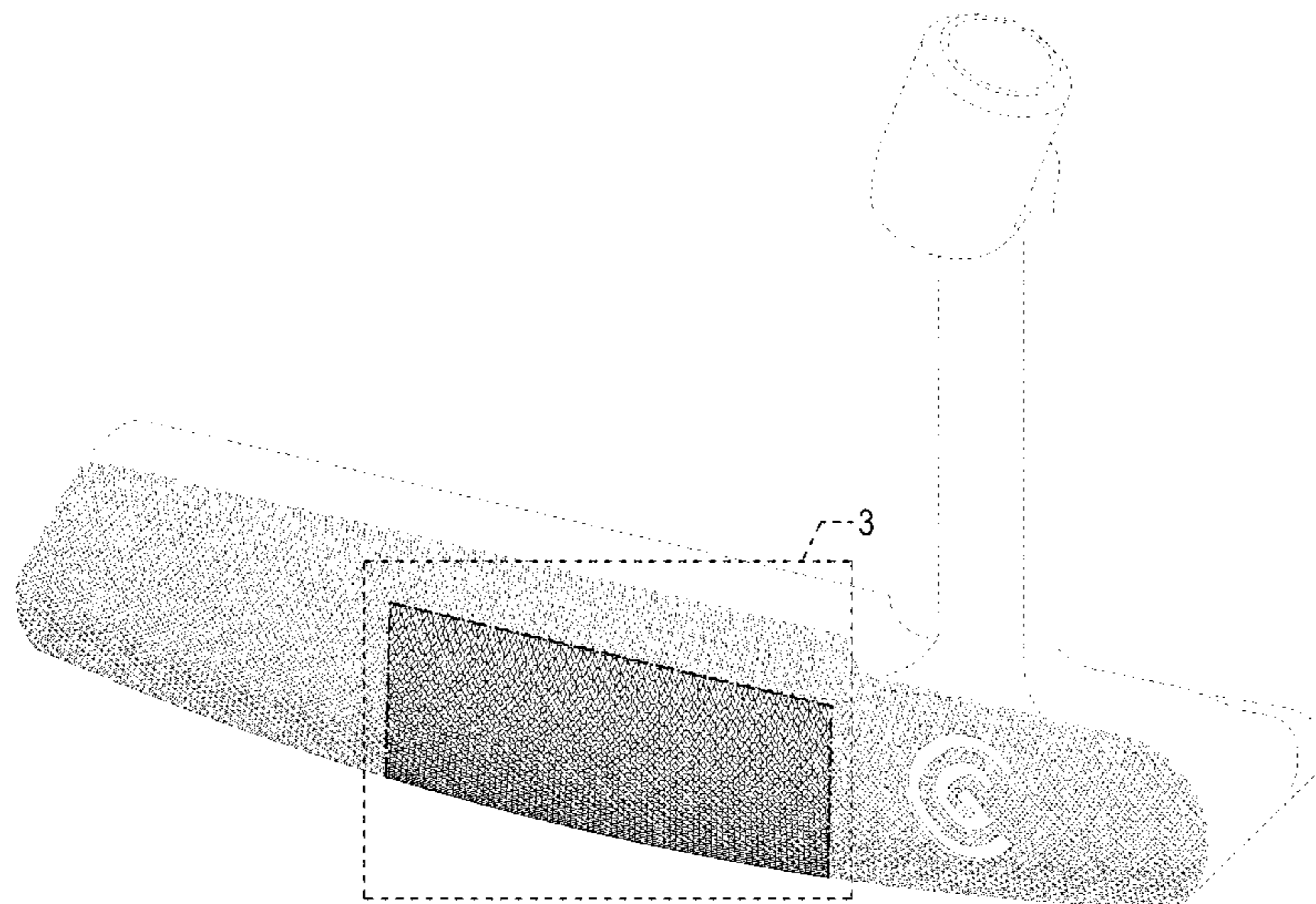
(57) **CLAIM**

The ornamental design for a golf club head, as shown and described.

**DESCRIPTION**

FIG. 1 is a front, top, heel-side perspective view of the golf club head;  
FIG. 2 is a front elevational view thereof;  
FIG. 3 is an enlargement of area 3 in FIG. 1;  
FIG. 4 is an enlargement of area 4 in FIG. 2; and,  
FIG. 5 is a cross-sectional view taken along line 5-5 in FIG. 4.  
The broken lines depict unclaimed portions of the golf club head or enlargement areas, and thus form no part of the claimed design. The dot-dash chain lines represent boundaries of the claimed subject matter, and thus form no part of the claimed design.

**1 Claim, 5 Drawing Sheets**



(56)

**References Cited**

U.S. PATENT DOCUMENTS

D607,071 S	*	12/2009	Wada .....	D21/759
D611,553 S	*	3/2010	Cameron .....	D21/759
D615,140 S	*	5/2010	Franklin .....	D21/759
D617,406 S	*	6/2010	Carlyle .....	D21/759
D633,967 S	*	3/2011	Carlyle .....	D21/759
D639,369 S	*	6/2011	Miyamichi .....	D21/759
D672,418 S	*	12/2012	Rollinson .....	D21/759
D707,316 S	*	6/2014	Aguayo .....	D21/759
D707,317 S	*	6/2014	Aguayo .....	D21/759

\* cited by examiner

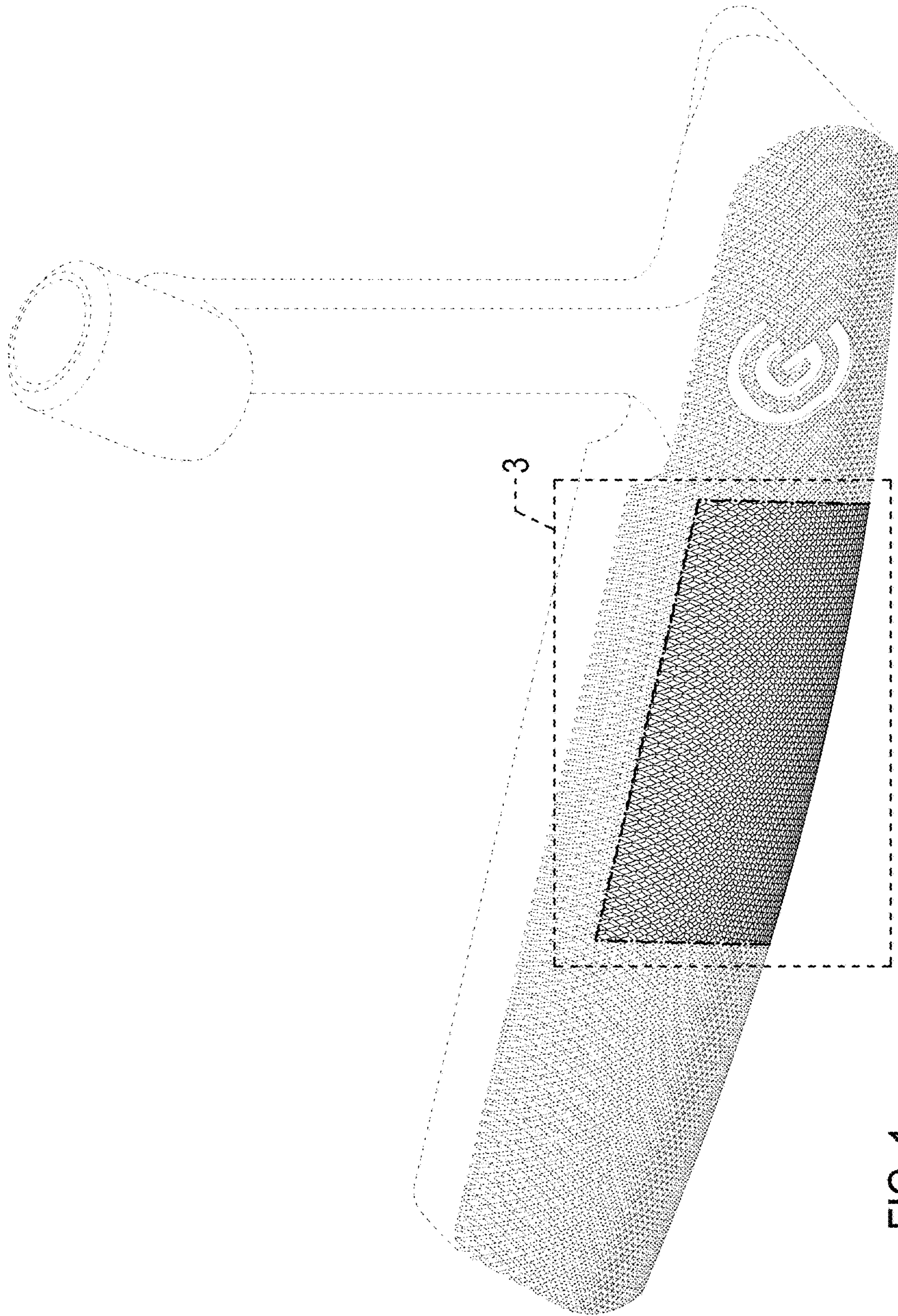


FIG. 1

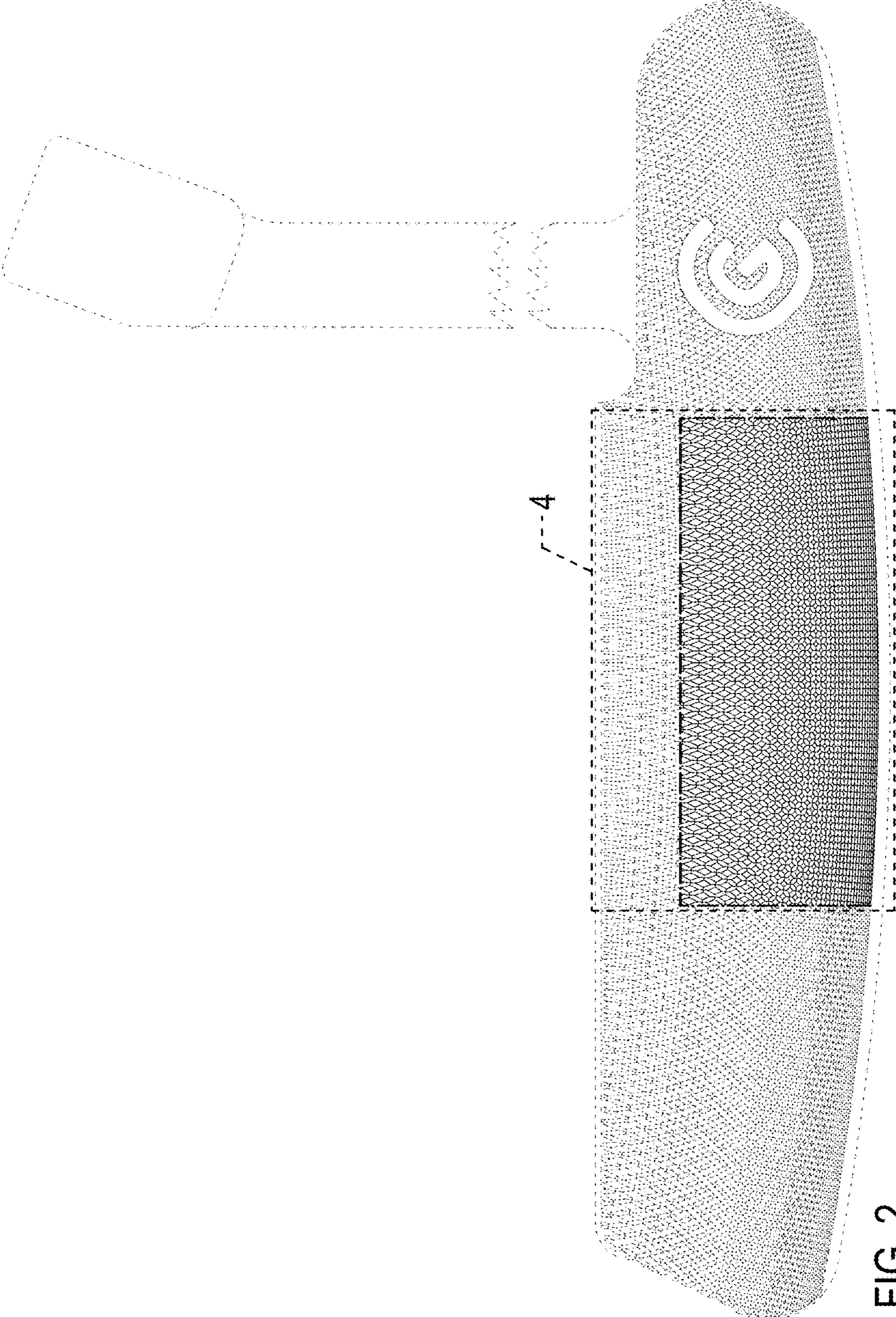


FIG. 2

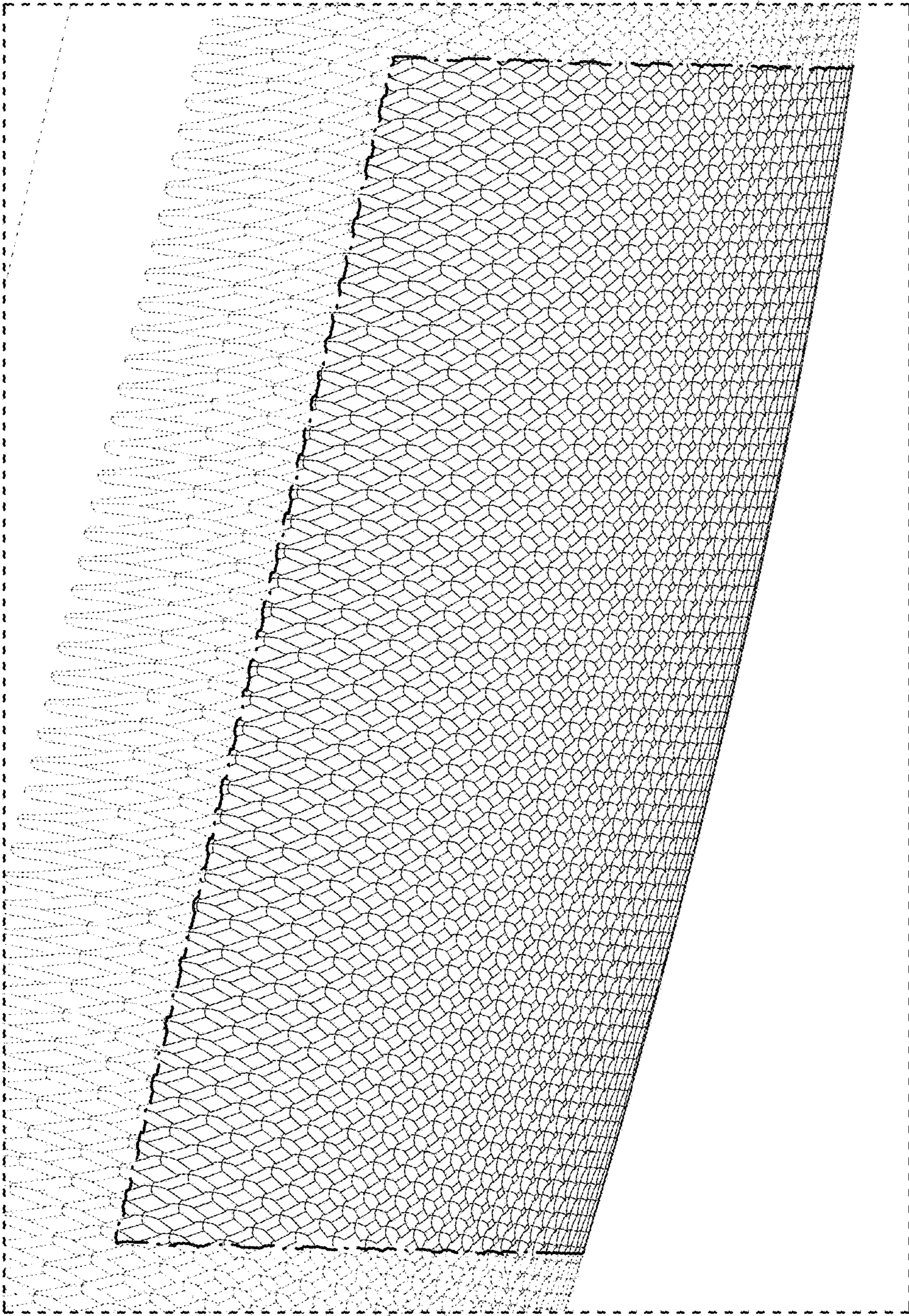


FIG. 3

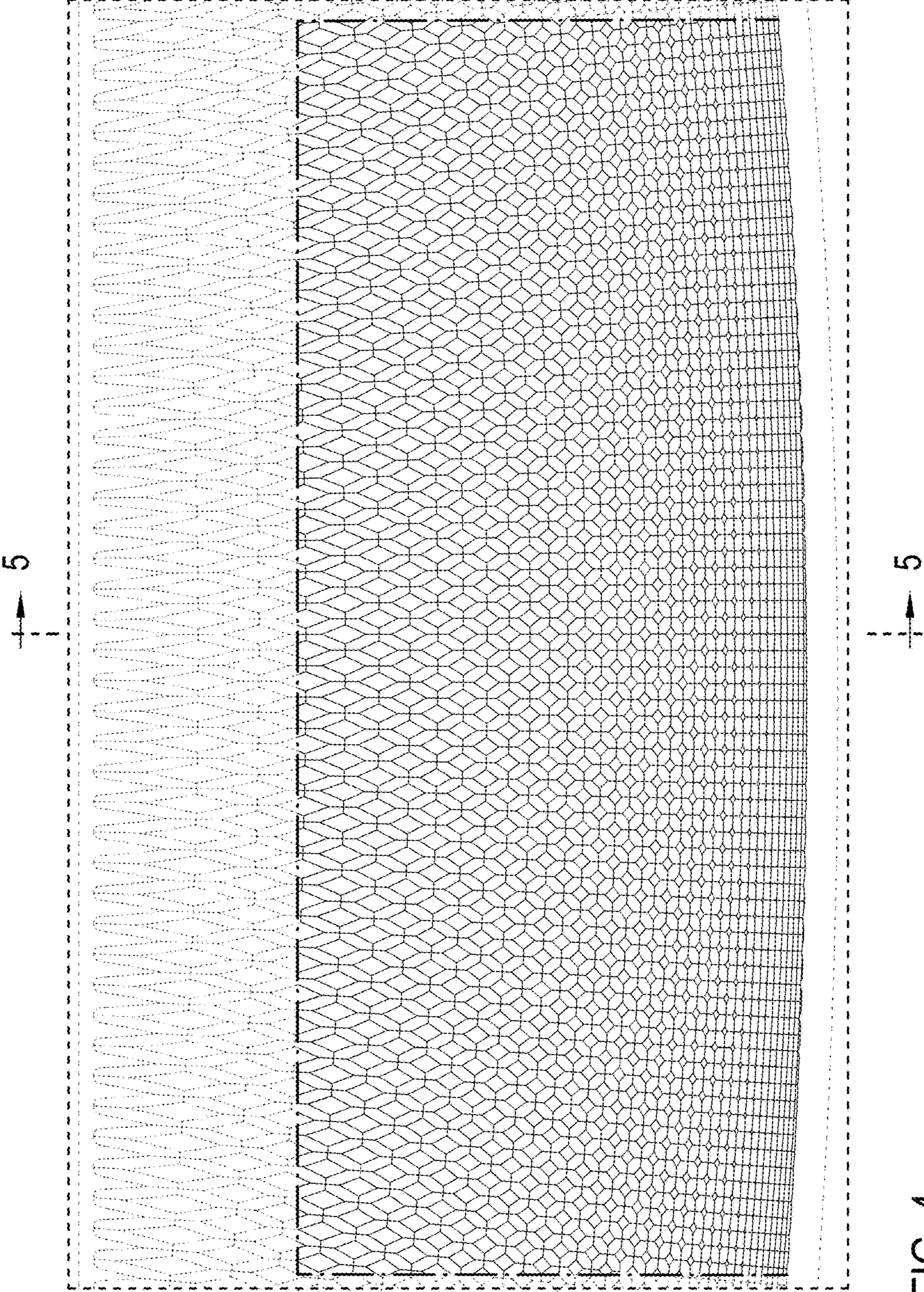


FIG. 4

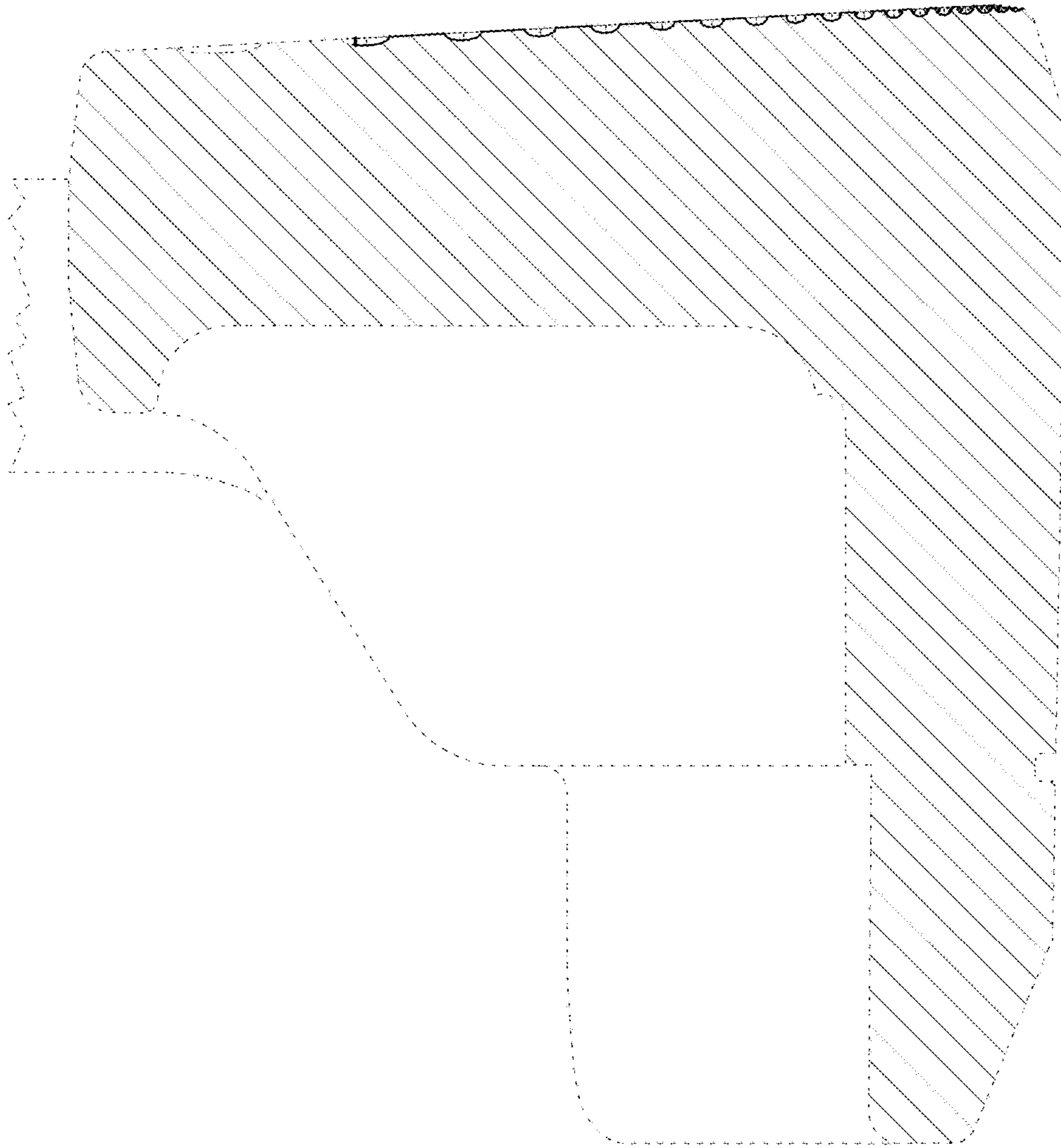


FIG. 5