



US00D798976S

(12) **United States Design Patent**
Becktor

(10) **Patent No.:** **US D798,976 S**

(45) **Date of Patent:** **** Oct. 3, 2017**

- (54) **GOLF CLUB HEAD**
- (71) Applicant: **DUNLOP SPORTS CO. LTD.,**
Kobe-shi, Hyogo (JP)
- (72) Inventor: **Mika Becktor,** New York, NY (US)
- (73) Assignee: **DUNLOP SPORTS CO. LTD.,**
Kobe-shi (JP)
- (**) Term: **15 Years**
- (21) Appl. No.: **29/571,898**
- (22) Filed: **Jul. 22, 2016**
- (51) **LOC (10) Cl.** **21-02**
- (52) **U.S. Cl.**
USPC **D21/759**
- (58) **Field of Classification Search**
USPC D21/733-752, 759
CPC A63B 53/00; A63B 53/04; A63B 53/007;
A63B 53/065; A63B 53/0487; A63B
60/00; A63B 60/46; A63B 2053/0416;
A63B 2053/042; A63B 2053/0425; A63B
2053/0429; A63B 2053/0445
See application file for complete search history.

(56) **References Cited**

U.S. PATENT DOCUMENTS

D57,980	S	*	5/1921	Kraeuter	473/330
D63,284	S	*	11/1923	Challis	473/331
1,494,494	A	*	5/1924	Lippincott	A63B 53/04 473/342
D79,684	S	*	10/1929	Munro-Spencer	D21/736
D138,380	S	*	7/1944	Myers et al.	473/325
D411,275	S	*	6/1999	Bottema	D21/759
D415,232	S	*	10/1999	Solheim	D21/759
D415,809	S	*	10/1999	Bottema	D21/736
D416,062	S	*	11/1999	Solheim	D21/759
D416,969	S	*	11/1999	Solheim	D21/759
D416,970	S	*	11/1999	Solheim	D21/759

D429,302	S	*	8/2000	Antonious	D21/759
D430,914	S	*	9/2000	Antonious	D21/759
D431,853	S	*	10/2000	Antonious	D21/759
D444,835	S	*	7/2001	Wahl	D21/759
6,277,033	B1	*	8/2001	Krumme	A63B 53/04 473/329
D458,331	S	*	6/2002	Wahl	D21/759
D466,173	S	*	11/2002	Sizemore, Jr.	D21/736
D478,142	S	*	8/2003	Toulon	D21/759
D500,823	S	*	1/2005	Aldrich	D21/759
D537,898	S	*	3/2007	Kuan	D21/759
D548,299	S	*	8/2007	Nguyen	D21/759
D549,795	S	*	8/2007	Rollinson	D21/759
D552,699	S	*	10/2007	Rollinson	D21/759
D588,222	S	*	3/2009	Takahashi	D21/759
D588,666	S	*	3/2009	Takahashi	D21/759
D594,921	S	*	6/2009	Bettinardi	D21/759
D606,605	S	*	12/2009	Wada	D21/759
D607,070	S	*	12/2009	Wada	D21/759

(Continued)

Primary Examiner — Mitchell Siegel

(74) Attorney, Agent, or Firm — Oliff PLC

(57) **CLAIM**

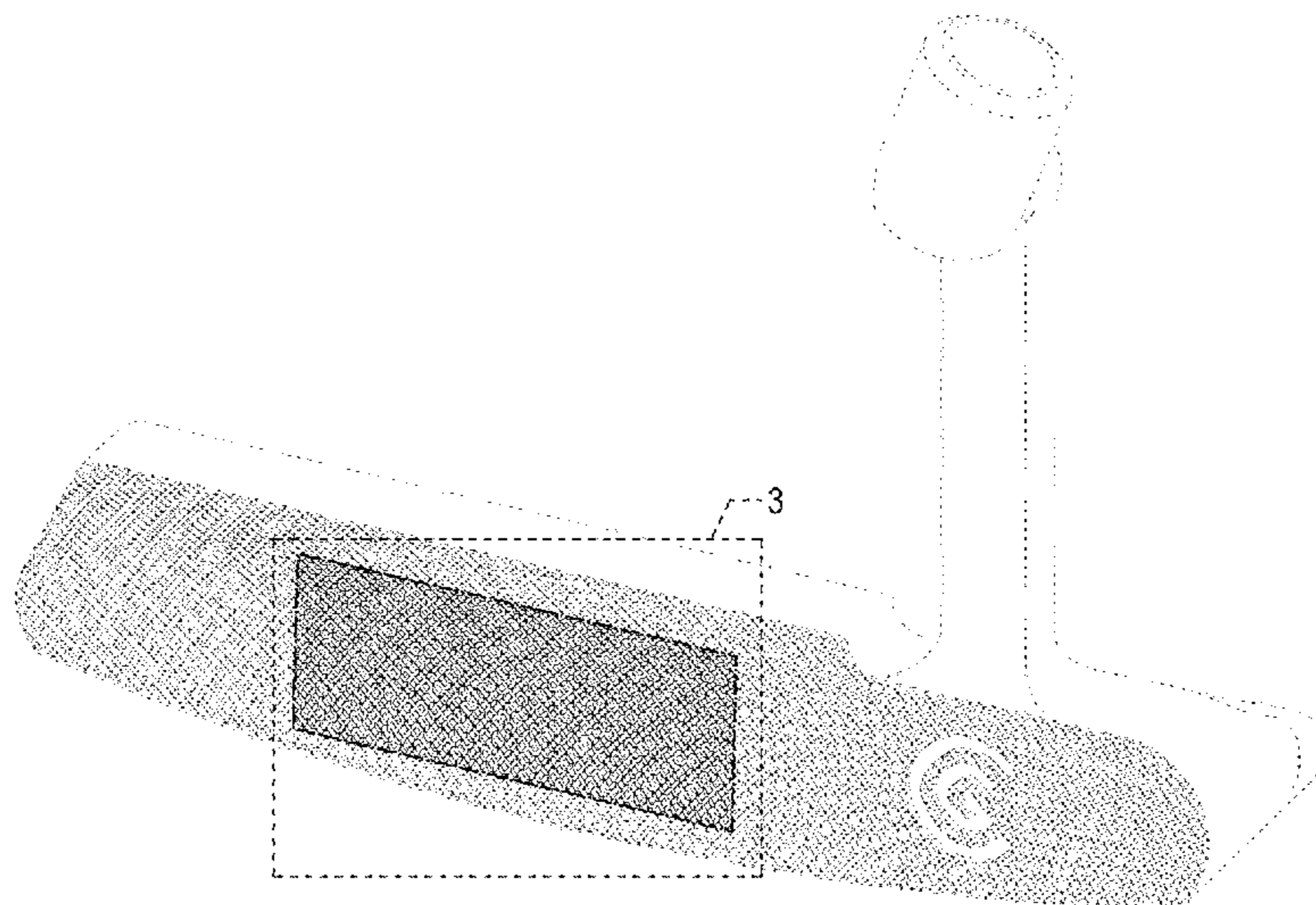
The ornamental design for a golf club head, as shown and described.

DESCRIPTION

FIG. 1 is a front, top, heel-side perspective view of the golf club head;
 FIG. 2 is a front elevational view thereof;
 FIG. 3 is an enlargement of area 3 in FIG. 1;
 FIG. 4 is an enlargement of area 4 in FIG. 2; and,
 FIG. 5 is a cross-sectional view taken along line 5-5 in FIG. 4.

The broken lines depict unclaimed portions of the golf club head or enlargement areas, and thus form no part of the claimed design. The dot-dash chain lines represent boundaries of the claimed subject matter, and thus form no part of the claimed design.

1 Claim, 5 Drawing Sheets



(56)

References Cited

U.S. PATENT DOCUMENTS

D607,071 S	*	12/2009	Wada	D21/759
D611,553 S	*	3/2010	Cameron	D21/759
D615,140 S	*	5/2010	Franklin	D21/759
D617,406 S	*	6/2010	Carlyle	D21/759
D633,967 S	*	3/2011	Carlyle	D21/759
D639,369 S	*	6/2011	Miyamichi	D21/759
D672,418 S	*	12/2012	Rollinson	D21/759
D707,316 S	*	6/2014	Aguayo	D21/759
D707,317 S	*	6/2014	Aguayo	D21/759

* cited by examiner

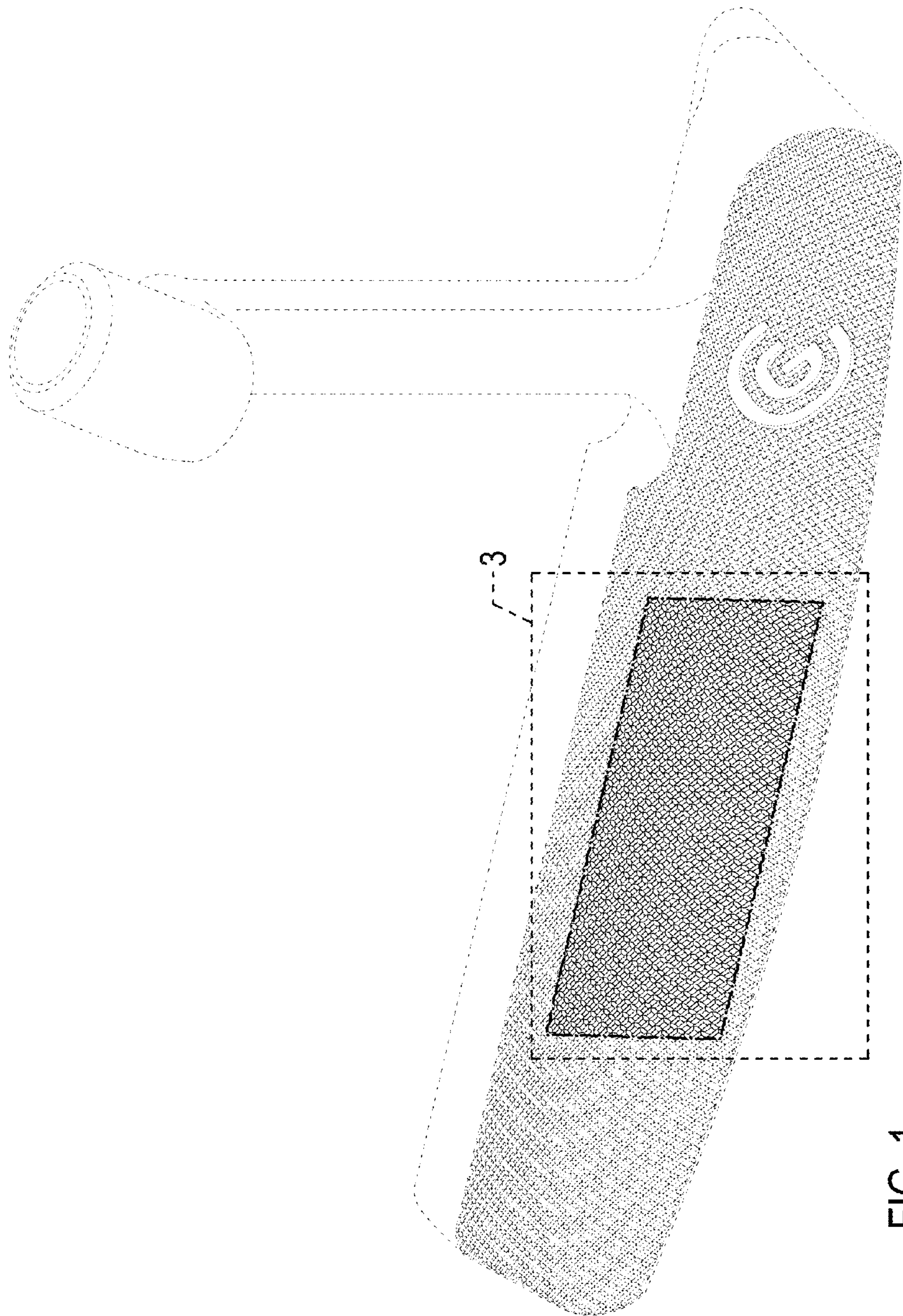


FIG. 1

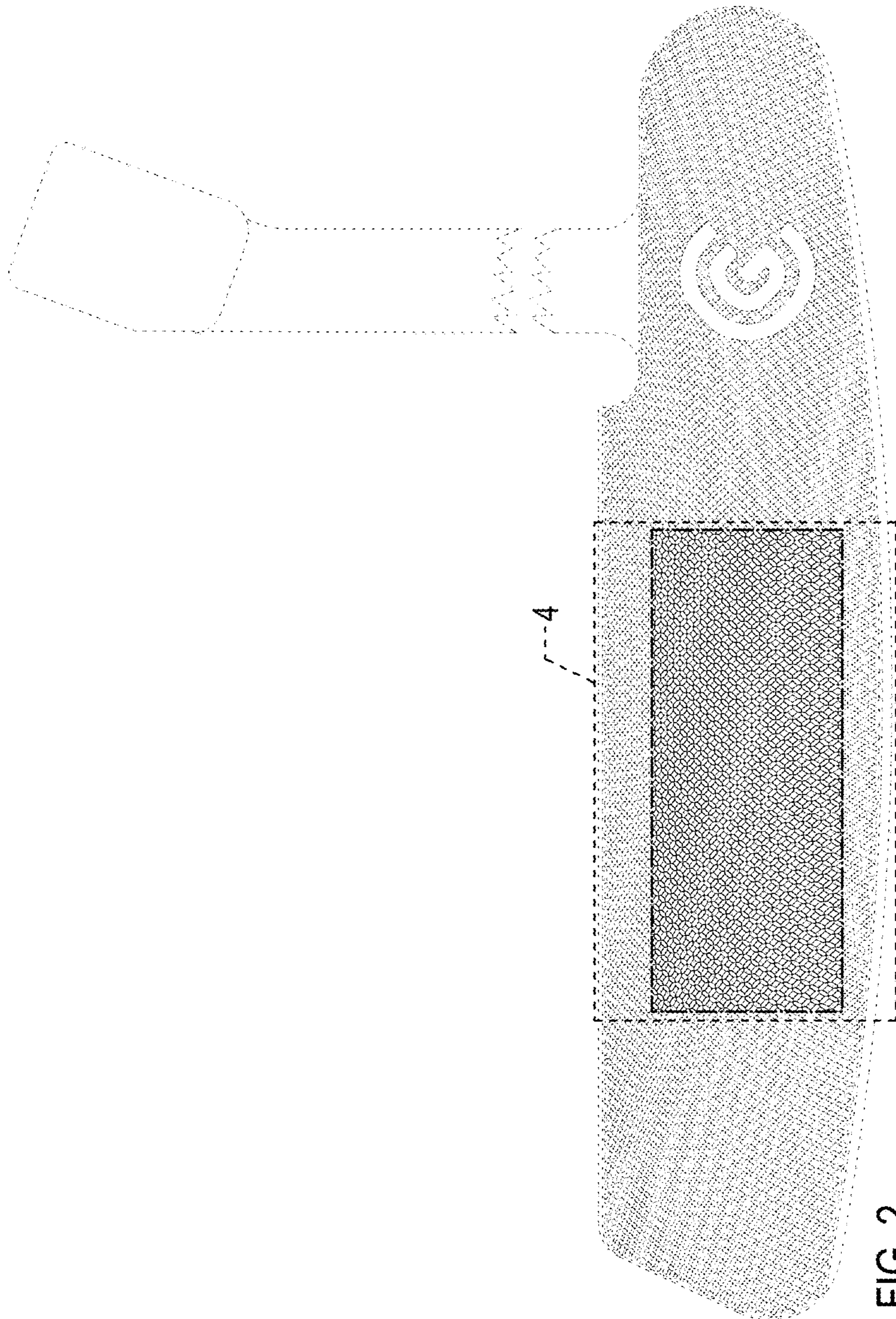


FIG. 2

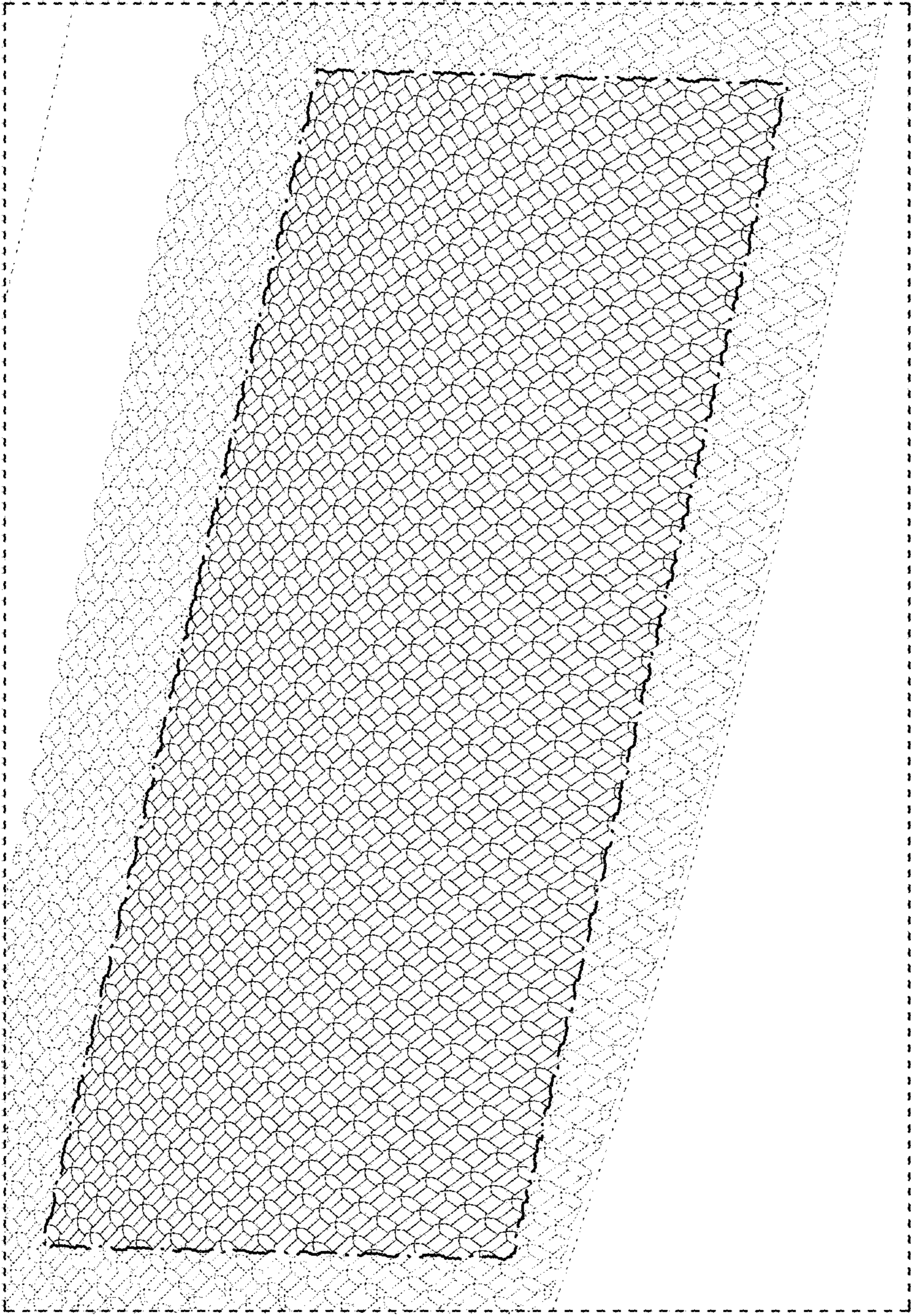


FIG. 3

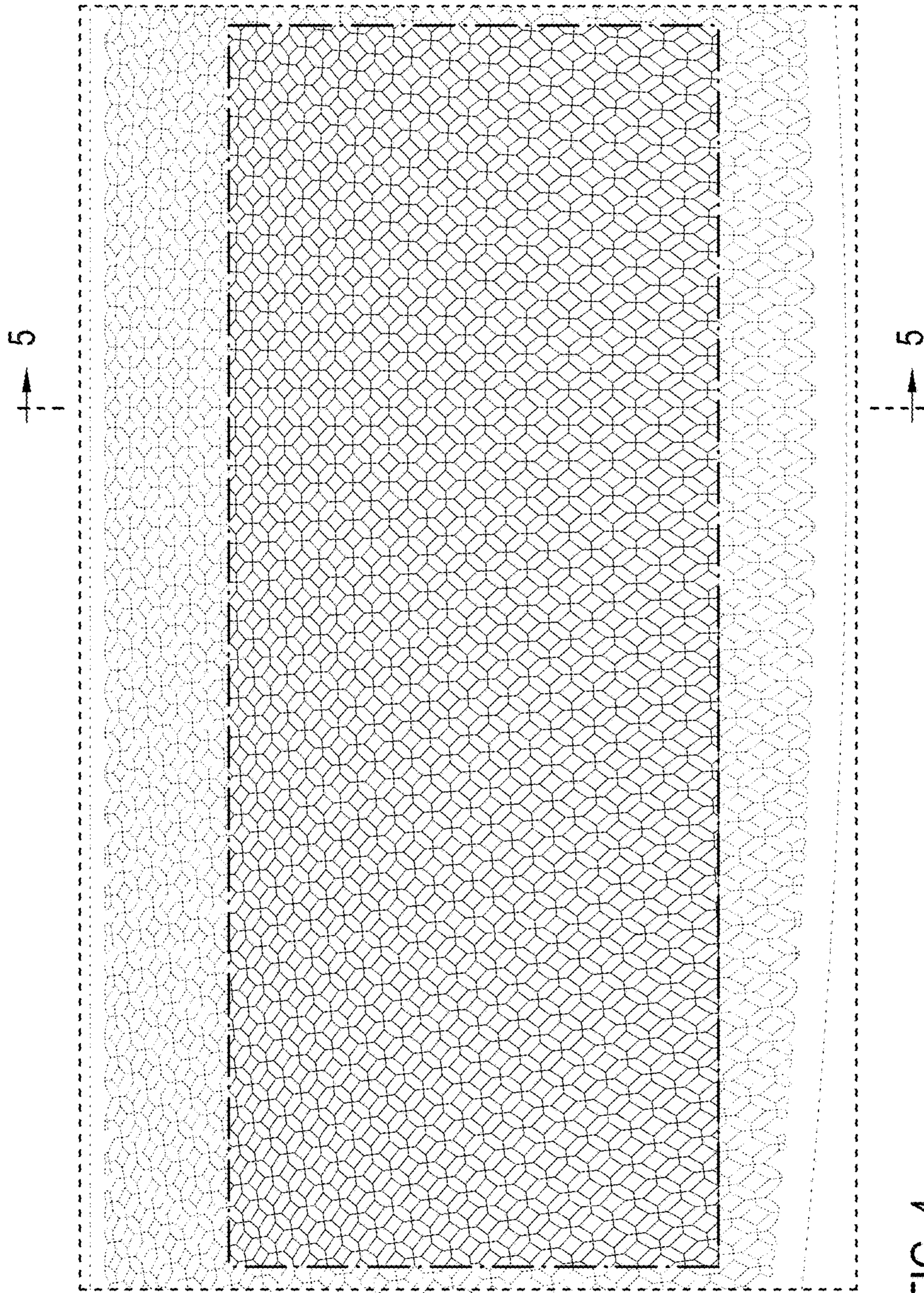


FIG. 4

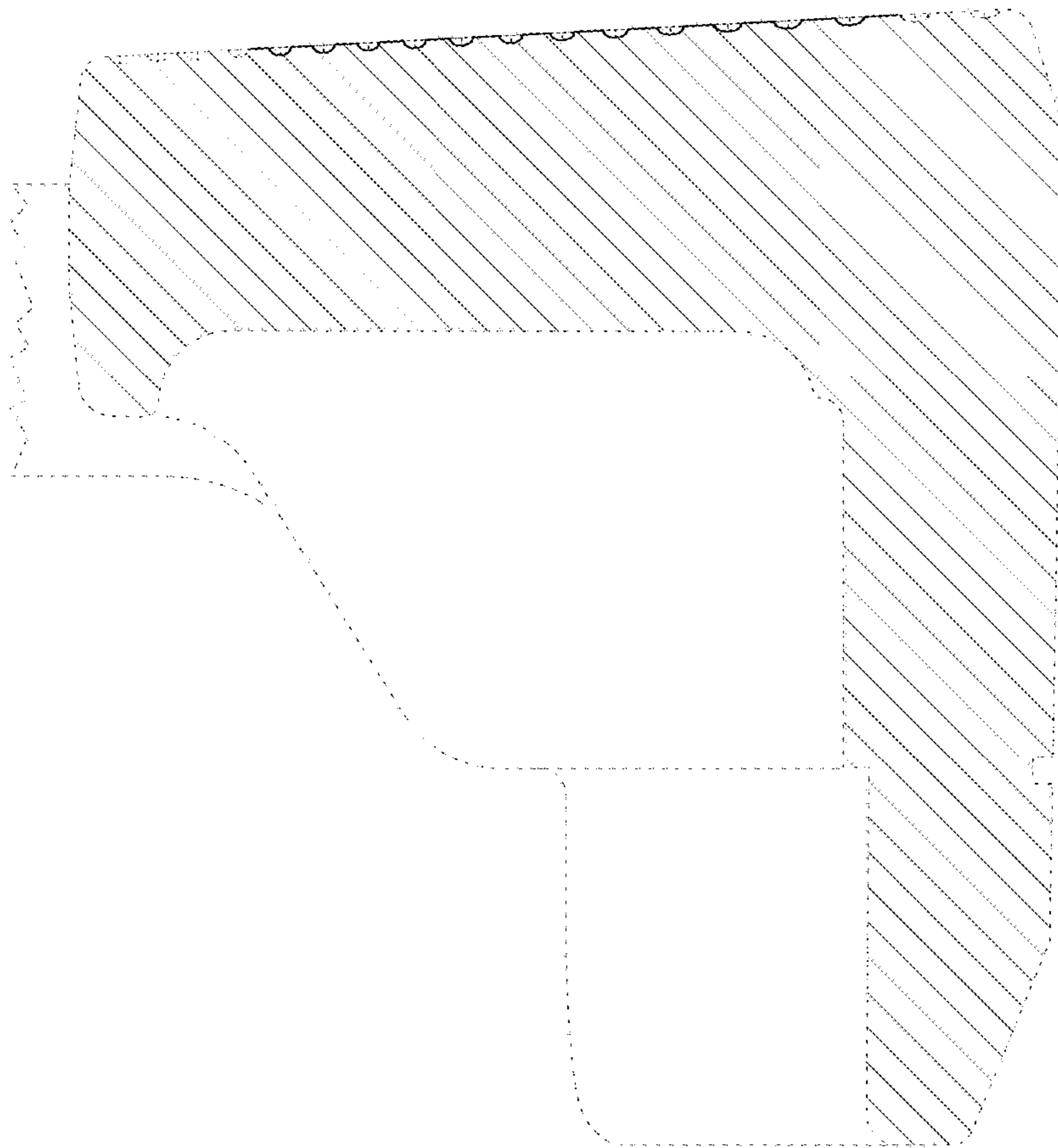


FIG. 5