



US00D798972S

(12) **United States Design Patent**
Wallace

(10) **Patent No.:** **US D798,972 S**

(45) **Date of Patent:** **** Oct. 3, 2017**

- (54) **RUNNER'S RESISTANCE BAND**
- (71) Applicant: **Ross D. Wallace**, Sacramento, CA (US)
- (72) Inventor: **Ross D. Wallace**, Sacramento, CA (US)
- (**) Term: **15 Years**
- (21) Appl. No.: **29/572,319**
- (22) Filed: **Jul. 27, 2016**
- (51) **LOC (10) Cl.** **21-02**
- (52) **U.S. Cl.**
USPC **D21/692**
- (58) **Field of Classification Search**
USPC D21/797, 698, 662, 683, 692, 687, 693;
482/23, 48, 139, 44, 105, 91, 95, 124,
482/123, 125, 126, 904, 131, 129, 140,
482/74, 121, 122; 2/161.1, 162, 170,
2/917, 16, 20; D8/330, 303; D20/22;
D29/113, 120.1, 791, 797, 190, 117.1;
473/205; D24/190, 206, 200
CPC A63B 21/0552; A63B 2209/10; A63B
21/4035; A63B 21/0557; A63B 21/0442;
A63B 21/4043; A63B 23/16; A63B
2023/006; A63B 21/4019
See application file for complete search history.

- 4,335,875 A * 6/1982 Elkin A63B 69/0028
482/131
- D328,320 S * 7/1992 Hliang D21/692
- 5,267,931 A * 12/1993 Faetini A61H 1/0296
128/DIG. 23
- 5,295,949 A * 3/1994 Hathaway A61F 5/055
482/10
- D380,050 S * 6/1997 Cappelli D24/206
- 5,857,948 A * 1/1999 Barnett A63B 21/0004
482/140
- D432,384 S * 10/2000 Simons D21/662
- D438,577 S * 3/2001 Phillips D21/662
- D441,413 S * 5/2001 Cataldi, Jr. D21/662

(Continued)

OTHER PUBLICATIONS

Black Mountain Flat Resistance Therapy Band by houzz dated no date given. Found online [Jun. 7, 2017] https://www.houzz.com/photos/40115429/Black-Mountain-Flat-Resistance-Therapy-Band-Handles-contemporary-home-gym-equipment.*

Primary Examiner — Robert M Spear
Assistant Examiner — Ryan Harvey
(74) *Attorney, Agent, or Firm* — Ming Chow; John P. O'Banion

(57) **CLAIM**

The ornamental design for a runner's resistance band, as shown and described.

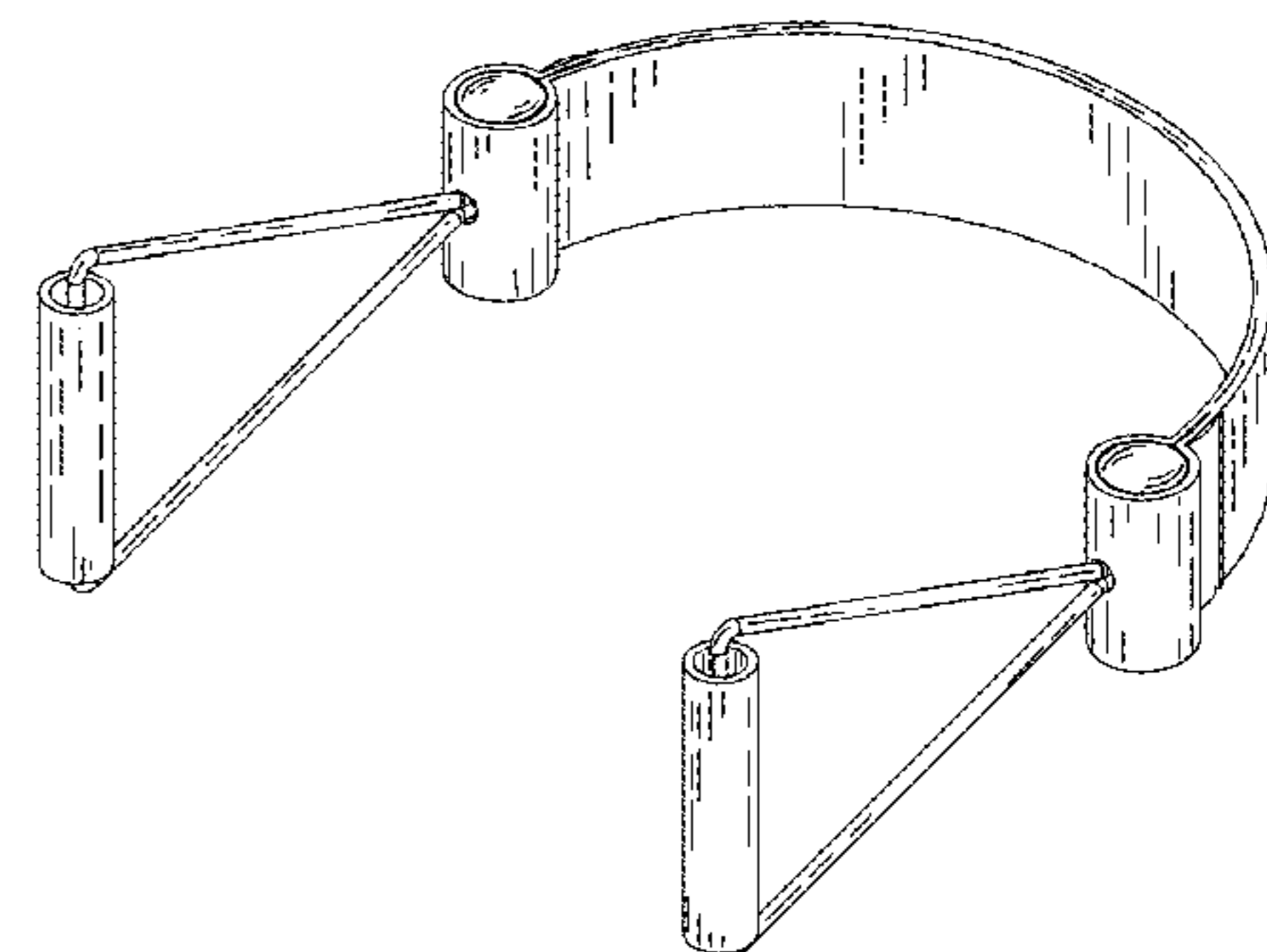
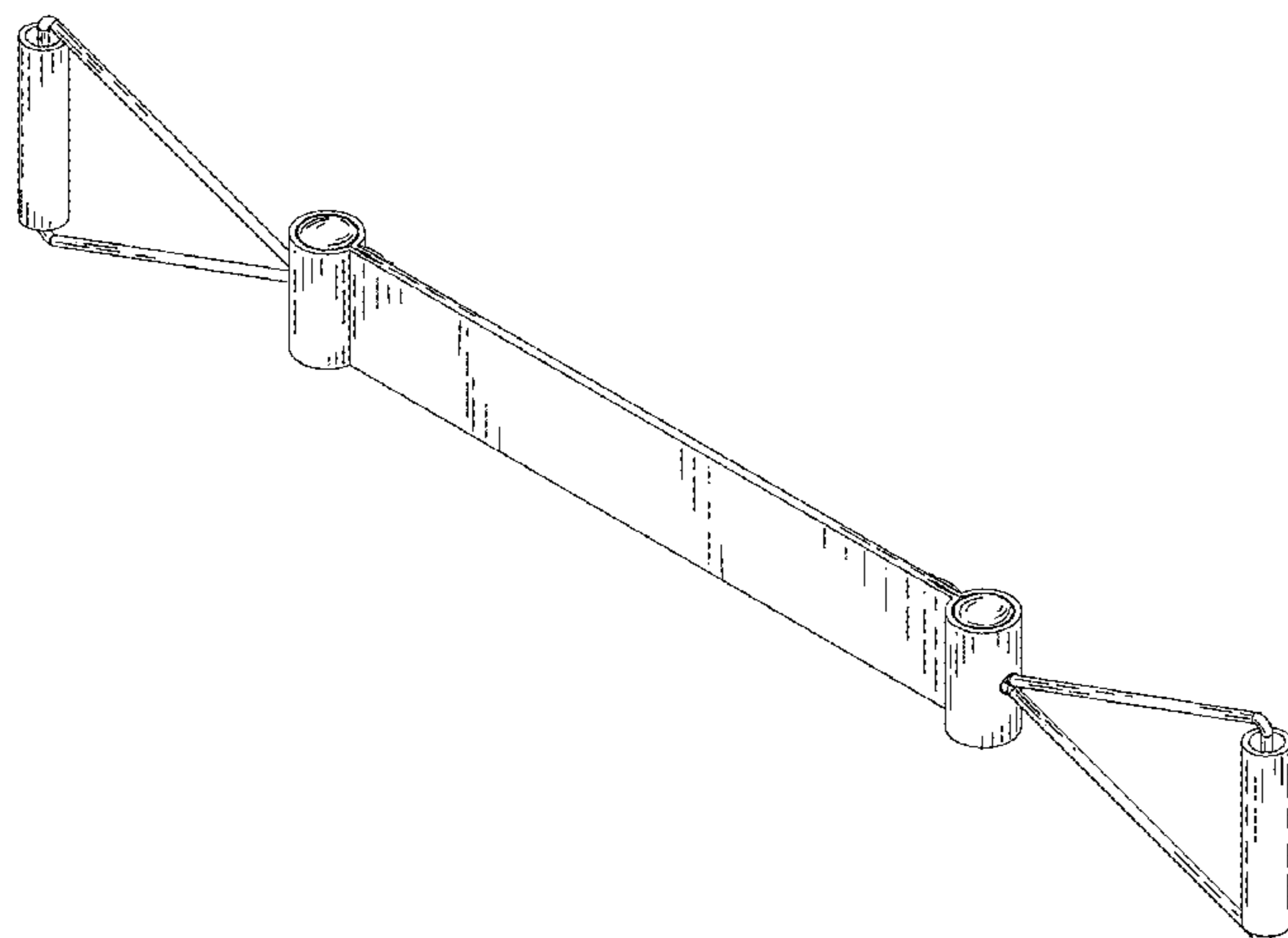
DESCRIPTION

FIG. 1 is a top front perspective view of a runner's resistance band in a flat configuration;
FIG. 2 is a front elevational view thereof;
FIG. 3 is a rear elevational view thereof;
FIG. 4 is a left elevational view thereof;
FIG. 5 is a right elevational view thereof;
FIG. 6 is a top plan view thereof;
FIG. 7 is a bottom plan view thereof; and,
FIG. 8 is a top front perspective view of a runner's resistance band in a bent configuration.

1 Claim, 8 Drawing Sheets

(56) **References Cited**
U.S. PATENT DOCUMENTS

- 1,012,802 A * 12/1911 Brogan A63B 21/0004
482/91
- 1,717,861 A * 6/1929 Washburn A63B 21/0004
482/126
- 1,749,544 A * 3/1930 Pagano A63B 21/0004
267/73
- 1,832,633 A * 11/1931 Hendrickson, Jr.
..... A63B 21/0004
482/126
- 1,884,392 A * 10/1932 Treat A63B 21/0004
482/126
- 1,885,473 A * 11/1932 Louis A63B 21/0004
482/129



(56)

References Cited

U.S. PATENT DOCUMENTS

6,921,357 B2 * 7/2005 Basting A63B 21/0004
482/121
D516,638 S * 3/2006 Felberg D21/662
7,175,576 B2 * 2/2007 Felberg A63B 21/0004
482/139
D556,333 S * 11/2007 Hoffman D24/200
D566,797 S * 4/2008 Yewdall D21/662
D670,345 S * 11/2012 Guarrasi D21/662
2006/0234844 A1 * 10/2006 Kates A63B 23/0211
482/140
2015/0367159 A1 * 12/2015 Harris A63B 21/0557
482/122

* cited by examiner

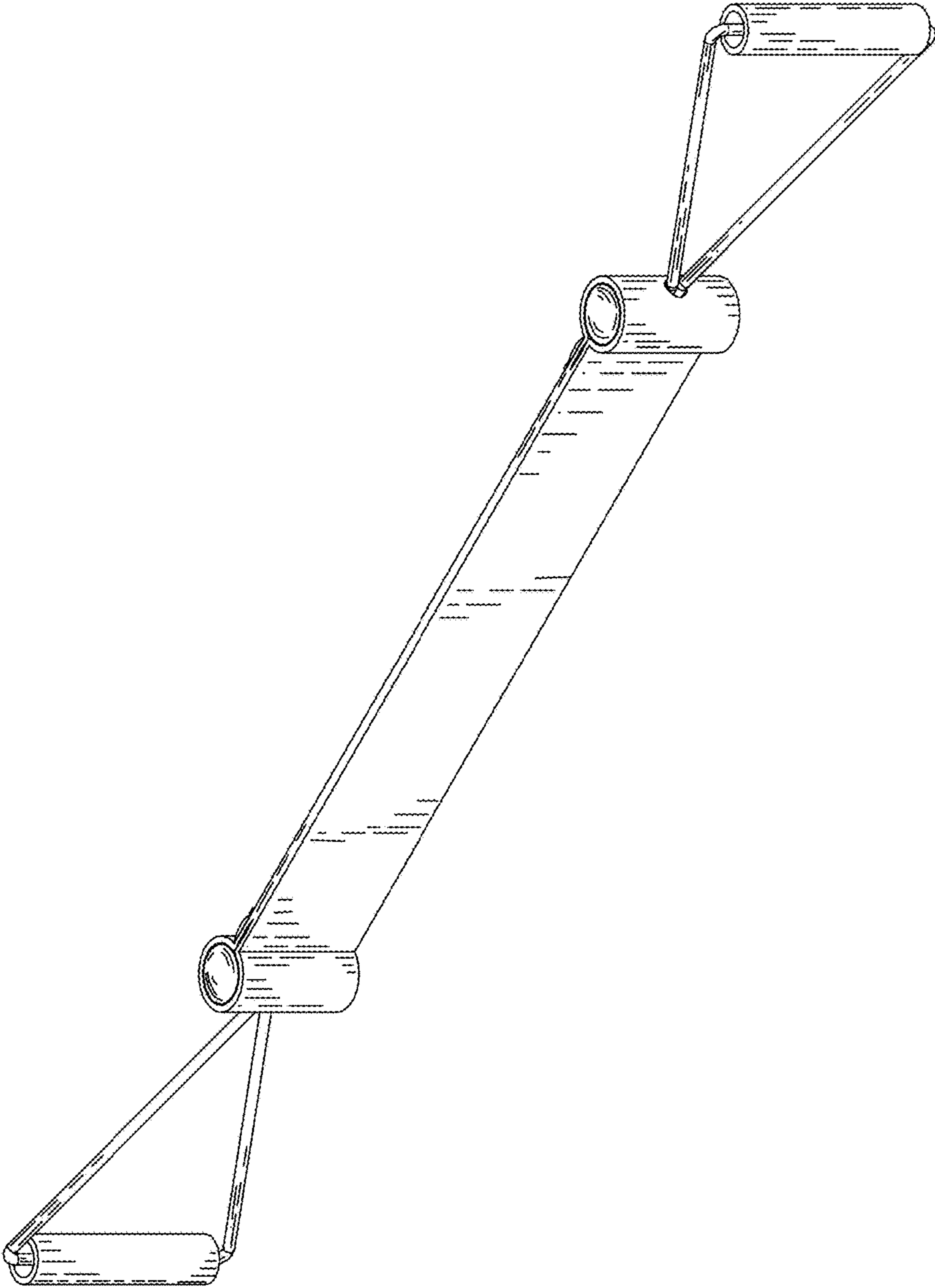


FIG. 1

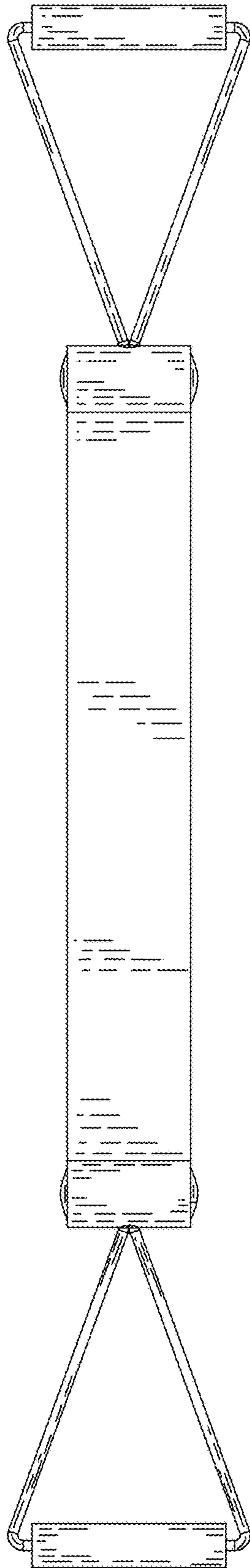


FIG. 2

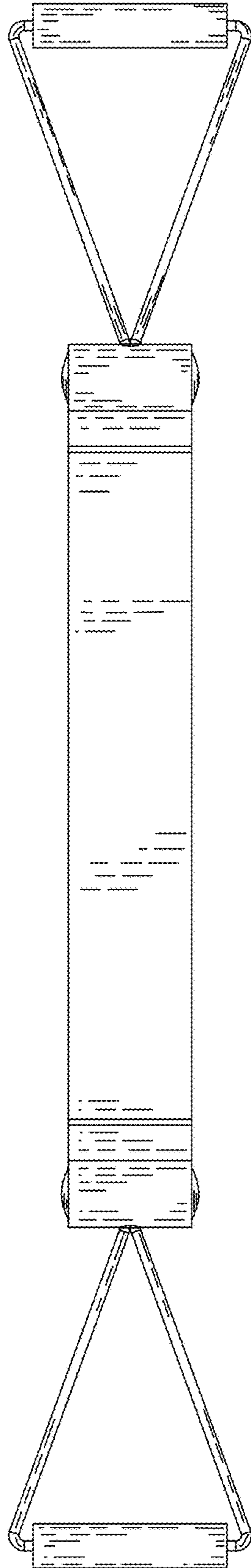


FIG. 3

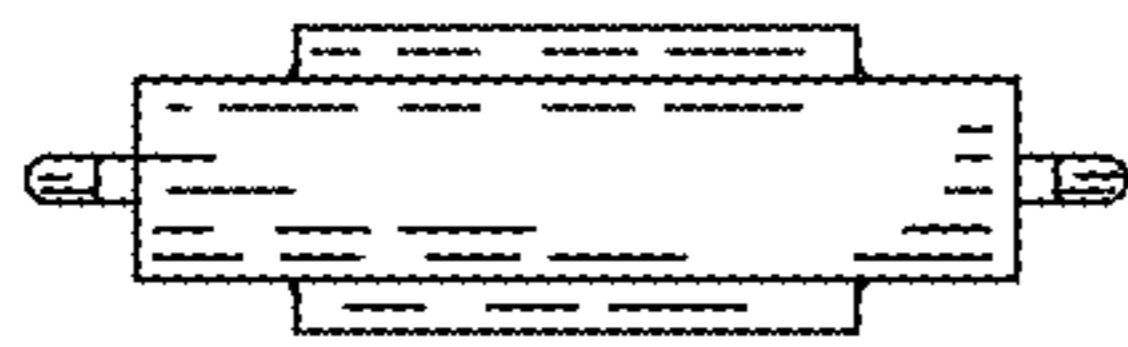


FIG. 4

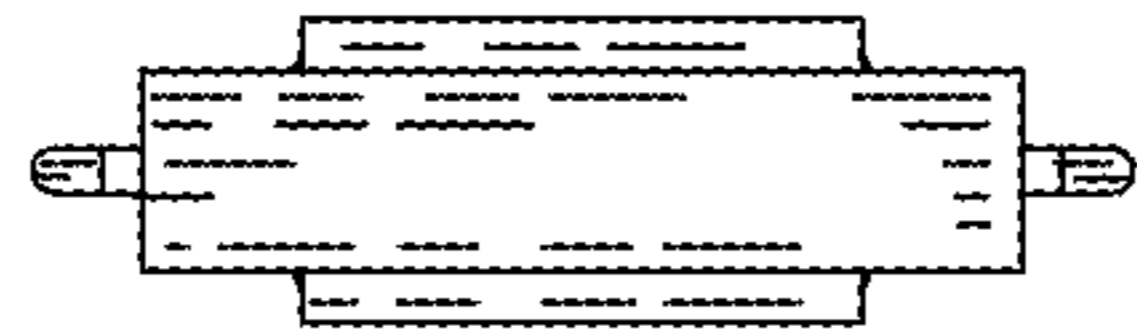


FIG. 5

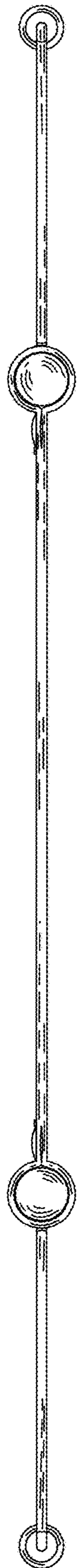


FIG. 6

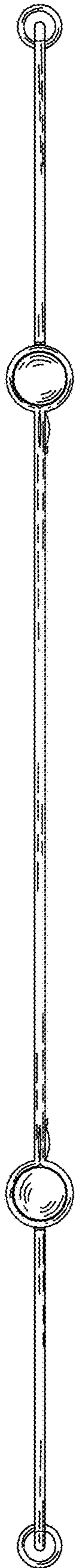


FIG. 7

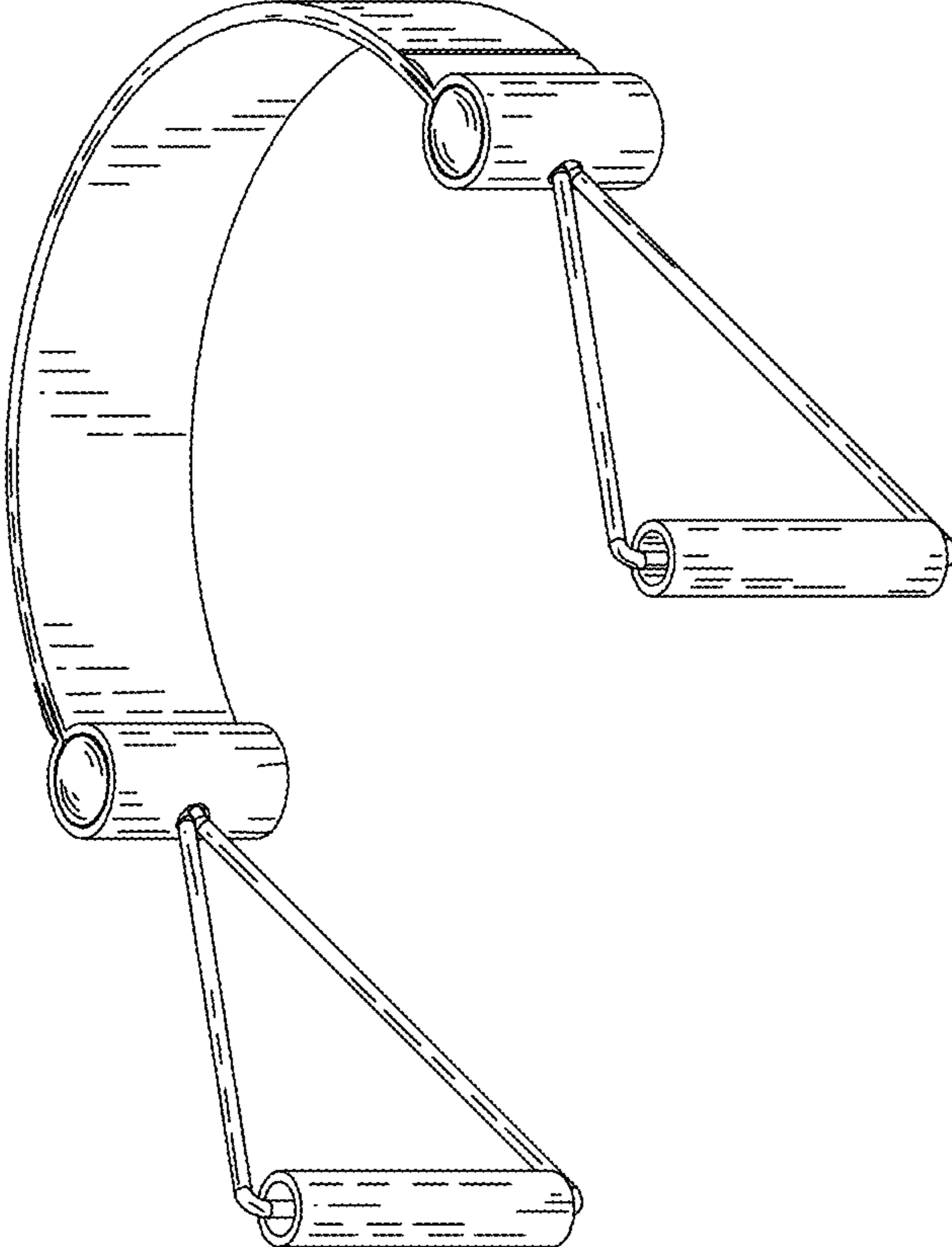


FIG. 8