



US00D798971S

(12) **United States Design Patent** (10) **Patent No.:** **US D798,971 S**
Ho et al. (45) **Date of Patent:** **** Oct. 3, 2017**

(54) **WHEELED TORSO EXERCISE MACHINE**
 (71) Applicants: **Wei-Teh Ho**, Taipei (TW); **Willy Wei Yu Ho**, Taipei (TW)
 (72) Inventors: **Wei-Teh Ho**, Taipei (TW); **Willy Wei Yu Ho**, Taipei (TW)
 (**) Term: **15 Years**
 (21) Appl. No.: **29/545,560**
 (22) Filed: **Nov. 13, 2015**

(56) **References Cited**

U.S. PATENT DOCUMENTS

D392,350	S	*	3/1998	Huang	D21/668
D393,296	S	*	4/1998	Lee	D21/668
D413,357	S	*	8/1999	Hsieh	D21/662
D522,076	S	*	5/2006	Casey	D21/423
D636,826	S	*	4/2011	Chan	D21/663
D699,306	S	*	2/2014	Ho	D21/662
D729,887	S	*	5/2015	Zeng	D21/686
9,149,679	B2	*	10/2015	Abassian	A63B 21/0414
2006/0194681	A1	*	8/2006	Ho	A63B 21/055
						482/132
2006/0270535	A1	*	11/2006	Casey	A63B 21/0552
						482/140

Related U.S. Application Data

(63) Continuation-in-part of application No. 29/530,739, filed on Jun. 18, 2015.
 (51) **LOC (10) Cl.** **21-02**
 (52) **U.S. Cl.**
 USPC **D21/687**
 (58) **Field of Classification Search**
 USPC 482/54, 140, 142, 123, 121, 122, 129, 482/130, 96, 52, 57, 907, 126, 131, 145, 482/144, 112, 134, 26, 27, 77, 125, 132, 482/92, 95, 91, 128, 68, 141; D21/687, D21/686, 669, 673, 690, 691, 694, 676, D21/674, 670, 663, 662, 423, 695, 688; D24/183, 188; 297/175, 445.1, 423.38; 601/24, 49; 606/240, 244, 242; 5/613, 5/618, 624; 473/197, 422; 280/47.371, 280/79.6; D14/447
 CPC A63B 22/0023; A63B 22/0235; A63B 2210/50; A63B 21/4029; A63B 22/0285; A63B 22/0242; A63B 2225/30; A63B 21/078; A61H 2203/0493; A61H 1/0292; A61H 2201/1284; A61H 1/0222
 See application file for complete search history.

* cited by examiner

Primary Examiner — Robert M Spear
Assistant Examiner — Ryan Harvey
 (74) *Attorney, Agent, or Firm* — Blakely, Sokoloff, Taylor & Zafman LLP

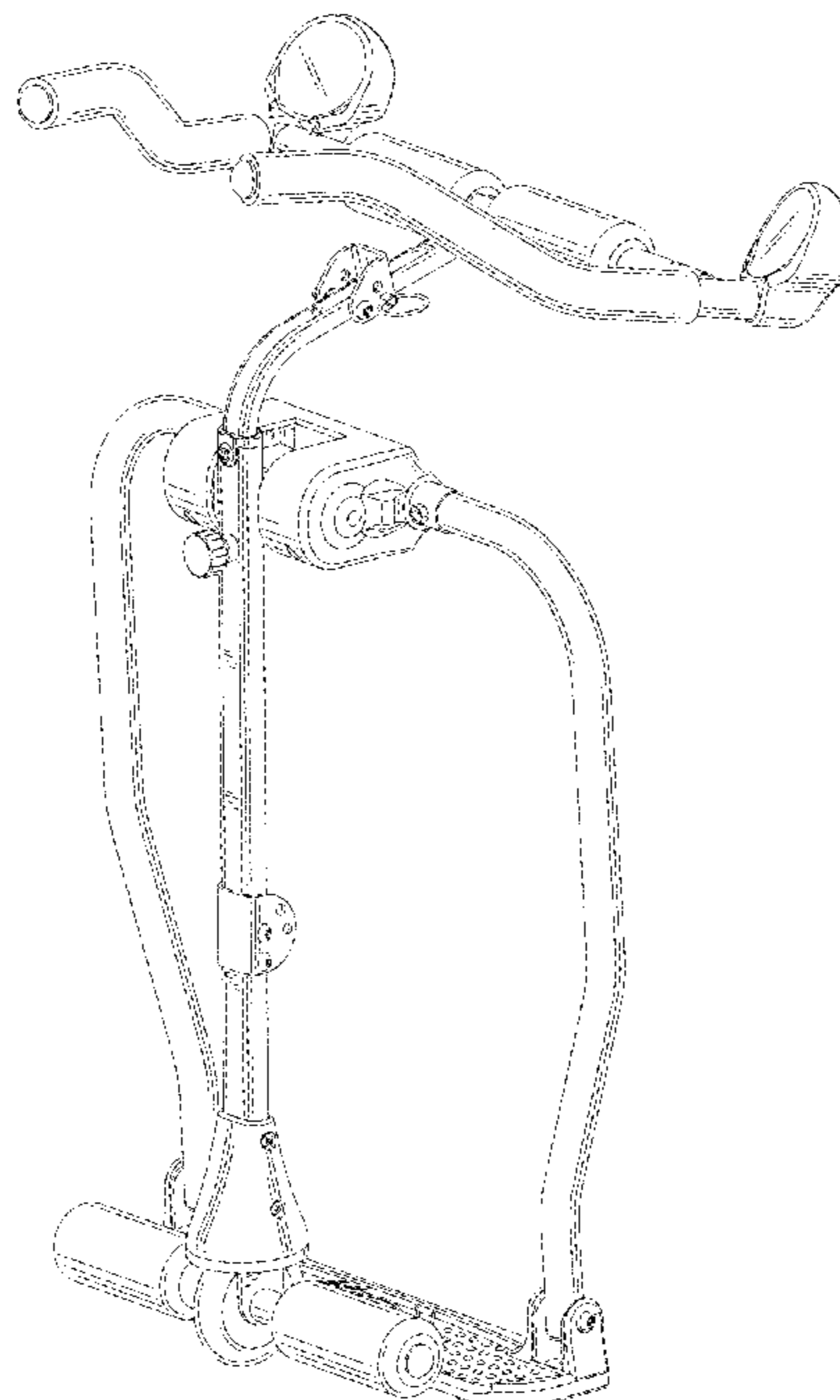
(57) **CLAIM**

The ornamental design for a wheeled torso exercise machine, as shown and described.

DESCRIPTION

FIG. 1 is a perspective view showing the new design for a wheeled torso exercise machine;
 FIG. 2 is a front view thereof;
 FIG. 3 is a rear view thereof;
 FIG. 4 is a right view thereof;
 FIG. 5 is a left view thereof;
 FIG. 6 is a top view thereof; and,
 FIG. 7 is a bottom view thereof.

1 Claim, 7 Drawing Sheets



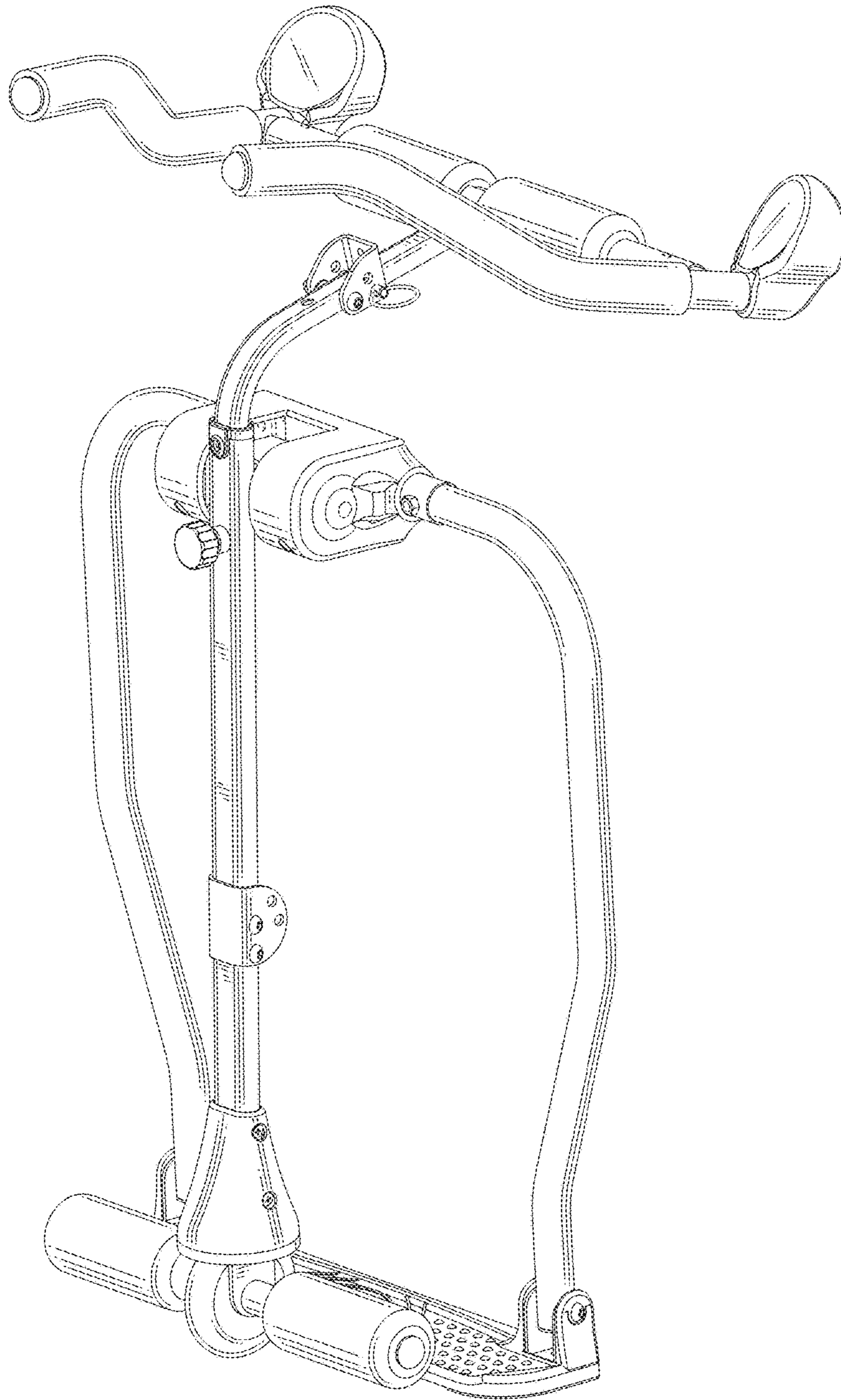


FIG. 1

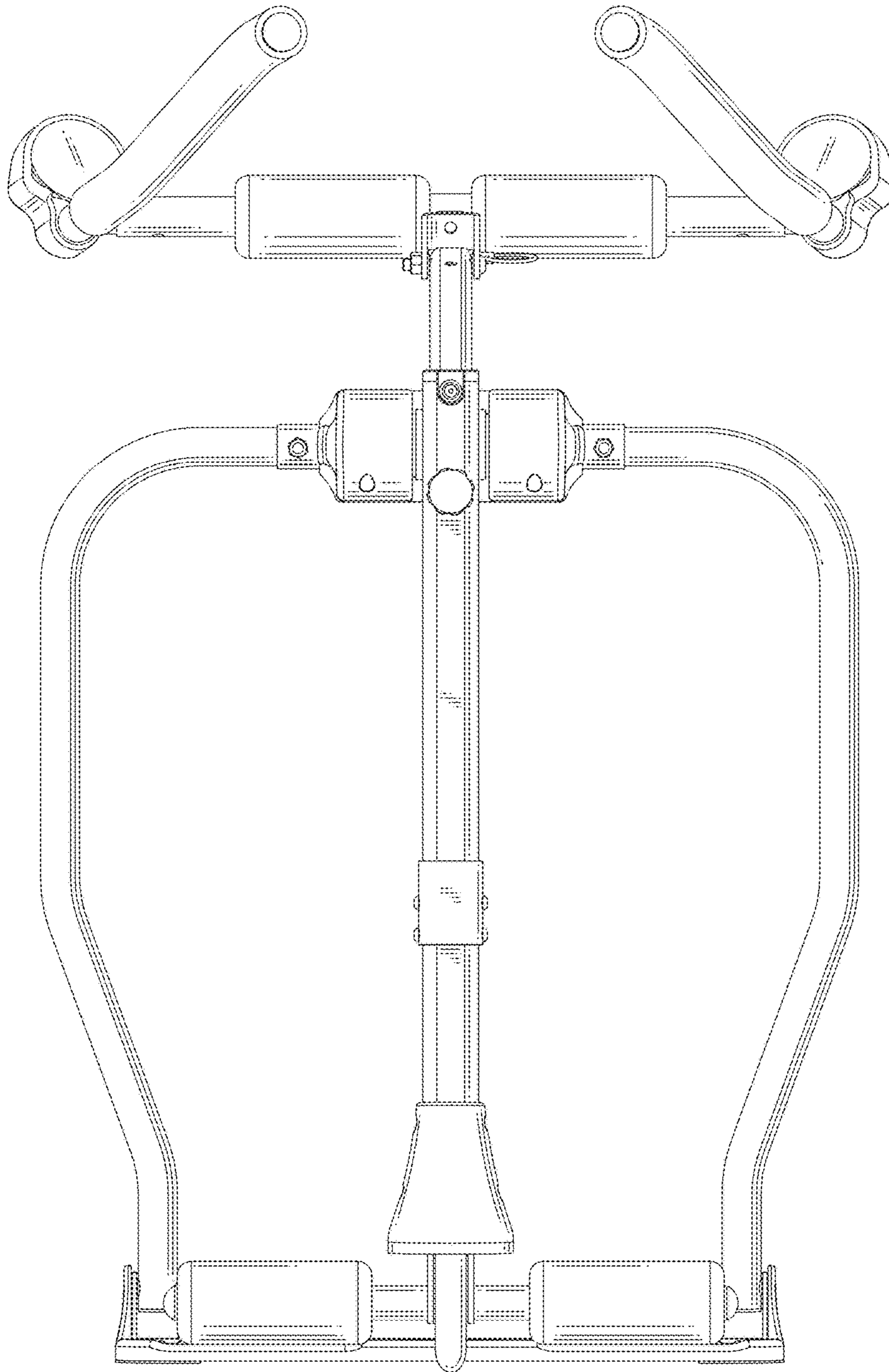


FIG. 2

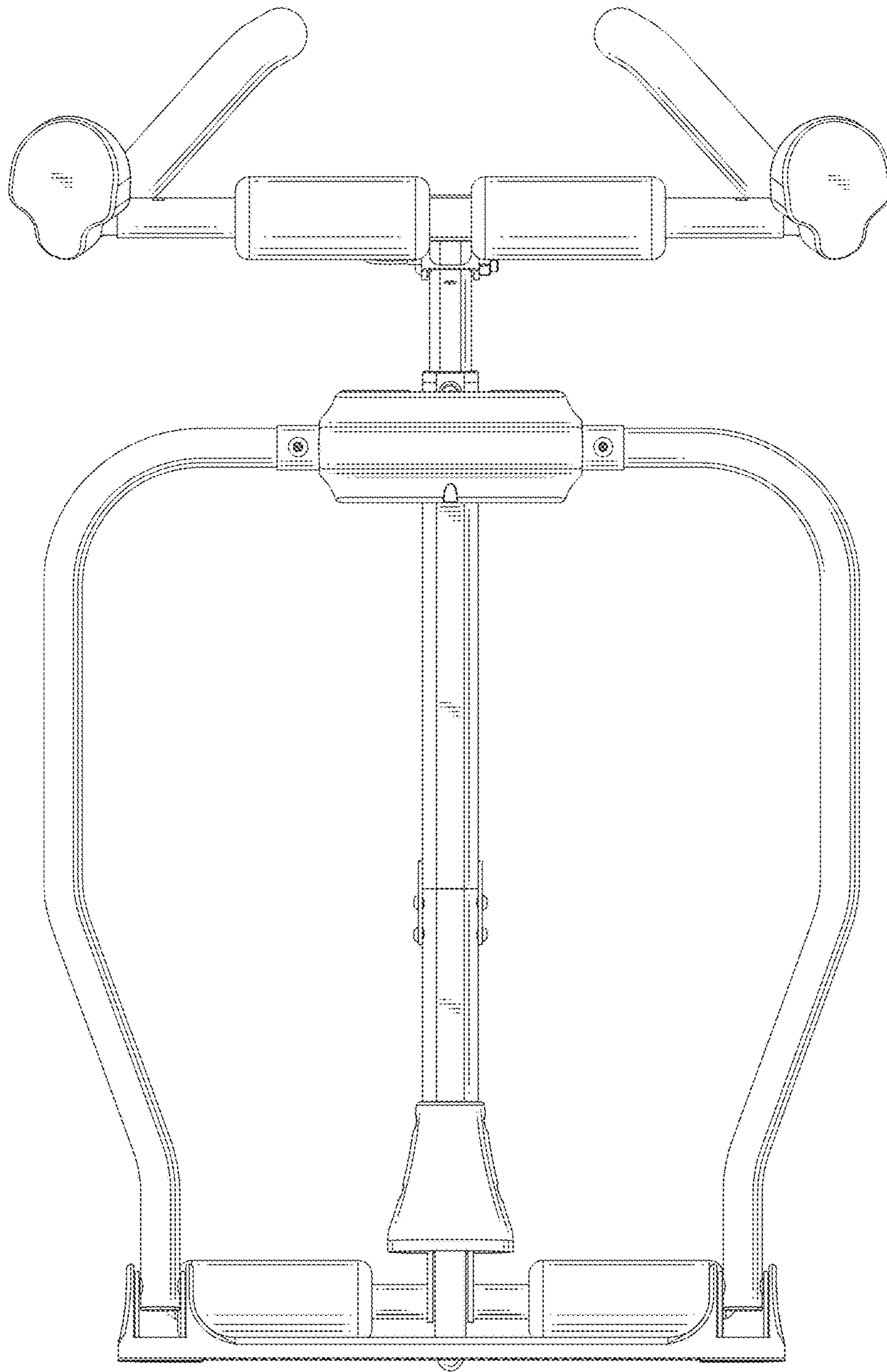


FIG. 3

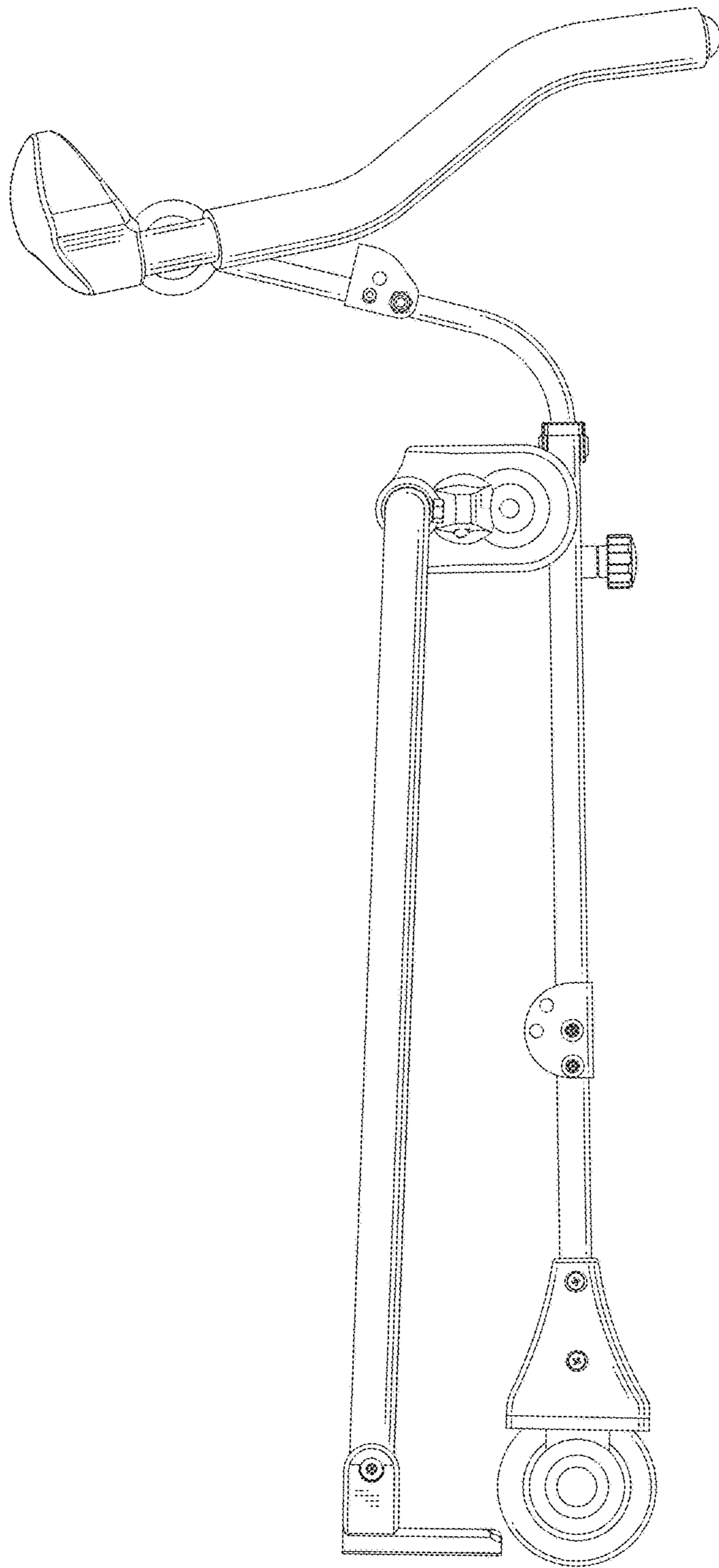


FIG. 4

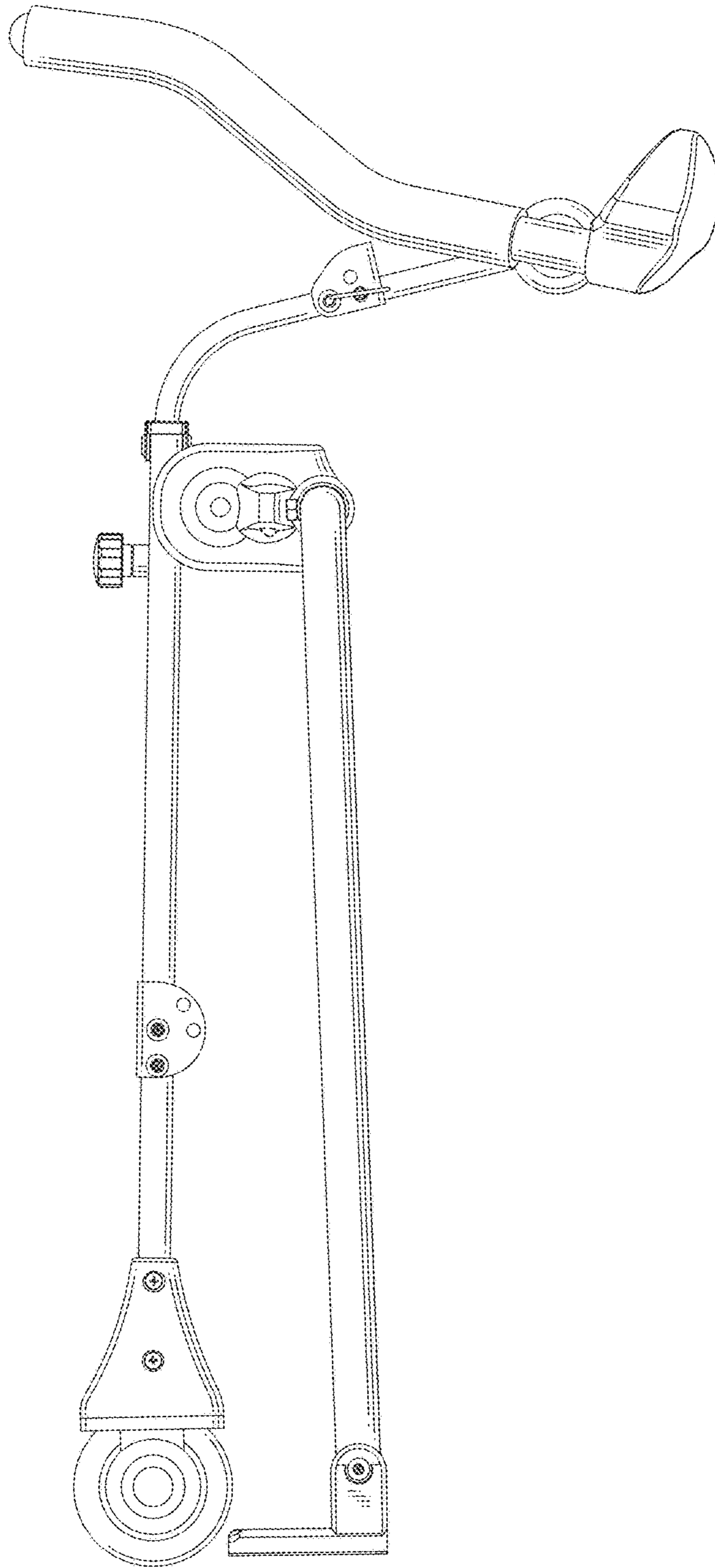


FIG. 5

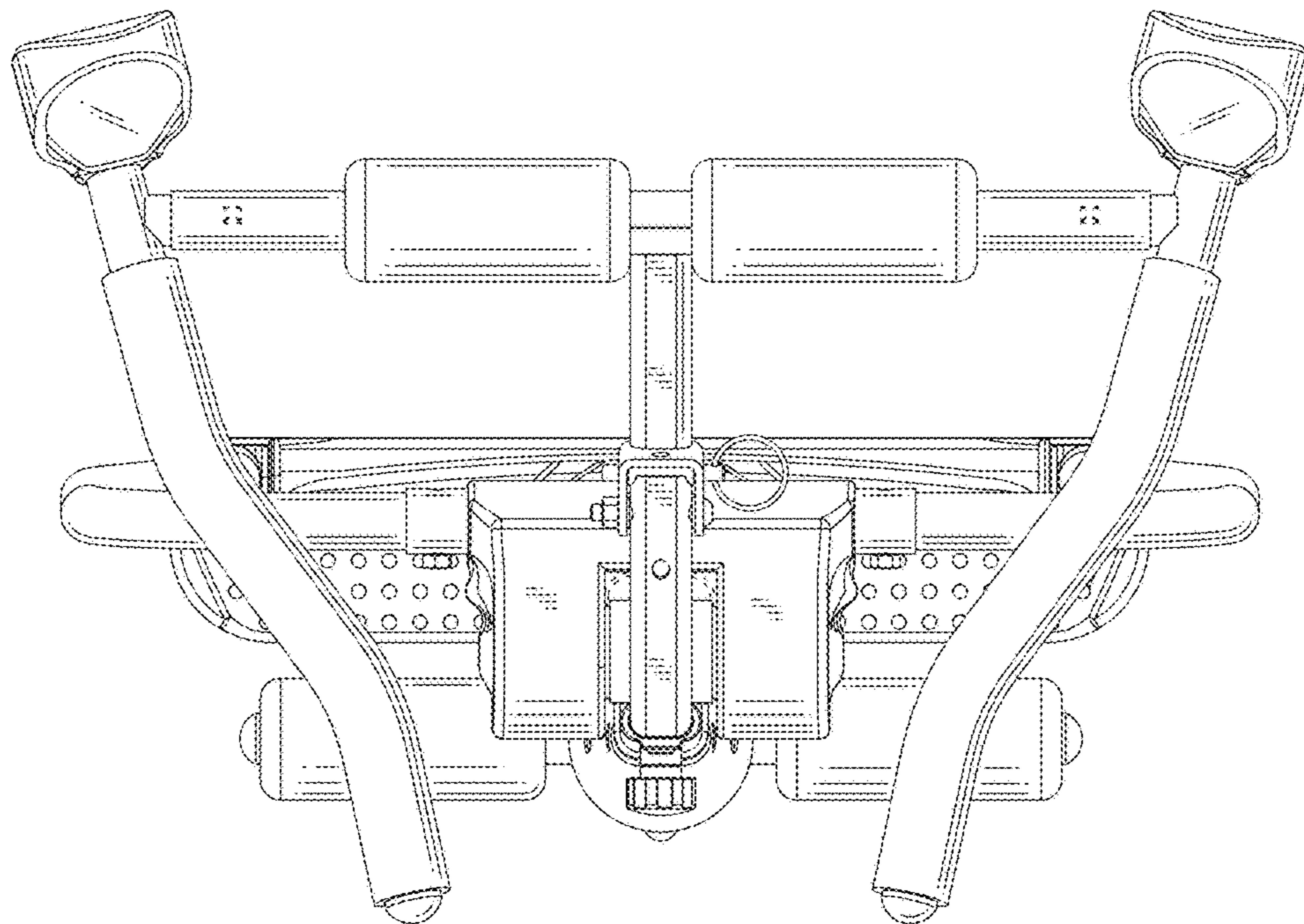


FIG. 6

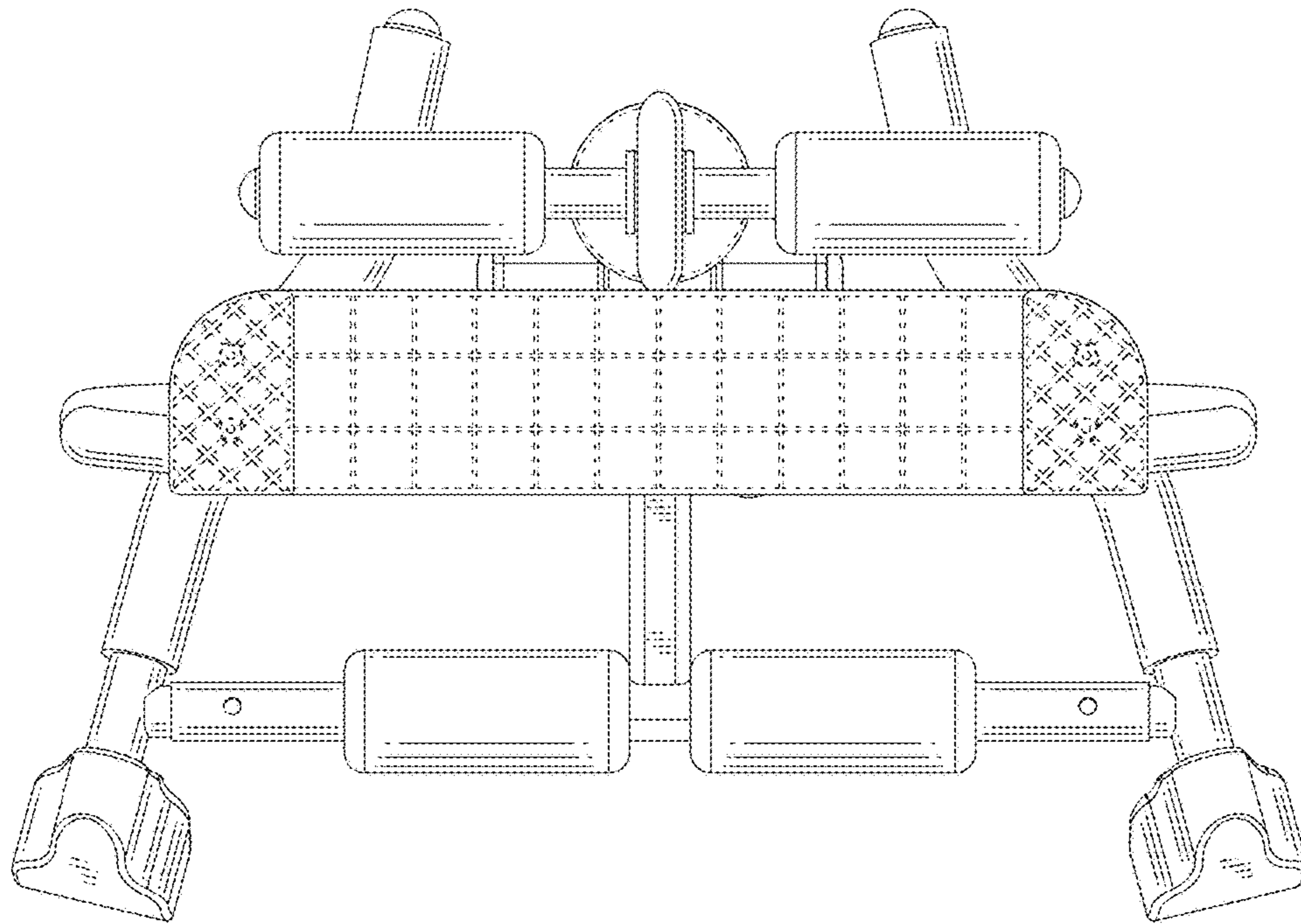


FIG. 7