



US00D798969S

(12) **United States Design Patent**
Lozito

(10) **Patent No.:** **US D798,969 S**

(45) **Date of Patent:** **** Oct. 3, 2017**

(54) **FITNESS WEIGHT**

(71) Applicant: **Michael Lozito**, Stormville, NY (US)

(72) Inventor: **Michael Lozito**, Stormville, NY (US)

(**) Term: **15 Years**

(21) Appl. No.: **29/556,271**

(22) Filed: **Feb. 29, 2016**

(51) **LOC (10) Cl.** **21-02**

(52) **U.S. Cl.**
USPC **D21/682**

(58) **Field of Classification Search**
USPC ... 482/93, 106, 109, 110, 139, 38, 126, 108,
482/104, 49, 141, 41, 88, 44, 45, 51, 52,
482/105; D21/692, 662, 680, 684, 686,
D21/679, 682, 691, 688, 814, 681, 694,
D21/713, 398, 707, 693; D3/262, 276,
D3/282, 294, 905; D1/120; D30/160;
D9/524; 52/650.2
CPC A63B 21/0728; A63B 21/075; A63B
21/0724; A63B 21/0726; A63B 21/072;
A63B 21/00065; A63B 1/00; A63B
21/0783; A63B 21/0004; A63B 23/12
See application file for complete search history.

6,387,022 B1 * 5/2002 Smith A63B 43/02
482/106
D464,095 S * 10/2002 Yu D21/662
6,514,179 B1 * 2/2003 Yu A63B 21/0004
482/110
D494,233 S * 8/2004 Kerry D21/662
D495,014 S * 8/2004 Zabel D21/662
6,773,377 B1 * 8/2004 Yu A61H 7/003
482/108
D498,799 S * 11/2004 Kerry D21/662
D545,509 S * 6/2007 Wang D30/160
D552,696 S * 10/2007 Hallar D21/662
7,326,158 B1 * 2/2008 Wang A63B 21/06
482/132
D568,950 S * 5/2008 Yewer, Jr. D21/662
7,972,250 B2 * 7/2011 Viselman A63B 21/072
482/141
D650,536 S * 12/2011 Oblack D21/713
D651,671 S * 1/2012 Ross D21/662

(Continued)

Primary Examiner — Robert M Spear
Assistant Examiner — Ryan Harvey
(74) *Attorney, Agent, or Firm* — Womble Carlyle
Sandridge & Rice, LLP

(57) **CLAIM**

The ornamental design for a fitness weight, as shown and described.

DESCRIPTION

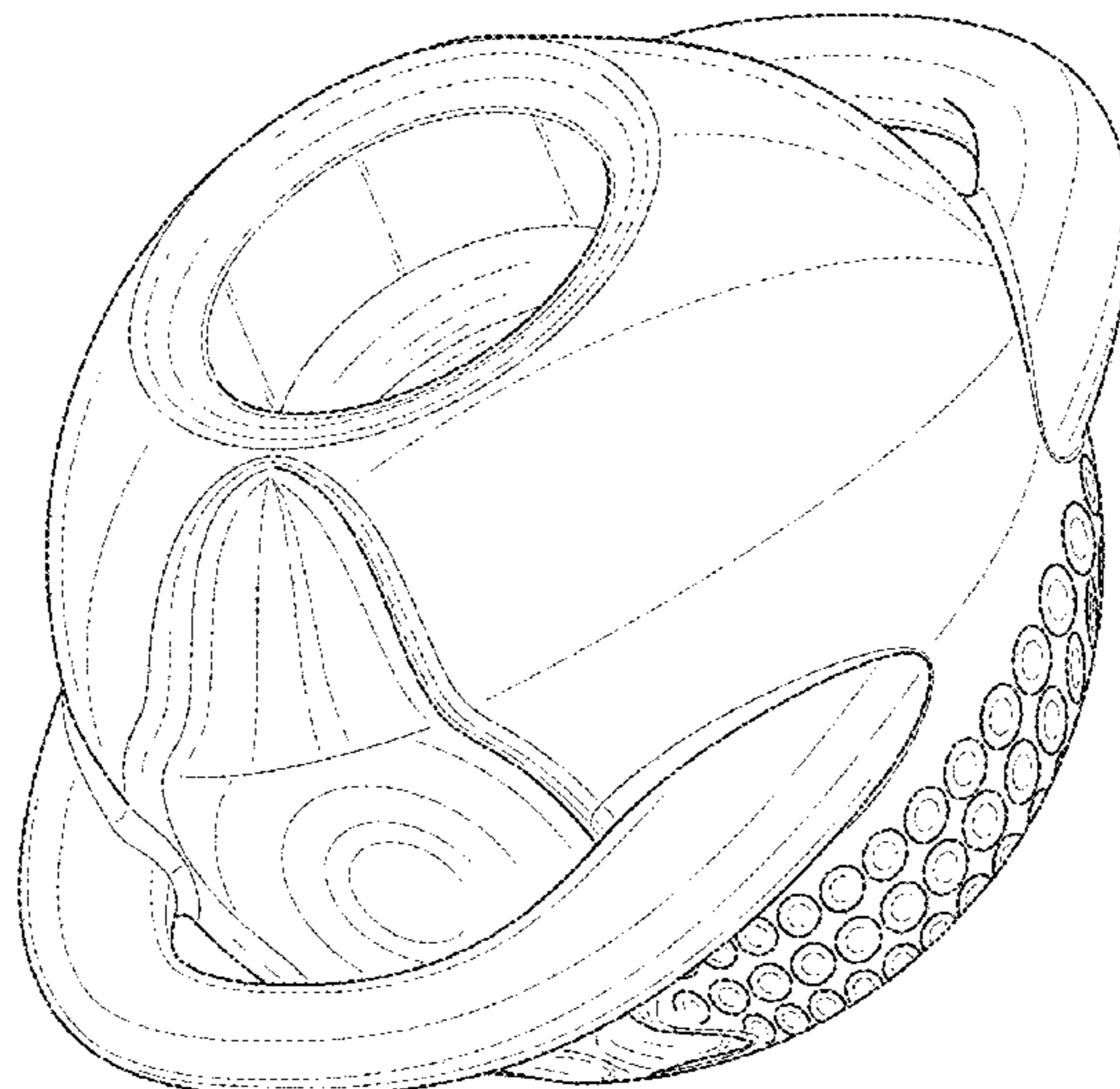
FIG. 1 is a perspective view of a fitness weight showing my new design;
FIG. 2 is a top plan view of the fitness weight of FIG. 1;
FIG. 3 is a bottom plan view of the fitness weight of FIG. 1;
FIG. 4 is a left side view of the fitness weight of FIG. 1;
FIG. 5 is a right side view of the fitness weight of FIG. 1;
FIG. 6 is a front view of the fitness weight of FIG. 1; and,
FIG. 7 is a rear view of the fitness weight of FIG. 1.

1 Claim, 7 Drawing Sheets

(56) **References Cited**

U.S. PATENT DOCUMENTS

D241,869 S * 10/1976 Hilprecht D21/713
D242,865 S * 12/1976 Stamm D21/682
D363,752 S * 10/1995 Shumber D21/678
D370,951 S * 6/1996 Lazar D21/692
5,735,776 A * 4/1998 Swezey A63B 21/0085
473/596
6,003,470 A * 12/1999 Budman A01K 15/025
119/711
D431,608 S * 10/2000 Lin D21/398



(56)

References Cited

U.S. PATENT DOCUMENTS

D659,204 S * 5/2012 Cotter A63B 43/02
D21/662
D660,384 S * 5/2012 Saber D21/707
8,454,483 B1 * 6/2013 Bradley A63B 21/072
482/44
D698,875 S * 2/2014 Childs D21/662
8,870,719 B2 * 10/2014 Johnson A63B 21/075
482/44
D718,825 S * 12/2014 Ross D21/662
D725,723 S * 3/2015 Eddie D21/680
D736,483 S * 8/2015 Crane D30/160
D746,002 S * 12/2015 Crane D30/160
D762,788 S * 8/2016 Slowey D21/680
D779,599 S * 2/2017 Jung D21/681
9,623,274 B2 * 4/2017 Holt, IV A63B 21/072
D789,461 S * 6/2017 Magloire D21/682
2003/0060346 A1 * 3/2003 Wu A63B 21/06
482/108
2011/0263393 A1 * 10/2011 Ross A63B 21/072
482/93
2011/0263394 A1 * 10/2011 Viselman A63B 21/00061
482/93
2012/0053024 A1 * 3/2012 Mendoza A63B 21/072
482/106
2012/0157270 A1 * 6/2012 Johnson A63B 21/075
482/93
2014/0024507 A1 * 1/2014 Hagos A63B 21/0726
482/108

* cited by examiner

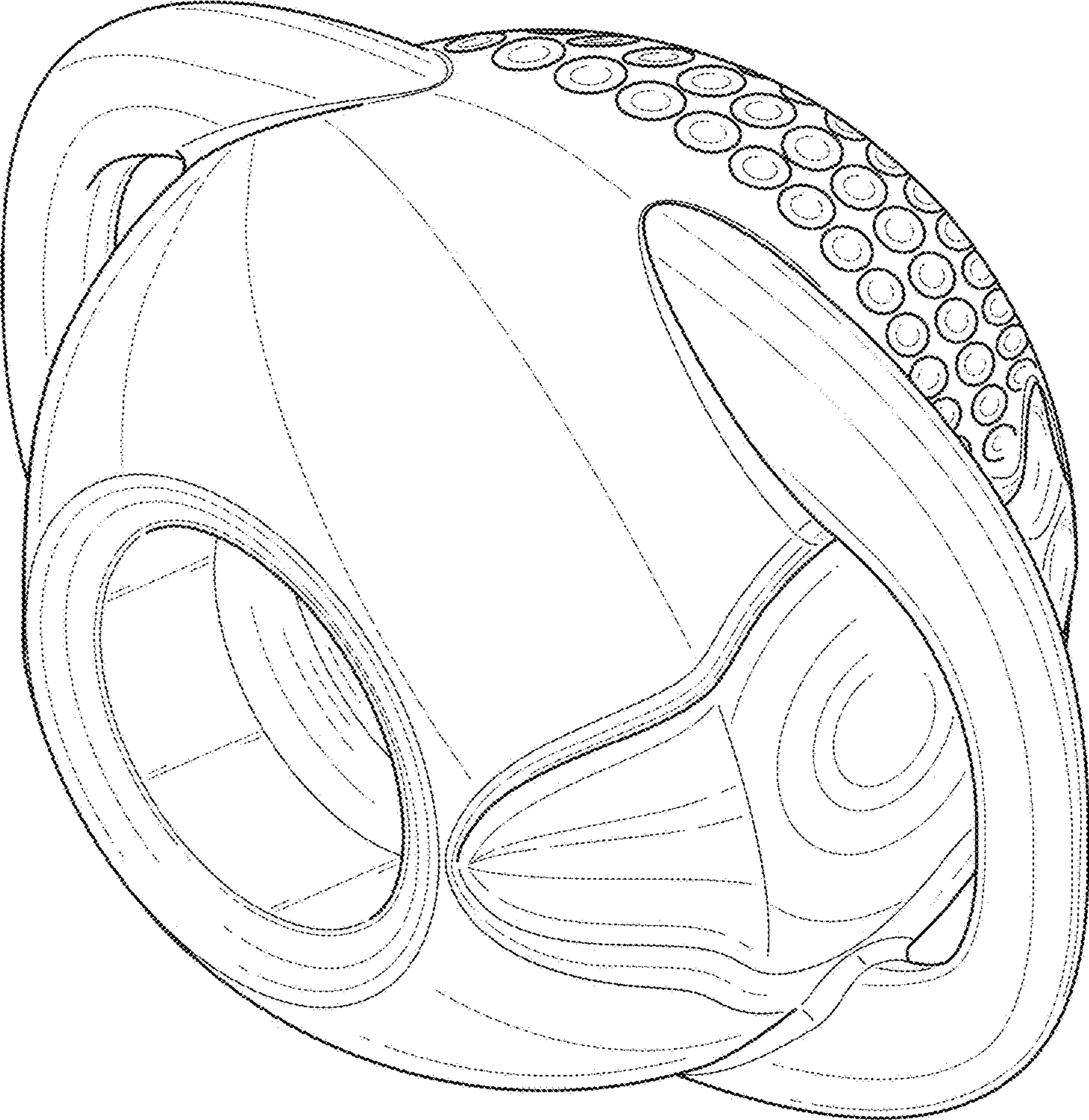


FIG. 1

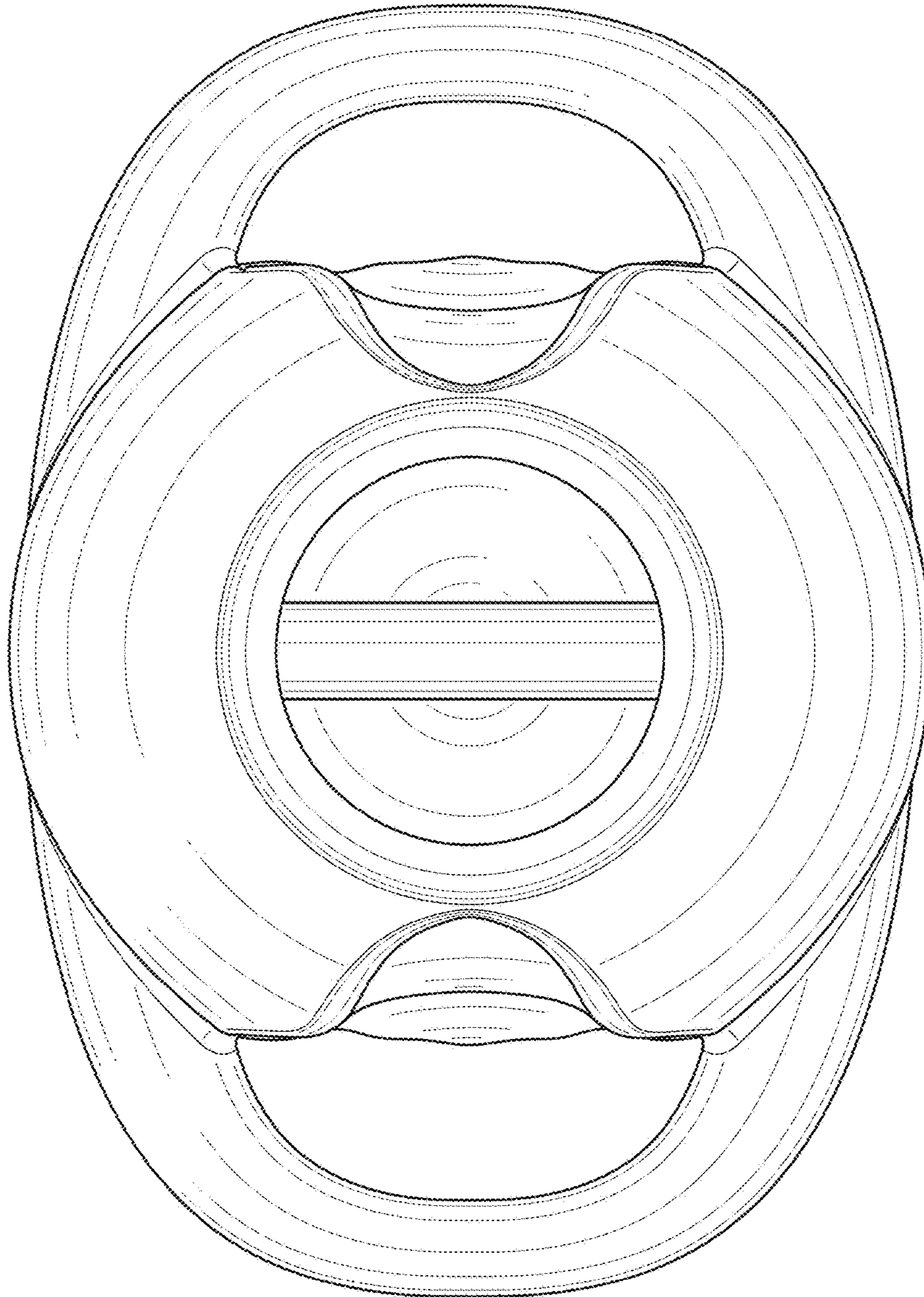


FIG. 2

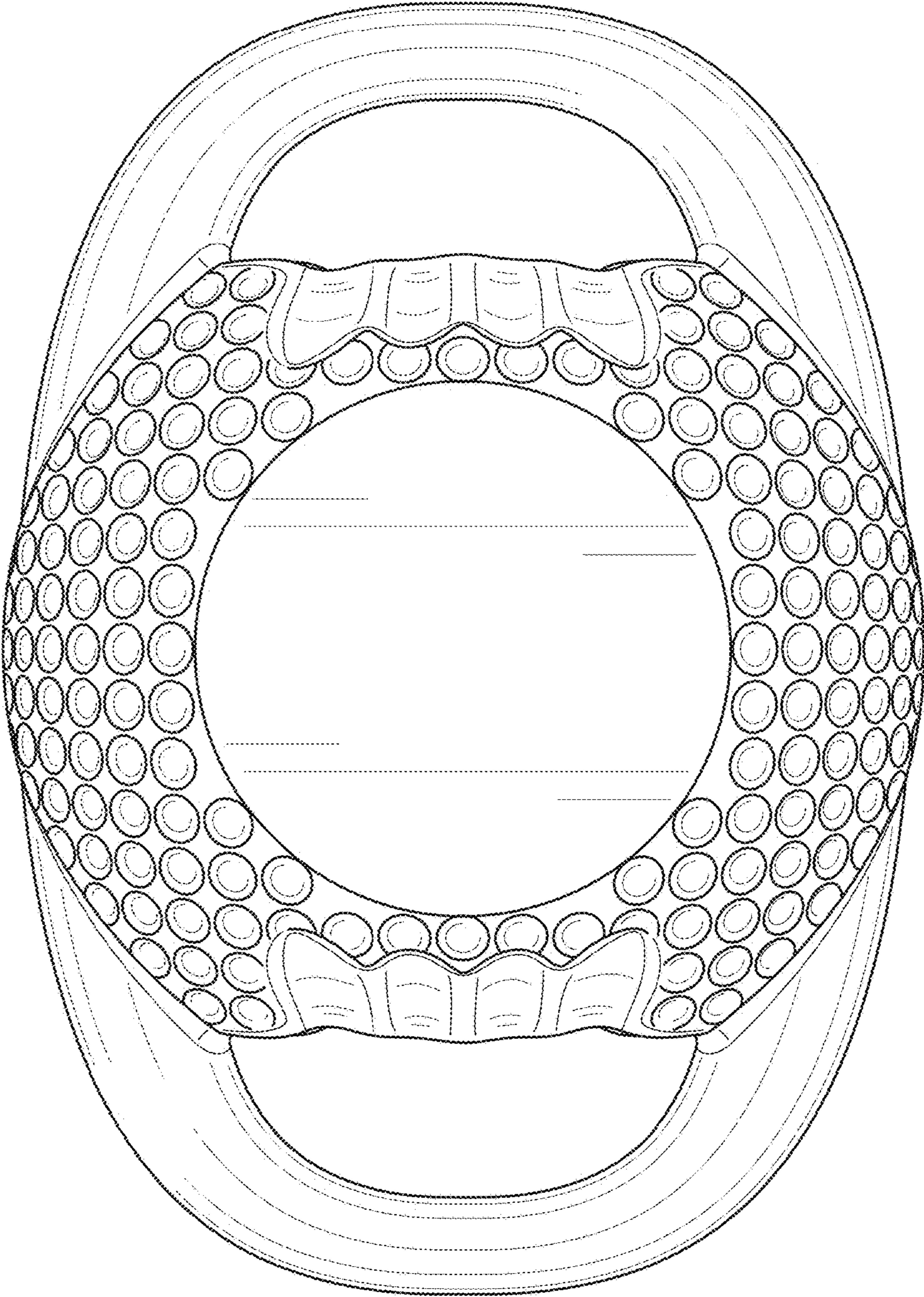


FIG. 3

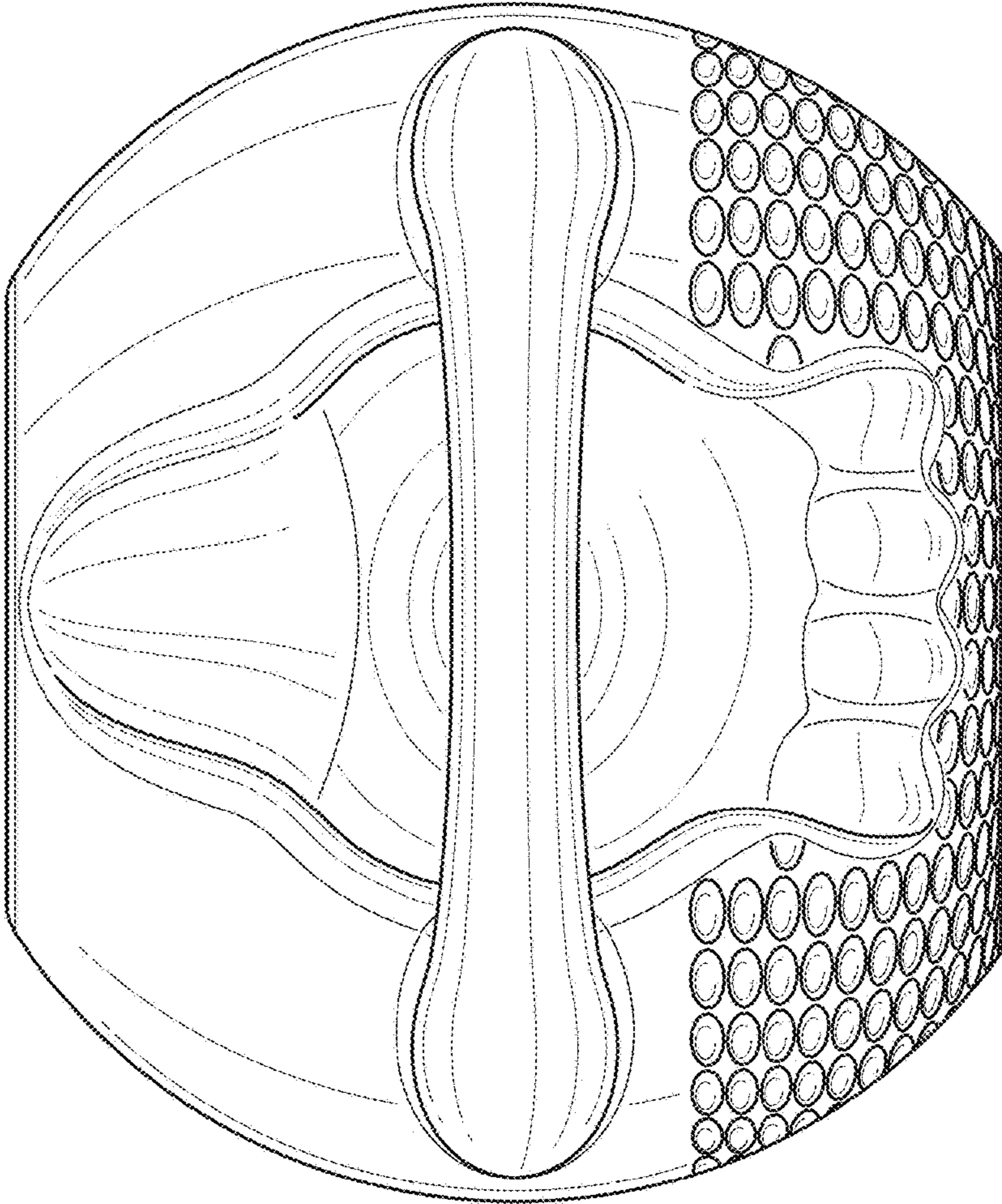


FIG. 4

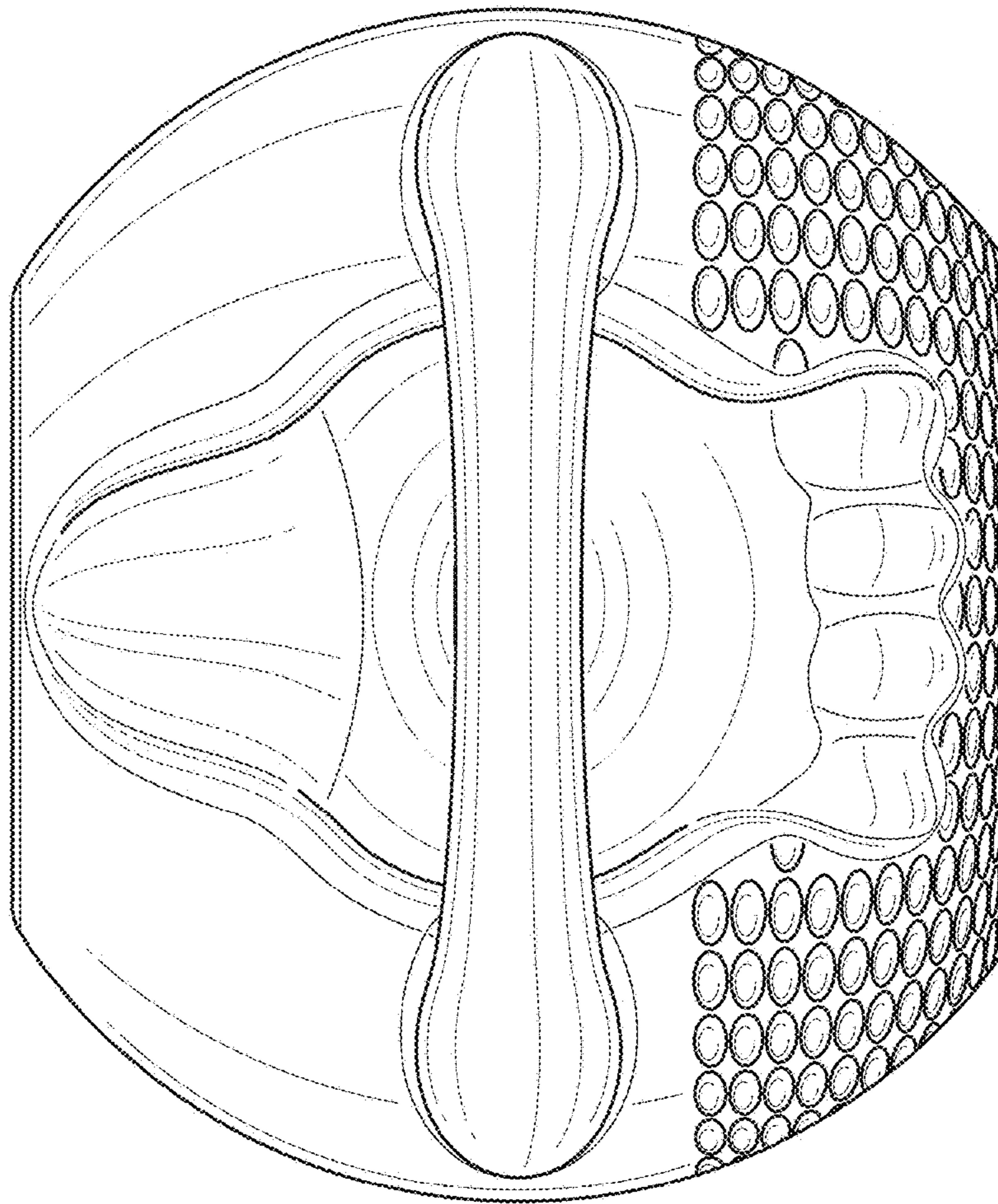


FIG. 5

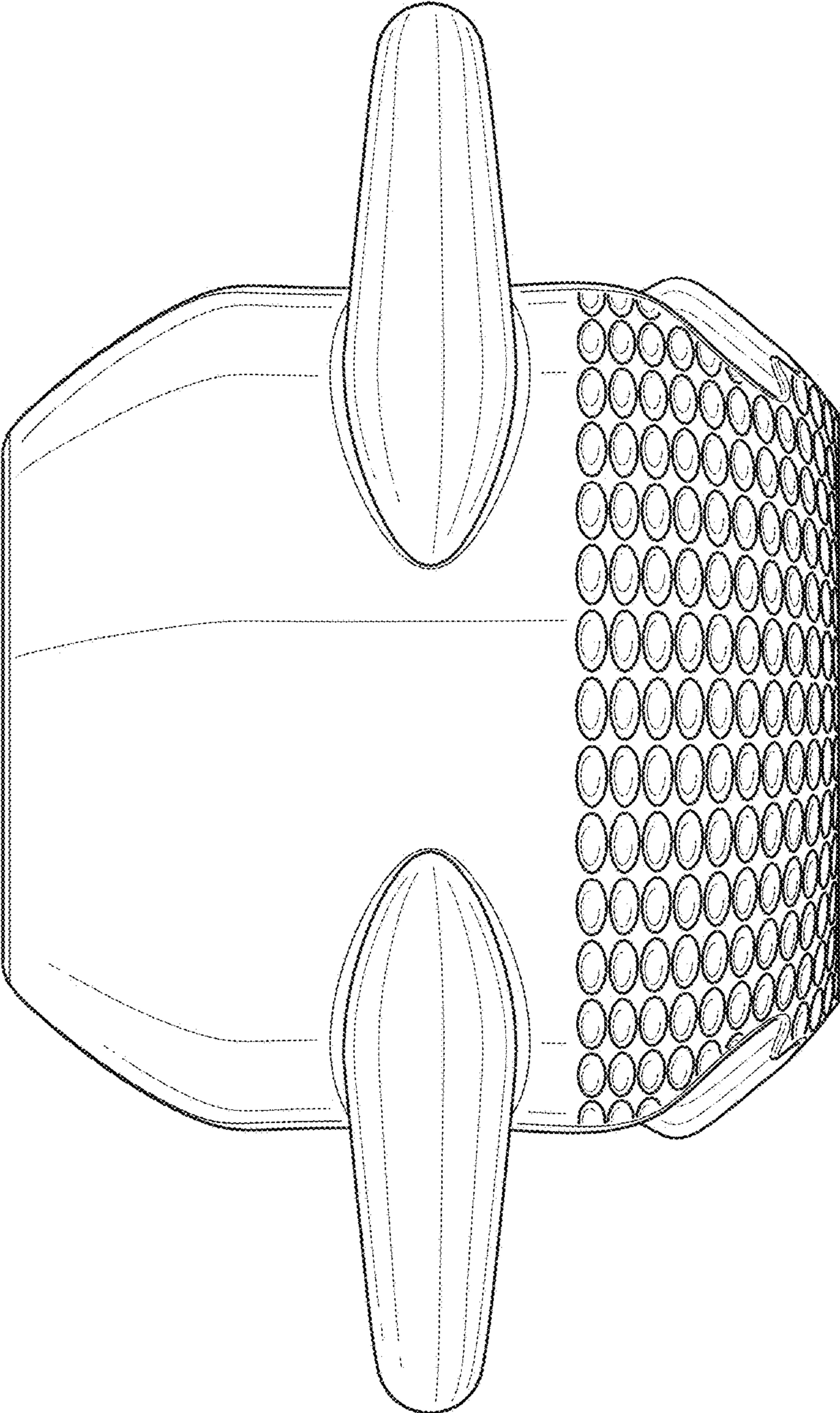


FIG. 6

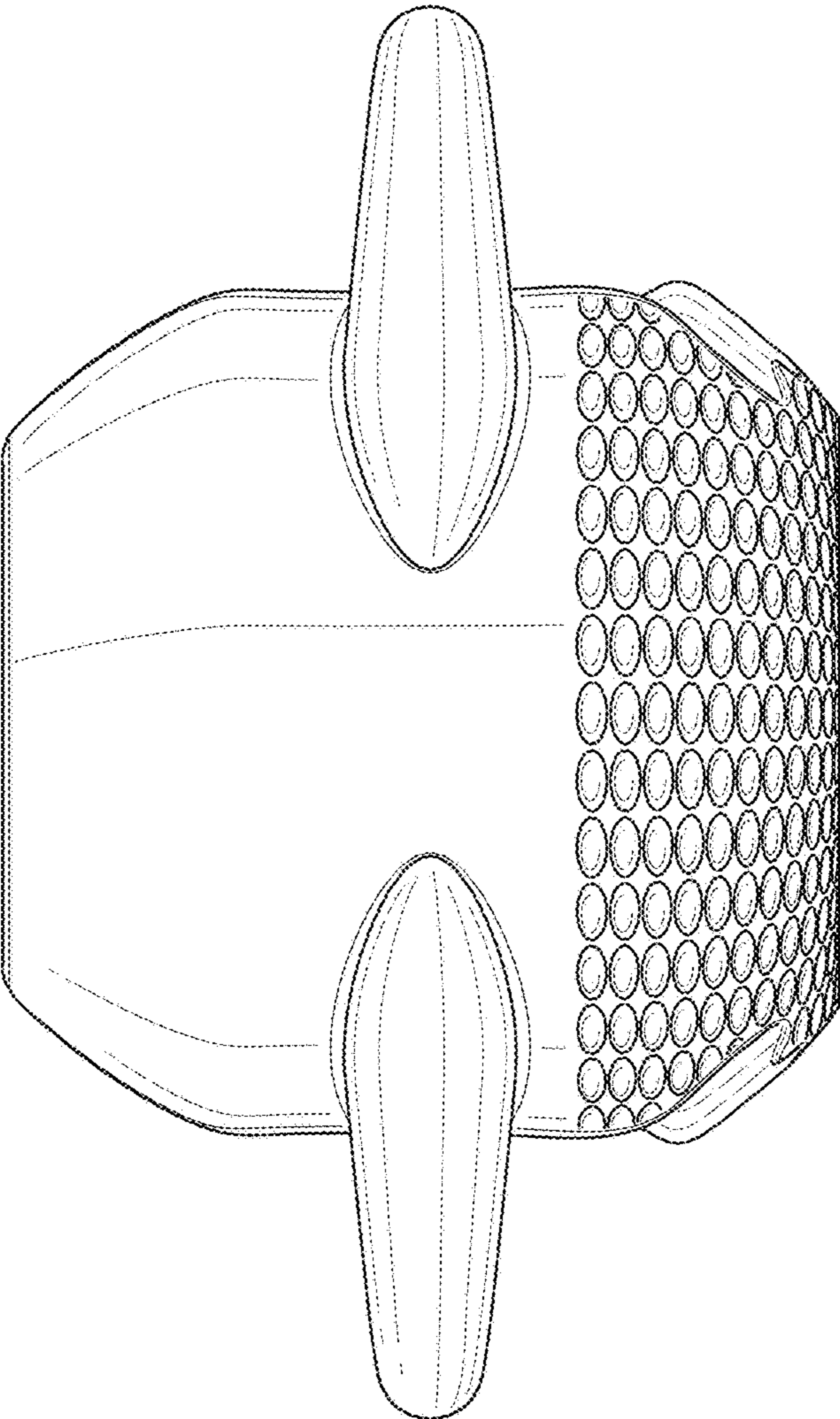


FIG. 7