



US00D798967S

(12) **United States Design Patent**
Tompkin

(10) **Patent No.:** **US D798,967 S**

(45) **Date of Patent:** **** Oct. 3, 2017**

- (54) **REMOTE CONTROL DINOSAUR**
- (71) Applicant: **MerchSource, LLC**, Irvine, CA (US)
- (72) Inventor: **Crispian Tompkin**, El Segundo, CA (US)
- (73) Assignee: **MerchSource, LLC**, Irvine, CA (US)
- (**) Term: **15 Years**
- (21) Appl. No.: **29/579,075**
- (22) Filed: **Sep. 27, 2016**
- (51) **LOC (10) Cl.** **21-01**
- (52) **U.S. Cl.**
USPC **D21/615**
- (58) **Field of Classification Search**
USPC D6/598; D11/158; D21/576–585,
D21/587–592, 615; D30/160; 446/97,
446/356, 369, 376
CPC ... A63H 3/00; A63H 3/02; A63H 3/06; A63H
3/08; A63H 3/10; A63H 3/16; A63H
3/20; A63H 7/00; A63H 13/00; A63H
11/18; A63H 11/20
See application file for complete search history.

D353,663 S *	12/1994	Curren	D21/615
D663,792 S *	7/2012	Wong	D21/578
D747,777 S *	1/2016	Greenly	D21/578
D762,271 S *	7/2016	Chow	D21/578

* cited by examiner

Primary Examiner — Sandra Morris
(74) *Attorney, Agent, or Firm* — Avyno Law P.C.

(57) **CLAIM**

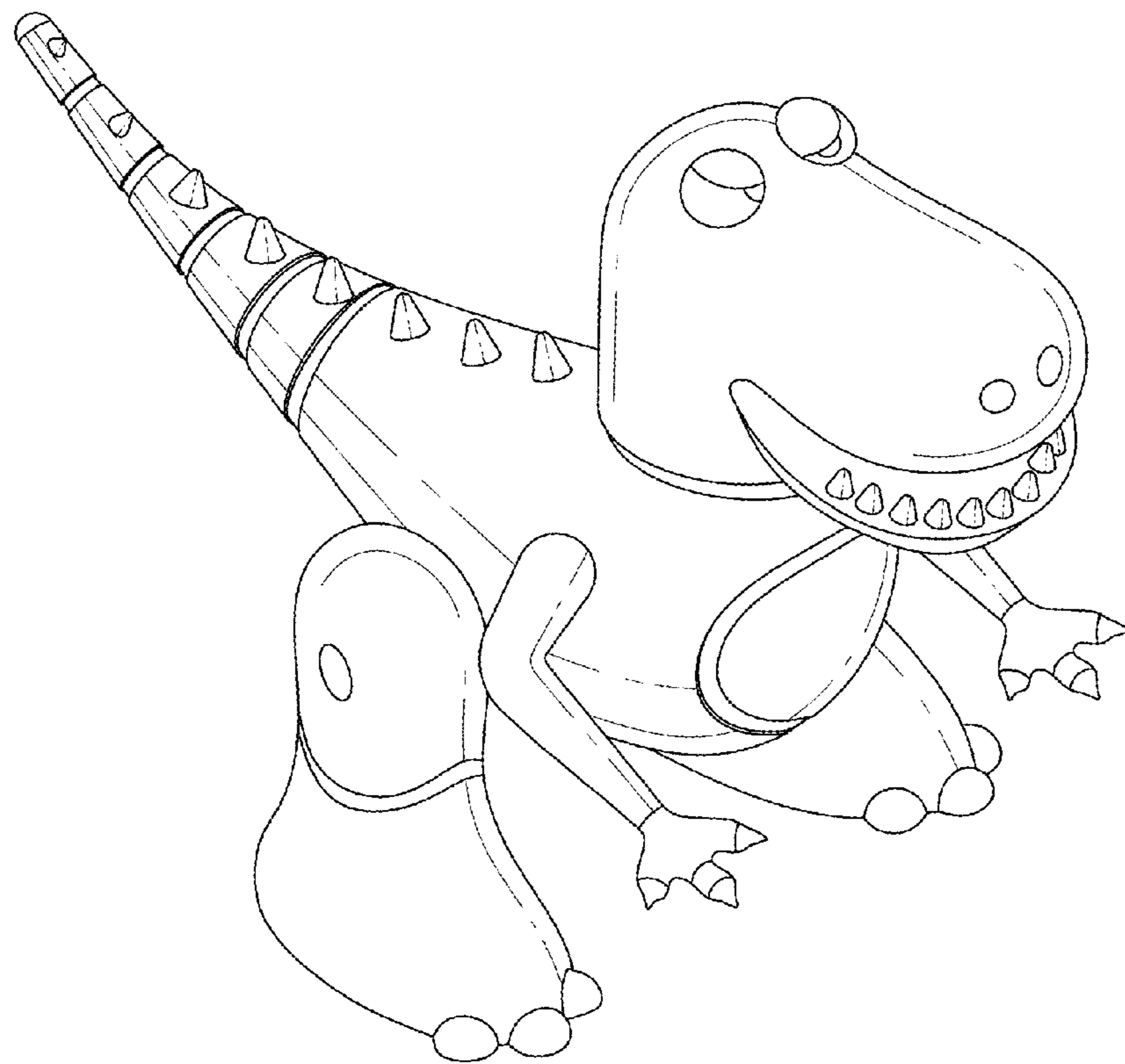
I claim the ornamental design for a remote control dinosaur, as shown and described.

DESCRIPTION

FIG. 1 is a front perspective of a remote control dinosaur. FIG. 2 is a side view of the left side of the remote control dinosaur of FIG. 1. FIG. 3 is a side view of the right side of the remote control dinosaur of FIG. 1. FIG. 4 is a front view of the remote control dinosaur of FIG. 1. FIG. 5 is a rear view of the remote control dinosaur of FIG. 1. FIG. 6 is a top view of the remote control dinosaur of FIG. 1; and, FIG. 7 is a bottom view of the remote control dinosaur of FIG. 1.

1 Claim, 6 Drawing Sheets

- (56) **References Cited**
U.S. PATENT DOCUMENTS
D247,053 S * 1/1978 Dawson D21/615
5,080,626 A * 1/1992 Maddi A63H 3/14
446/368



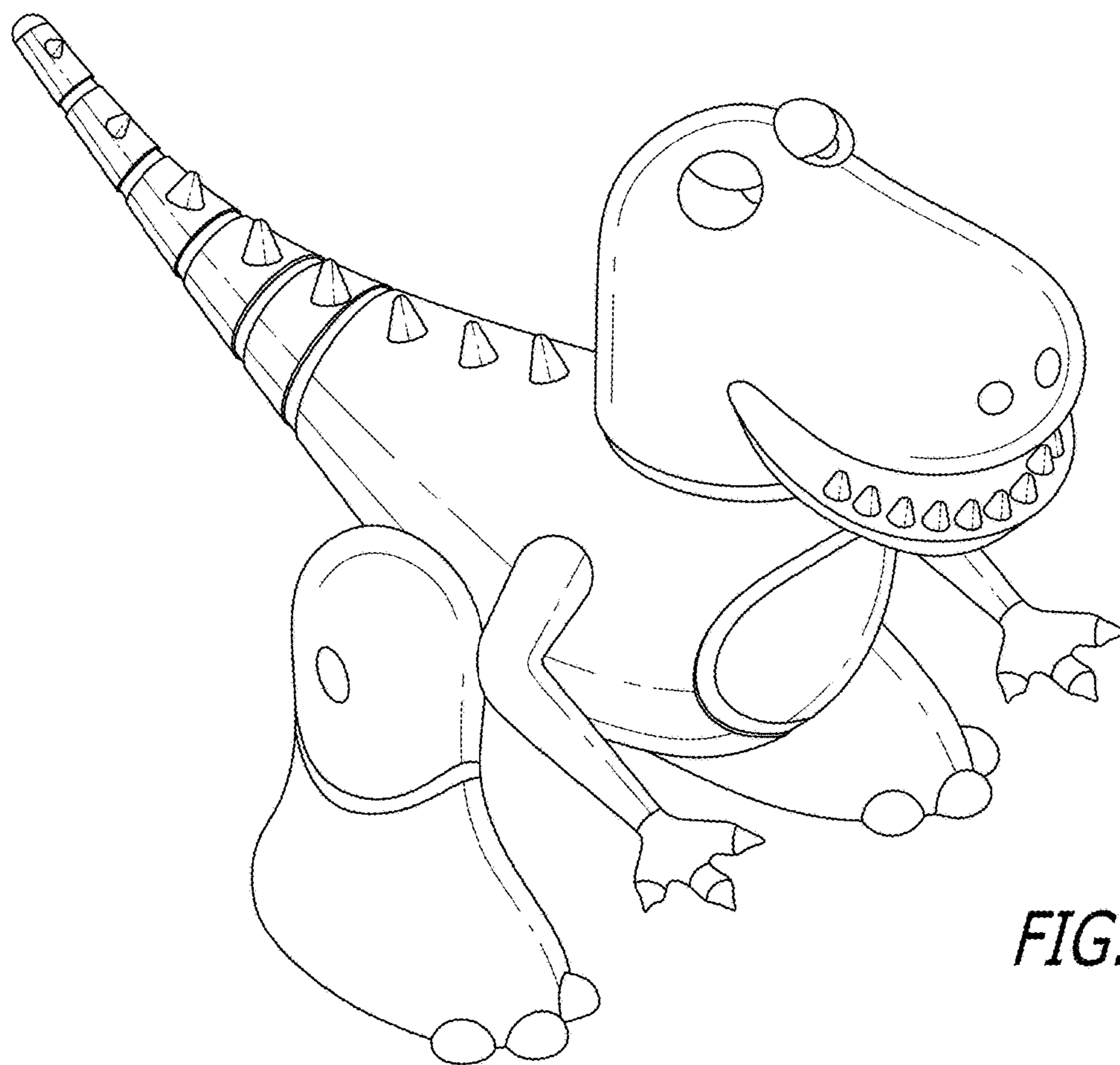
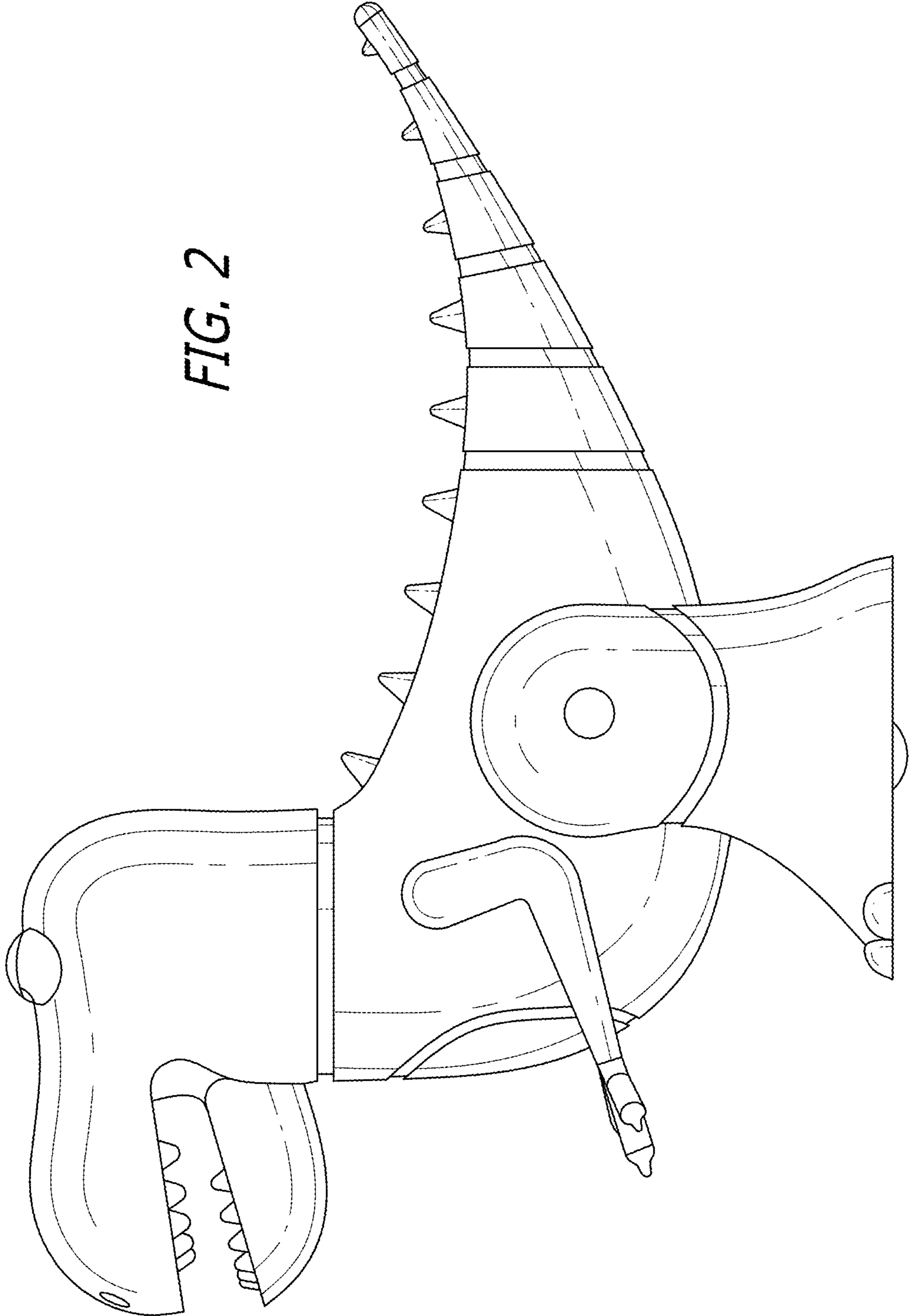


FIG. 1

FIG. 2



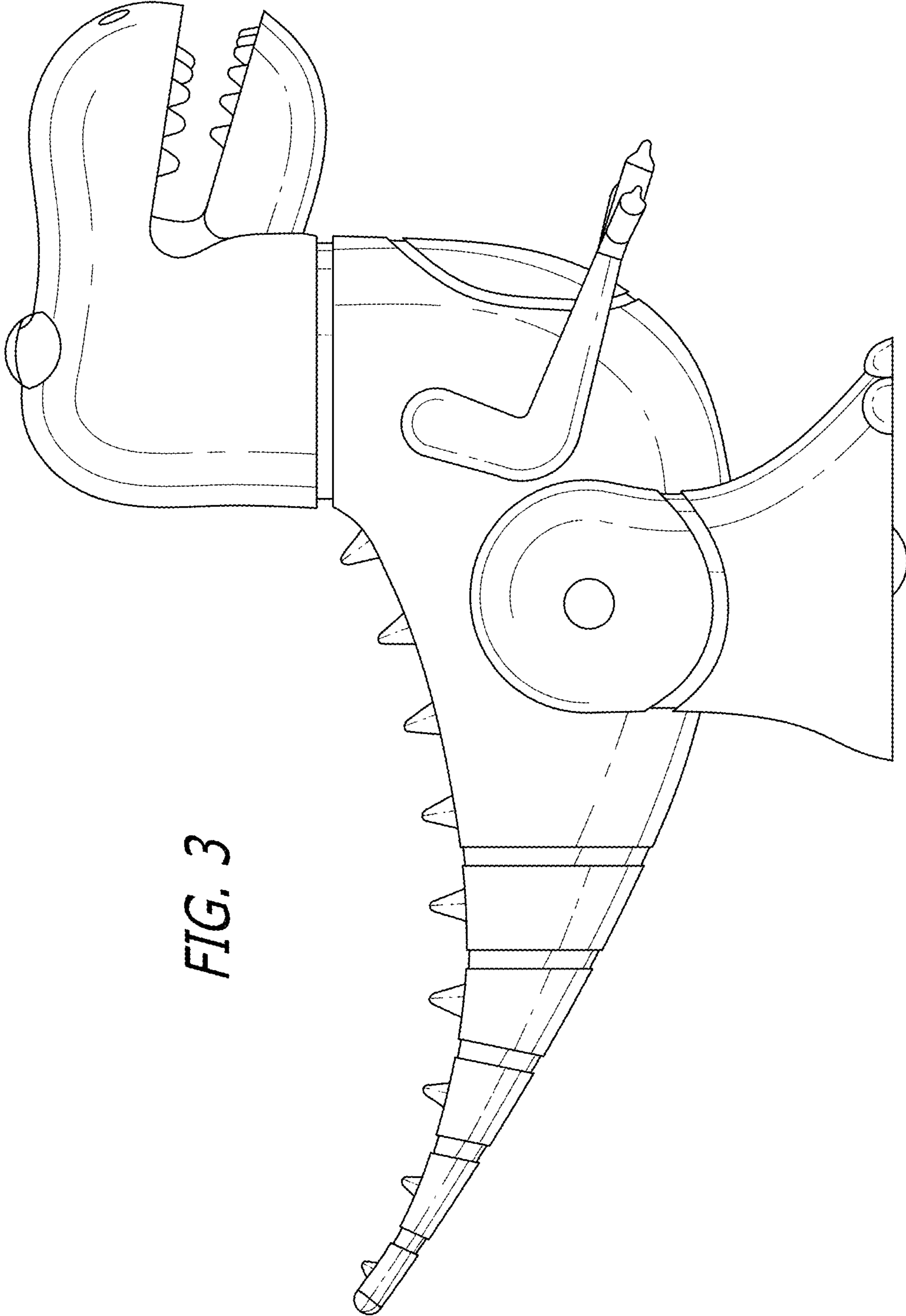


FIG. 3

FIG. 5

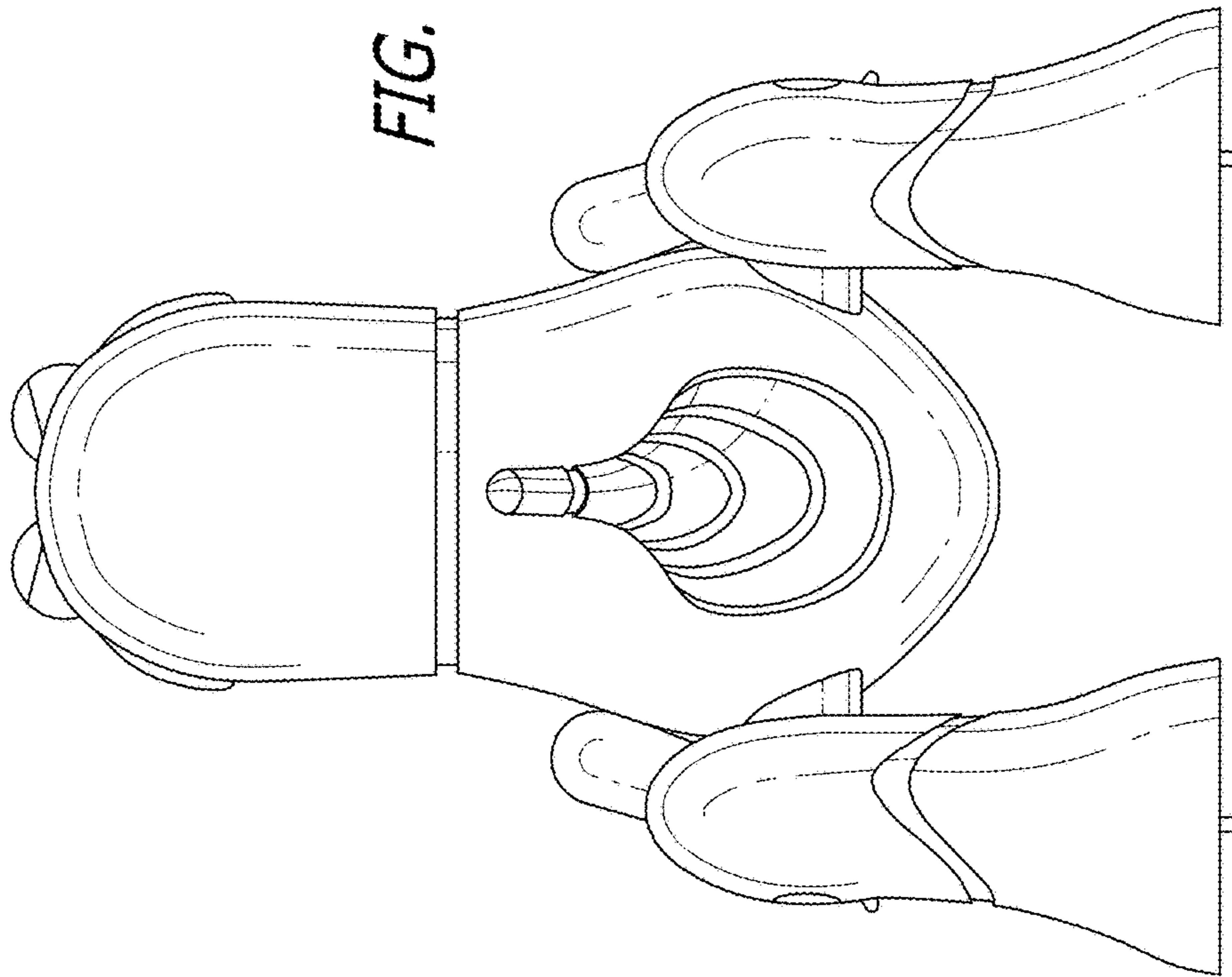
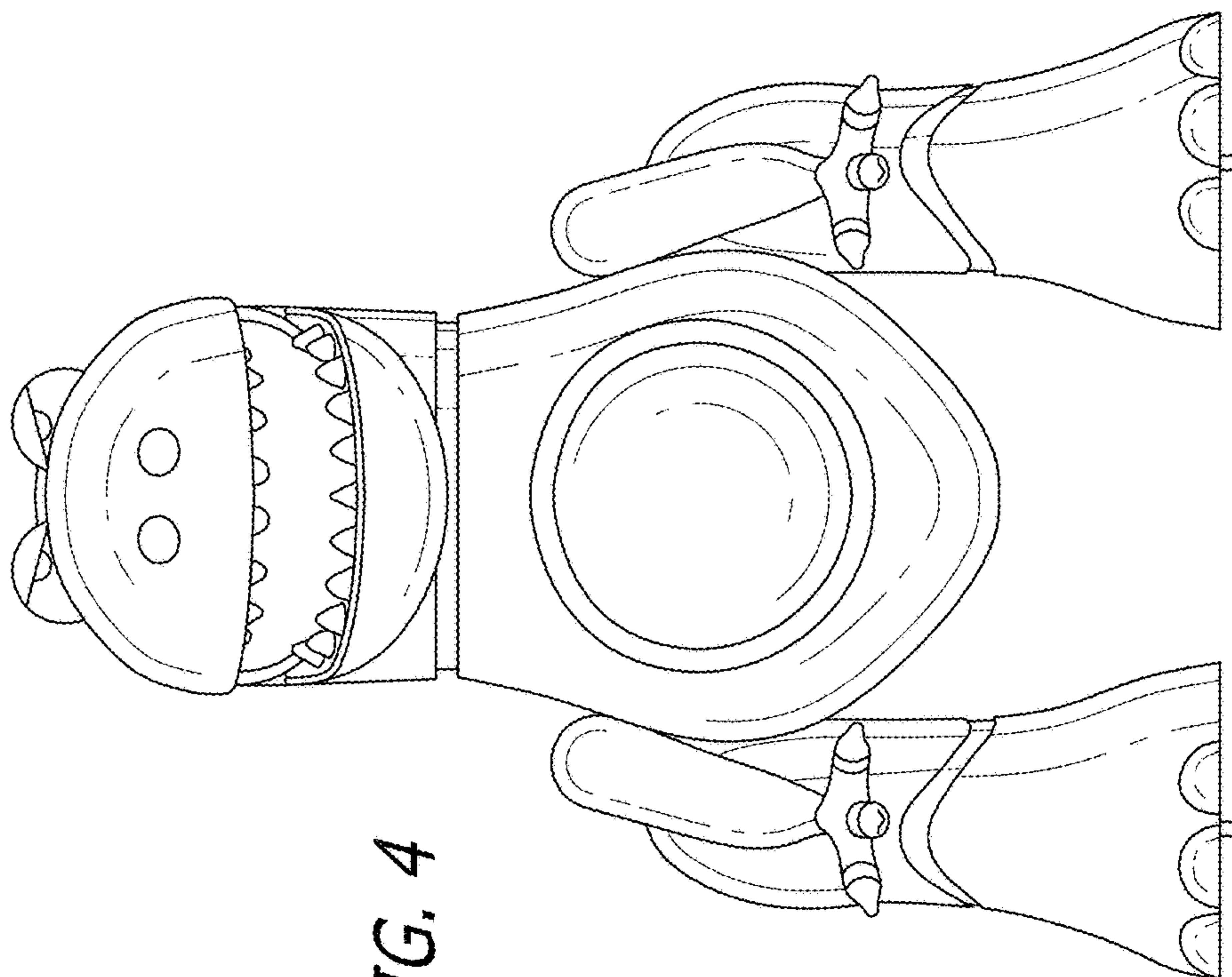


FIG. 4



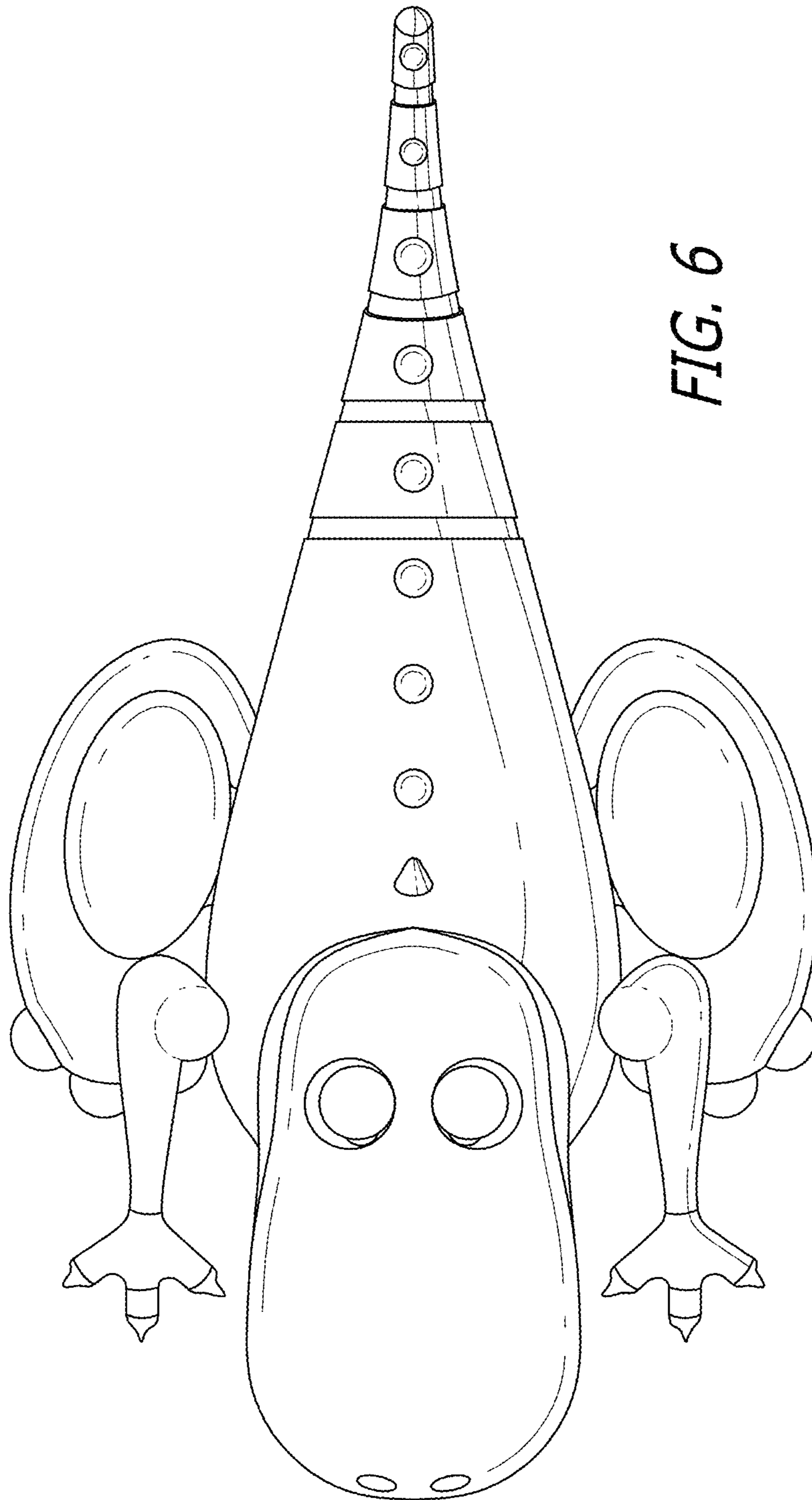


FIG. 6

FIG. 7

