



US00D798966S

(12) **United States Design Patent**
Deutsch

(10) **Patent No.:** **US D798,966 S**

(45) **Date of Patent:** **** Oct. 3, 2017**

- (54) **TOY BUILDING BLOCK**
- (71) Applicant: **David Deutsch**, Brooklyn, NY (US)
- (72) Inventor: **David Deutsch**, Brooklyn, NY (US)
- (**) Term: **15 Years**
- (21) Appl. No.: **29/573,551**
- (22) Filed: **Aug. 8, 2016**
- (51) **LOC (10) Cl.** **21-01**
- (52) **U.S. Cl.**
USPC **D21/500**
- (58) **Field of Classification Search**
USPC D21/333, 373, 386, 389, 404, 468, 470,
D21/471, 475, 484-505; 446/69, 85,
446/102-128; 434/167, 208, 259, 403;
273/153, 156, 160; D24/101; D25/113,
D25/118
CPC A63H 33/04; A63H 33/06; A63H 33/062;
A63H 33/08; A63H 33/084; A63H
33/088; A63F 9/12; A63F 9/1224
See application file for complete search history.

(56) **References Cited**

U.S. PATENT DOCUMENTS

- 2,940,211 A * 6/1960 Kelley A63H 33/084
446/124
- 3,005,131 A * 10/1961 Melcher H01R 13/514
174/252
- D235,570 S * 6/1975 Barton D21/499
- D238,168 S * 12/1975 Ketcham D21/504
- D255,039 S * 5/1980 Gale 446/124
- 4,446,649 A * 5/1984 Moe A63H 17/264
446/128
- 5,061,218 A * 10/1991 Garage A63H 33/086
446/102
- 5,069,647 A * 12/1991 Zuviria A63H 33/08
446/120
- D336,320 S * 6/1993 Sher D21/499

- 6,450,853 B1 * 9/2002 Larws A63H 33/101
446/122
- D506,790 S * 6/2005 Gee D21/479
- D689,625 S * 9/2013 Antal D25/113
- D718,392 S * 11/2014 Weiss D21/500
- D718,393 S * 11/2014 Weiss D21/500
- D718,394 S * 11/2014 Weiss A63H 33/086
D21/500
- 2016/0288009 A1 * 10/2016 Lambert A63H 33/105

* cited by examiner

Primary Examiner — Cynthia M Chin

(74) *Attorney, Agent, or Firm* — Michael J. Feigin, Esq.;
Feigin & Fridman

(57) **CLAIM**

The ornamental design for a toy building block, as shown and described.

DESCRIPTION

FIG. 1 shows a top and side perspective view of the toy building block.

FIG. 2 shows a bottom and side perspective view thereof. FIG. 3 shows first elevation view thereof, the opposite site being a mirror image thereof.

FIG. 4 shows a second elevation view thereof, the opposite site being a mirror image thereof.

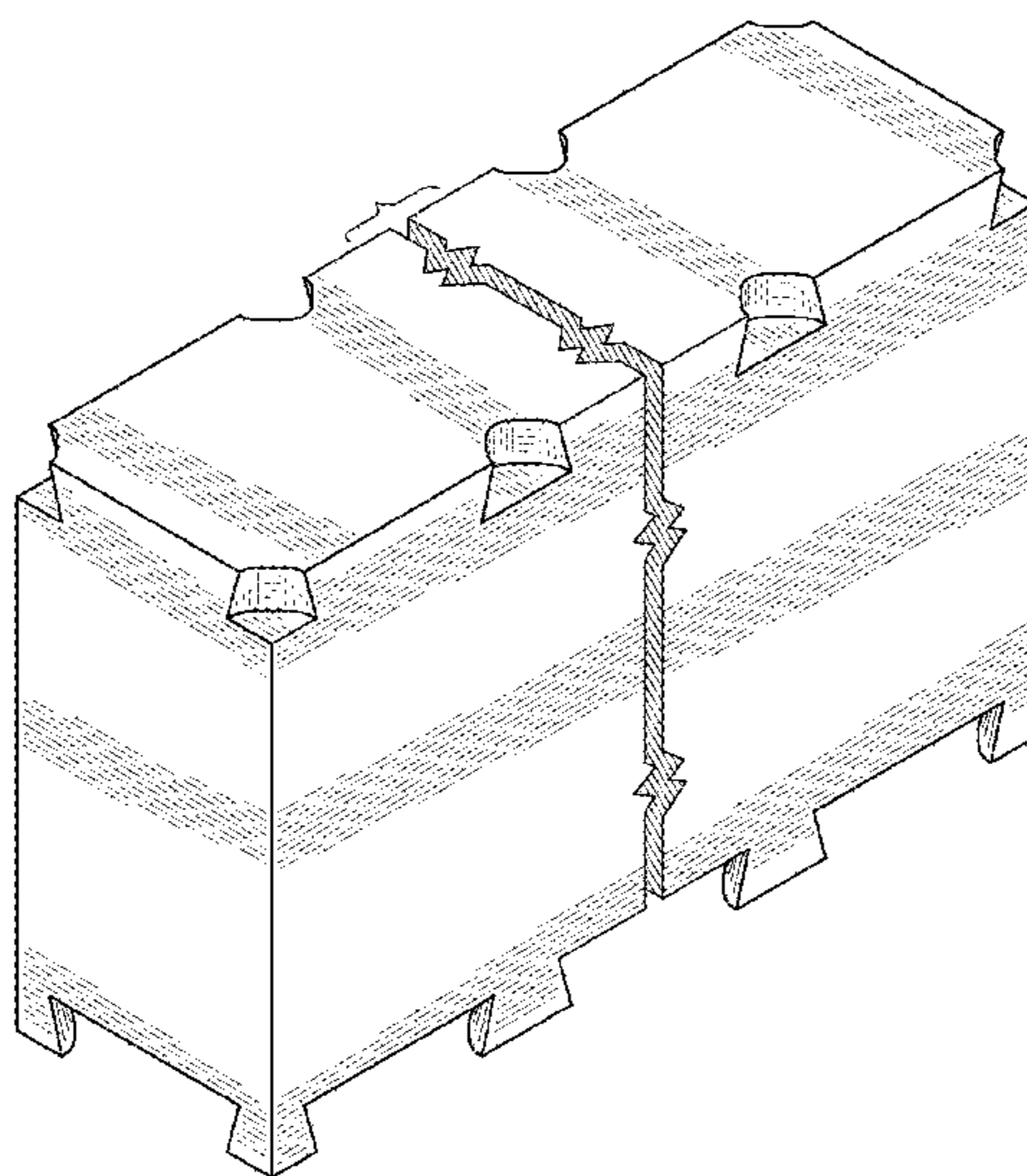
FIG. 5 shows a top plan view thereof.

FIG. 6 shows a bottom plan view thereof, the dotted lines represent the bounds of the claim which form no part of the claimed design; and,

FIG. 7 shows the toy building block connecting a plurality of additional toy building blocks, the dotted lines representing the environment in which the article resides and forms no part of the claimed design.

The broken away symbols in the drawings indicate the appearance of any portion of the article between the break lines forms no part of the claimed design.

1 Claim, 6 Drawing Sheets



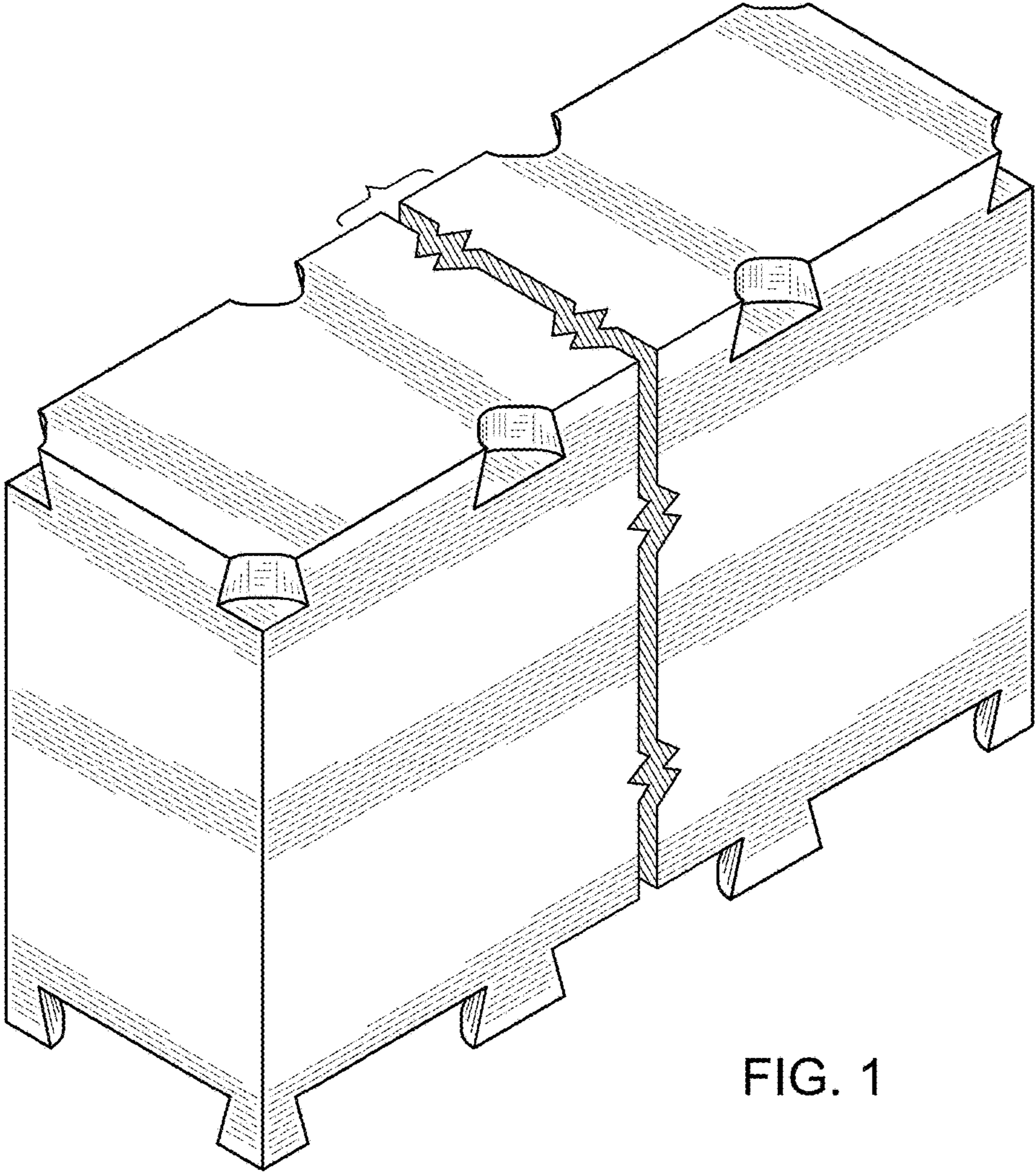


FIG. 1

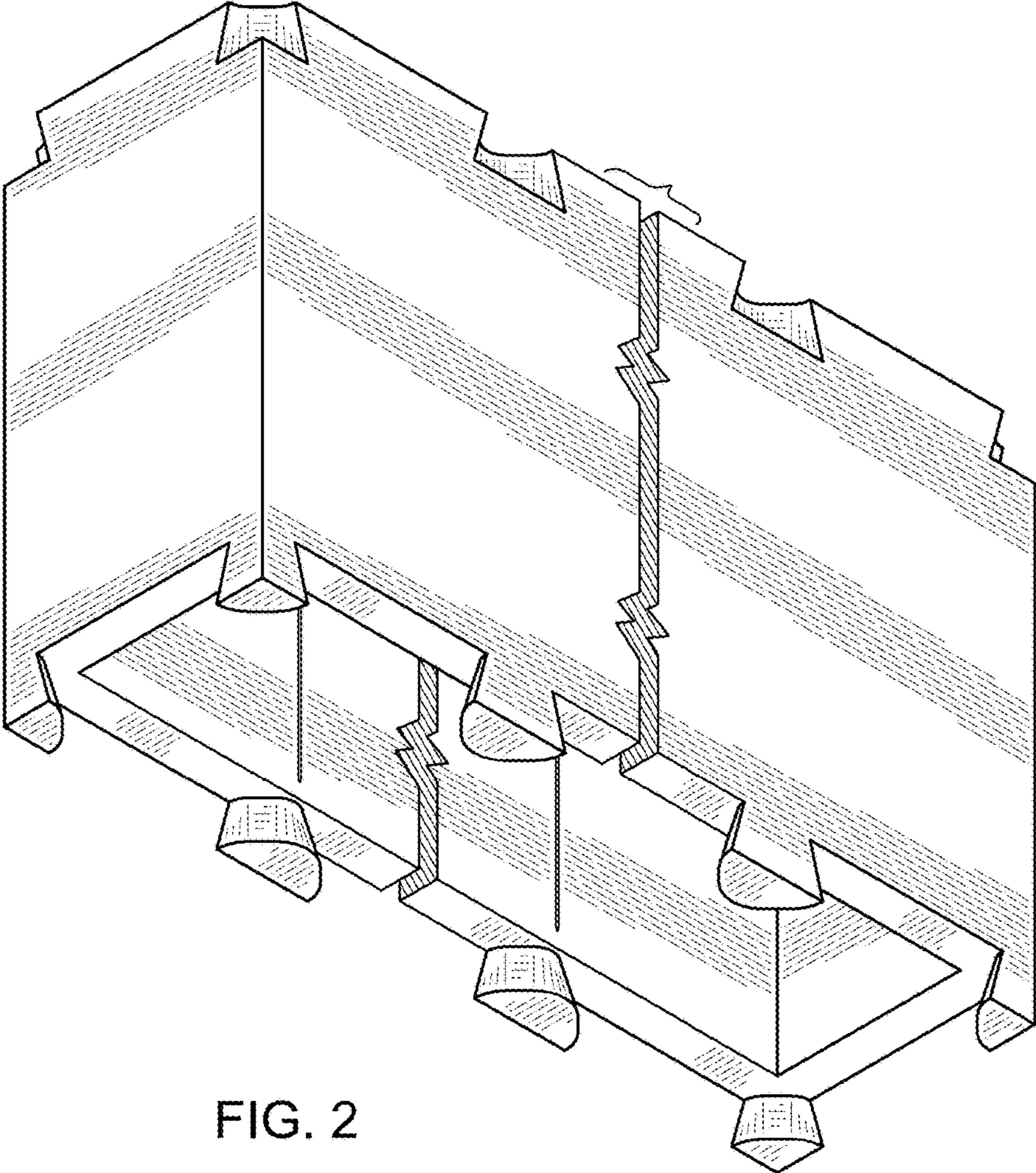


FIG. 2

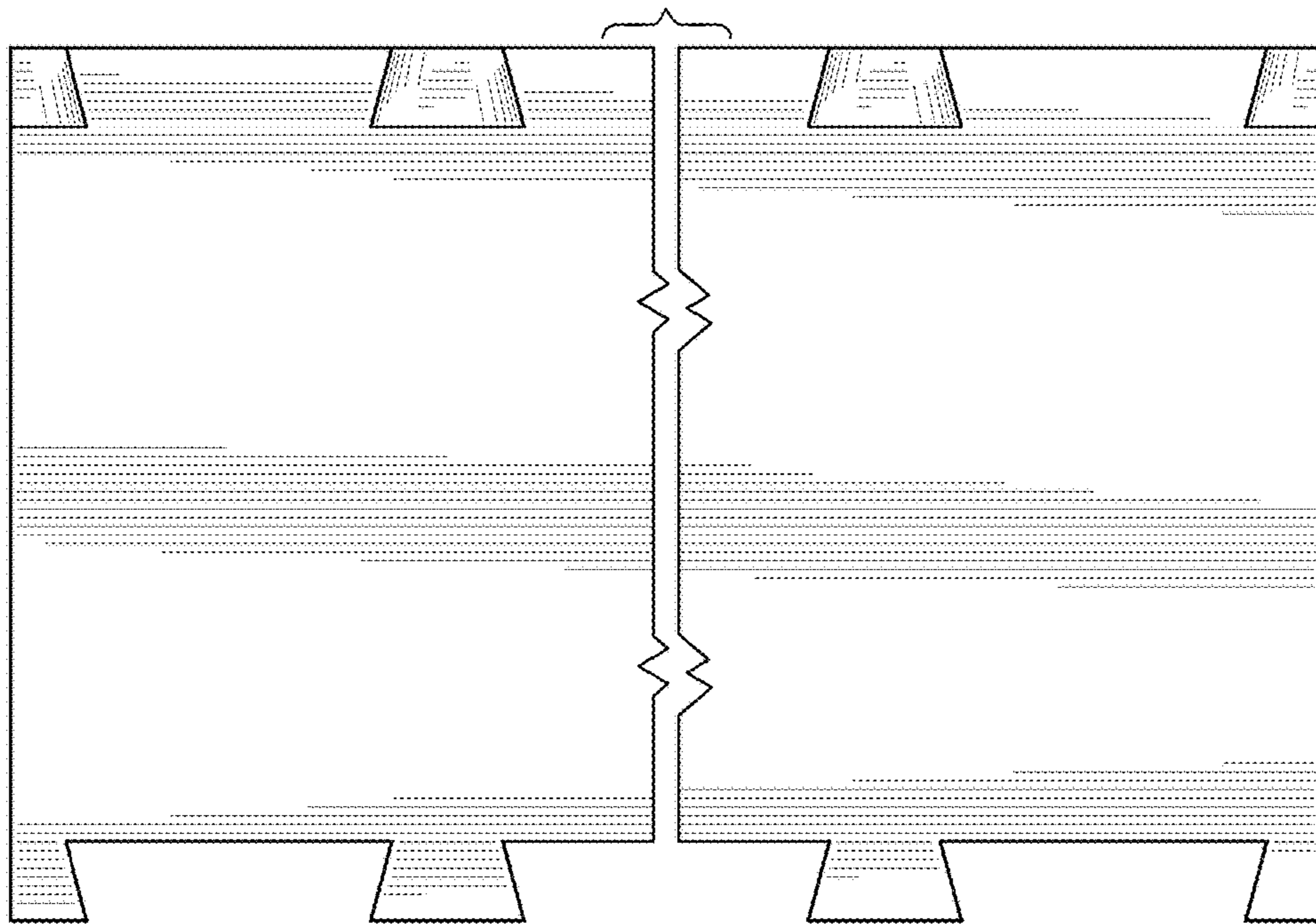


FIG. 3

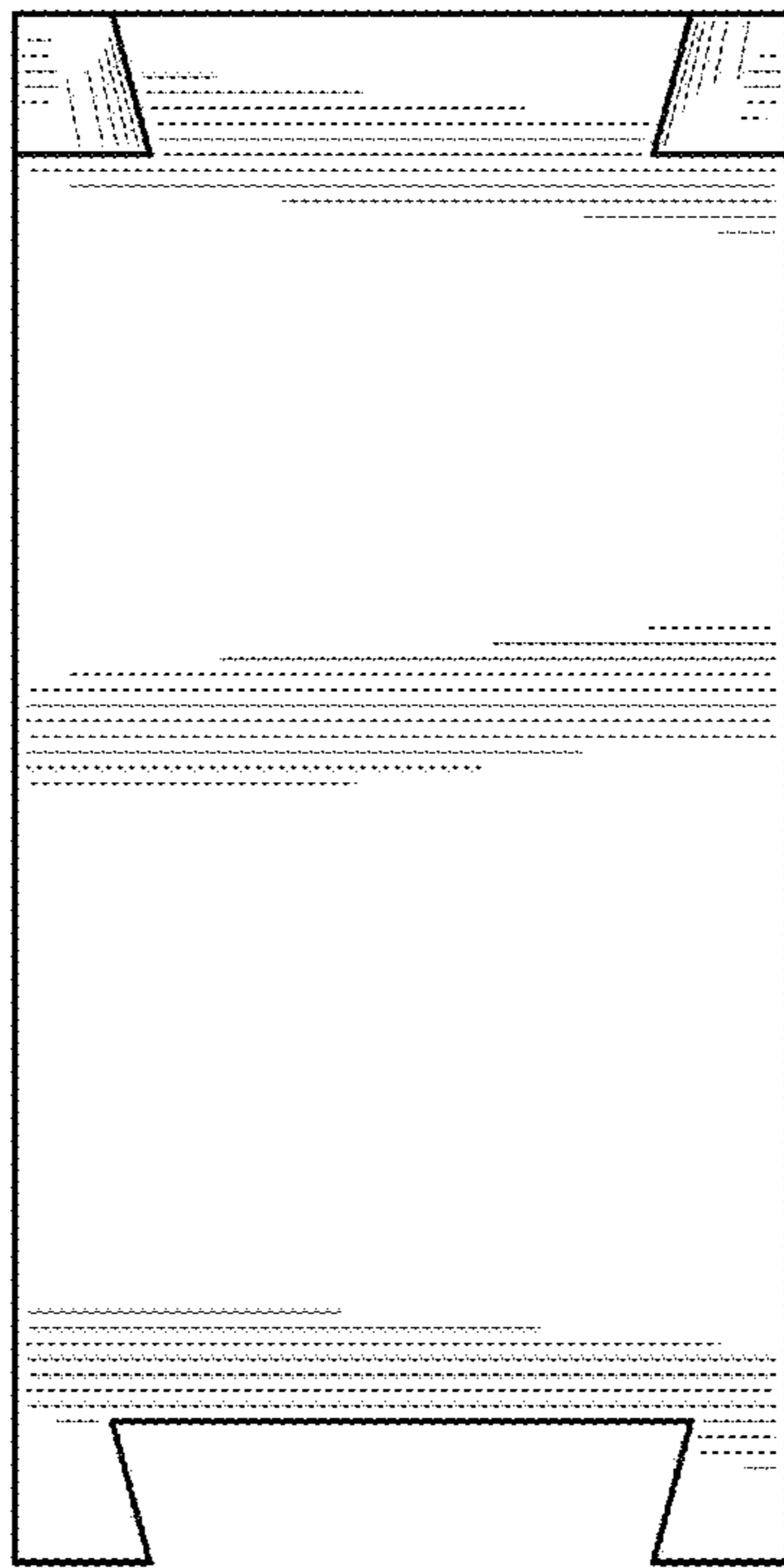


FIG. 4

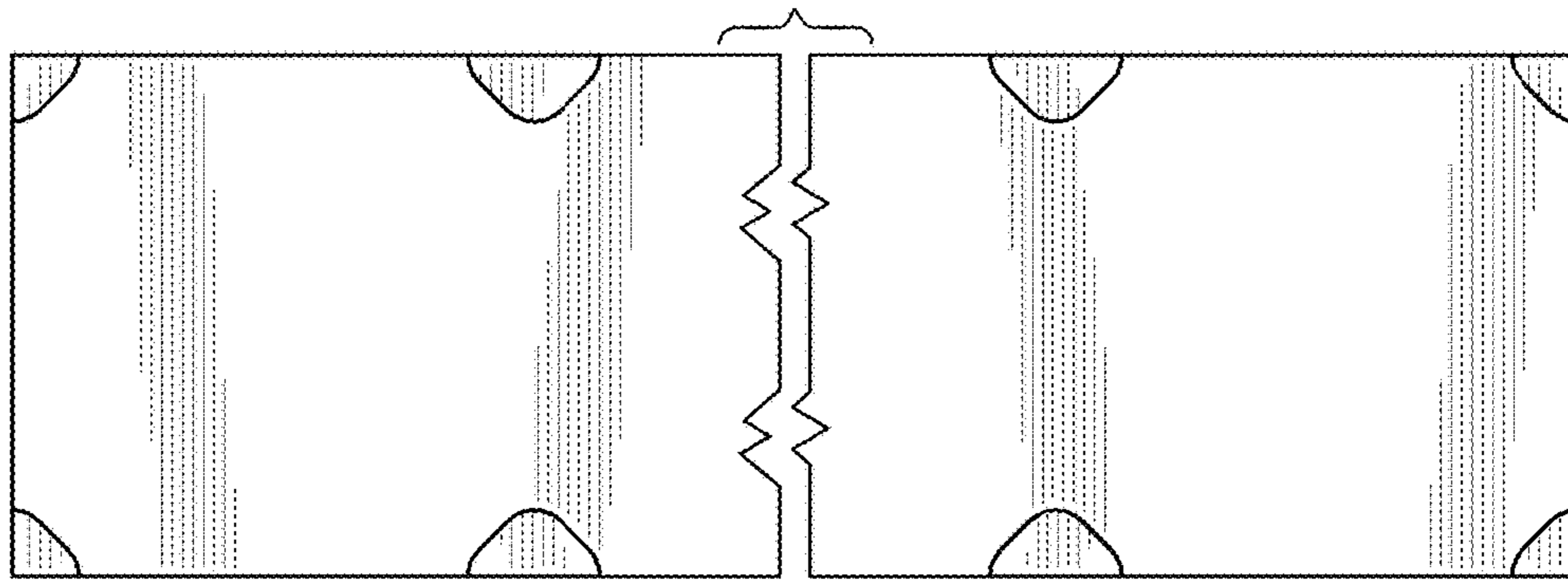


FIG. 5

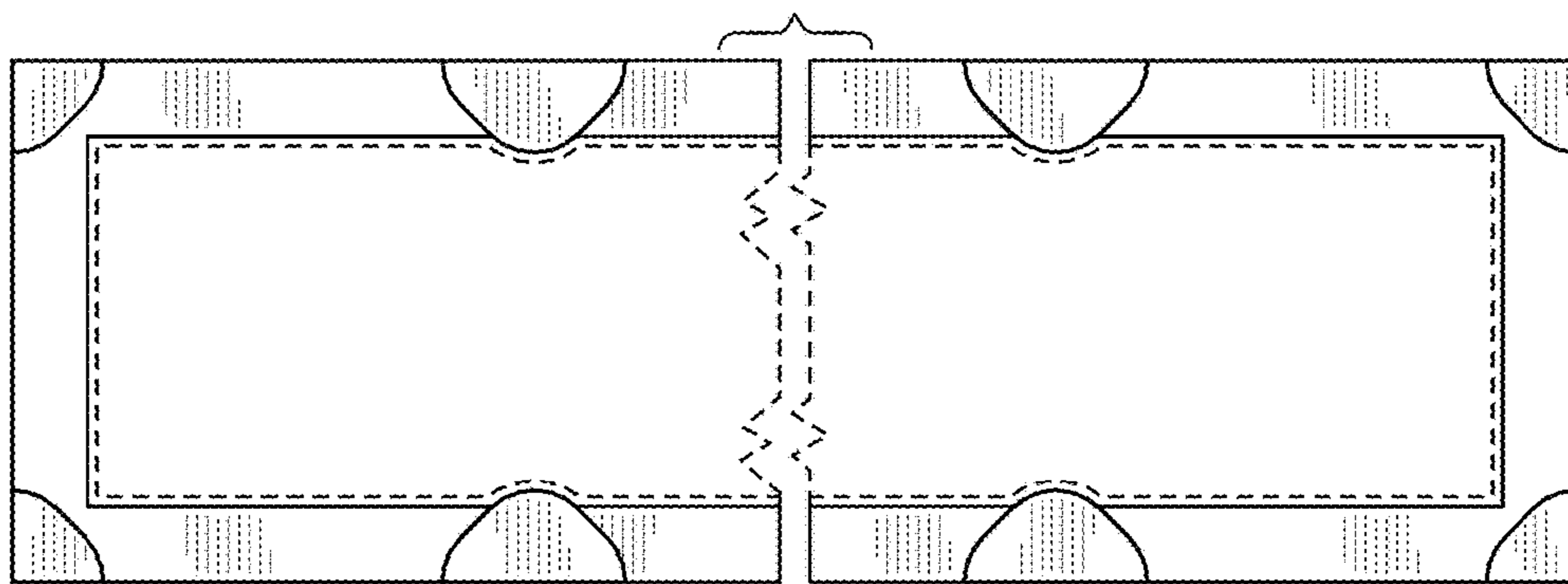


FIG. 6

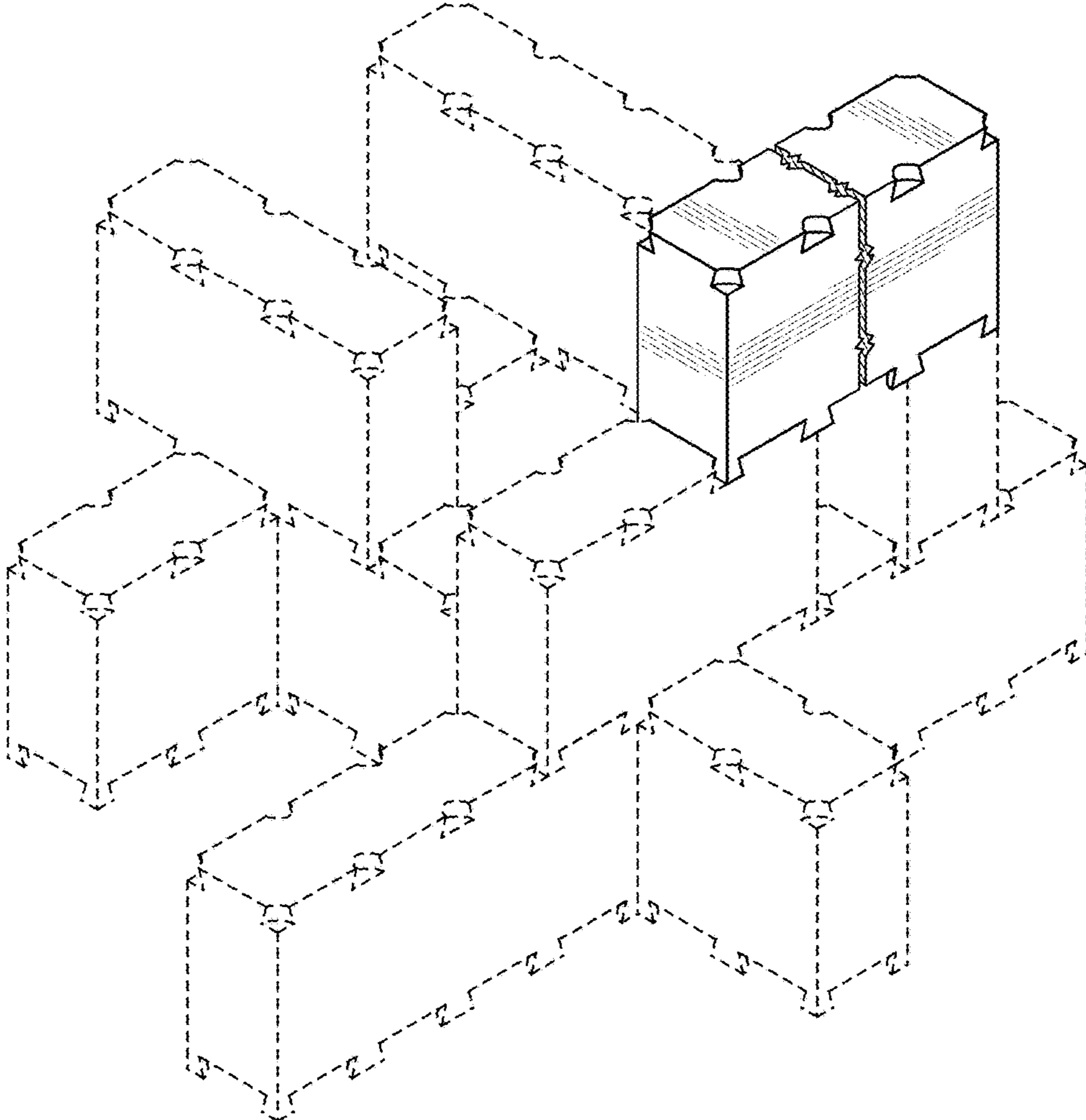


FIG. 7