



US00D798965S

(12) **United States Design Patent** (10) **Patent No.:** **US D798,965 S**
Weisman et al. (45) **Date of Patent:** **** Oct. 3, 2017**

(54) PORTABLE SPRAYING DEVICE	4,179,841 A * 12/1979 Kupperman A63H 23/04 446/162
(71) Applicant: Global Marketing Enterprise (GME) Ltd, Tel Aviv (IL)	4,689,032 A * 8/1987 Trossman A63H 23/10 114/296
(72) Inventors: Zafirra Weisman, Tel Aviv (IL); Israel Zanger, Tel Aviv (IL)	D304,923 S * 12/1989 Pado D12/308 D317,332 S * 6/1991 Williams D21/483 5,385,472 A * 1/1995 Mullin G09B 23/12 434/126
(**) Term: 15 Years	D783,728 S * 4/2017 Weisman D21/473 2005/0106991 A1 * 5/2005 Marine A63H 3/52 446/296
(21) Appl. No.: 29/591,648	2005/0208867 A1 * 9/2005 Higashida A63H 30/04 446/154
(22) Filed: Jan. 23, 2017	2007/0128970 A1 * 6/2007 Mietta A63H 23/04 446/154

(Continued)

Related U.S. Application Data

(63) Continuation of application No. 29/519,850, filed on Mar. 9, 2015, now Pat. No. Des. 783,728.

(51) **LOC (10) Cl.** **21-01**

(52) **U.S. Cl.**
USPC **D21/473; D23/222**

(58) **Field of Classification Search**
USPC D21/398, 467, 468, 473, 474, 483, 493, D21/526, 532, 542, 545, 811; D23/213-216, 222, 223, 228, 229, 239, D23/241, 283, 304; 446/153, 159, 161, 446/475, 483
CPC A63H 23/00; A63H 33/00; A63H 33/30; A63H 33/3022; A63H 33/3038; A63H 33/3061; A63H 23/02; A63H 23/04; A63H 23/10; A63H 23/14; A63H 23/16
See application file for complete search history.

(56) **References Cited**

U.S. PATENT DOCUMENTS

1,361,561 A * 12/1920 Yancey A63H 23/02
446/161

D190,127 S * 4/1961 Fowler D12/308

D245,529 S * 8/1977 Hudson D21/545

4,052,812 A * 10/1977 Kupperman A63H 23/04
446/161

FOREIGN PATENT DOCUMENTS

IL 56057 * 9/2016

IL 56130 * 9/2016

WO WO 2016038619 A2 * 3/2016 A63H 23/14

Primary Examiner — Catherine A Tuttle

(74) *Attorney, Agent, or Firm* — Haim M. Factor; 1st-Tech-Ideas

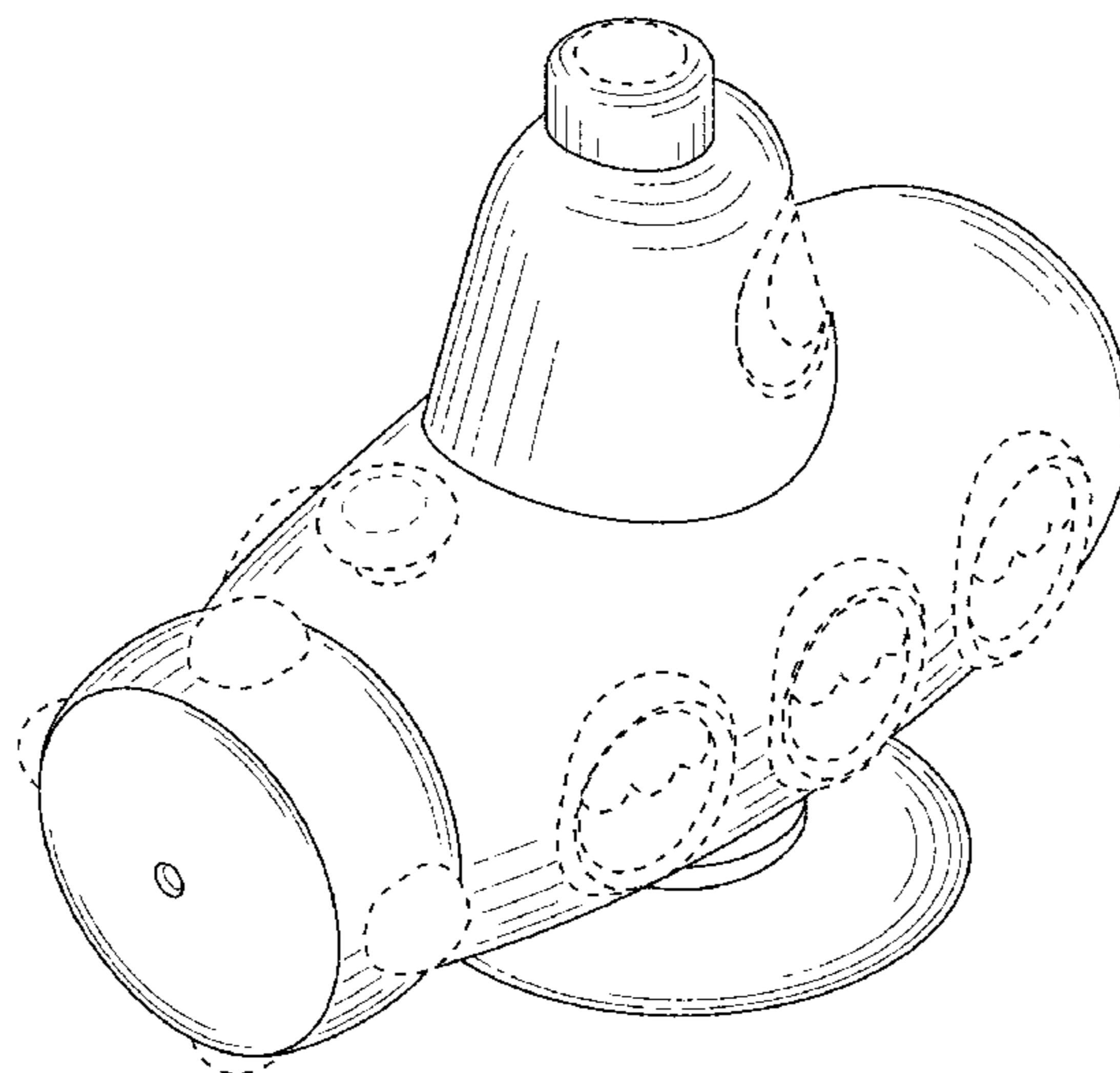
(57) **CLAIM**

The ornamental design for a portable spraying device, as shown and described.

DESCRIPTION

FIG. 1 is a front and left perspective view of a portable spraying device showing our new design;
FIG. 2 is a rear view thereof;
FIG. 3 is a front view thereof;
FIG. 4 is a left view thereof;
FIG. 5 is a top view thereof; and,
FIG. 6 is a bottom view thereof.
The broken lines are included for the purpose of illustrating the portions of the portable spraying device that form no part of the claimed design.

1 Claim, 4 Drawing Sheets



(56)

References Cited

U.S. PATENT DOCUMENTS

2009/000022 A1* 1/2009 Phipps E03C 1/0408
4/601

* cited by examiner

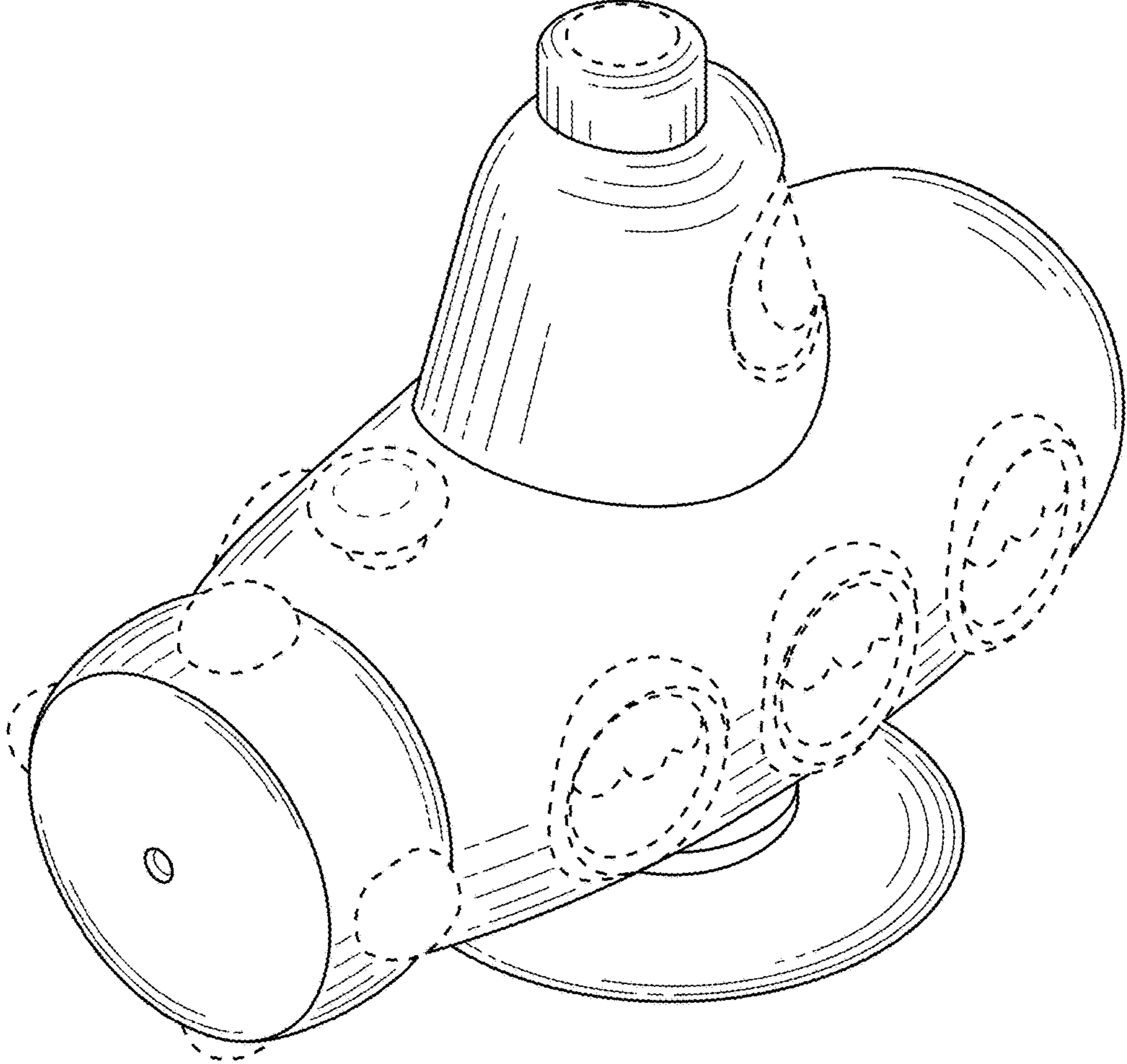


FIG. 1

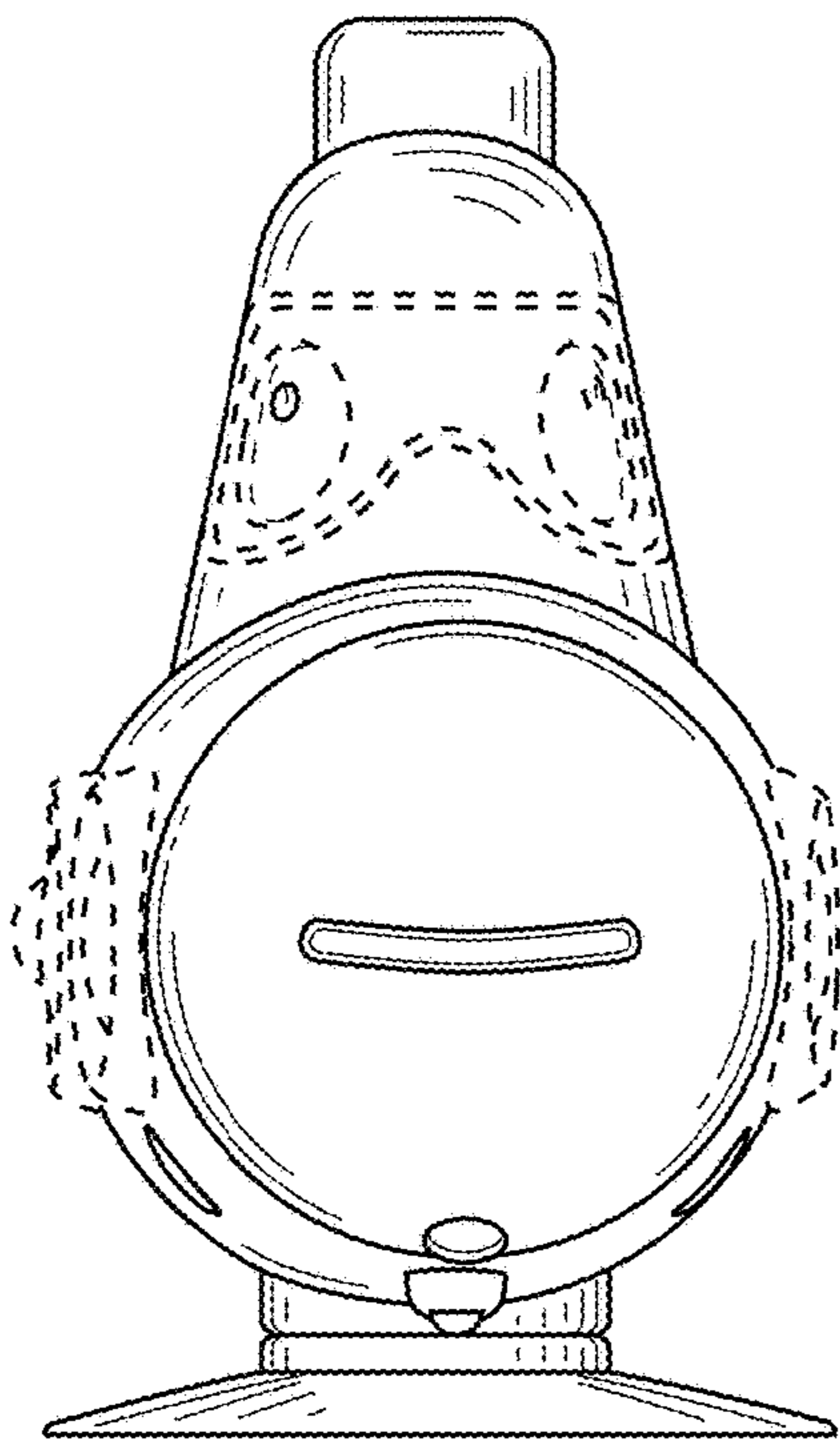


FIG. 2

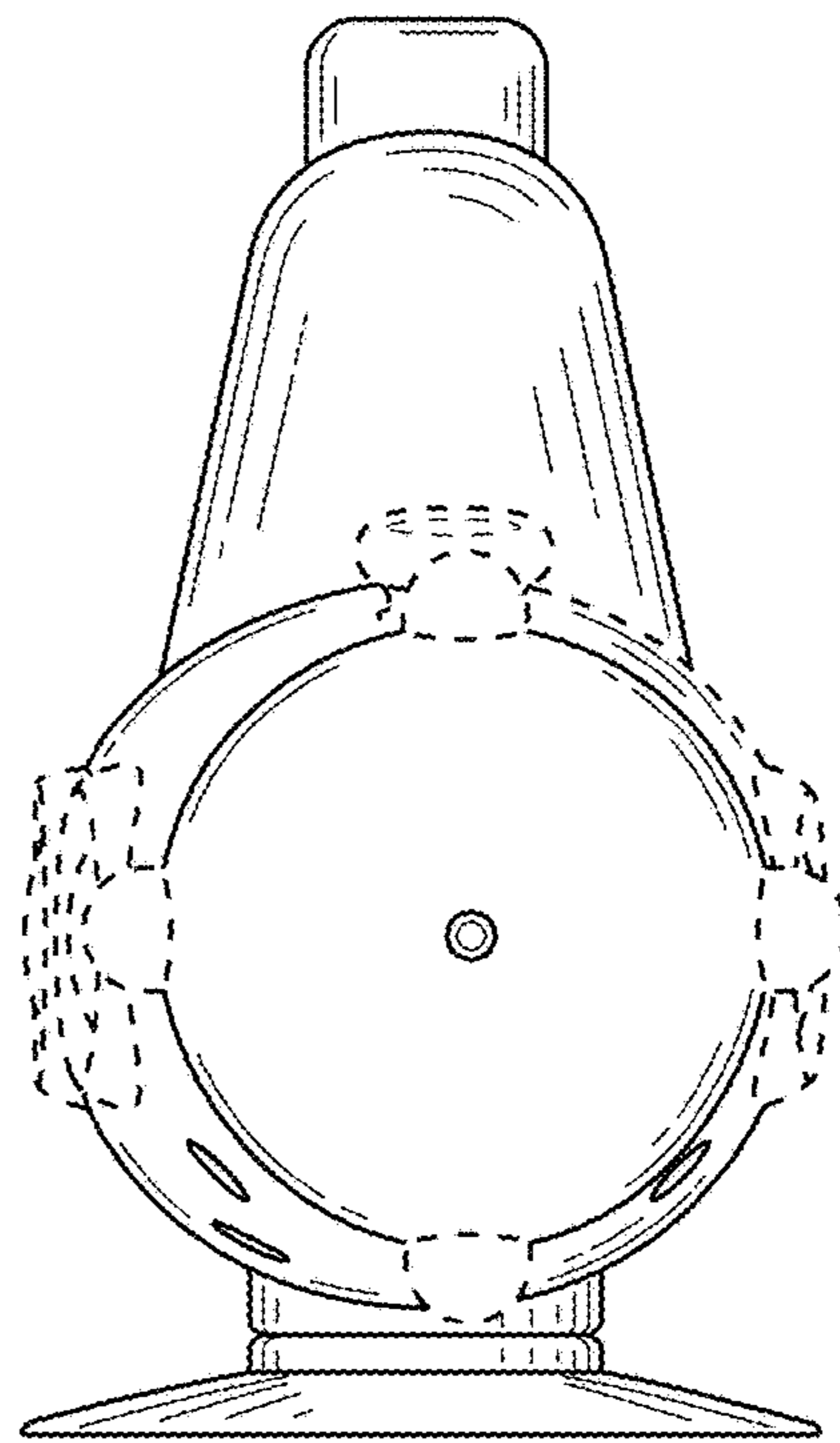


FIG. 3

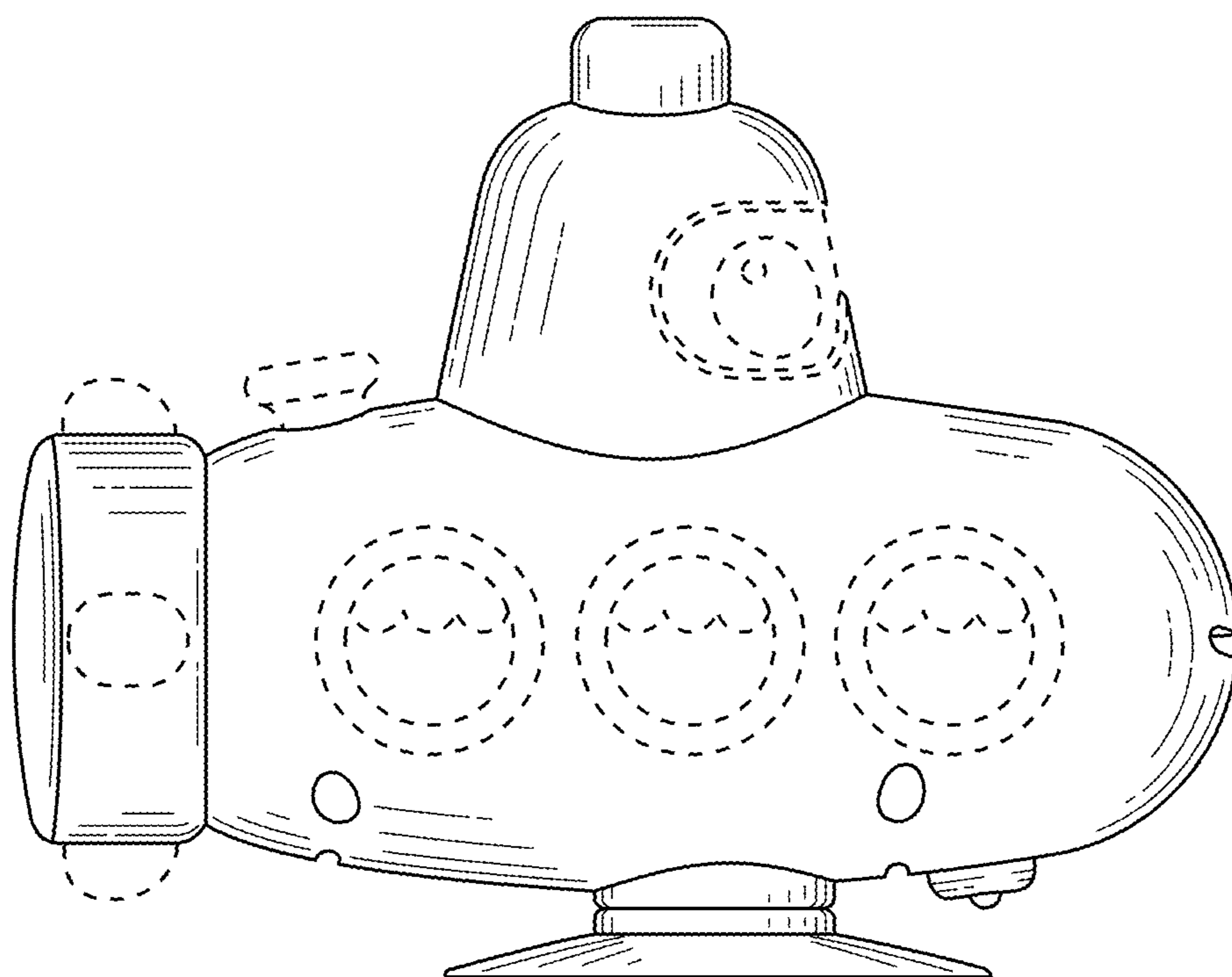


FIG. 4

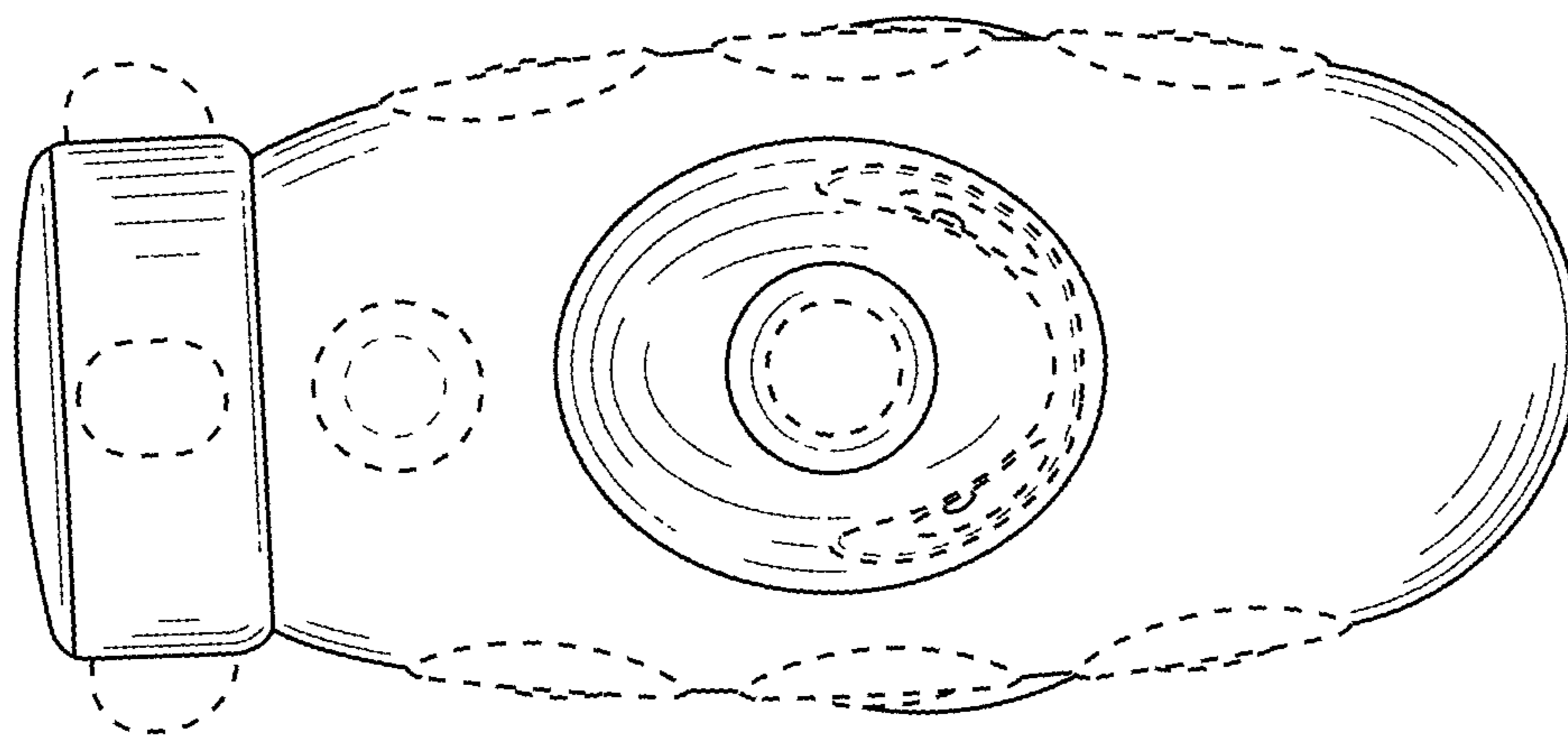


FIG. 5

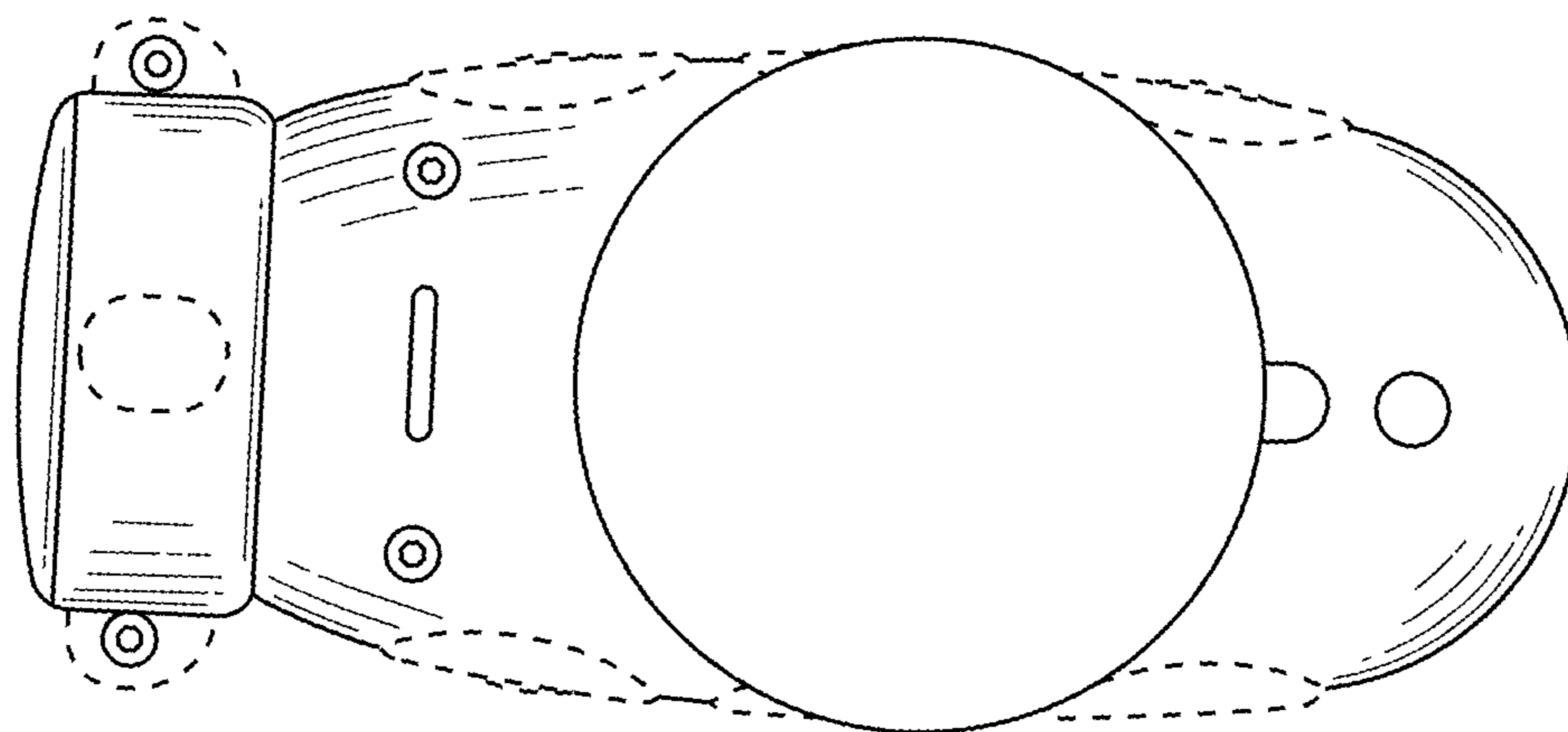


FIG. 6