



US00D798963S

(12) **United States Design Patent** (10) **Patent No.:** **US D798,963 S**
Xiao (45) **Date of Patent:** **** *Oct. 3, 2017**

- (54) **AIRCRAFT TOY**
- (71) Applicant: **Guangdong Syma Model Aircraft Industrial Co., Ltd., Shantou (CN)**
- (72) Inventor: **Jiongliang Xiao, Shantou (CN)**
- (73) Assignee: **GUANGDONG SYMA MODEL AIRCRAFT INDUSTRIAL CO., LTD., Shantou (CN)**
- (*) Notice: This patent is subject to a terminal disclaimer.
- (**) Term: **15 Years**
- (21) Appl. No.: **29/583,461**
- (22) Filed: **Nov. 4, 2016**
- (51) **LOC (10) Cl.** **21-01**
- (52) **U.S. Cl.**
USPC **D21/441**
- (58) **Field of Classification Search**
USPC D12/16.1, 319-345; D21/436, 441-444, 445-453
CPC B64C 1/062; B64C 39/024; B64C 27/08; B64C 29/00; B64C 39/00; B64C 23/00
See application file for complete search history.

(56) **References Cited**

U.S. PATENT DOCUMENTS

- D189,462 S * 12/1960 Vogt D12/329
- 5,082,079 A * 1/1992 Lissaman B64C 27/20
180/118
- D648,809 S * 11/2011 Seydoux D21/441
- D710,452 S * 8/2014 Barajas D12/16.1
- D710,453 S * 8/2014 Barajas D12/16.1
- D710,454 S * 8/2014 Barajas D12/16.1
- D741,751 S * 10/2015 Klaptocz D12/16.1
- D745,435 S * 12/2015 Park D12/16.1
- 9,233,754 B1 * 1/2016 Wang B64C 39/024

- D756,842 S * 5/2016 Ashjaee D12/16.1
- D763,134 S * 8/2016 Wang D12/16.1
- D767,043 S * 9/2016 Morrison D12/16.1
- D768,539 S * 10/2016 Lee D12/16.1
- D768,540 S * 10/2016 Ji D12/16.1
- D768,789 S * 10/2016 Fargeau D12/16.1
- 2012/0056041 A1 * 3/2012 Rhee B64C 25/32
244/4 R
- 2012/0241555 A1 * 9/2012 Savoye A63H 27/12
244/54
- 2014/0339355 A1 * 11/2014 Olm B64C 27/08
244/17.23
- 2015/0051755 A1 * 2/2015 Erhart A63H 27/12
701/2
- 2015/0129711 A1 * 5/2015 Caubel B64C 27/08
244/17.23
- 2015/0321755 A1 * 11/2015 Martin B64C 27/50
244/17.23
- 2015/0321758 A1 * 11/2015 Sarna, II B64C 39/024
244/63

(Continued)

Primary Examiner — Robert M Spear
Assistant Examiner — Marissa J Cash
(74) *Attorney, Agent, or Firm* — Ming Chow; Sinorica, LLC

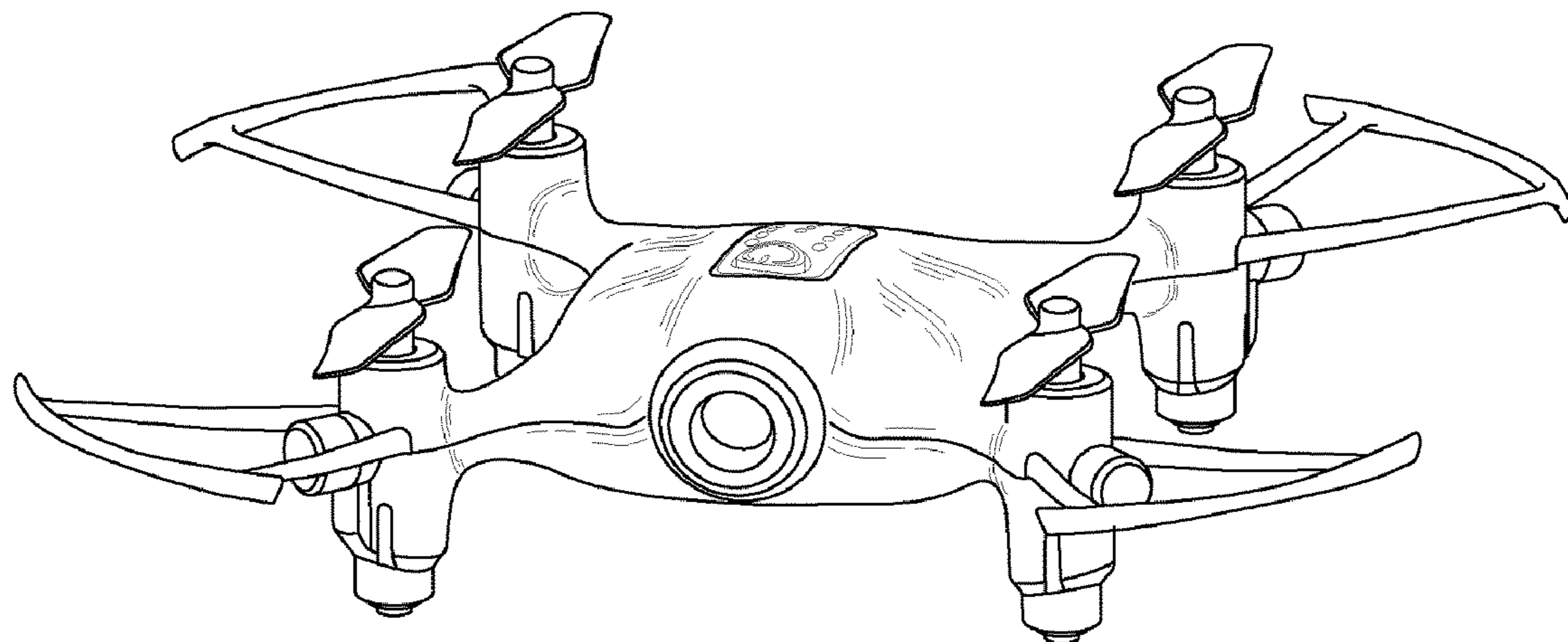
(57) **CLAIM**

The ornamental design for an aircraft toy, as shown and described.

DESCRIPTION

FIG. 1 is a perspective view of the aircraft toy showing my new design;
FIG. 2 is a front elevation view thereof;
FIG. 3 is a rear elevation view thereof;
FIG. 4 is left side view thereof;
FIG. 5 is a top plan view thereof;
FIG. 6 is a bottom plan view thereof; and,
FIG. 7 is perspective view of the aircraft toy from another angle of view showing my new design.

1 Claim, 7 Drawing Sheets



(56)

References Cited

U.S. PATENT DOCUMENTS

2015/0336670 A1* 11/2015 Zhang B64C 1/00
244/119
2016/0001879 A1* 1/2016 Johannesson B64C 27/50
416/142
2016/0031275 A1* 2/2016 Monroe B60F 3/0007
244/2

* cited by examiner

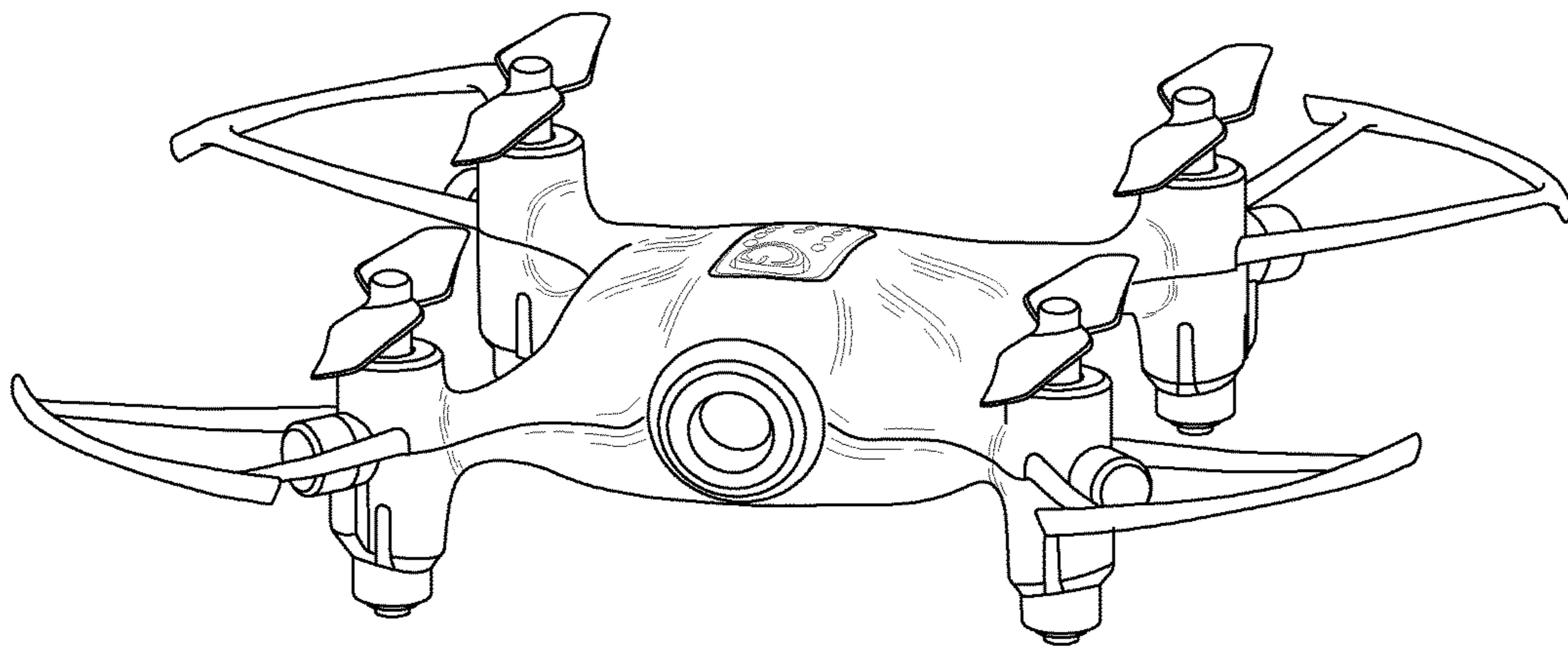


FIG.1

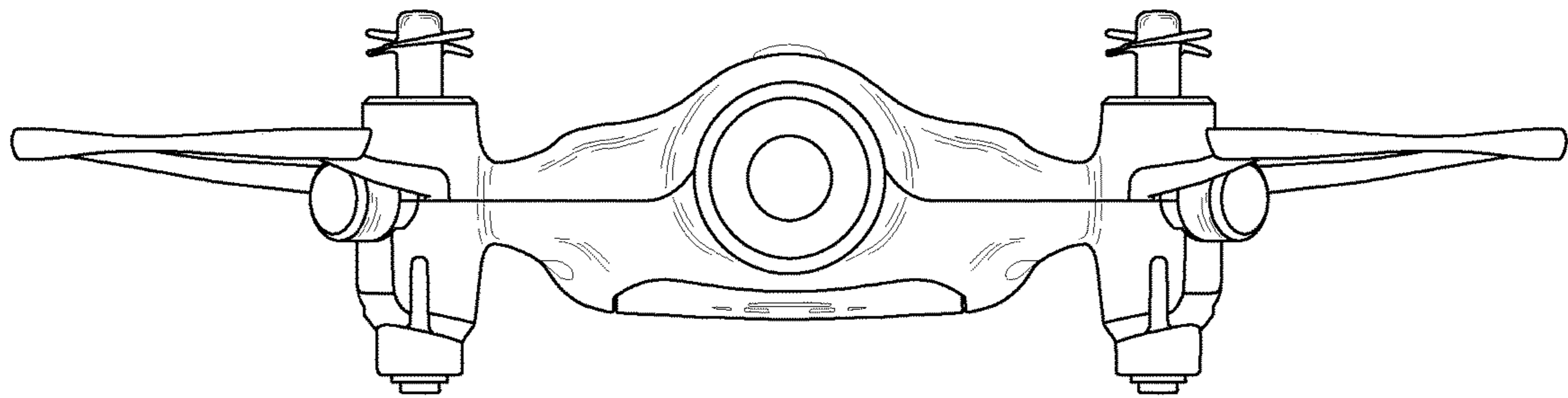


FIG.2

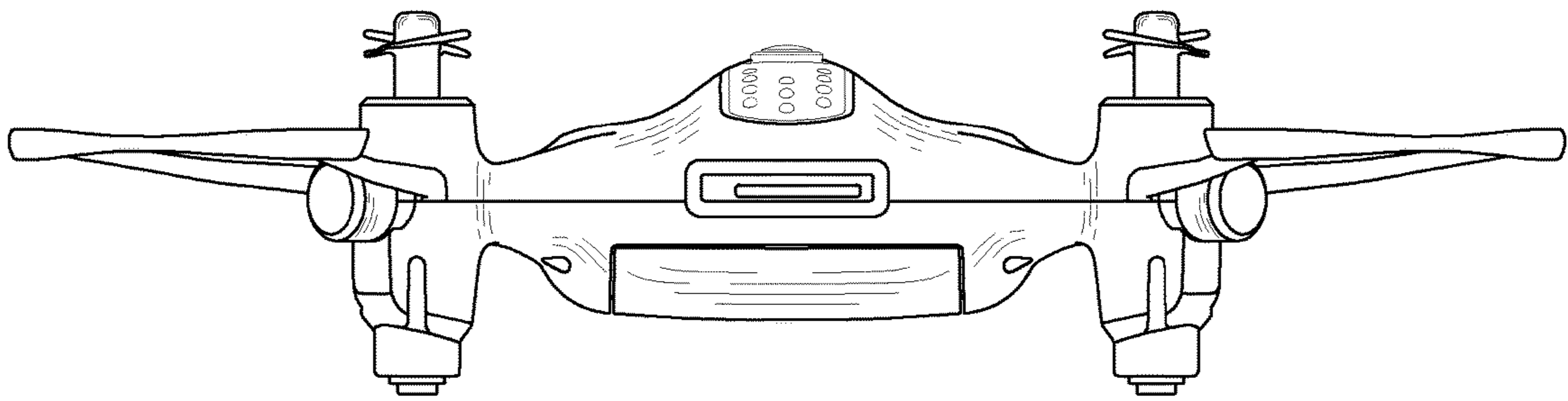


FIG.3

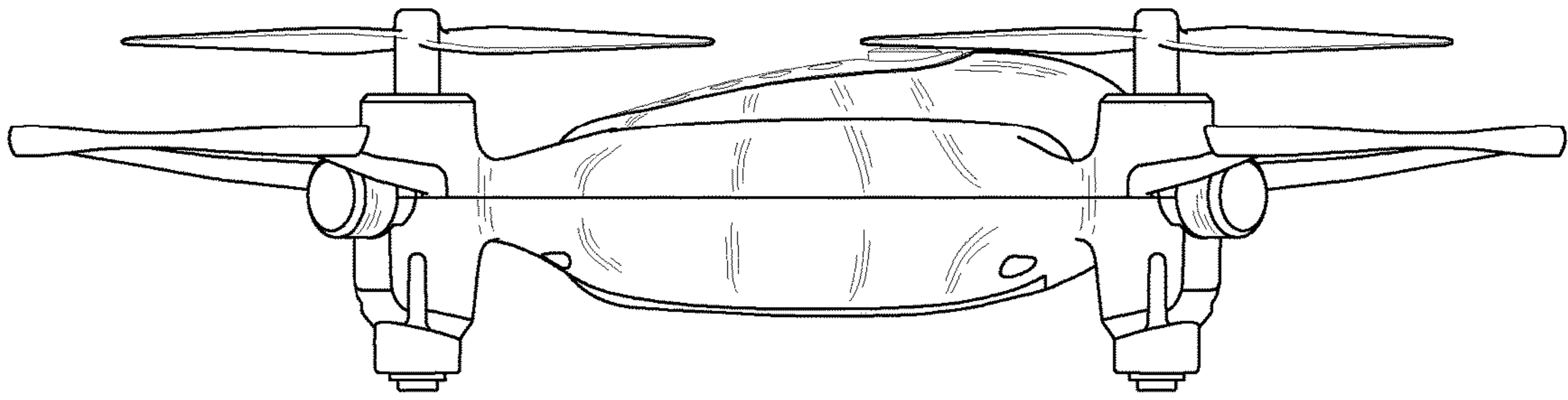


FIG.4

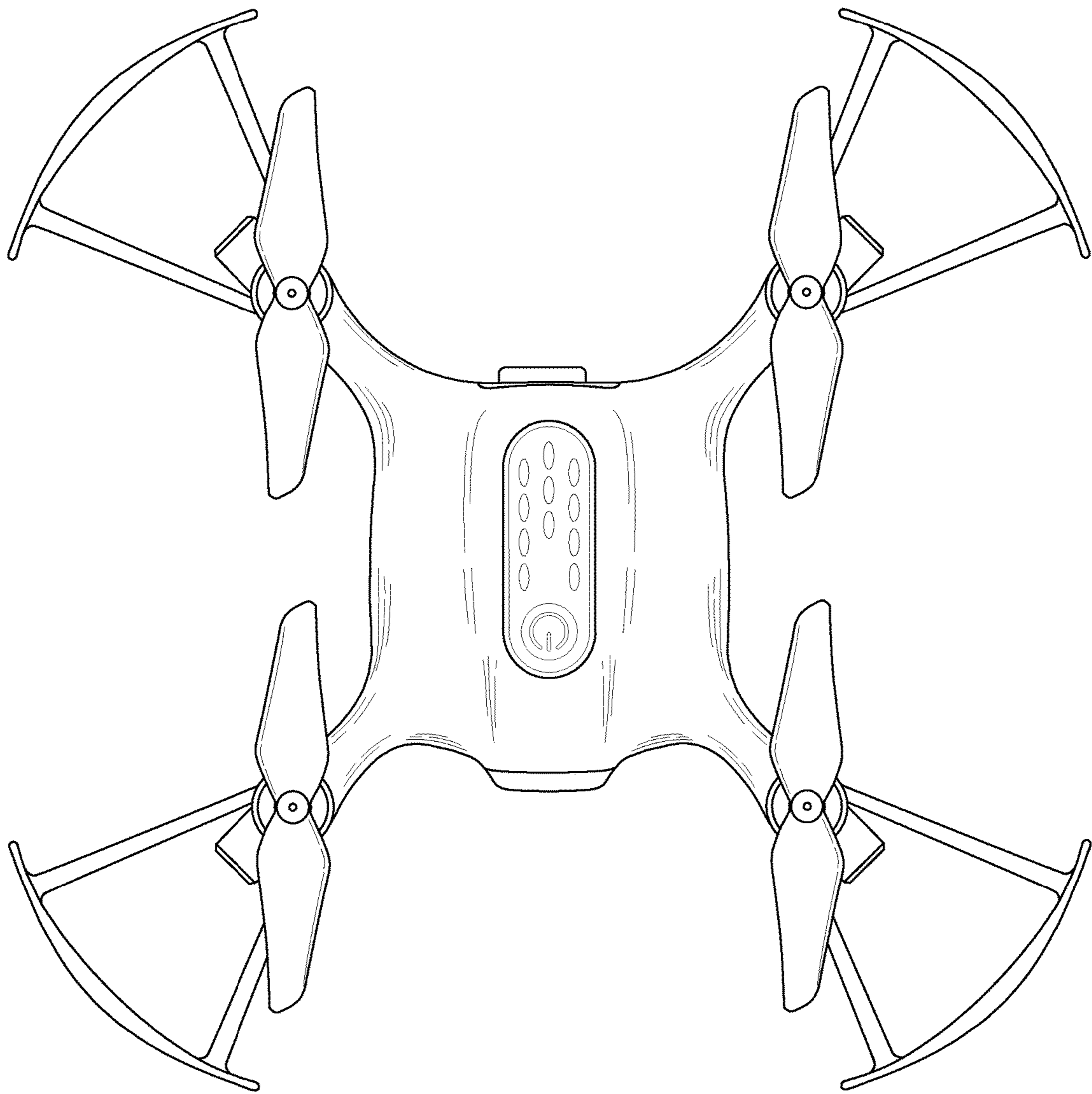


FIG.5

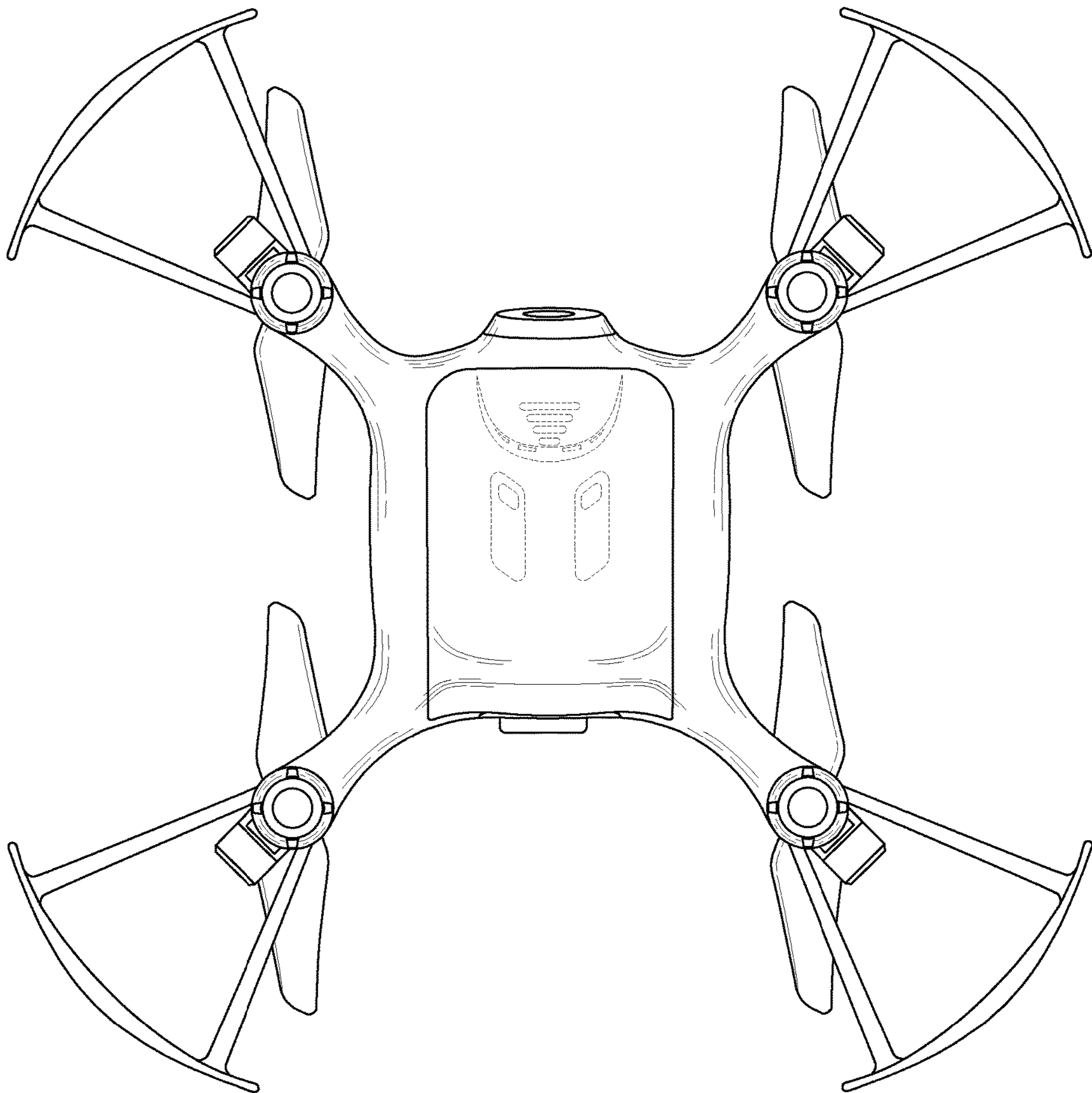


FIG.6

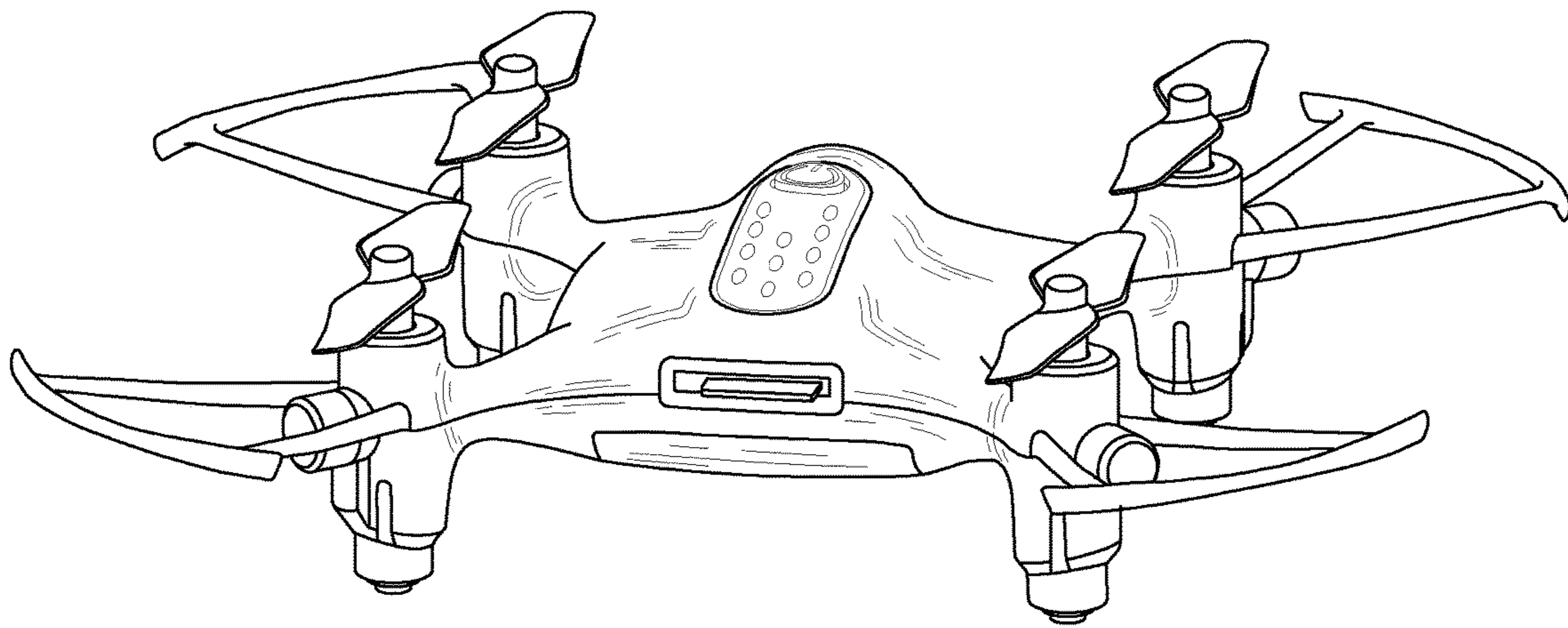


FIG.7