



US00D798961S

(12) **United States Design Patent** (10) **Patent No.:** **US D798,961 S**
Li (45) **Date of Patent:** **** Oct. 3, 2017**

(54) **QUADCOPTER MODEL DRONE**
(71) Applicant: **Shenzhen Hubsan Technology Co., Ltd.**, Shenzhen (CN)
(72) Inventor: **Guangjun Li**, Shenzhen (CN)
(73) Assignee: **Shenzhen Hubsan Technology Co., Ltd.**, Shenzhen (CN)
(**) Term: **15 Years**
(21) Appl. No.: **29/578,326**
(22) Filed: **Sep. 20, 2016**
(51) **LOC (10) Cl.** **21-01**
(52) **U.S. Cl.**
USPC **D21/441**; D12/16.1
(58) **Field of Classification Search**
USPC D12/16.1, 319-345; D21/436, 441, 442, D21/443, 446, 447, 448, 449, 450, 451, D21/452, 453, 454
CPC ... B64C 27/20; B64C 27/08; B64C 2201/104; B64C 2201/021; B64C 2201/128; B64C 2201/024; B64C 2201/141; B64C 2201/108; B64C 39/024
See application file for complete search history.

9,594,381 B1 * 3/2017 Clark G05D 1/101
D785,717 S * 5/2017 Xiao D21/441
2015/0129711 A1 * 5/2015 Caubel B64C 27/08
244/17.23
2017/0076616 A1 * 3/2017 Kanade G08G 5/045
2017/0129601 A1 * 5/2017 Babel B64C 27/08
2017/0150053 A1 * 5/2017 Eline B64C 39/024

OTHER PUBLICATIONS

Hubsan FPV X4 plus H107D by Shenzhen on Alibaba dated 2017. found online [Jul. 5, 2017] https://www.alibaba.com/product-detail/Wholesale-toys-Hubsan-FPV-X4-plus_60621842565.html?s=p.*

* cited by examiner

Primary Examiner — Robert M Spear
Assistant Examiner — Marissa J Cash
(74) *Attorney, Agent, or Firm* — IPro, PLLC; Na Xu

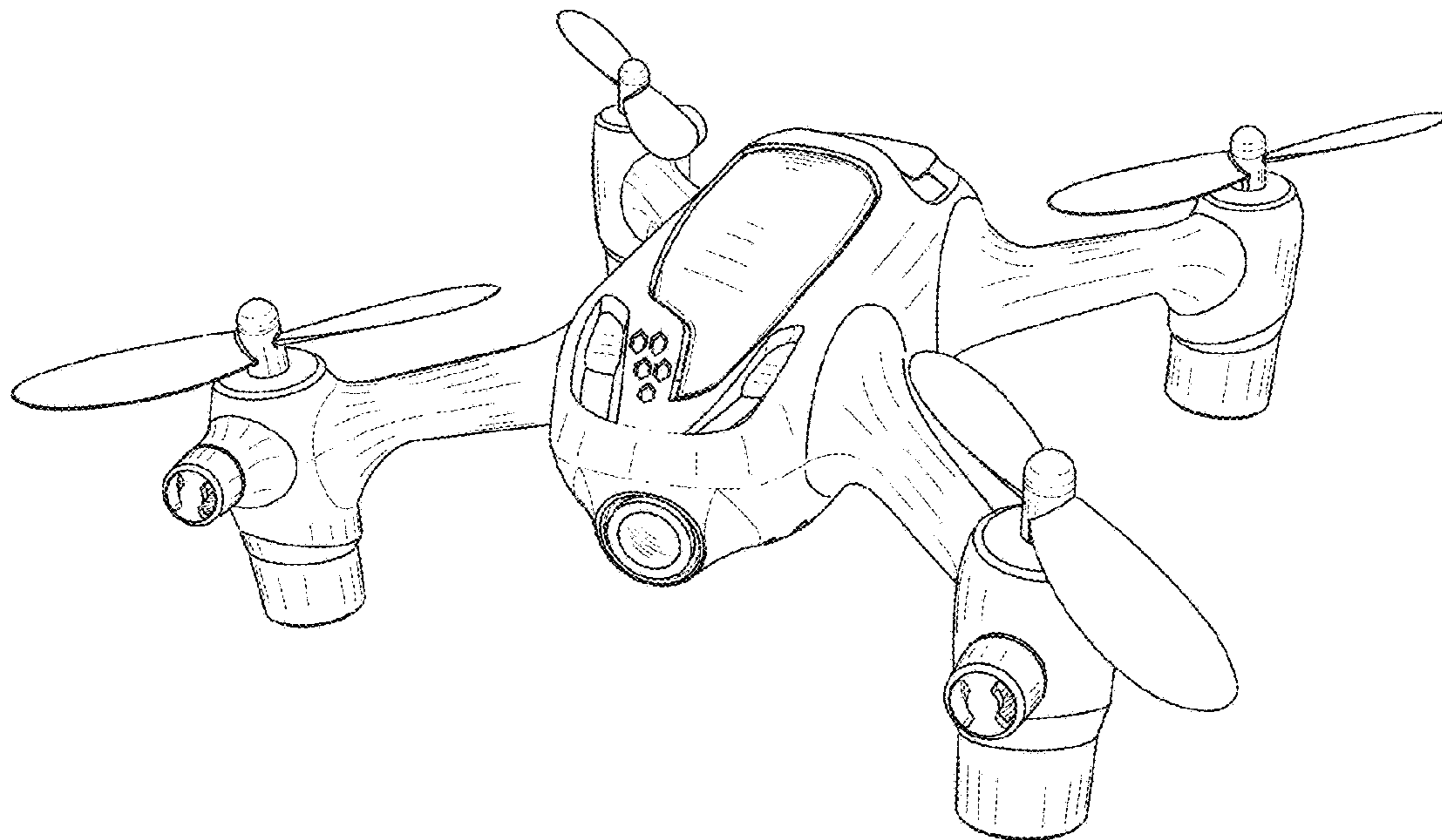
(56) **References Cited**
U.S. PATENT DOCUMENTS
D710,454 S * 8/2014 Barajas D12/16.1
9,099,902 B2 * 8/2015 Chen H02K 5/225
D760,848 S * 7/2016 McKenna D12/16.1
D763,134 S * 8/2016 Wang D12/16.1
D768,539 S * 10/2016 Lee D12/16.1
D772,991 S * 11/2016 Caubel D12/16.1
9,567,076 B2 * 2/2017 Zhang B64C 1/00

(57) **CLAIM**
The ornamental design for a quadcopter model drone, as shown and described.

DESCRIPTION

FIG. 1 is a perspective view of a quadcopter model drone embodying the new design;
FIG. 2 is a front view thereof;
FIG. 3 is a back view thereof;
FIG. 4 is a right side view thereof;
FIG. 5 is a left side view thereof;
FIG. 6 is a top view thereof; and,
FIG. 7 is a bottom view thereof.

1 Claim, 5 Drawing Sheets



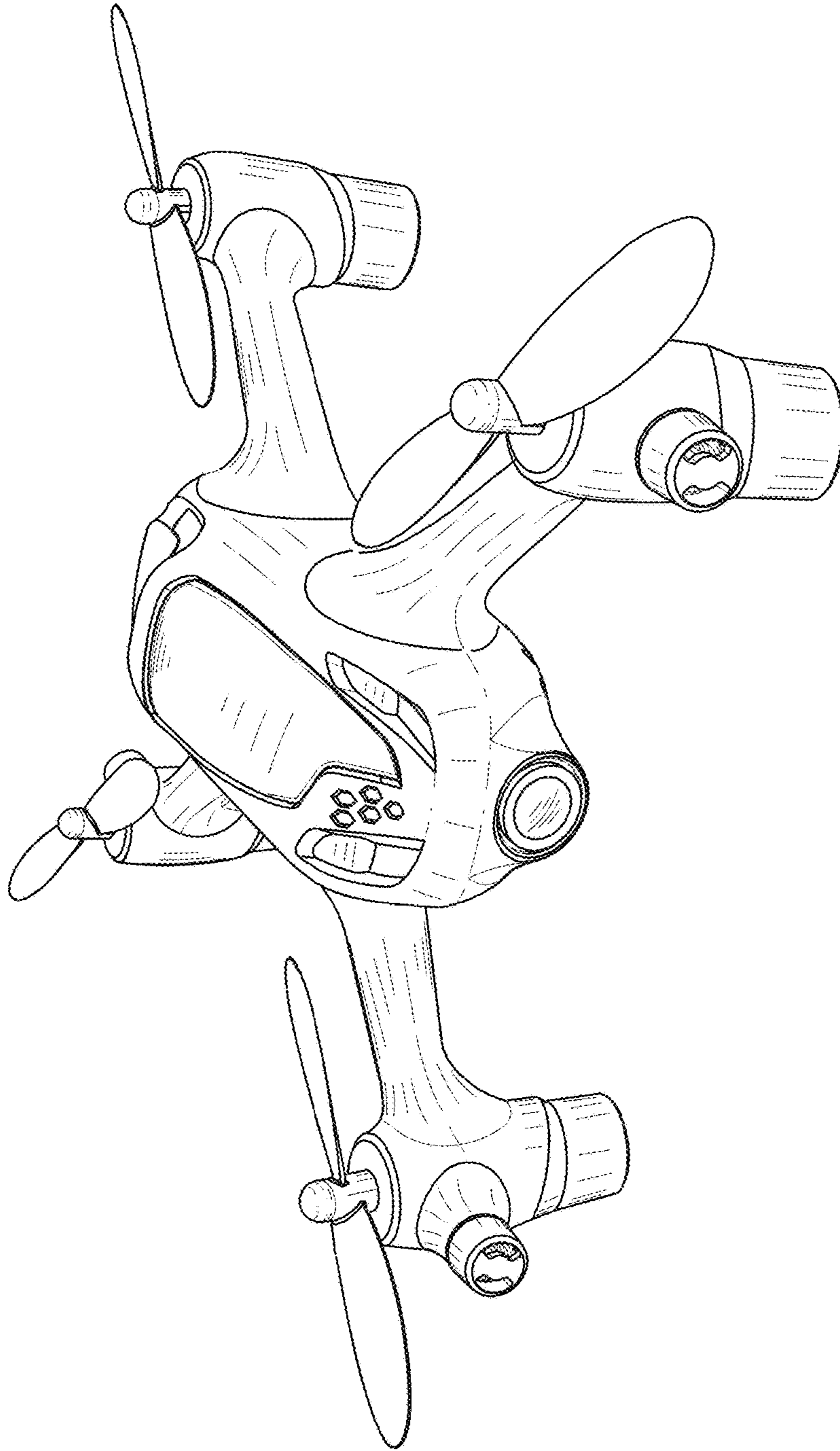


FIG. 1

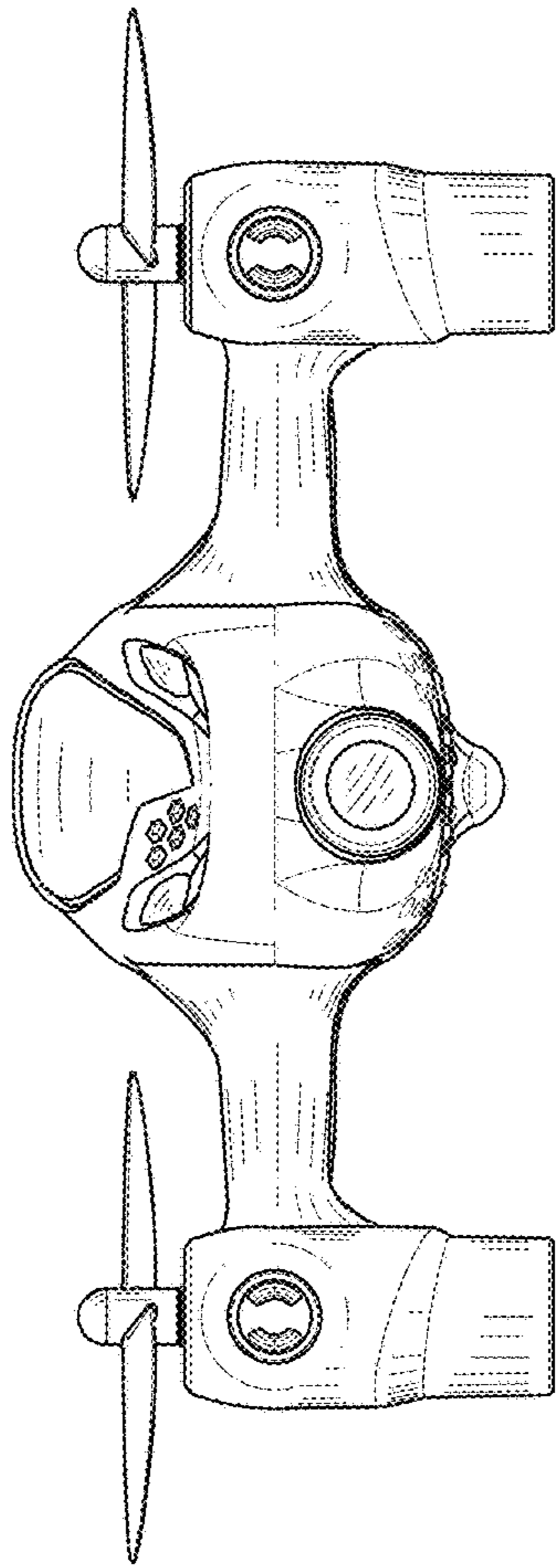


FIG. 2

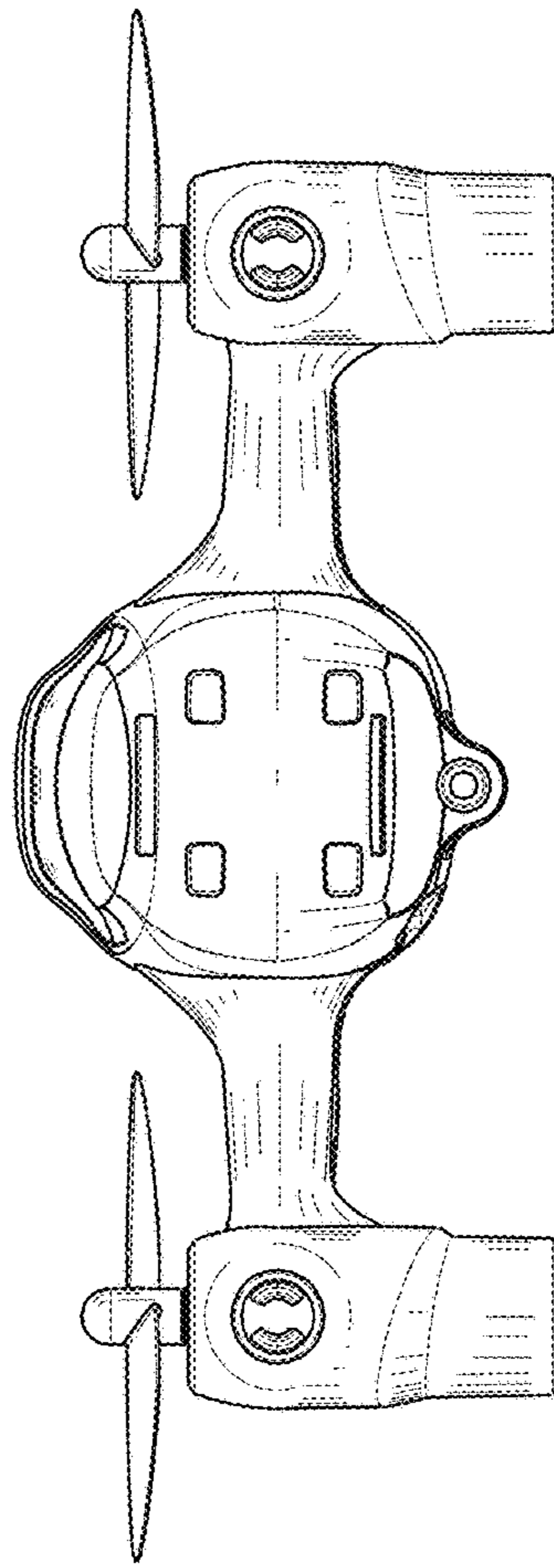


FIG. 3

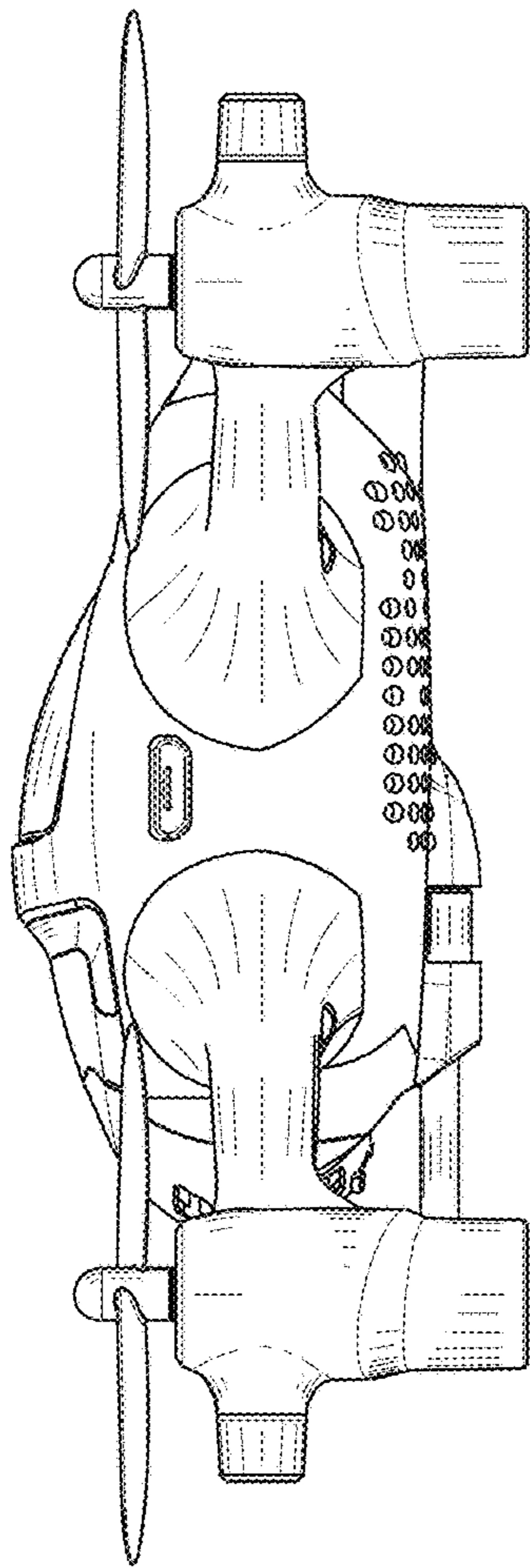


FIG. 4

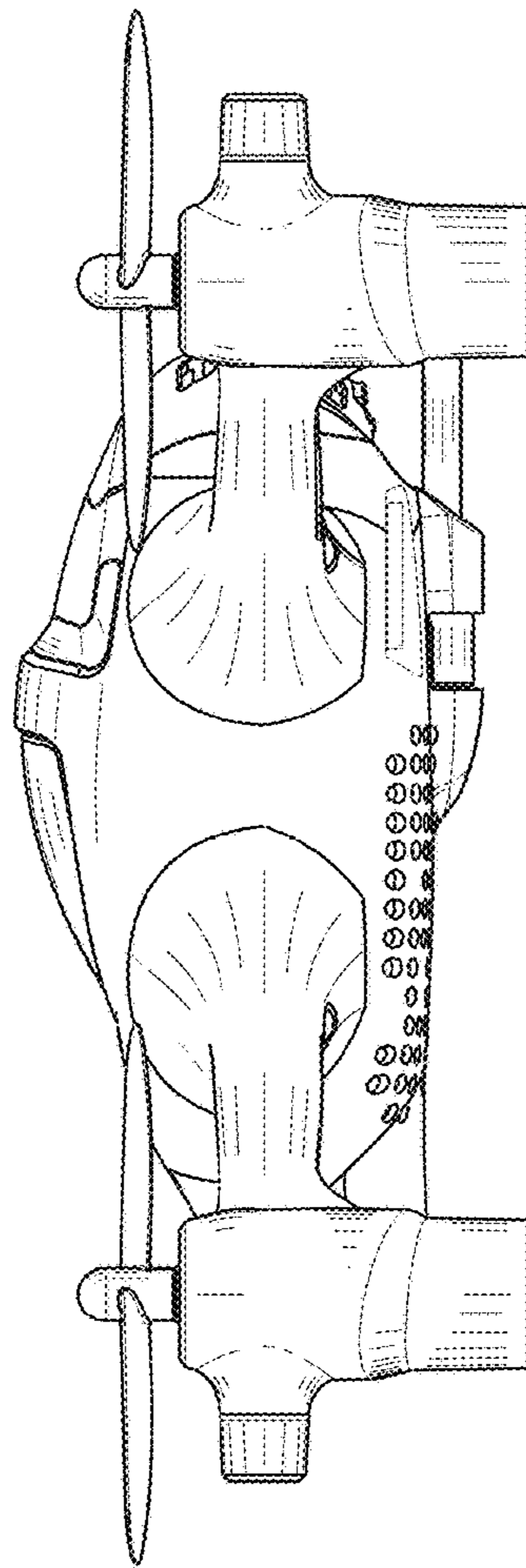


FIG. 5

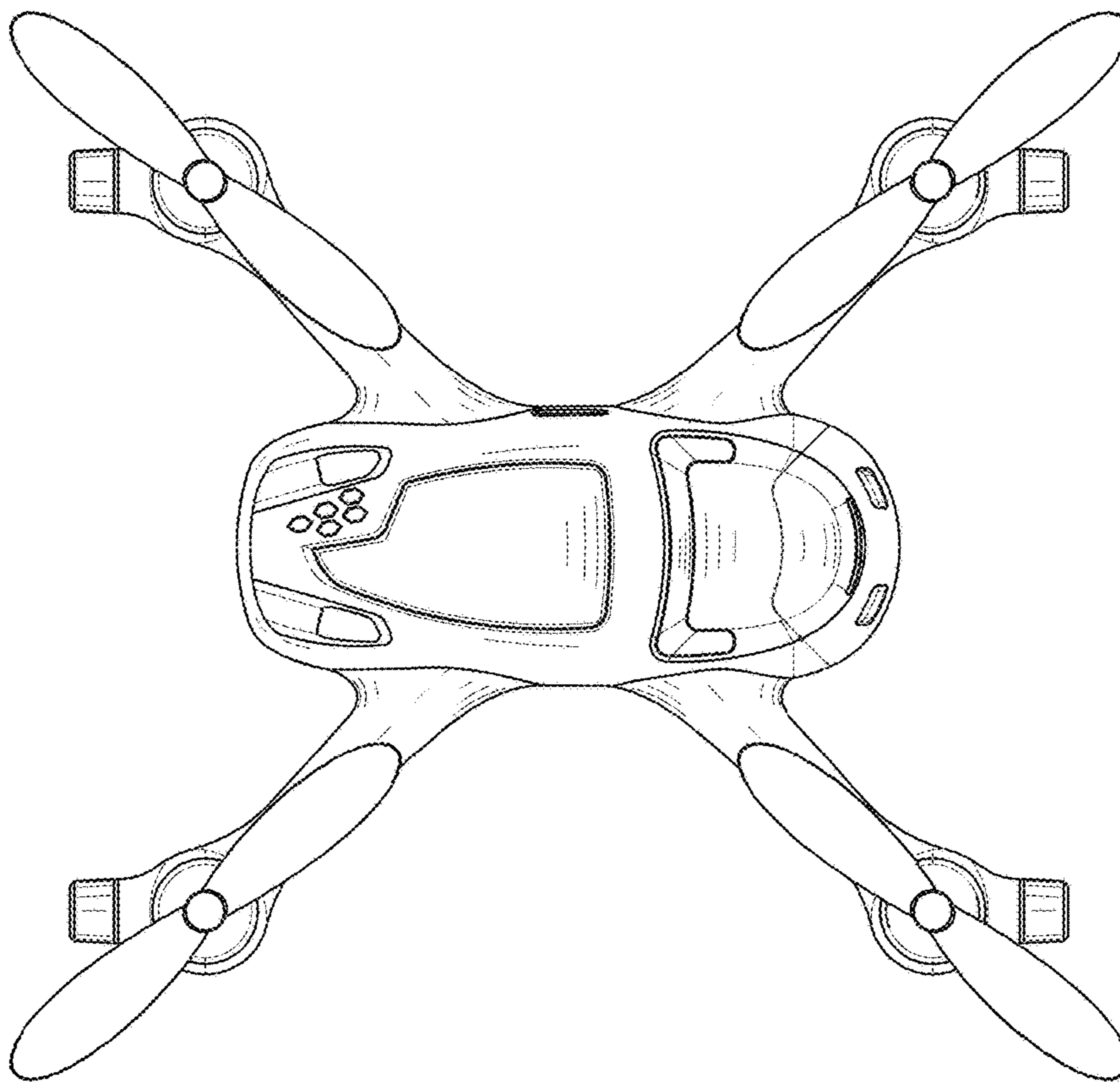


FIG. 6

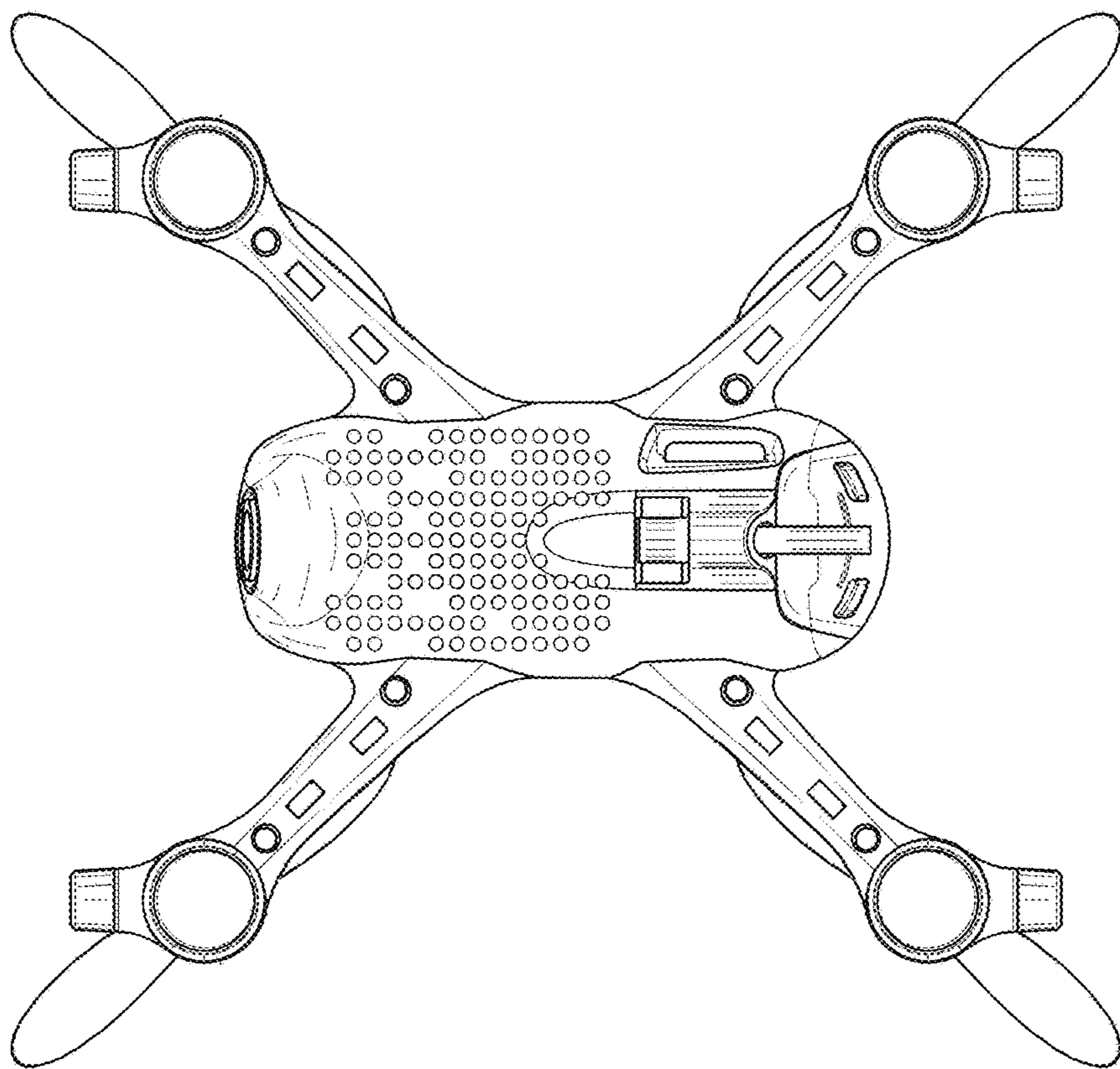


FIG. 7