



US00D798952S

(12) **United States Design Patent** (10) **Patent No.:** **US D798,952 S**
Liu (45) **Date of Patent:** **** Oct. 3, 2017**

(54) **DESK ORGANIZER**
(71) Applicant: **EASYACC TECHNOLOGY CO., LIMITED**, Hong Kong (CN)
(72) Inventor: **Yamin Liu**, Hunan (CN)
(73) Assignee: **EASYACC TECHNOLOGY CO., LIMITED**, Central Hong Kong, Hong Kong (CN)

D344,420 S * 2/1994 Rodriquez D14/477
D354,516 S * 1/1995 Crist D19/75
5,606,918 A * 3/1997 Cauffiel A47B 23/02
108/42
D411,860 S * 7/1999 Stravitz D19/75
D471,029 S * 3/2003 Brady D6/406.2
D495,005 S * 8/2004 Stravitz D19/75

(Continued)

Primary Examiner — Elizabeth Albert
(74) *Attorney, Agent, or Firm* — Global IP Services;
Tianhua Gu

(**) Term: **15 Years**

(57) **CLAIM**

(21) Appl. No.: **29/552,726**

The ornamental design for a desk organizer, as shown and described.

(22) Filed: **Jan. 25, 2016**

DESCRIPTION

(51) **LOC (10) Cl.** **19-02**

(52) **U.S. Cl.**
USPC **D19/78**

(58) **Field of Classification Search**
USPC D3/201, 206, 215, 313, 901; D6/512, D6/513, 540, 553, 574, 672; D9/500, D9/519, 549, 428; D19/75, 77-87, 90-92
CPC .. B43M 99/00; B43M 99/001; B43M 99/002; B43M 99/003; B43M 99/006; B43M 99/008; B43M 99/009
See application file for complete search history.

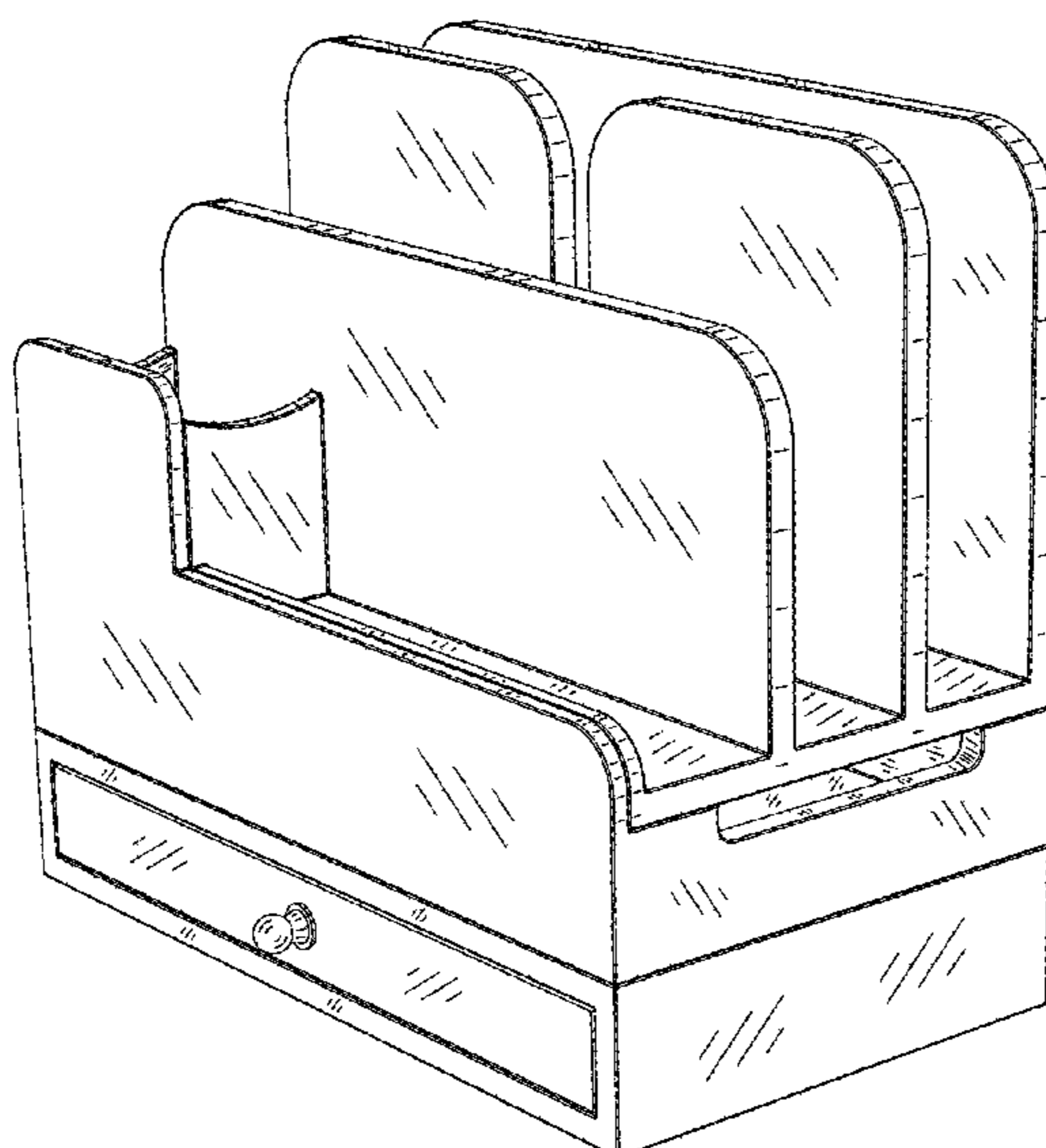
FIG. 1 is a front elevation view of a desk organizer showing my new design;
FIG. 2 is a rear elevation view thereof;
FIG. 3 is a left side elevation view thereof;
FIG. 4 is a right side elevation view thereof;
FIG. 5 is a top plan view thereof;
FIG. 6 is a bottom plan view thereof;
FIG. 7 is a front side perspective view thereof;
FIG. 8 is a top front perspective view thereof;
FIG. 9 is a front side perspective view of the base shown without the other two parts of the desk organizer for convenience of illustration;
FIG. 10 is a rear side perspective view of the box shown without the other two parts of the desk organizer for convenience of illustration; and,
FIG. 11 is a front side perspective view of the document holder shown without the other two parts of the desk organizer for convenience of illustration.
The desk organizer is assembled by a base, a box and a document holder.
The broken lines depict portions of the desk organizer that form no part of the claimed design.

(56) **References Cited**

U.S. PATENT DOCUMENTS

D59,274 S * 10/1921 Plym D19/21
D129,724 S * 9/1941 Gardner D19/75
D148,431 S * 1/1948 Lund 206/558
D185,130 S * 5/1959 Camilli D19/78
D251,254 S * 3/1979 Tiedemann D19/90
D270,256 S * 8/1983 Sankey D19/75
D276,734 S * 12/1984 Landstrom D19/91
D277,969 S * 3/1985 Bustos D19/75
D290,141 S * 6/1987 Rabig D19/90
D290,852 S * 7/1987 Wang D19/75
D321,011 S * 10/1991 Blossom D19/75
D330,047 S * 10/1992 Evenson D19/75

1 Claim, 9 Drawing Sheets



(56)

References Cited

U.S. PATENT DOCUMENTS

D495,006	S	*	8/2004	Stravitz	D19/75
D495,367	S	*	8/2004	Stravitz	D19/75
D497,184	S	*	10/2004	Bain	D19/75
D512,102	S	*	11/2005	DeCarlo	D19/90
D531,226	S	*	10/2006	Chen	D19/78
D612,891	S	*	3/2010	Chen	D19/78
D634,785	S	*	3/2011	Stravitz	D19/78
D678,947	S	*	3/2013	Stravitz	D19/78
D739,463	S	*	9/2015	Lee	D19/78

* cited by examiner

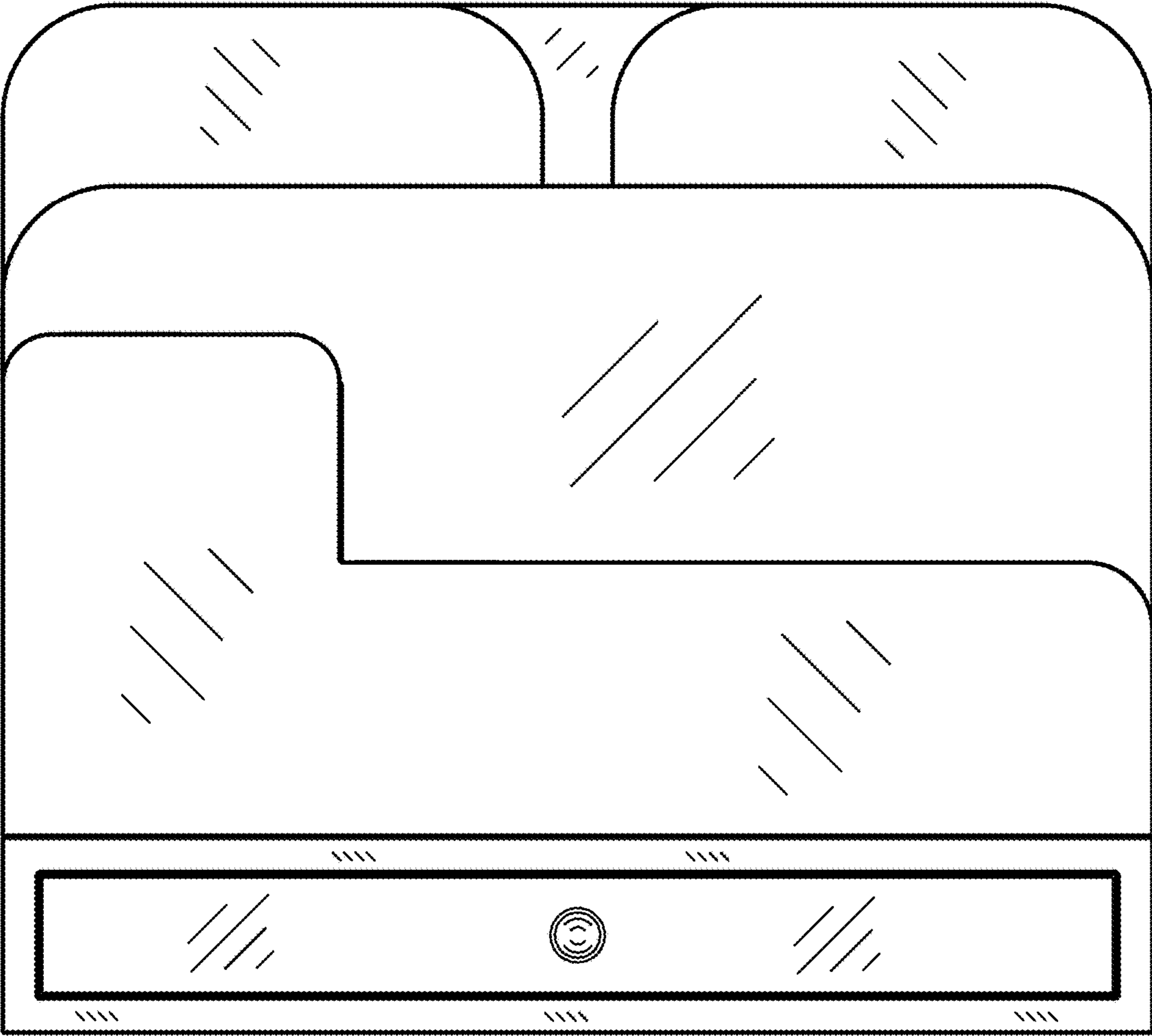


Fig. 1

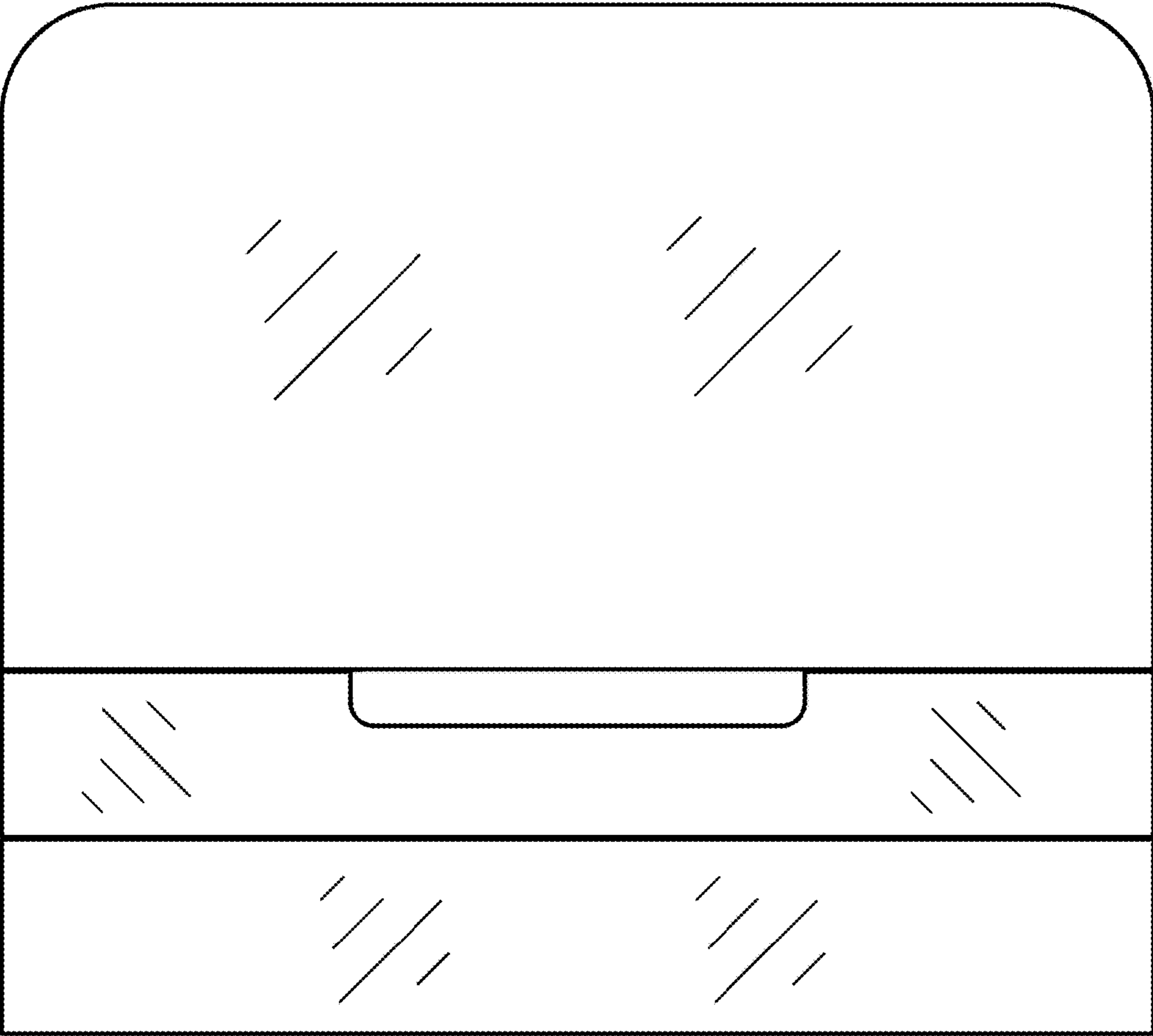


Fig. 2

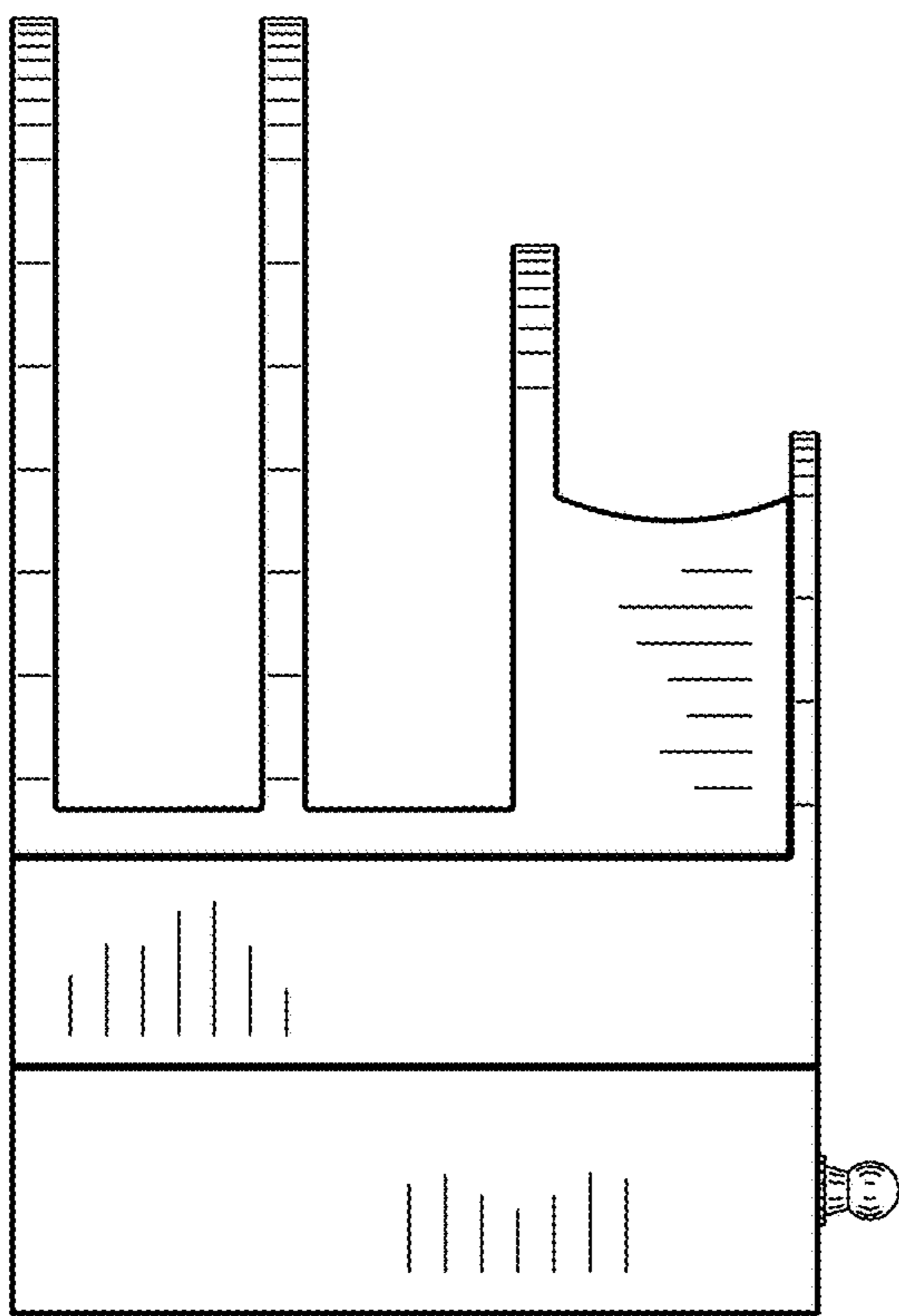


Fig. 3

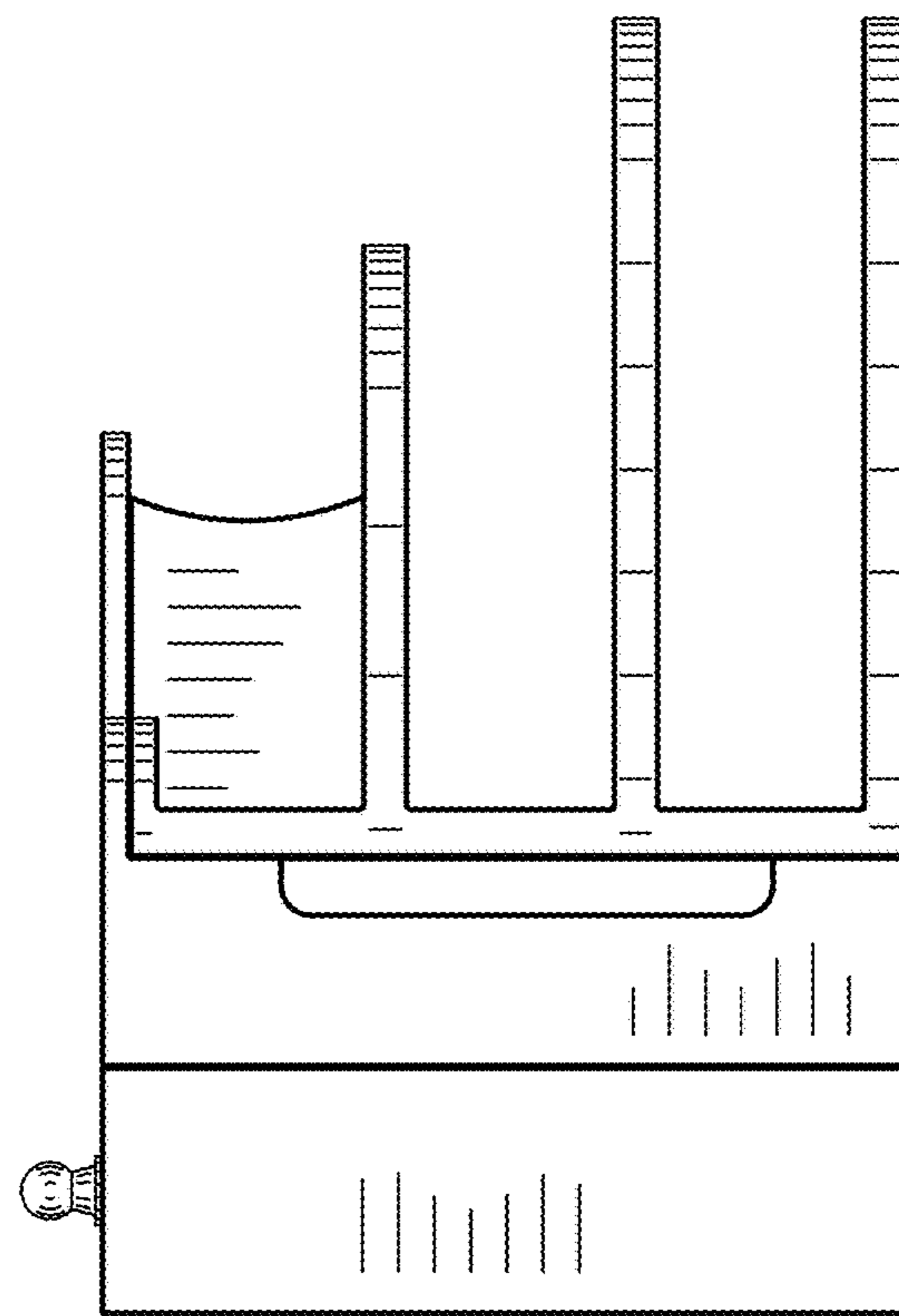


Fig. 4

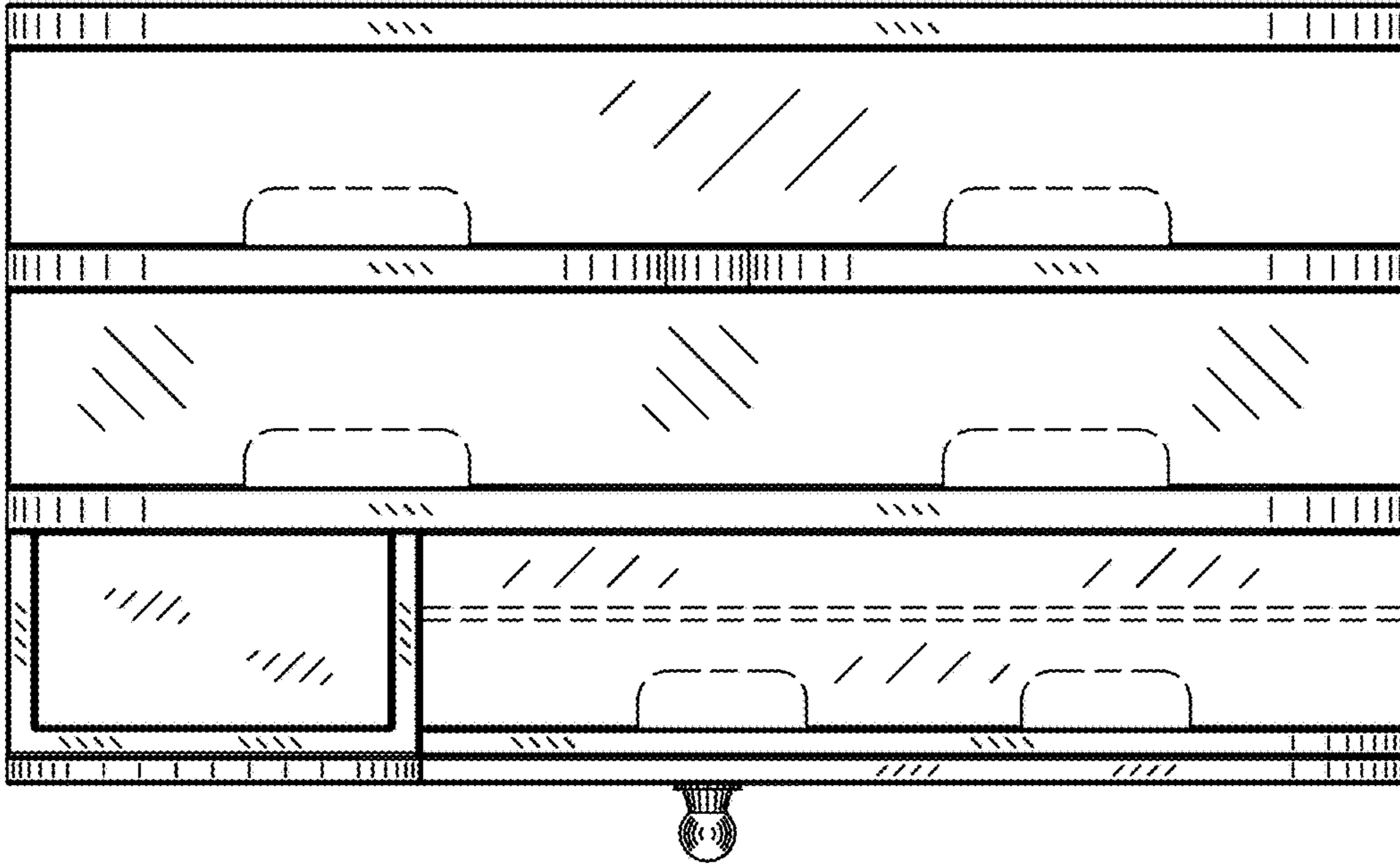


Fig. 5

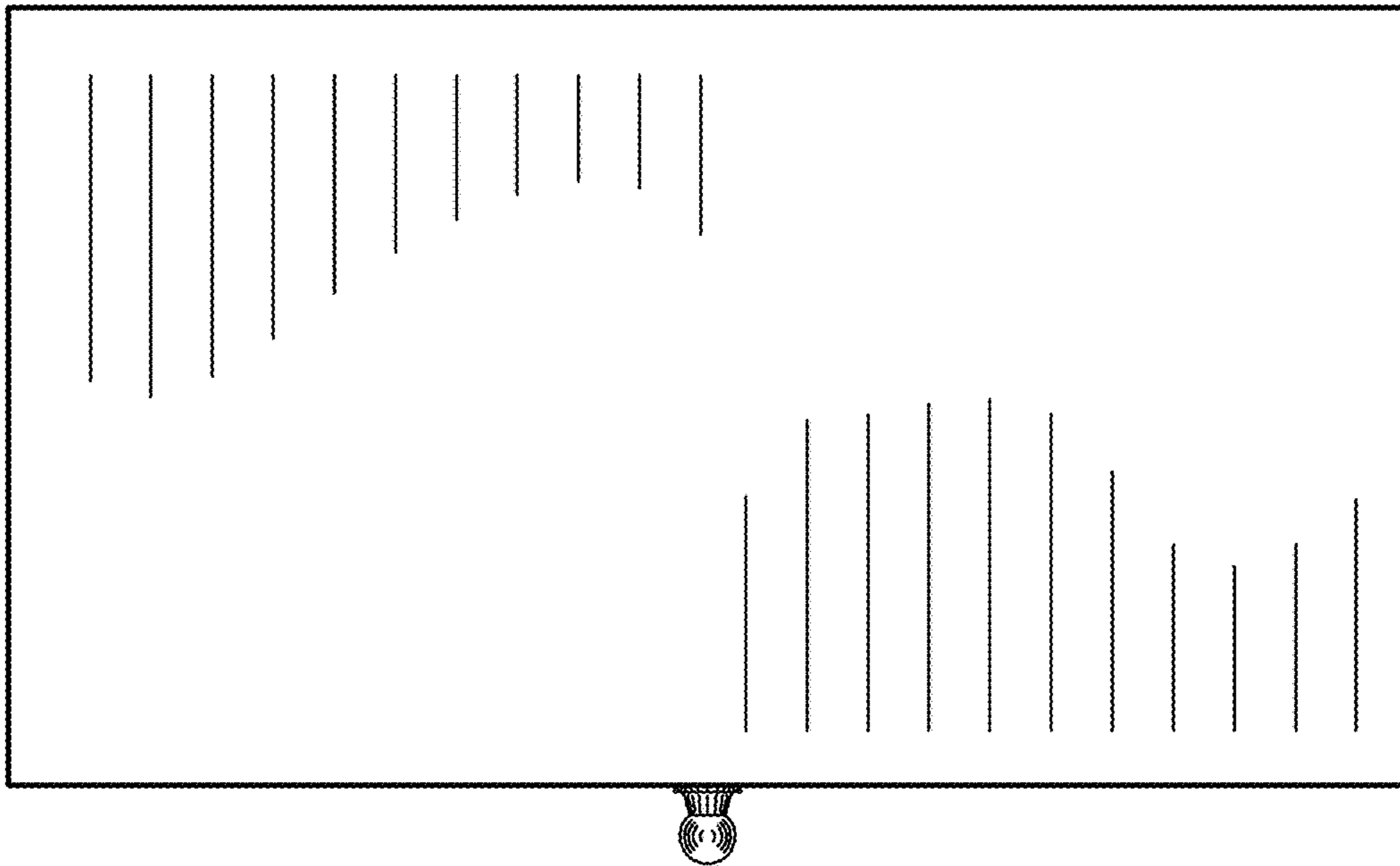


Fig. 6

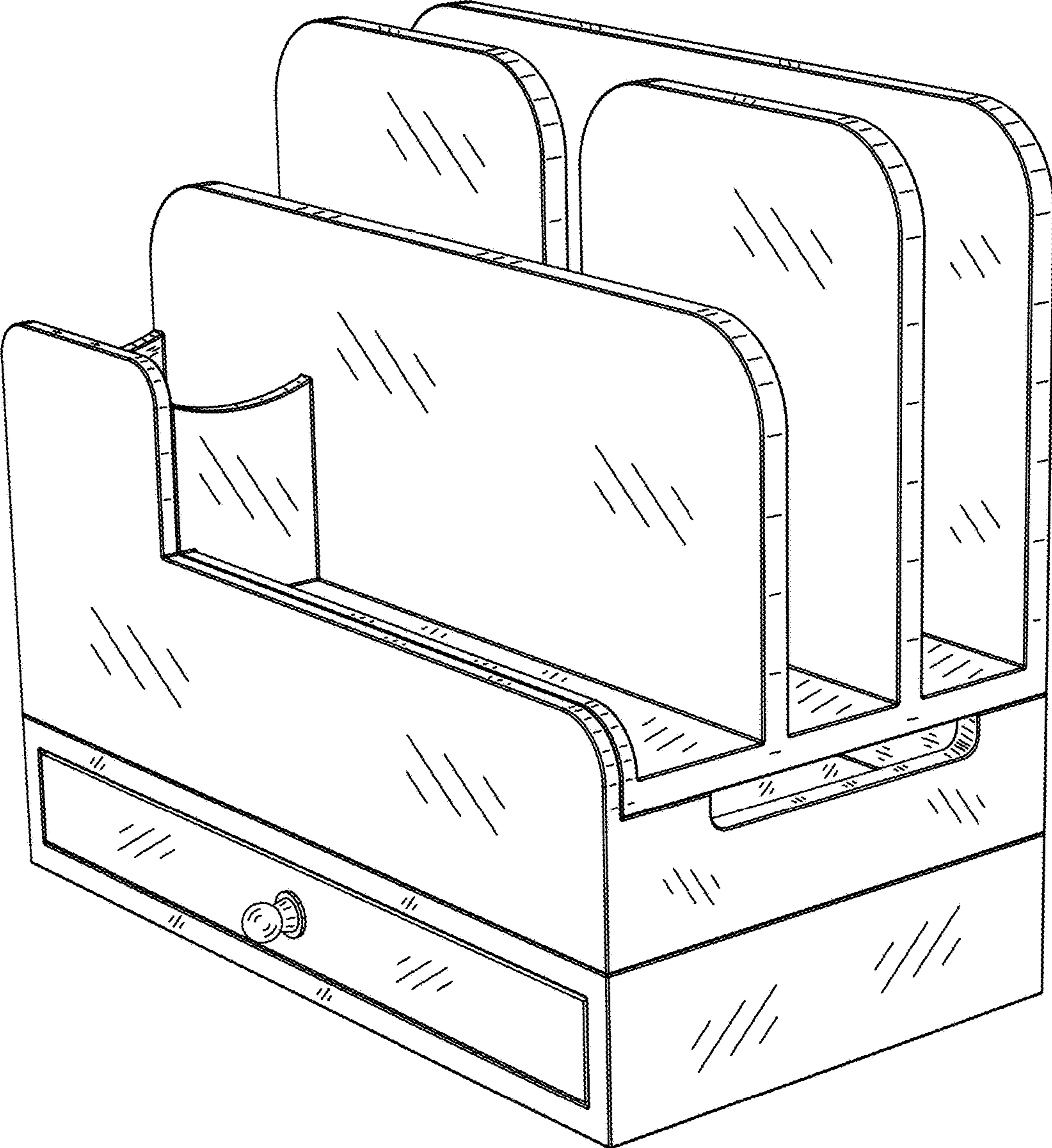


Fig .7

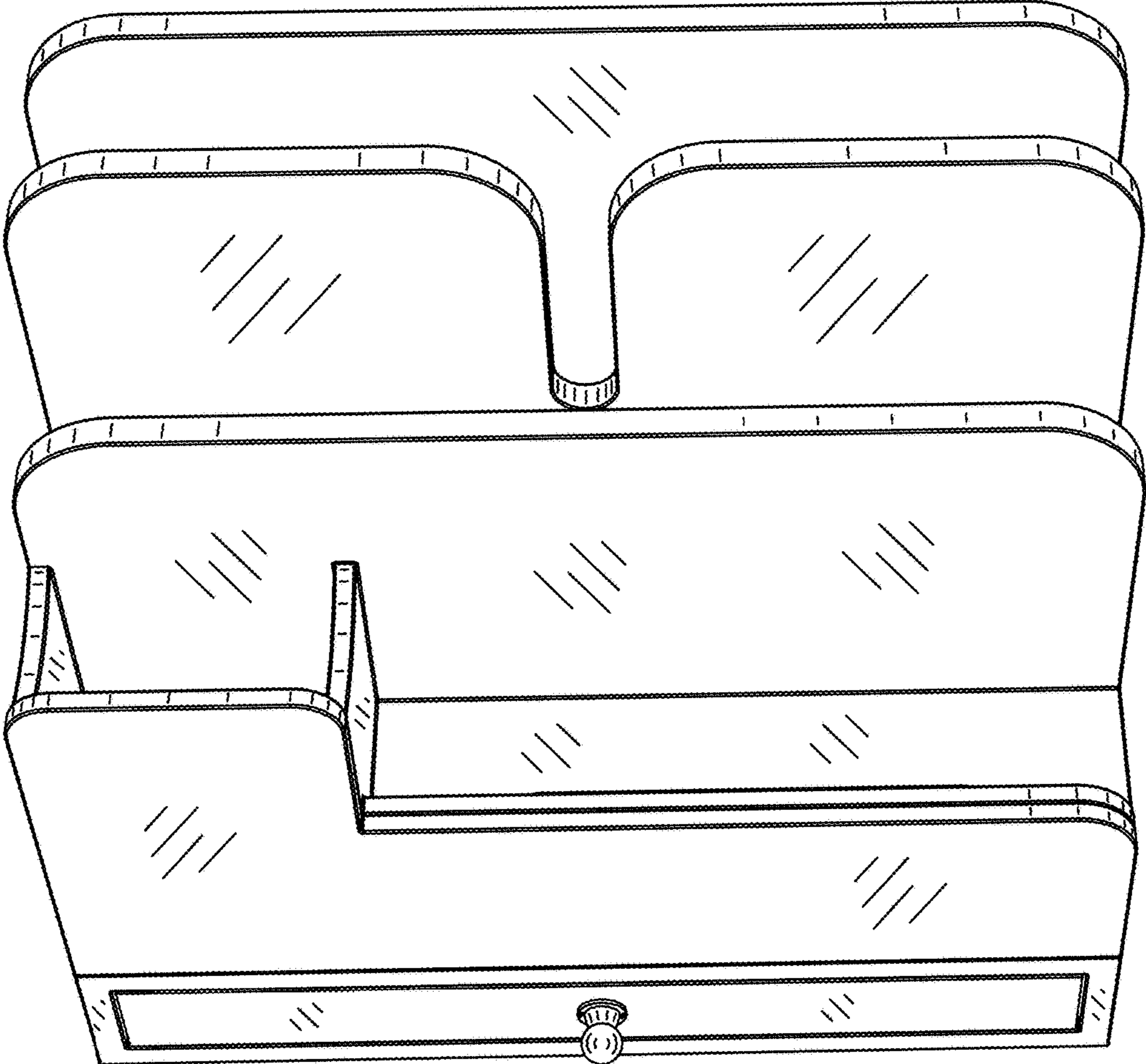


Fig. 8

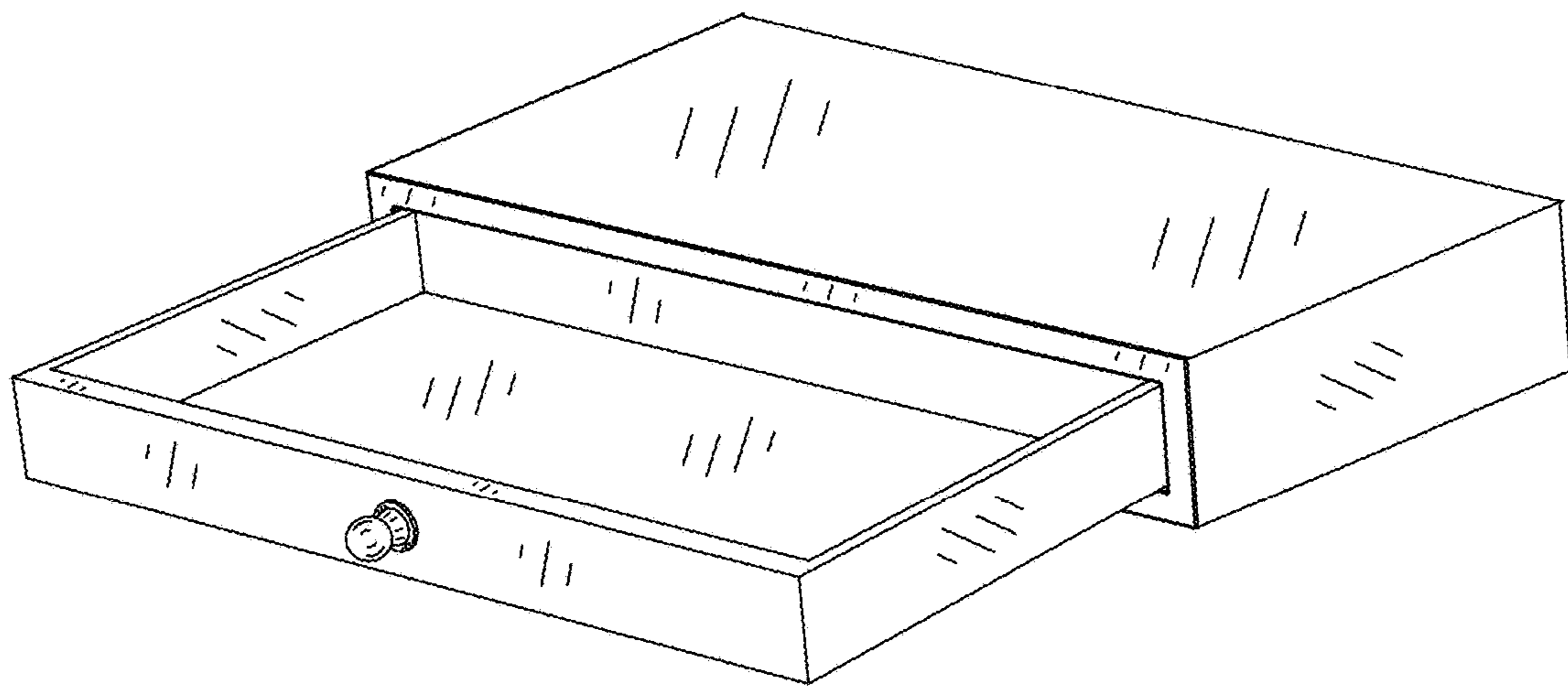


Fig. 9

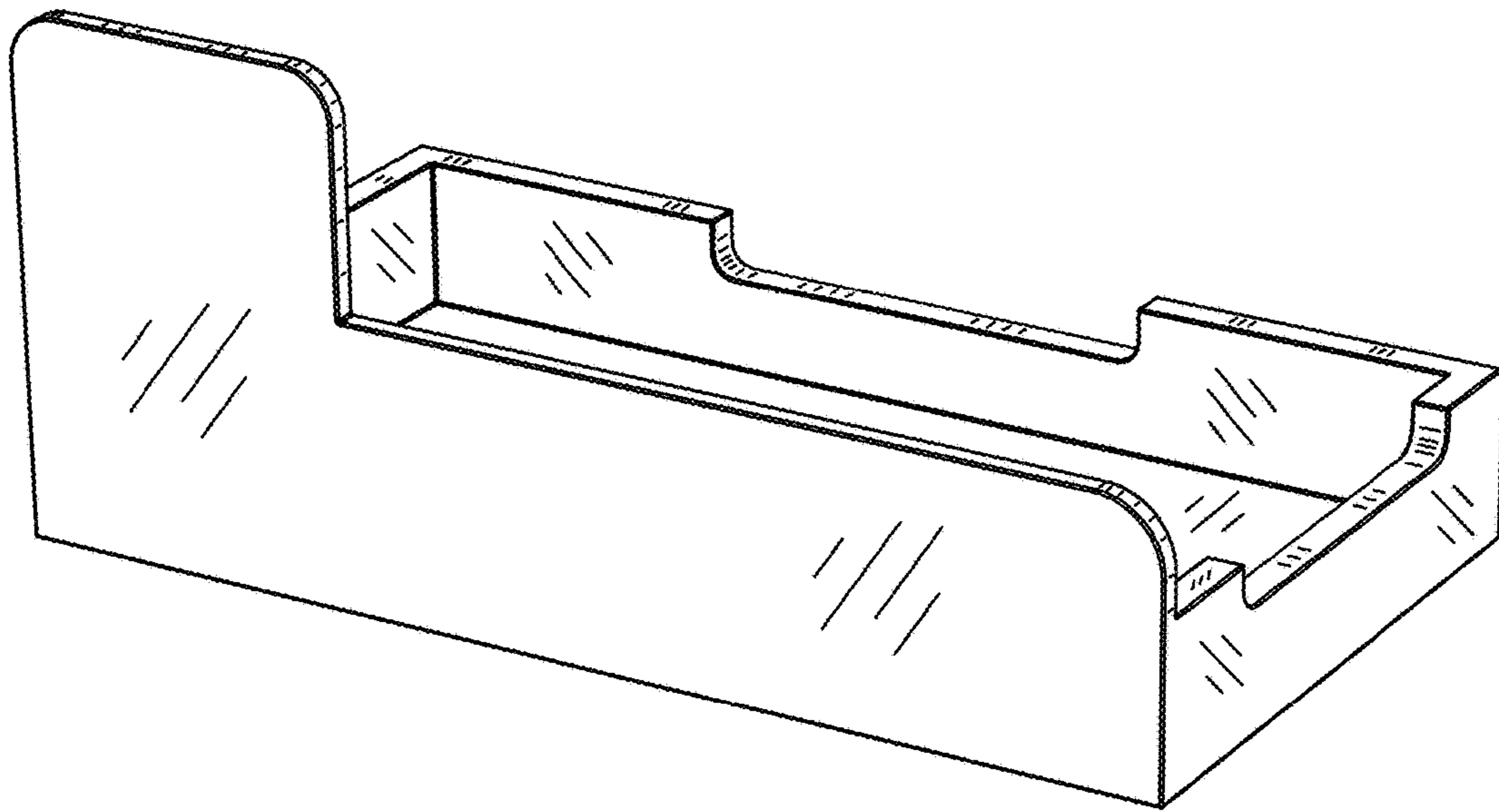


Fig. 10

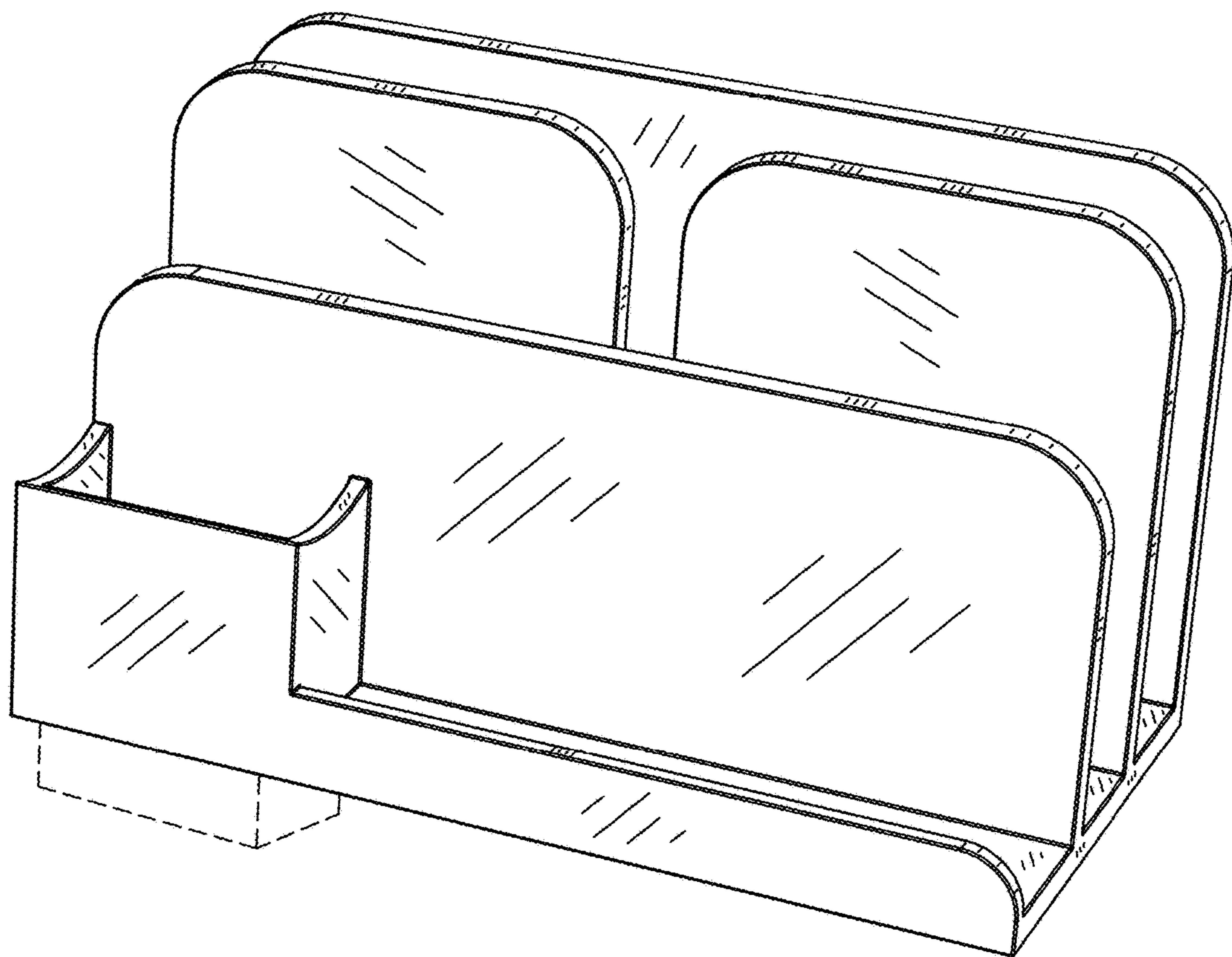


Fig. 11