



US00D798949S

(12) **United States Design Patent** (10) **Patent No.:** **US D798,949 S**
Toba et al. (45) **Date of Patent:** **** Oct. 3, 2017**

(54) **PROCESS CARTRIDGE FOR IMAGE FORMING APPARATUS**

(71) Applicant: **Canon Kabushiki Kaisha**, Ohta-ku, Tokyo (JP)

(72) Inventors: **Shinjiro Toba**, Yokohama (JP);
Masanari Morioka, Yokohama (JP);
Tetsushi Uneme, Kawasaki (JP);
Yuichi Fukui, Yokosuka (JP)

(73) Assignee: **Canon Kabushiki Kaisha**, Tokyo (JP)

(**) Term: **15 Years**

(21) Appl. No.: **29/546,566**

(22) Filed: **Nov. 24, 2015**

(30) **Foreign Application Priority Data**

May 27, 2015 (JP) 2015-011634
May 27, 2015 (JP) 2015-011635
May 27, 2015 (JP) 2015-011636
May 27, 2015 (JP) 2015-011637

(51) **LOC (10) Cl.** **16-03**

(52) **U.S. Cl.**
USPC **D18/43**

(58) **Field of Classification Search**

USPC D14/471, 474, 475; D16/246; D18/12,
D18/36-39, 40, 43, 44, 49, 50-59;
347/121, 122, 222-224; 399/24-30,
399/107-125, 222-224, 252-262,
399/343-360; 222/DIG. 1

CPC G03G 15/00; G03G 15/08; G03G 15/0815;
G03G 21/08; G03G 21/1814; G03G
21/1835; G03G 21/185; G03G 21/1842;
(Continued)

(56) **References Cited**

U.S. PATENT DOCUMENTS

D462,984 S * 9/2002 Hayashi D18/40
D464,079 S * 10/2002 Funayama D18/43

(Continued)

OTHER PUBLICATIONS

S. Toba, U.S. Appl. No. 29/529,583, filed Jun. 9, 2015.
S. Toba, U.S. Appl. No. 29/529,582, filed Jun. 9, 2015.
S. Toba, U.S. Appl. No. 29/529,581, filed Jun. 9, 2015.

Primary Examiner — Wan Laymon

Assistant Examiner — Clint A Samuel

(74) *Attorney, Agent, or Firm* — Fitzpatrick, Cella,
Harper & Scinto

(57) **CLAIM**

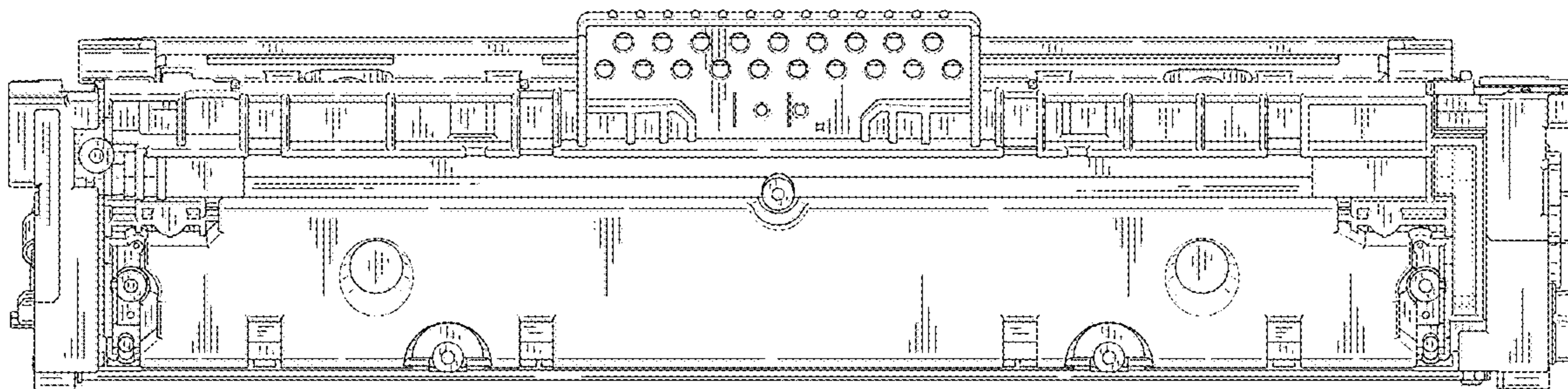
The ornamental design for a process cartridge for image forming apparatus, as shown and described.

DESCRIPTION

FIG. 1 is a front view of an embodiment of a process cartridge for image forming apparatus;
FIG. 2 is a rear view thereof;
FIG. 3 is a top plan view thereof;
FIG. 4 is a bottom plan view thereof;
FIG. 5 is a left side view thereof;
FIG. 6 is a right side view thereof;
FIG. 7 is a front perspective view thereof;
FIG. 8 is a rear perspective view thereof;
FIG. 9 is a front view of another embodiment of a process cartridge for image forming apparatus;
FIG. 10 is a rear view thereof;
FIG. 11 is a top plan view thereof;
FIG. 12 is a bottom plan view thereof;
FIG. 13 is a left side view thereof;
FIG. 14 is a right side view thereof;
FIG. 15 is a front perspective view thereof; and,
FIG. 16 is a rear perspective view thereof.

The broken lines illustrate portions of the process cartridge for image forming apparatus that form no part of the claimed design.

1 Claim, 14 Drawing Sheets



(58) **Field of Classification Search**

CPC G03G 21/1857; G03G 21/1853; G03G
21/16-21/18

See application file for complete search history.

(56) **References Cited**

U.S. PATENT DOCUMENTS

D477,631 S *	7/2003	Mori	D18/40
D489,753 S	5/2004	Batori et al.	D18/40
D508,074 S	8/2005	Batori et al.	D18/40
D519,150 S	4/2006	Kojima et al.	D18/40
D522,565 S *	6/2006	Sanada	D18/43
D554,696 S *	11/2007	Long	D18/43
D587,304 S *	2/2009	Murayama	D18/43
D588,633 S *	3/2009	Oda	D18/43
D589,551 S *	3/2009	Han	D18/43
D591,338 S *	4/2009	Kusudo	D18/43
D598,950 S *	8/2009	Kusudo	D18/43
D614,691 S	4/2010	Abe et al.	D18/43
D631,088 S *	1/2011	Chadani	D18/43
D631,089 S *	1/2011	Chadani	D18/43
D631,090 S *	1/2011	Chadani	D18/43
D631,091 S *	1/2011	Chadani	D18/43
D631,092 S	1/2011	Nittani et al.	D18/43
D632,731 S	2/2011	Abe et al.	D18/43
D633,137 S *	2/2011	Chadani	D18/43
D637,225 S *	5/2011	Kishi	D18/43
D638,056 S *	5/2011	Kanno	D18/43
D638,057 S *	5/2011	Kanno	D18/43
D639,335 S *	6/2011	Kanno	D18/43
D639,846 S *	6/2011	Kanno	D18/43
D723,614 S *	3/2015	Shimizu	D18/43
D746,904 S *	1/2016	Kitagawa	D18/43
D763,347 S *	8/2016	Goto	D18/43

* cited by examiner

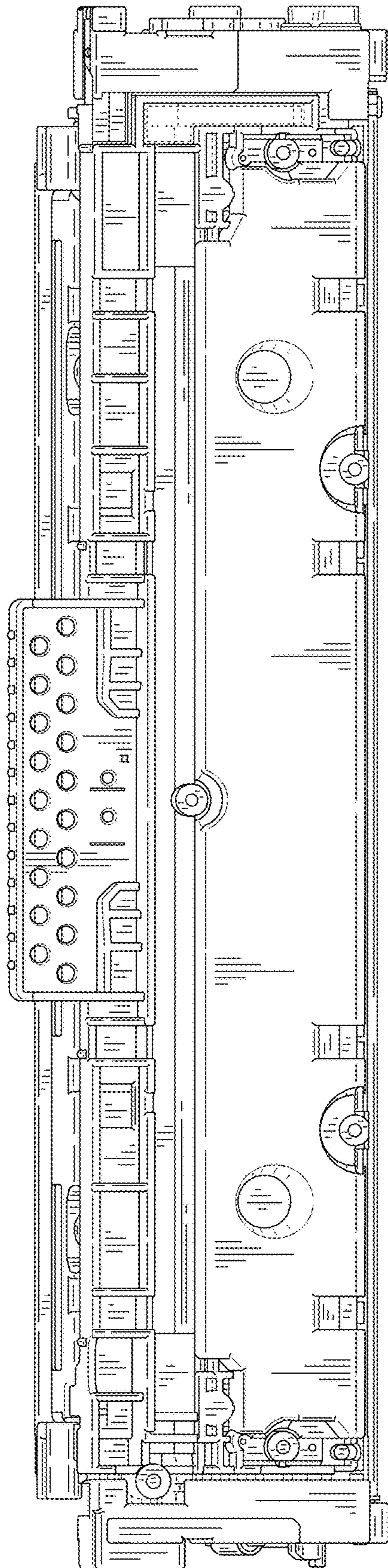


FIG. 1

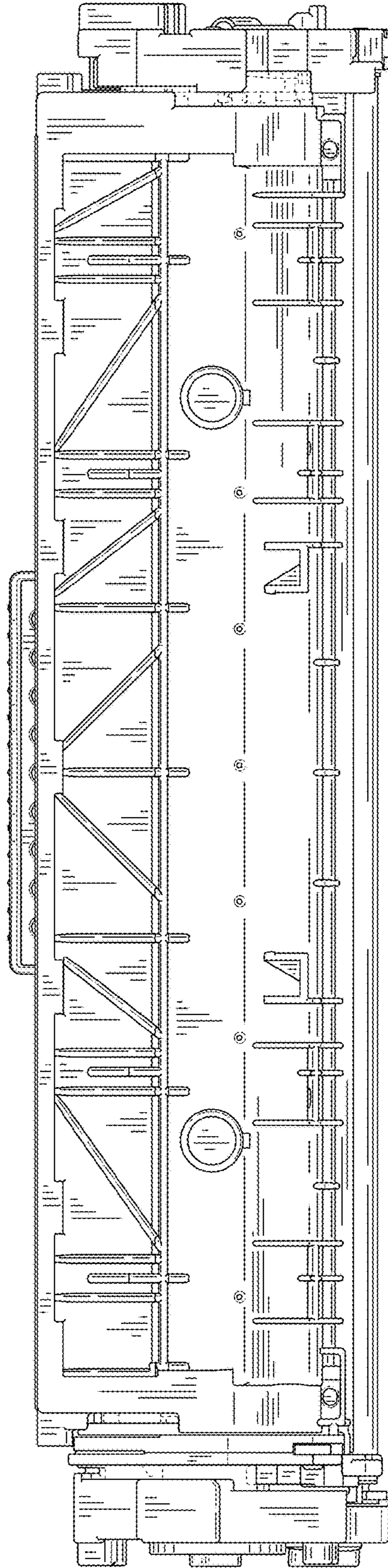


FIG. 2

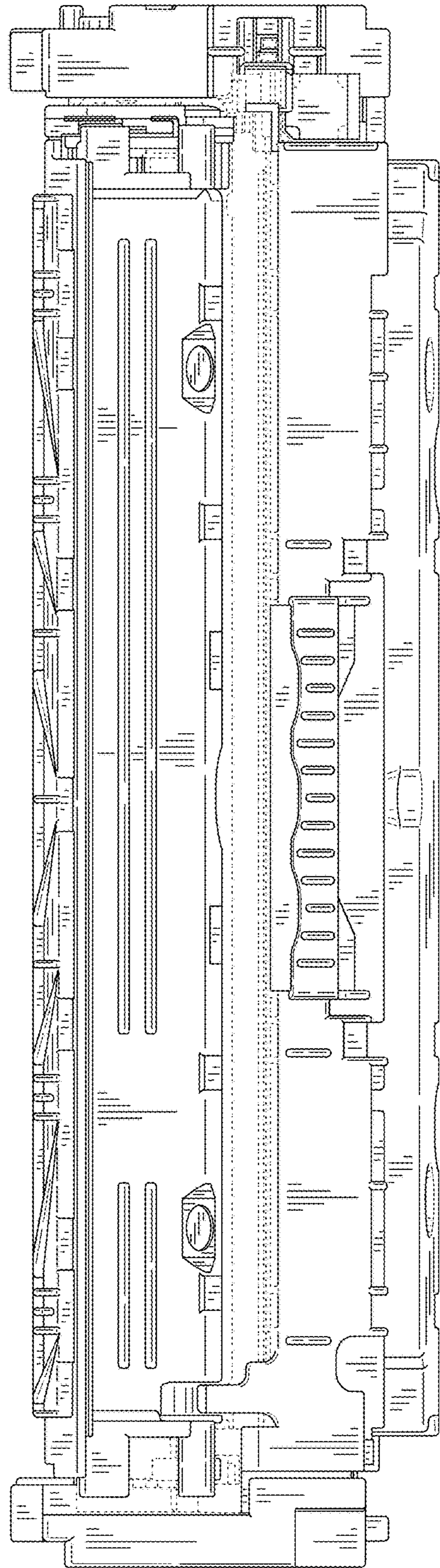


FIG. 3

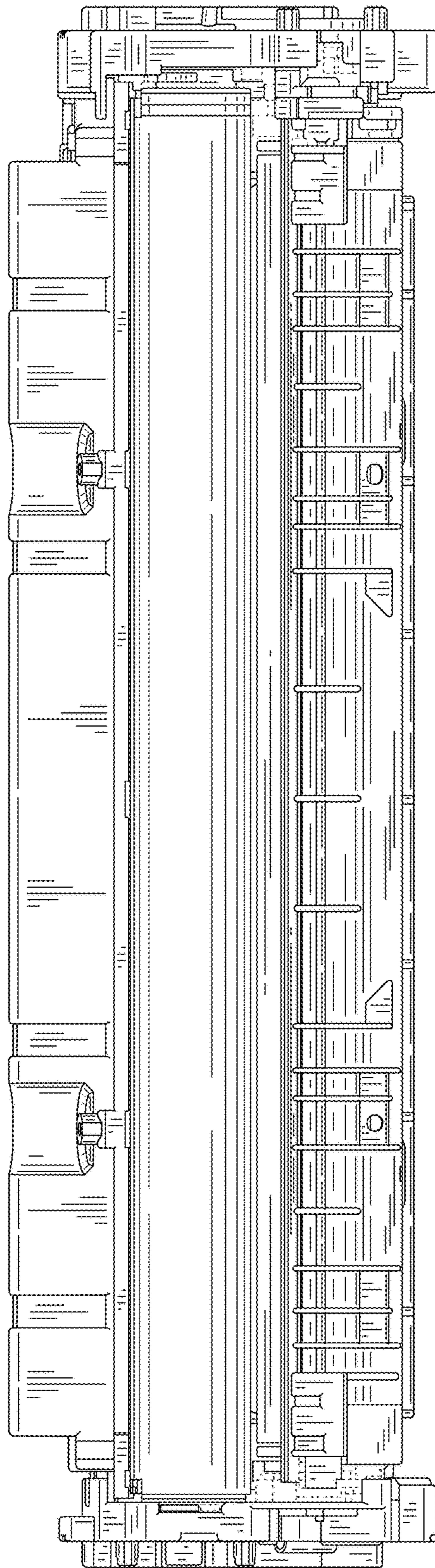


FIG. 4

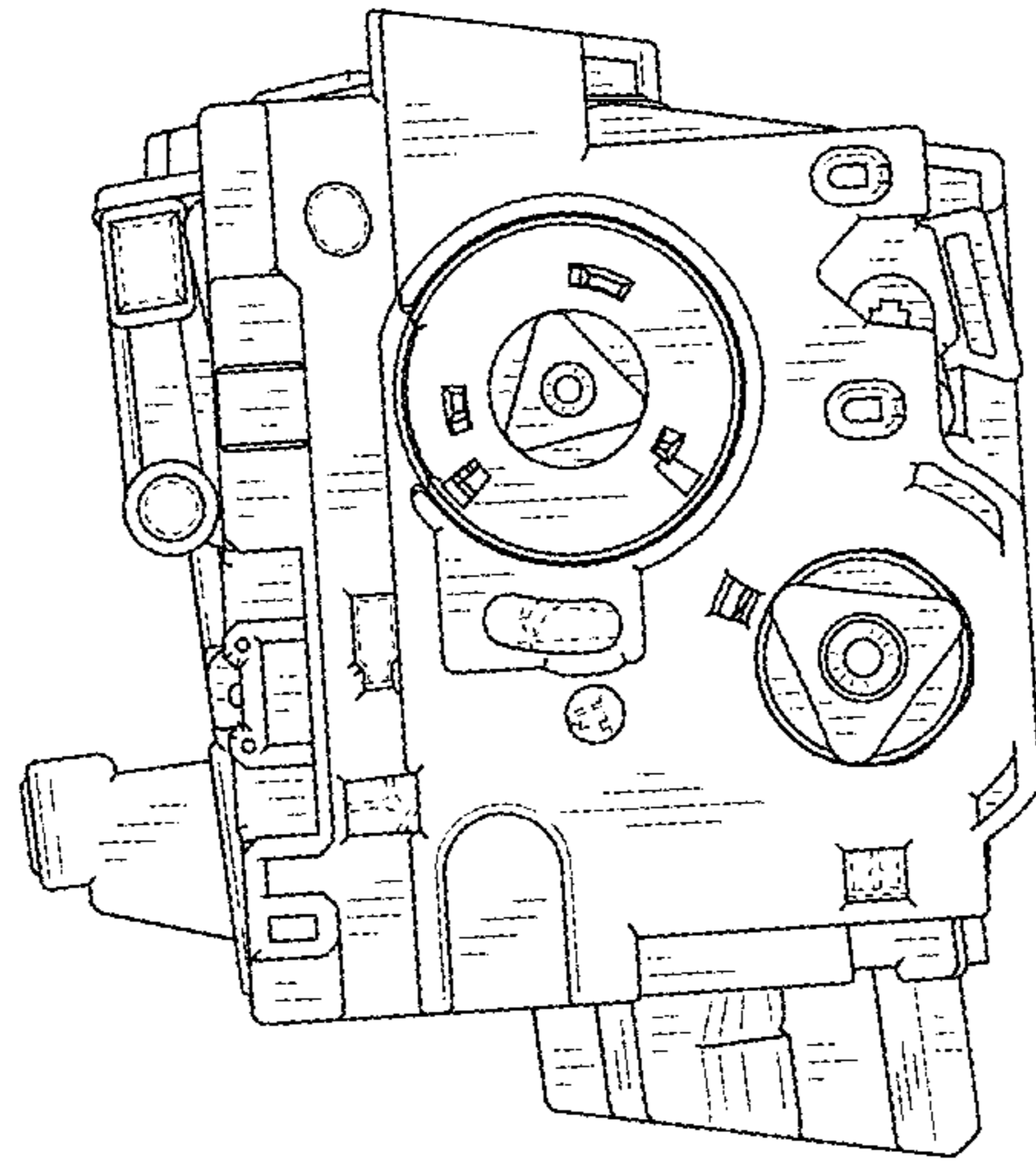


FIG. 6

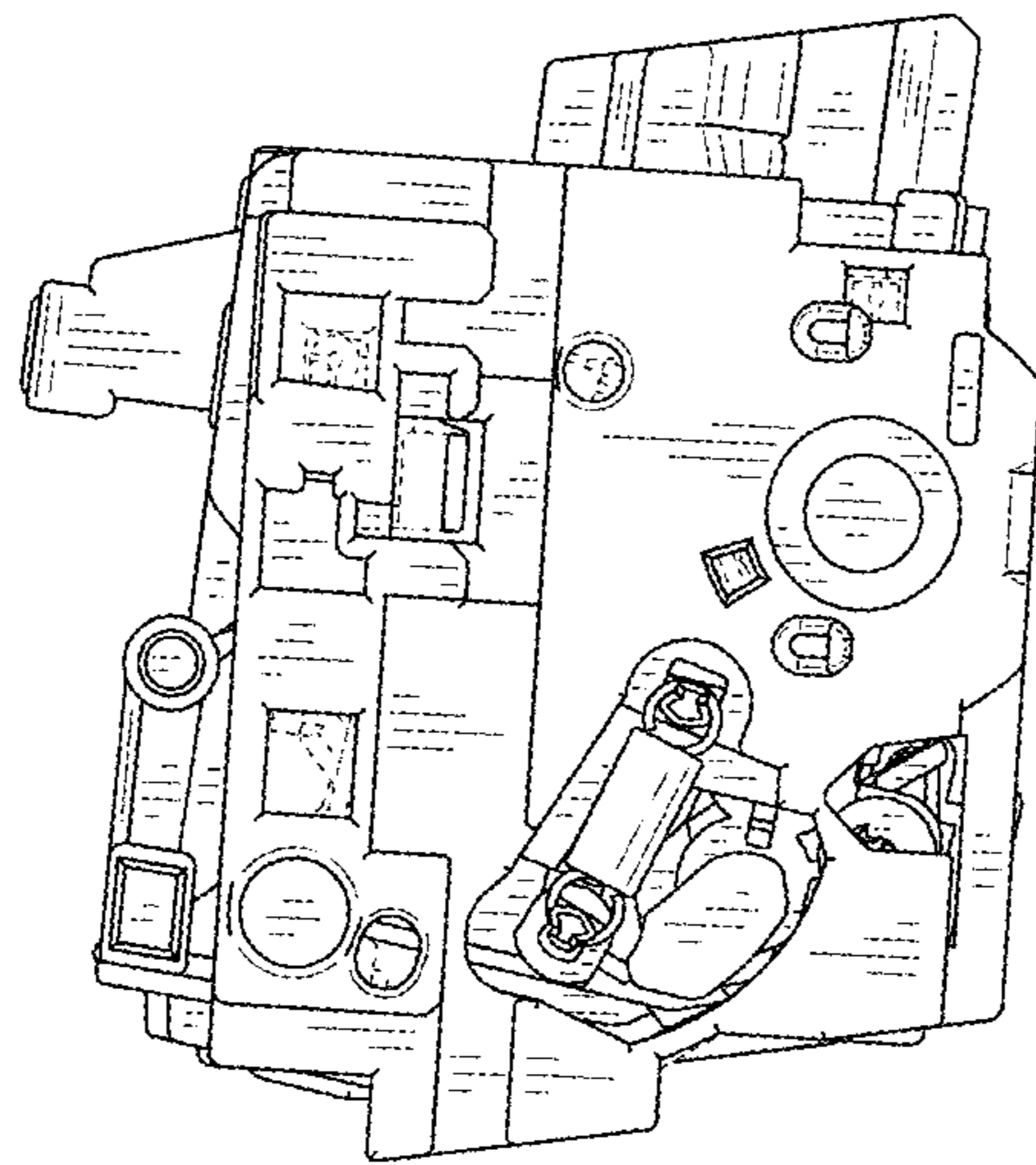


FIG. 5

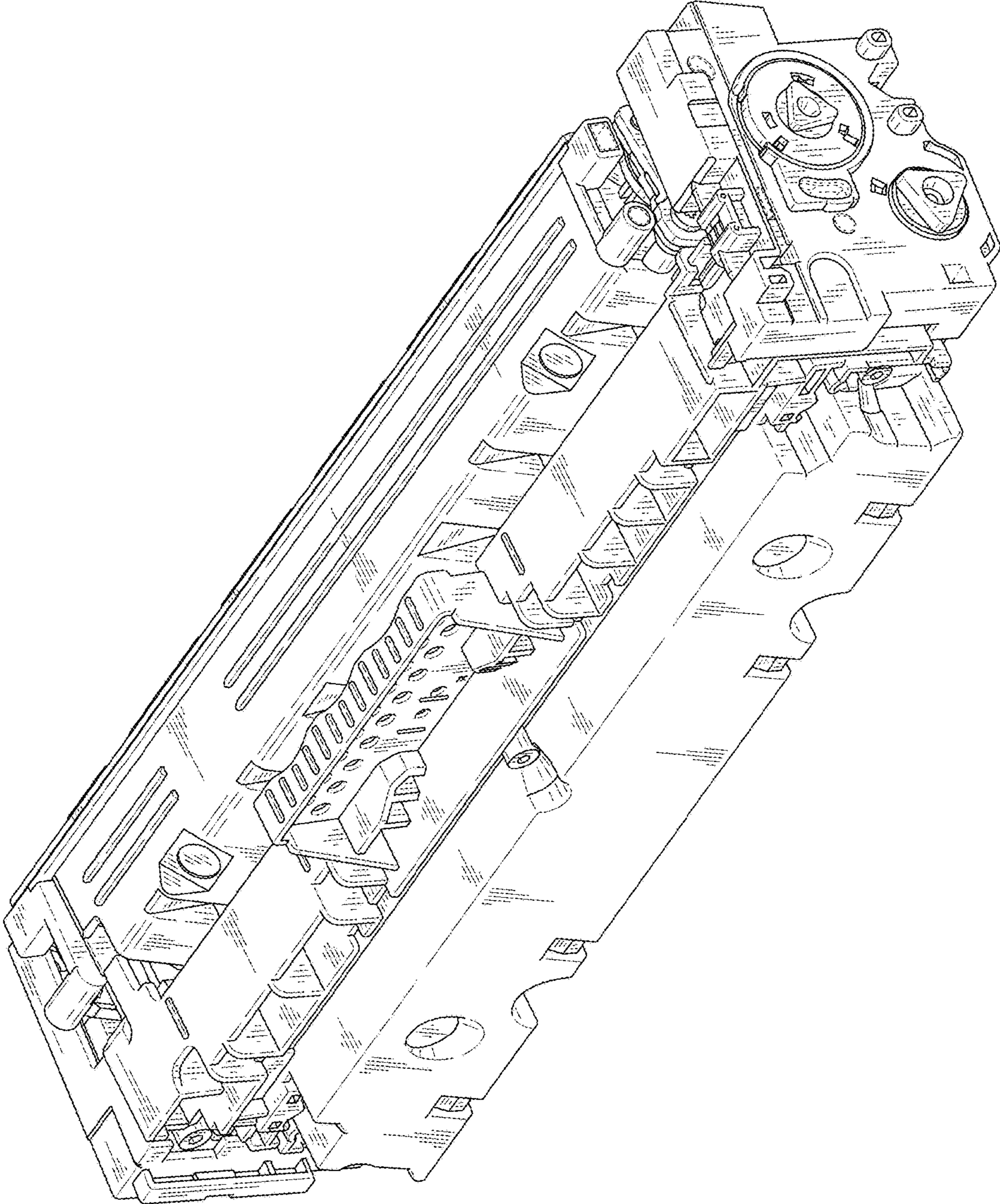


FIG. 7

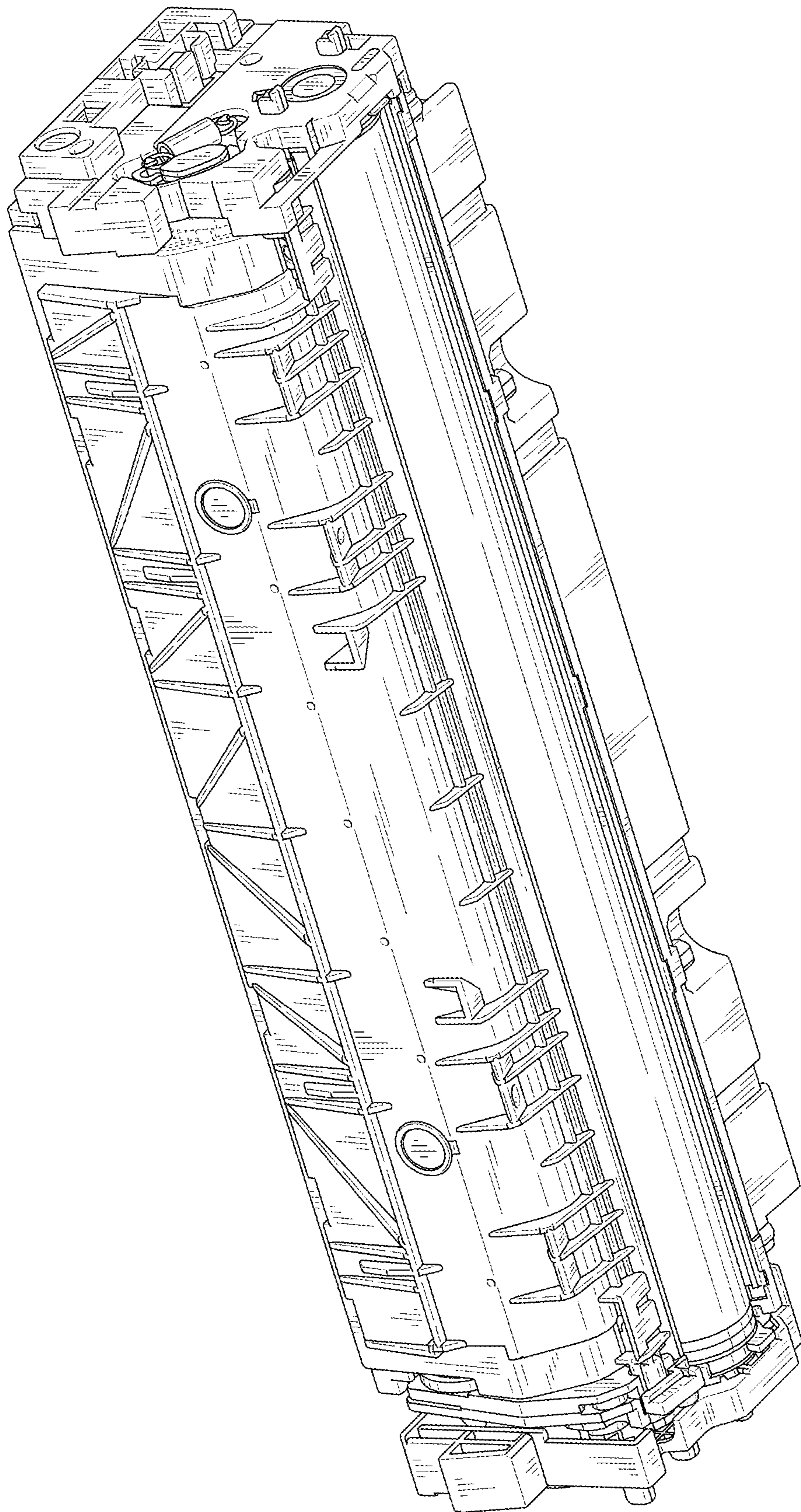


FIG. 8

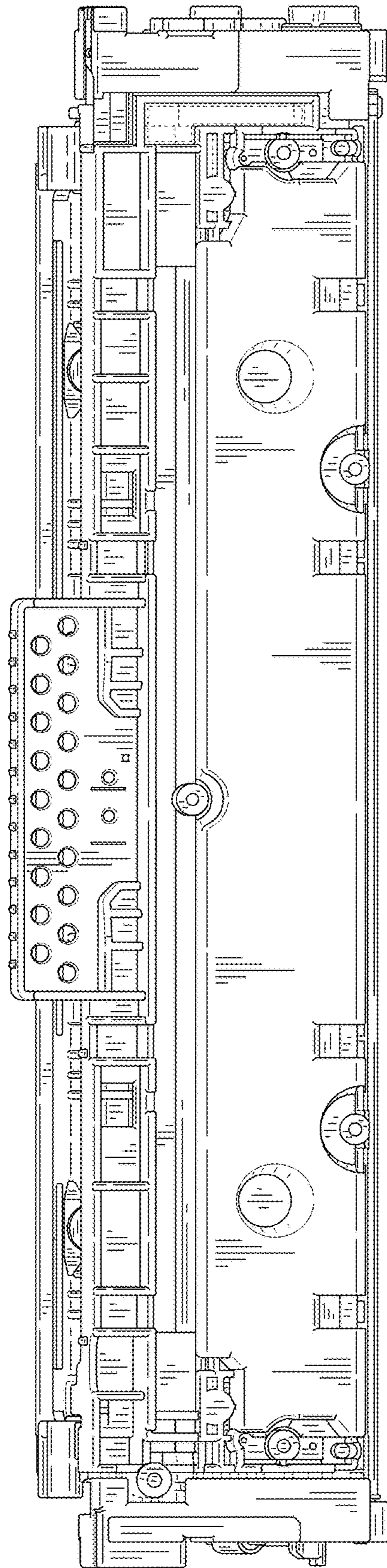


FIG. 9

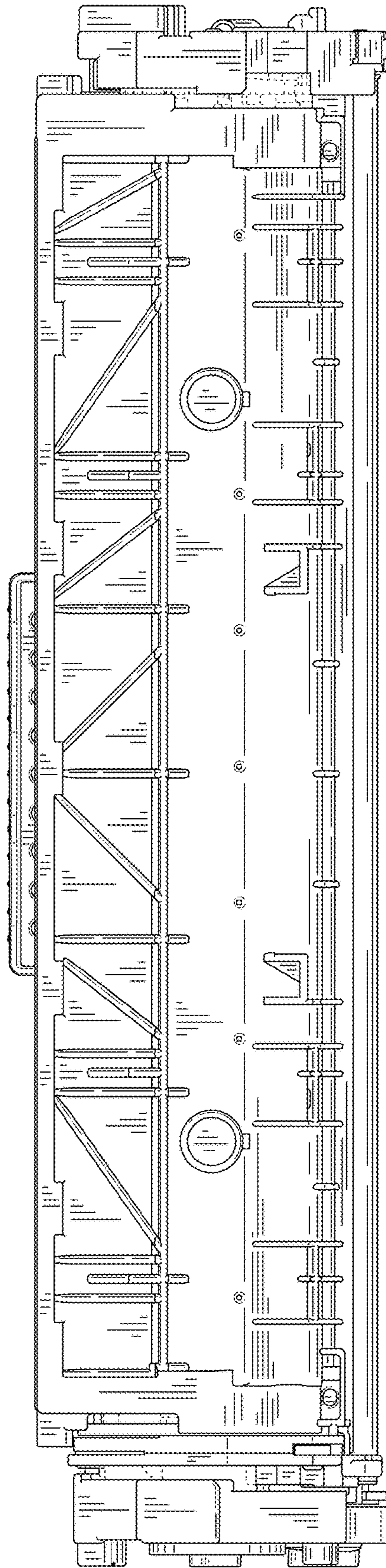


FIG. 10

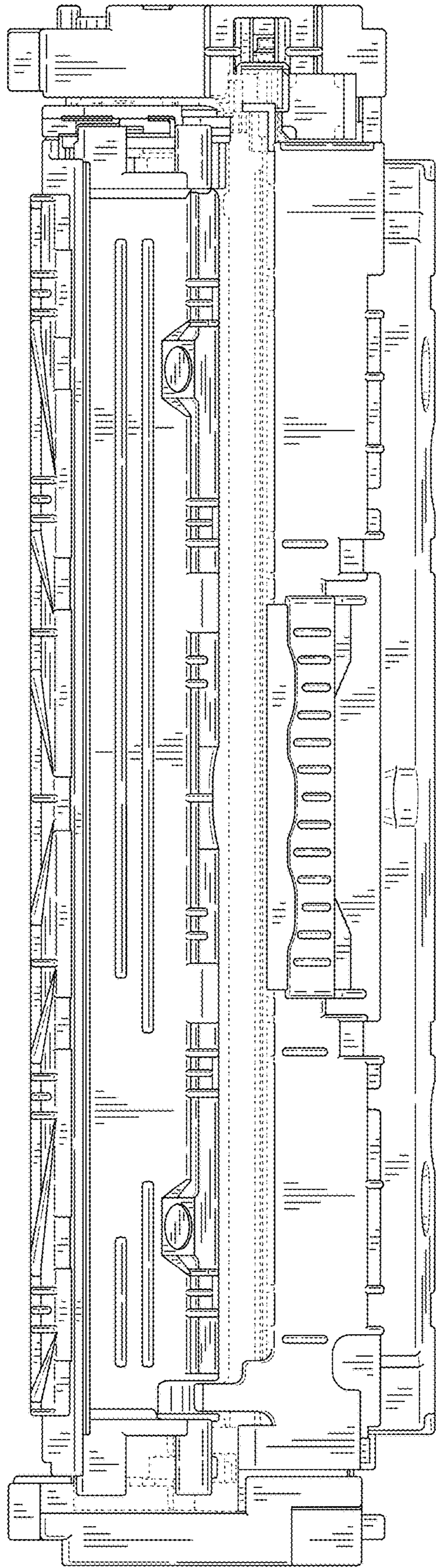


FIG. 11

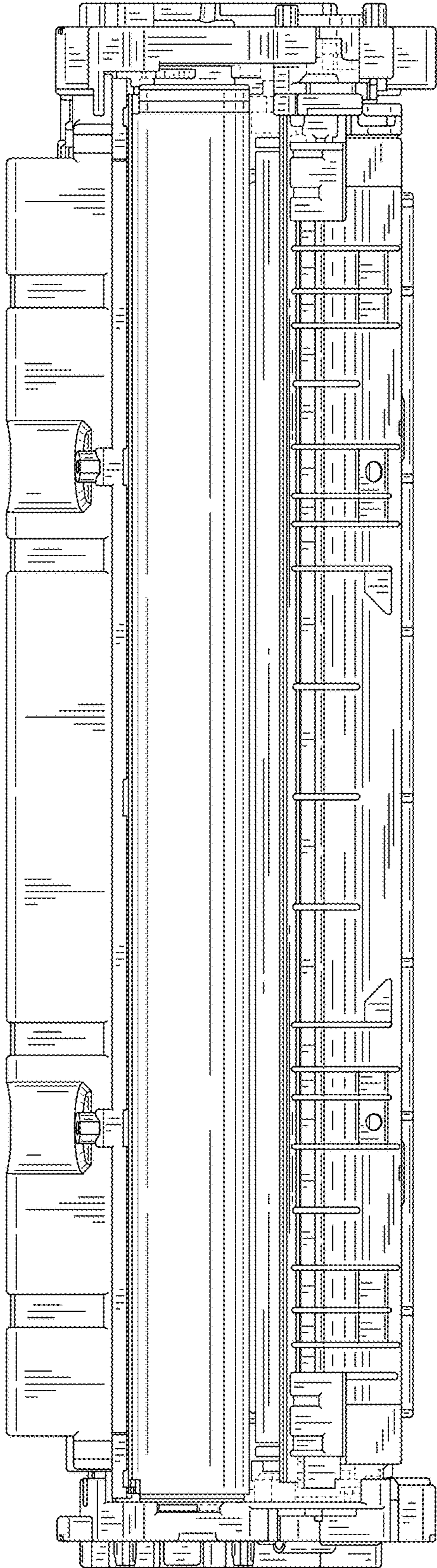


FIG. 12

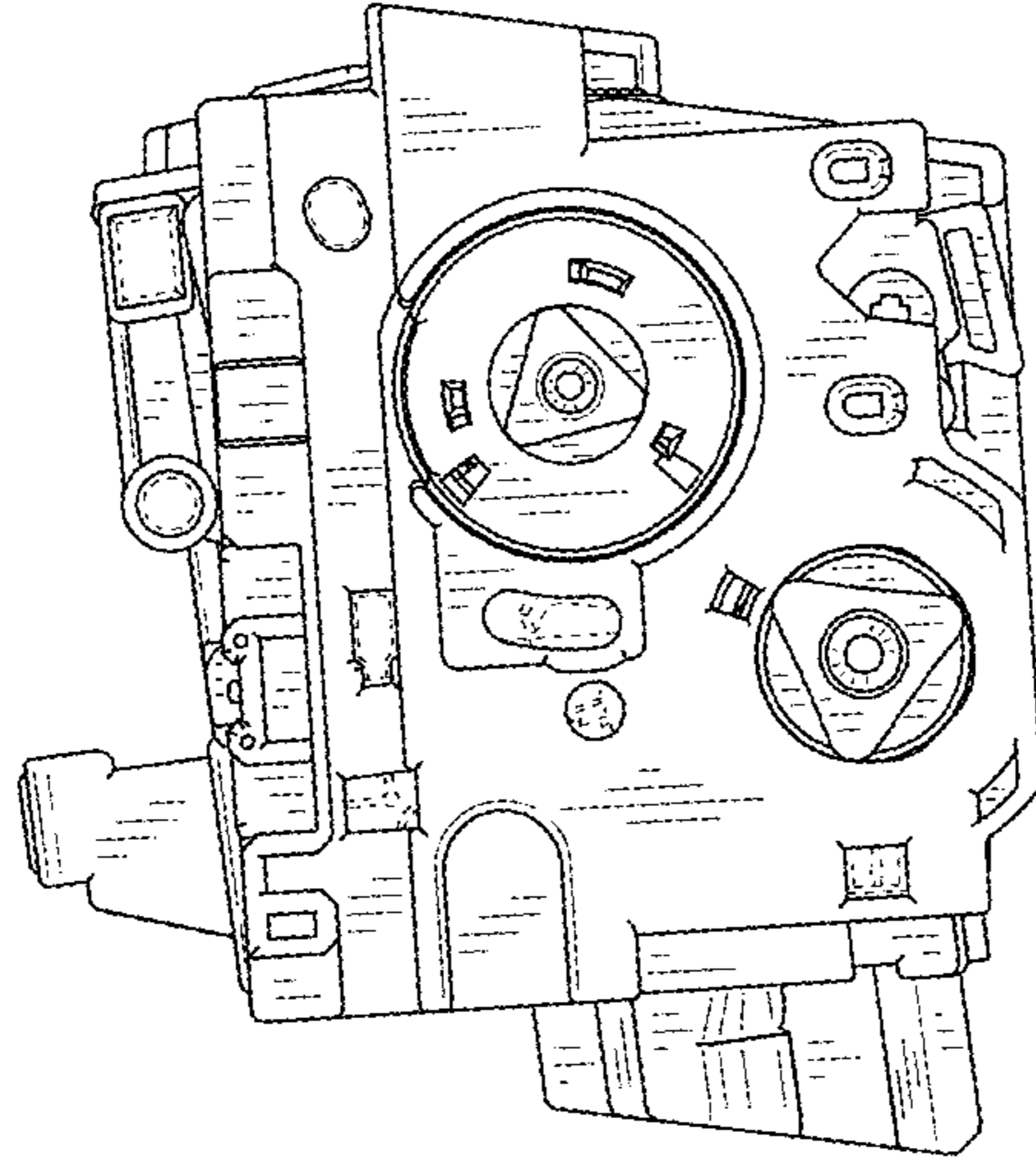


FIG. 14

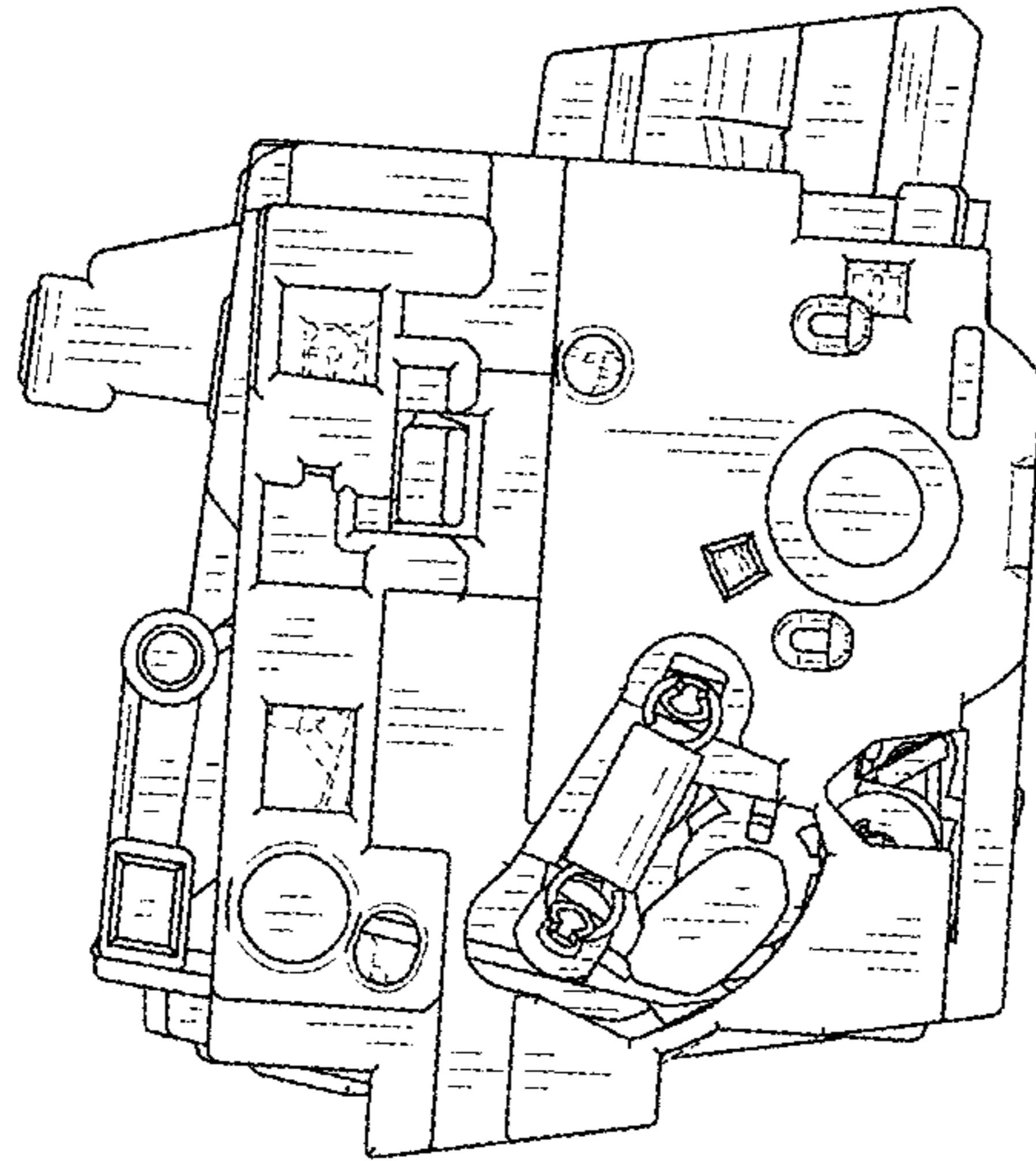


FIG. 13

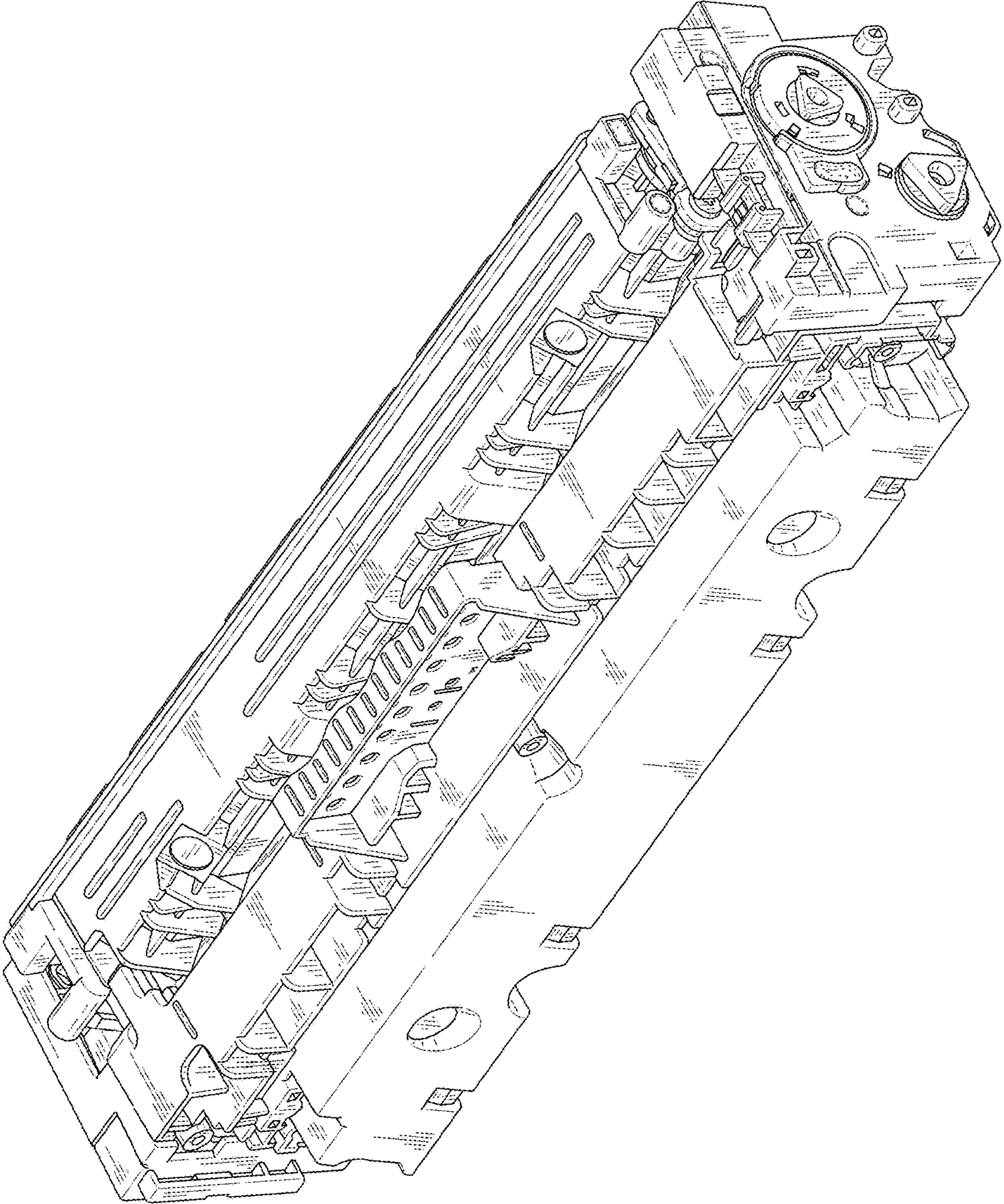


FIG. 15

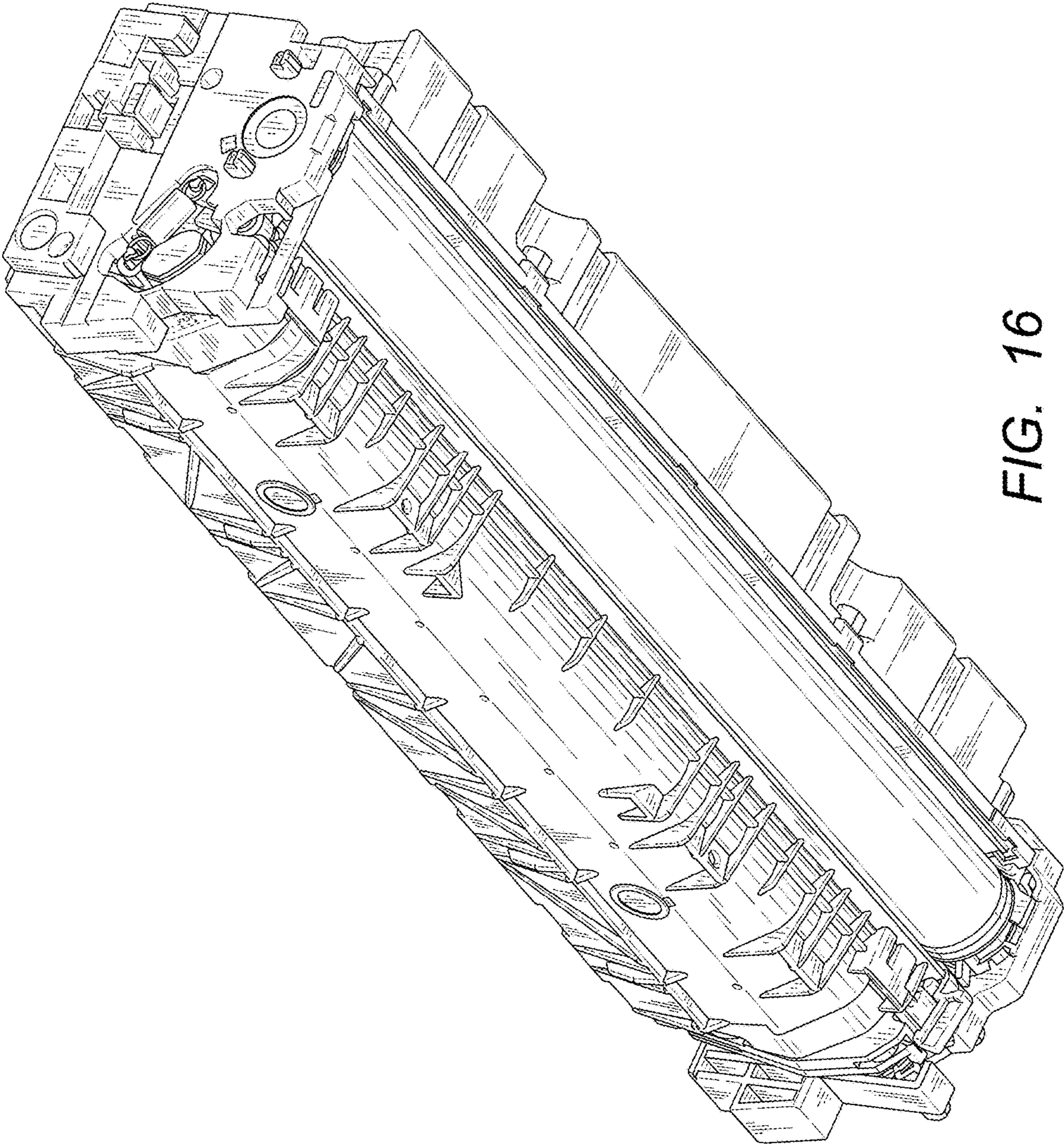


FIG. 16