



US00D798947S

(12) **United States Design Patent**
Porter

(10) **Patent No.:** **US D798,947 S**

(45) **Date of Patent:** **** Oct. 3, 2017**

(54) **MUSICAL INSTRUMENT**

(71) Applicant: **Warwick Porter**, Ocean Shores (AU)

(72) Inventor: **Warwick Porter**, Ocean Shores (AU)

(73) Assignee: **Warwick Porter**, Byron Bay (AU)

(**) Term: **15 Years**

(21) Appl. No.: **29/556,584**

(22) Filed: **Mar. 1, 2016**

(30) **Foreign Application Priority Data**

Oct. 6, 2015 (AU) PCT/AU2015/015206

(51) **LOC (10) Cl.** **17-04**

(52) **U.S. Cl.**
USPC **D17/22**

(58) **Field of Classification Search**

USPC 84/20, 21, 177, 179, 184, 189, 216, 236,
84/237, 239, 384, 402, 422.1, 701, 746;
211/41.17; 364/802; D1/106; D6/716;
D13/167; D17/1, 7, 9, 10, 20, 22, 99;
D21/405, 406, 408, 409; D24/194
CPC B24B 27/08; B27B 17/00; F16F 7/108;
F16F 7/10; F16F 1/371; F16F 1/376;
F16F 1/36; F16F 1/38; H01R 13/46;
H01H 9/02; A63H 5/00; G10D 13/08;
G10D 13/06; G10K 3/00

See application file for complete search history.

(56) **References Cited**

U.S. PATENT DOCUMENTS

4,438,674 A * 3/1984 Lawson G10H 1/0551
84/678
4,817,485 A * 4/1989 Bozzio G10H 1/348
84/746

5,659,145 A * 8/1997 Weil G10H 1/348
84/464 R
7,045,701 B1 * 5/2006 Walker G05G 1/38
324/207.2
8,324,494 B1 * 12/2012 Packouz G10H 1/0066
84/635
D767,506 S * 9/2016 Lewis D13/167
2004/0250673 A1 * 12/2004 Salerno G10H 1/32
84/746
2006/0230907 A1 * 10/2006 Delatorre G10K 3/00
84/402
2012/0174734 A1 * 7/2012 Dorfman G10D 13/006
84/422.1
2014/0000445 A1 * 1/2014 Gulak G10H 3/146
84/730

OTHER PUBLICATIONS

Wazinator Stompbox Review, posted at Youtube.com, posted on Apr. 5, 2016, [online], [site visited Nov. 7, 2016]. Available from Internet, <URL: <https://www.youtube.com/watch?v=WIMdtkQyhaA>>.*

(Continued)

Primary Examiner — Thomas Johannes
Assistant Examiner — Catherine Ho

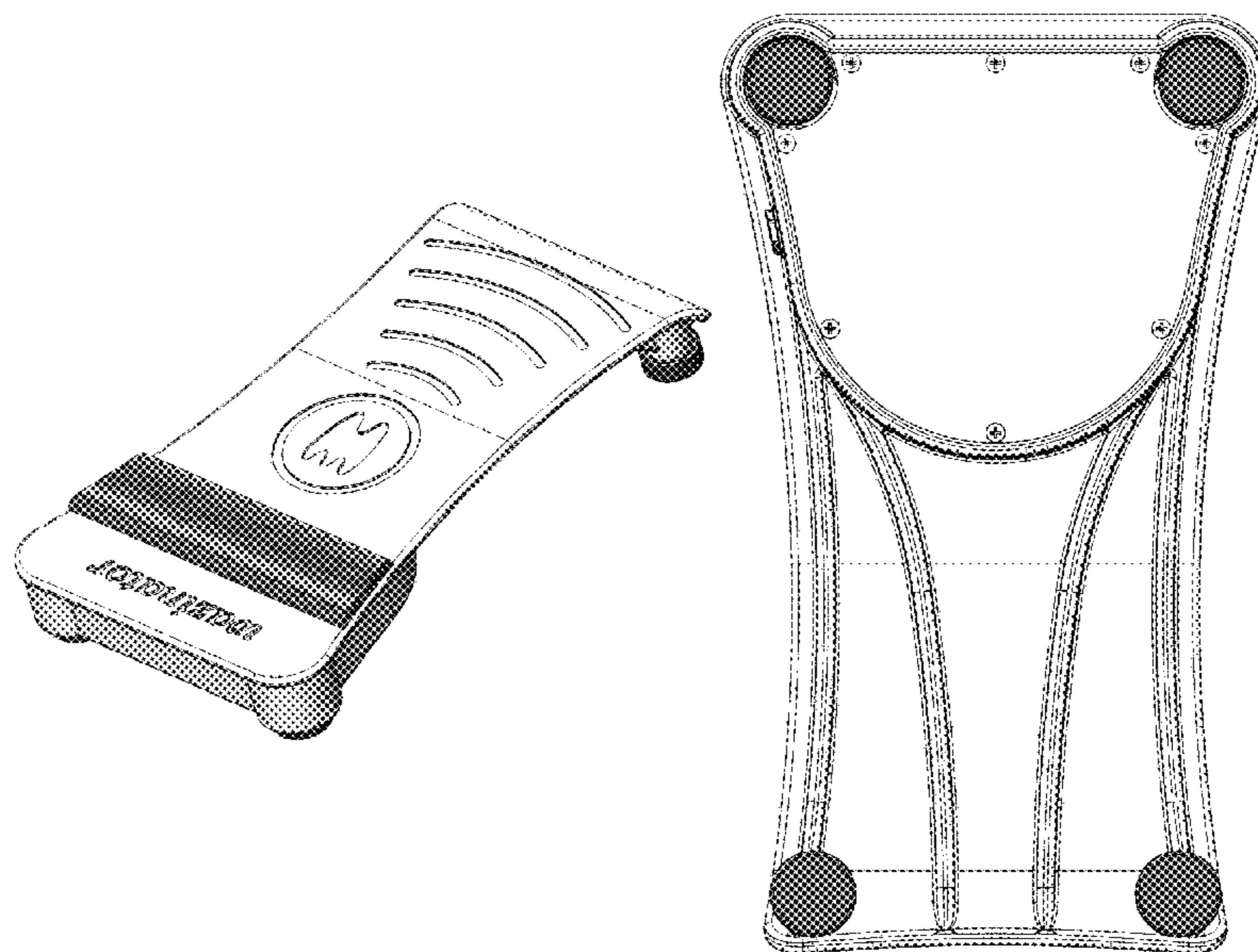
(57) **CLAIM**

The ornamental design for a musical instrument, as shown.

DESCRIPTION

FIG. 1 is a front perspective view of a musical instrument showing my new design;
FIG. 2 is a back perspective view thereof;
FIG. 3 is an underside perspective view thereof;
FIG. 4 is a bottom view thereof;
FIG. 5 is a side view thereof; and,
FIG. 6 is a top view thereof.

1 Claim, 6 Drawing Sheets



(56)

References Cited

OTHER PUBLICATIONS

Stomp Box Comparison Pepter Puck'n Stopma vs. Wazinator, posted at Youtube.com, posted on Aug. 3, 2014, [online], [site visited Nov. 7, 2016]. Available from Internet, <URL: <https://www.youtube.com/watch?v=xoER82eldlQ>>.*

Logjam Prolog, posted at Amazon.com, posted on Feb. 5, 2014, [online], [site visited Nov. 7, 2016]. Available from Internet, <URL: <https://www.amazon.com/Log-Jam-LJPL-Logjam-Prolog/dp/B00i9F0E22>>.*

Shadow SH-Stomp-Bass Stompin' Bass Bassdrum with Active NanoMAG Pickup, posted at Amazon.com, posted on Feb. 24, 2009, [online], [site visited Nov. 7, 2016]. Available from Internet, <URL: <https://www.amazon.com/Shadow-SH-STOMP-BASS-Stompin-Bassdrum-NanoMAG/dp/B001P3WV2>>.*

* cited by examiner

FIG. 1



FIG. 2

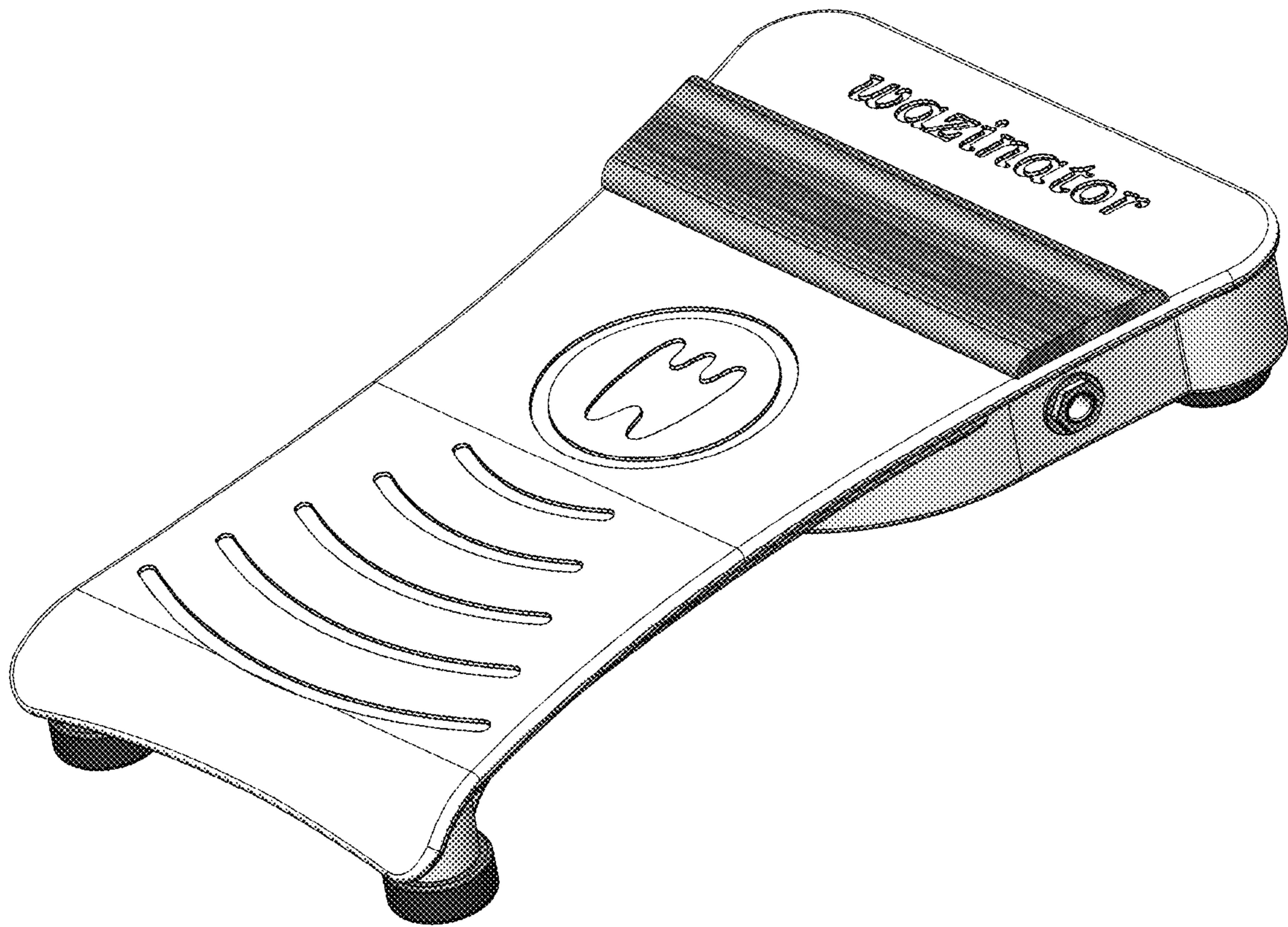


FIG. 3

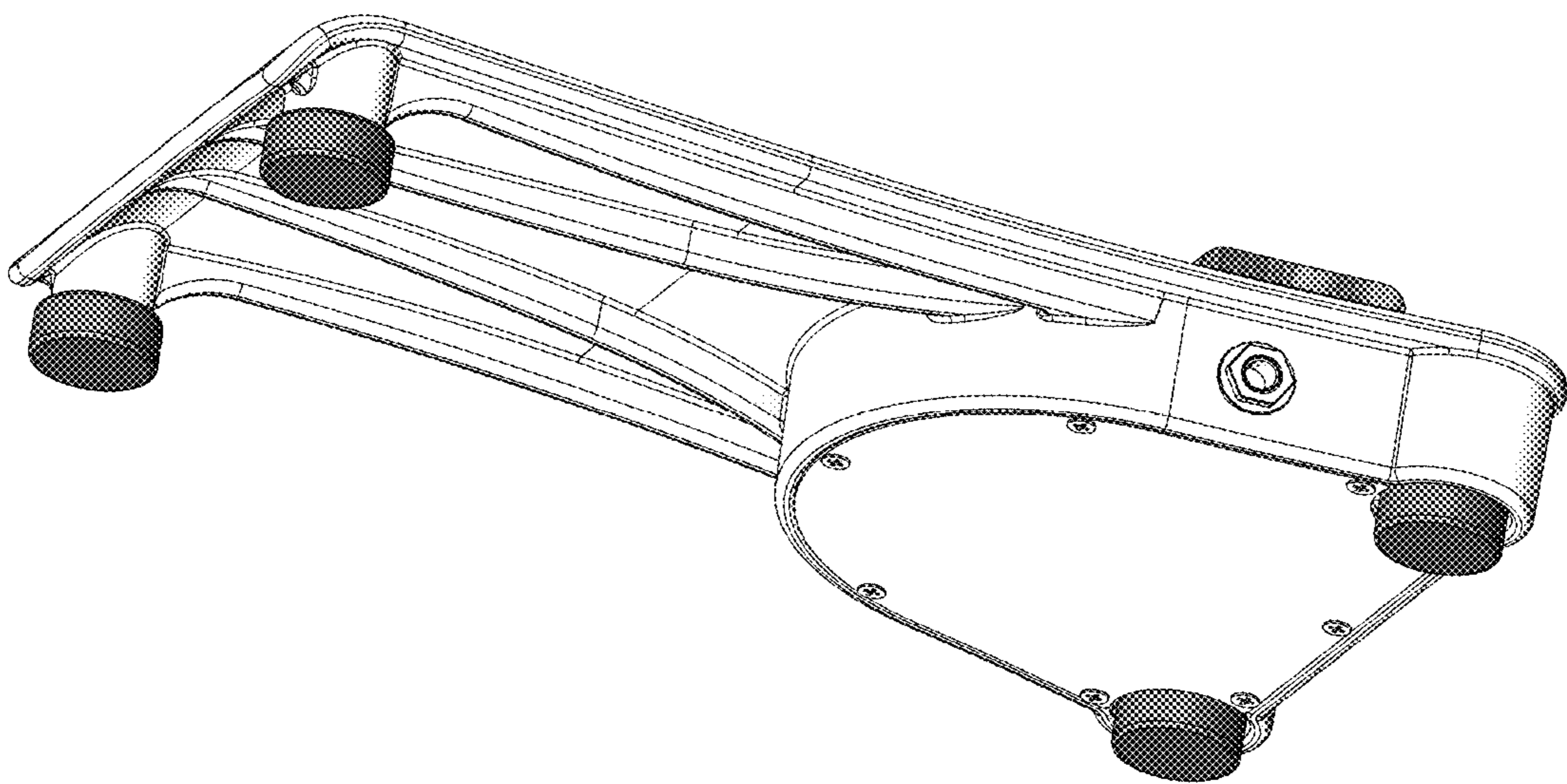


FIG. 4

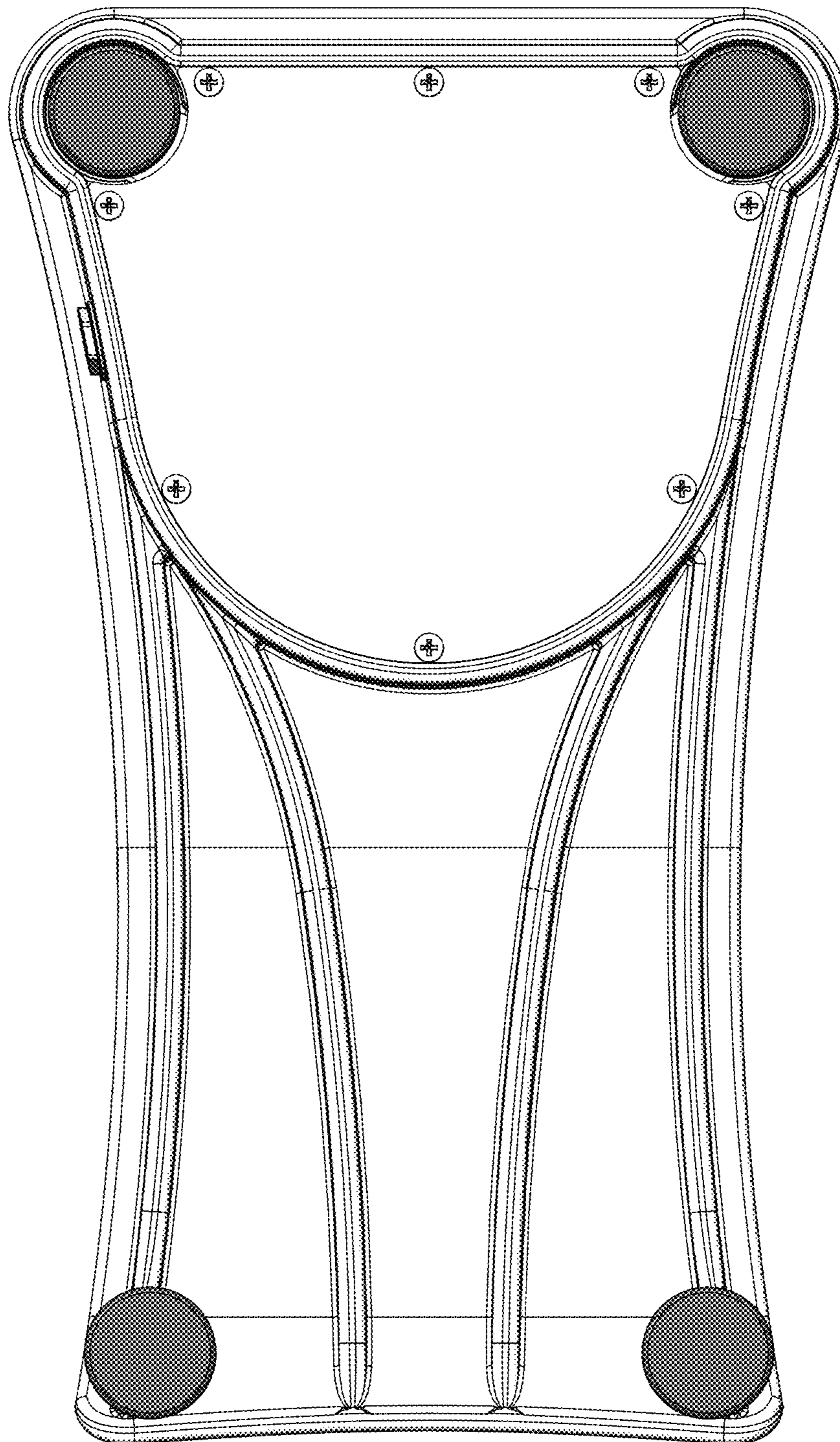


FIG. 5

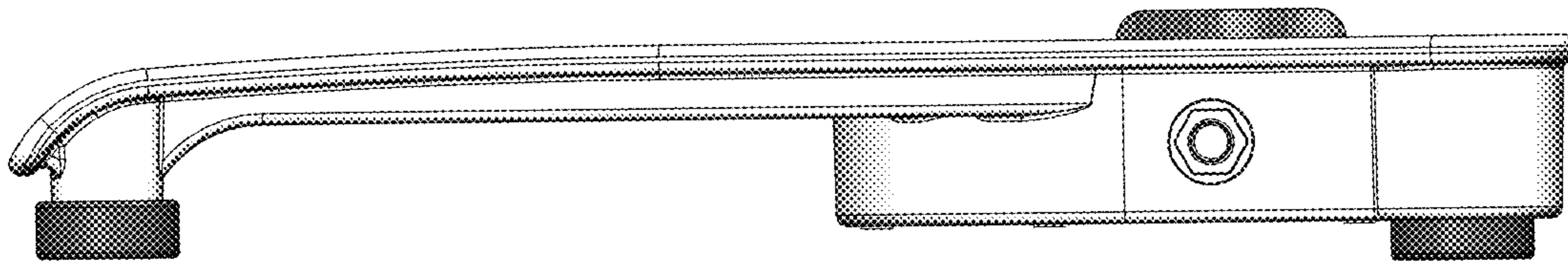


FIG. 6

