



US00D798943S

(12) **United States Design Patent** (10) **Patent No.:** **US D798,943 S**  
**Hu** (45) **Date of Patent:** **\*\* Oct. 3, 2017**

(54) **HANDLE WITH GIMBAL FOR CAMERA OR THE LIKE**

FOREIGN PATENT DOCUMENTS

(71) Applicant: **SZ DJI Osmo Technology Co., Ltd.**,  
Shenzhen (CN)

CN 150297 \* 3/2013  
EM 002037721-0001 \* 5/2012  
EM 003071521-0002 \* 4/2016

(72) Inventor: **Dengfeng Hu**, Shenzhen (CN)

OTHER PUBLICATIONS

(73) Assignee: **SZ DJI Osmo Technology Co., Ltd.**,  
Shenzhen (CN)

HJ-911 DSLR 3-axis Brushless Gimbal. [online] Published date unknown. Retrieved on Feb. 27, 2017 from <URL: <http://www.dx.com/p/hj-911-dslr-3-axis-brushless-gimbal-handheld-camera-gimbal-ptz-295759#.WLSgXv4zVmM>>.\*

(\*\*) Term: **15 Years**

\* cited by examiner

(21) Appl. No.: **29/561,497**

(22) Filed: **Apr. 15, 2016**

*Primary Examiner* — Vy Koenig

(51) **LOC (10) Cl.** ..... **16-05**

*Assistant Examiner* — Omeed Agilee

(52) **U.S. Cl.**  
USPC ..... **D16/243**

(74) *Attorney, Agent, or Firm* — Sterne, Kessler,  
Goldstein & Fox P.L.L.C.

(58) **Field of Classification Search**  
USPC ..... D16/134, 136, 210–219, 235, 237–245,  
D16/250  
CPC ..... G03B 17/02; G03B 17/04; G03B 17/14;  
G03B 17/56; G03B 17/561–17/568;  
G03B 7/00–7/002; G03B 7/02–7/04;  
G03B 7/14; G03B 21/20–21/2066; F16M  
11/02; F16M 11/04; F16M 11/20; F16M  
11/40

See application file for complete search history.

(57) **CLAIM**

The ornamental design for a handle with gimbal for camera or the like, as shown and described.

**DESCRIPTION**

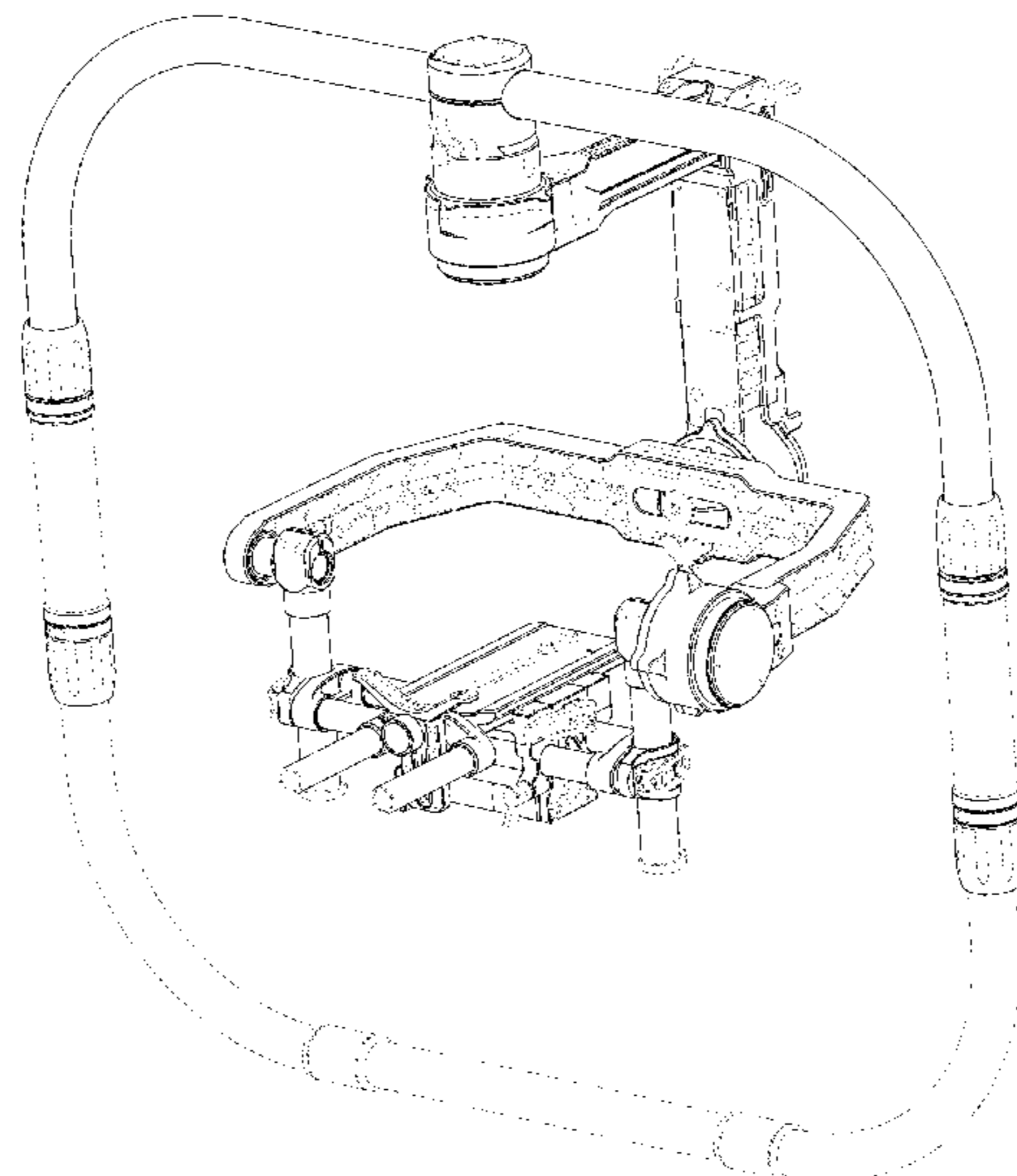
FIG. 1 is a top front perspective view of a handle with gimbal for camera or the like showing the claimed design; FIG. 2 is a bottom rear perspective view thereof; FIG. 3 is a front view thereof; FIG. 4 is a rear view thereof; FIG. 5 is a left side view thereof; FIG. 6 is a right side view thereof; FIG. 7 is a top view thereof; and, FIG. 8 is a bottom view thereof. The broken lines in the figures show portions of the handle and gimbal that form no part of the claimed design. The shade lines in the figures show contour and not surface ornamentation.

(56) **References Cited**

U.S. PATENT DOCUMENTS

D714,377 S \* 9/2014 Yamauchi ..... D16/242  
D732,103 S \* 6/2015 Roper ..... D16/243  
D744,580 S \* 12/2015 Firchau ..... D16/242  
D751,625 S \* 3/2016 Vesper ..... D16/242  
D760,830 S \* 7/2016 Deluco ..... D16/235  
2009/0321593 A1 \* 12/2009 Foddis ..... F16M 11/16  
248/187.1  
2014/0099092 A1 \* 4/2014 Di Leo ..... G03B 17/563  
396/420  
2015/0131984 A1 \* 5/2015 Pizzo ..... G03B 17/00  
396/420

**1 Claim, 7 Drawing Sheets**



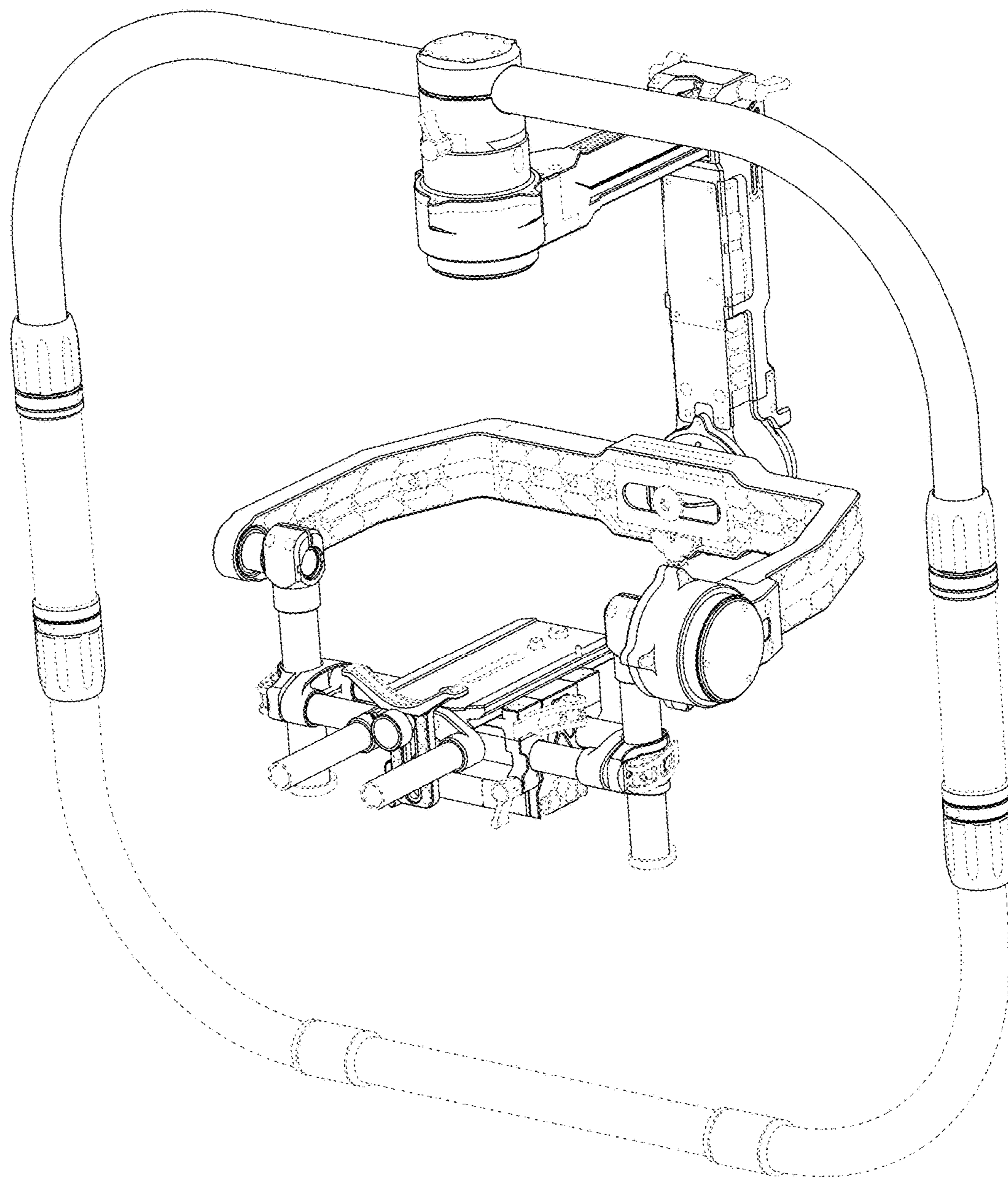


FIG. 1

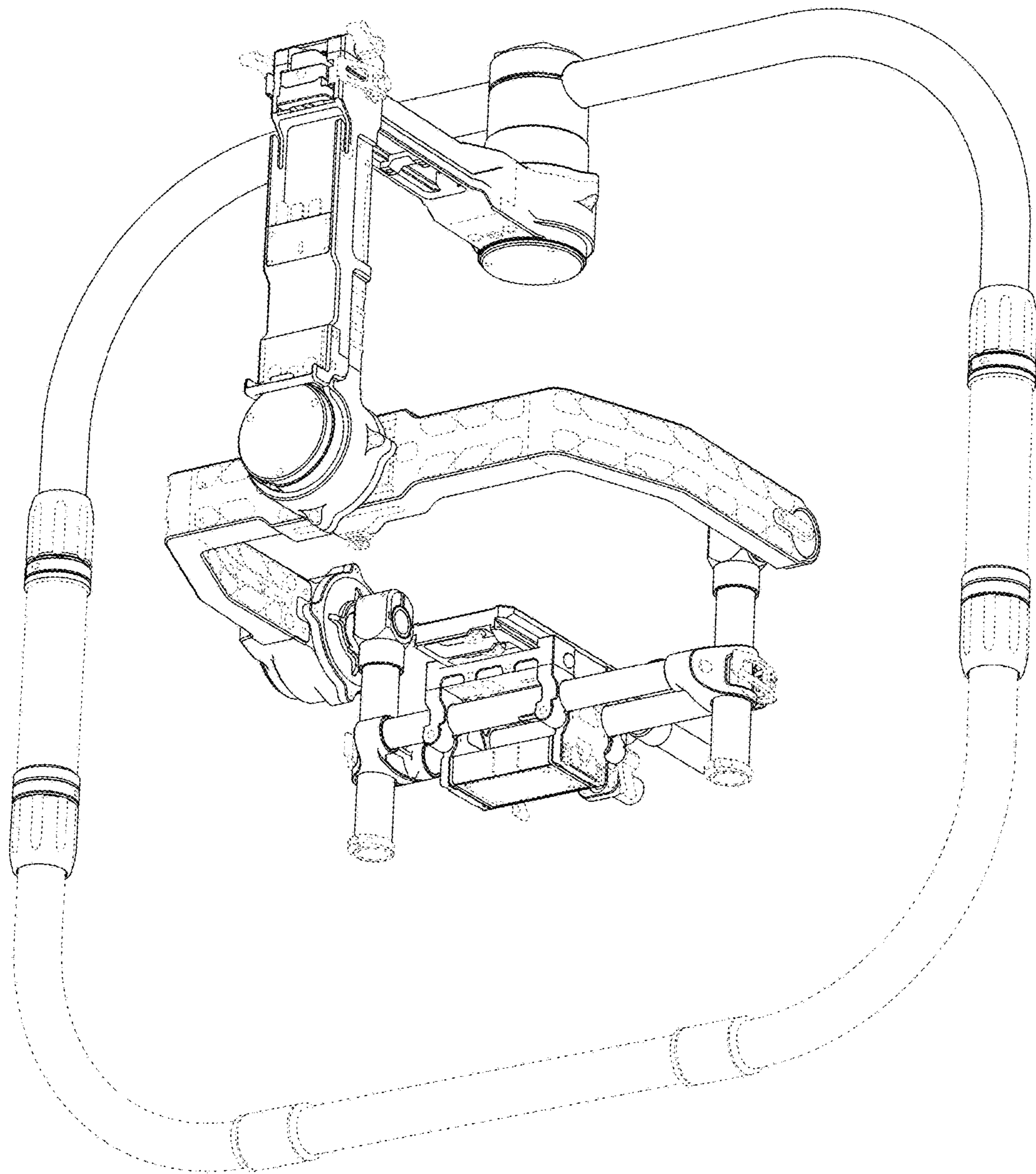


FIG. 2

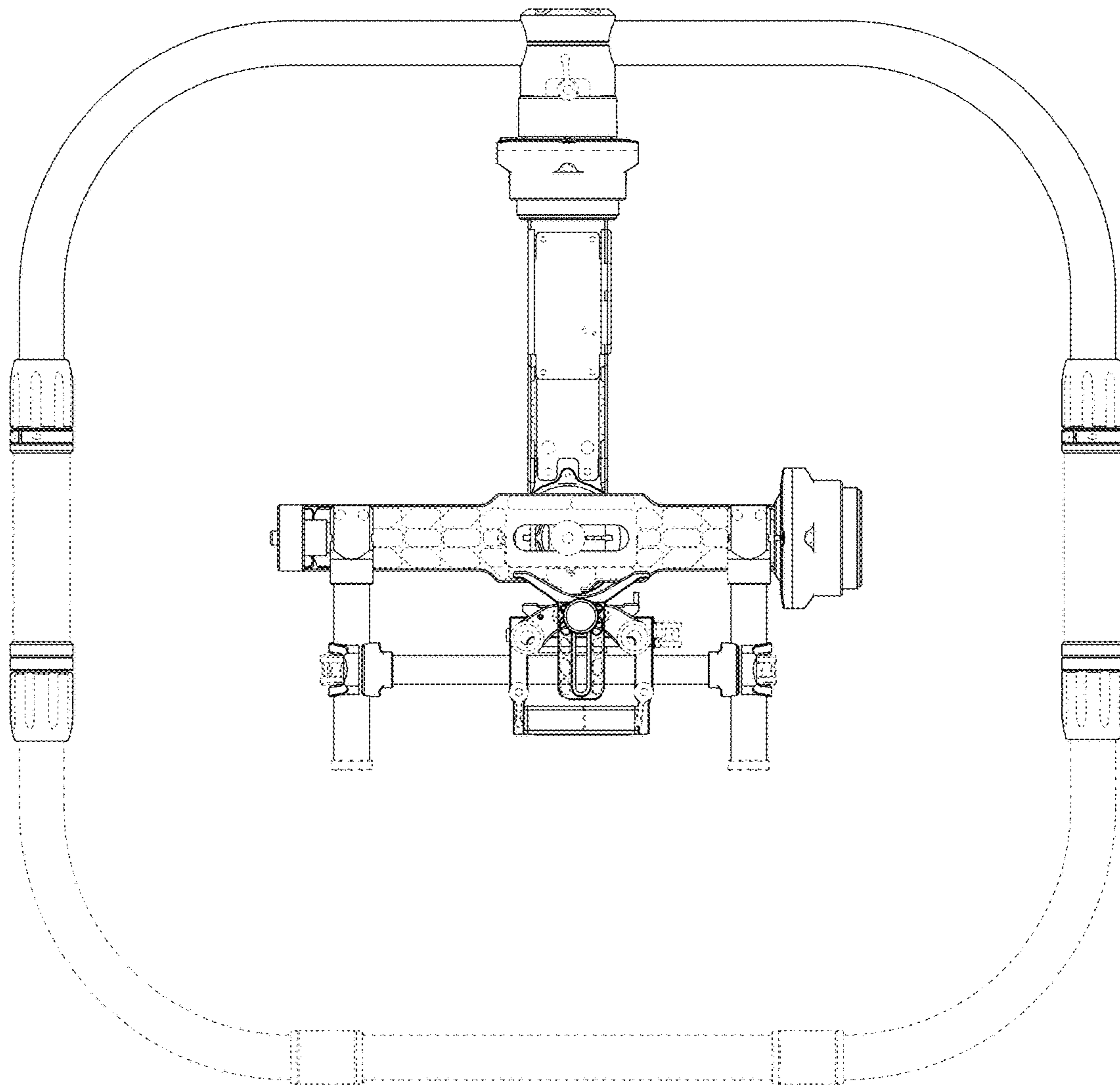


FIG. 3

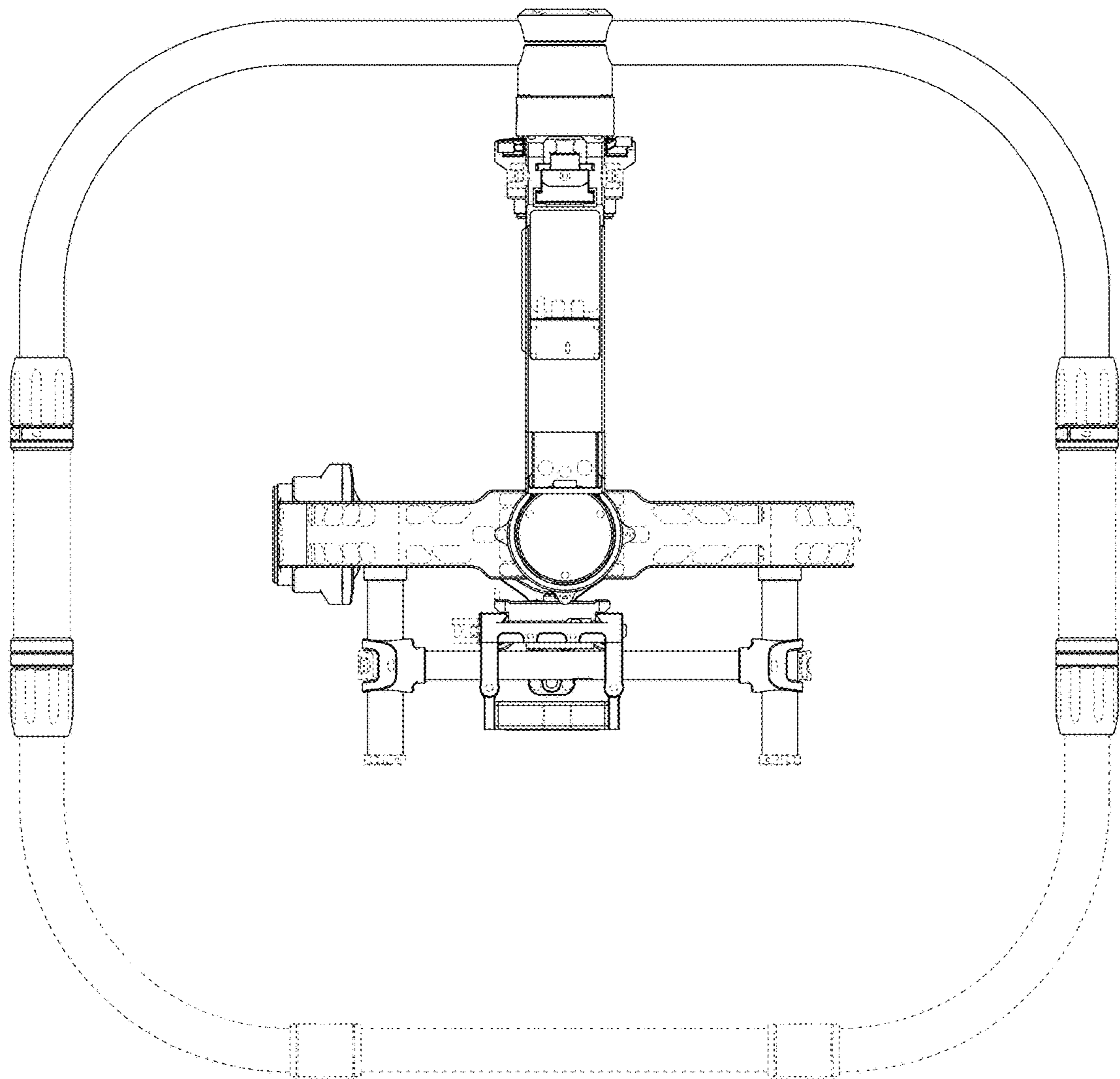


FIG. 4

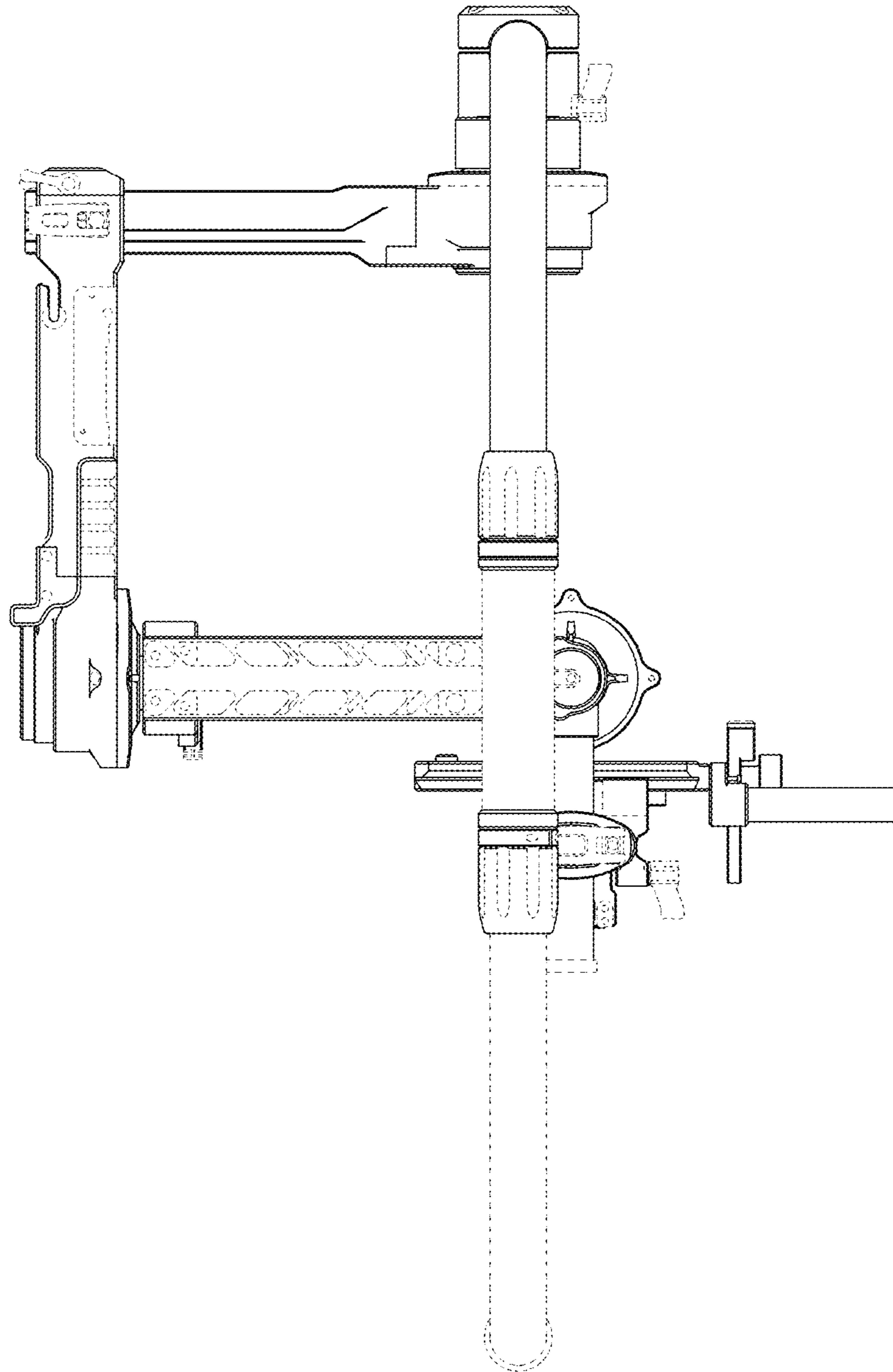


FIG. 5

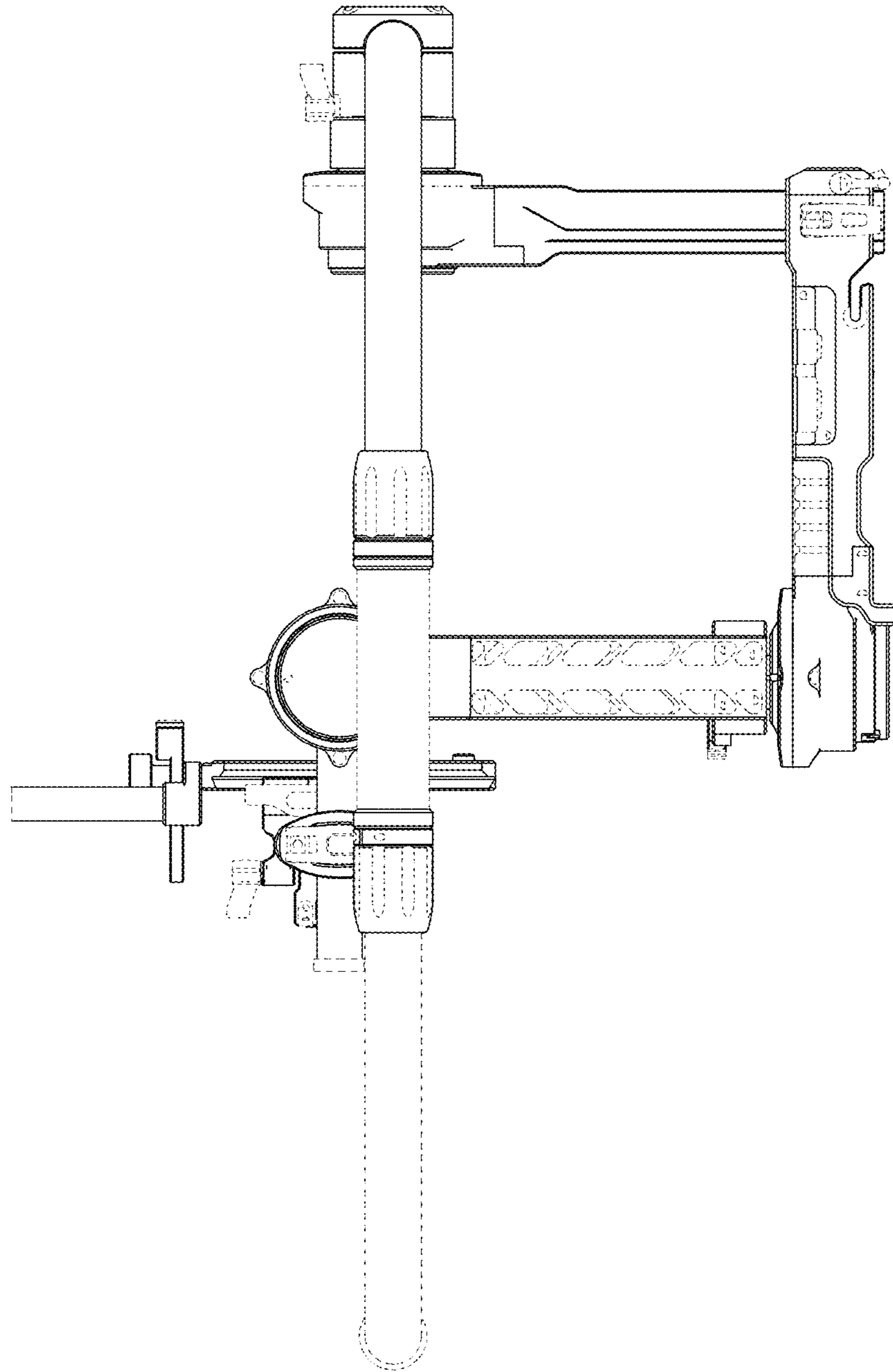


FIG. 6

