



US00D798939S

(12) **United States Design Patent** (10) **Patent No.:** **US D798,939 S**
Costa et al. (45) **Date of Patent:** **** Oct. 3, 2017**

(54) **CAMERA POLE MOUNT**
(71) Applicant: **GoPro, Inc.**, San Mateo, CA (US)
(72) Inventors: **Mark E. Costa**, Menlo Park, CA (US); **Arthur Kwun**, Newark, CA (US); **Huy Phuong Nguyen**, San Mateo, CA (US); **Eric McCallister Bennett**, Foster City, CA (US); **Joshua Todd Druker**, Redwood City, CA (US); **Christopher Aaron Clearman**, Half Moon Bay, CA (US)

D450,233 S * 11/2001 Ward D8/373
D625,970 S * 10/2010 Tinius D8/1
D665,006 S * 8/2012 Green D16/242
9,161,110 B1 * 10/2015 Patsis B62J 11/00
D764,567 S * 8/2016 Bennett D16/242
2011/0061286 A1 * 3/2011 Wang F41G 11/003
42/125
2014/0356048 A1 * 12/2014 Chou F16M 11/10
403/57
2015/0108306 A1 * 4/2015 Chuang F16M 11/14
248/231.51
2015/0286115 A1 * 10/2015 Koch B62J 11/00
248/615

(Continued)

(73) Assignee: **GoPro, Inc.**, San Mateo, CA (US)
(**) Term: **15 Years**
(21) Appl. No.: **29/552,561**
(22) Filed: **Jan. 22, 2016**
(51) **LOC (10) Cl.** **16-05**
(52) **U.S. Cl.**
USPC **D16/242**
(58) **Field of Classification Search**
USPC D16/206, 219, 235, 237-250; D14/224,
D14/229, 238, 251, 447, 451, 457;
D8/354, 355, 363, 367-371, 373,
D8/382-383, 394-396
CPC G03B 17/56; G03B 17/561-17/568; G02B
7/00-7/002; H04N 5/2253-5/2254; F16M
11/04-11/12; A45F 5/00; A45F 5/10;
A45F 2200/0508-2200/0533
See application file for complete search history.

OTHER PUBLICATIONS

Handlebar / Seatpost / Pole Mount. [online] Retrieved May 16, 2017
from URL: <<http://shop.gopro.com/mounts/handlebarseatpostpolemount/AGTSM001.html>>.*

(Continued)

Primary Examiner — Vy Koenig
(74) *Attorney, Agent, or Firm* — Fenwick & West LLP

(57) **CLAIM**

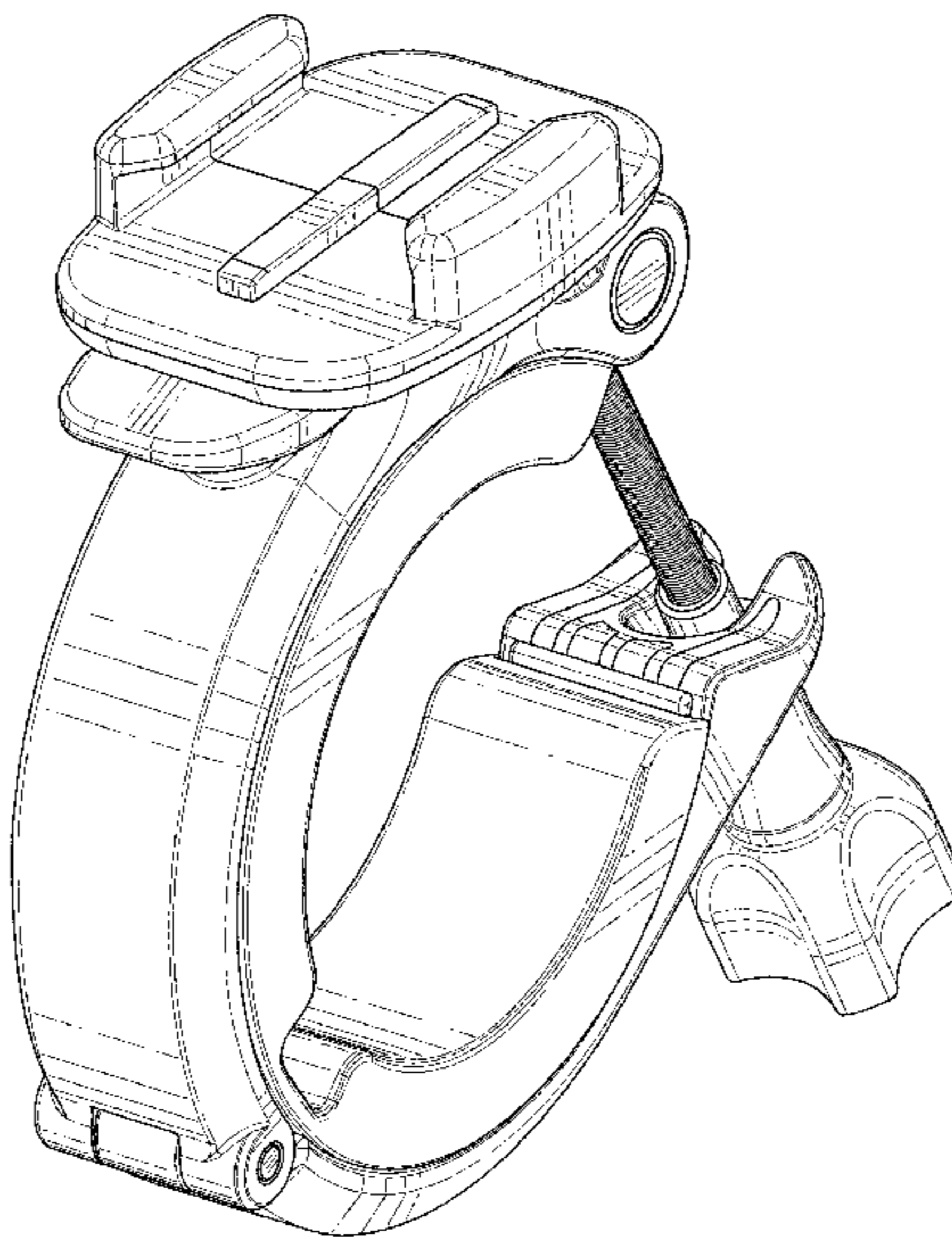
The ornamental design for a camera pole mount, as shown and described.

DESCRIPTION

FIG. 1 is a front, right, and top perspective view of a camera pole mount;
FIG. 2 is a rear, left, and bottom perspective view thereof;
FIG. 3 is a right elevational view thereof;
FIG. 4 is a left elevational view thereof;
FIG. 5 is a front elevational view thereof;
FIG. 6 is a rear elevational view thereof;
FIG. 7 is a top view thereof; and,
FIG. 8 is a bottom view thereof.

1 Claim, 8 Drawing Sheets

(56) **References Cited**
U.S. PATENT DOCUMENTS
D162,989 S * 4/1951 Rizzatti D16/239
5,735,441 A * 4/1998 Fujimoto B62J 11/00
224/420
6,293,449 B1 * 9/2001 McGuire B62J 11/00
224/420



(56)

References Cited

U.S. PATENT DOCUMENTS

2016/0355205 A1* 12/2016 Upton B62B 5/00
2016/0362066 A1* 12/2016 Lee B60R 11/02

OTHER PUBLICATIONS

USA Gear Roll and Handlebar Action Camera Mount with Tripod Screw and Action Style Mounting. [online] Retrieved May 16, 2017 from URL: <https://www.amazon.com/USA%C2%ADHandlebar%C2%ADAction%C2%ADCamera%C2%ADMounting/dp/B00PH0E7RK/ref=sr_1_8?s=electronics&ie=UTF&qid=1494940951&sr=1%C2%AD8&keywor%E2%80%A6>.*
Pro Handlebar / Seatpost / Pole Mount. [online] Retrieved May 16, 2017 from URL: <<http://shop.gopro.com/mounts/pro-handlebar-seatpost-pole-mount/AMHSM-001.html>>.*

* cited by examiner

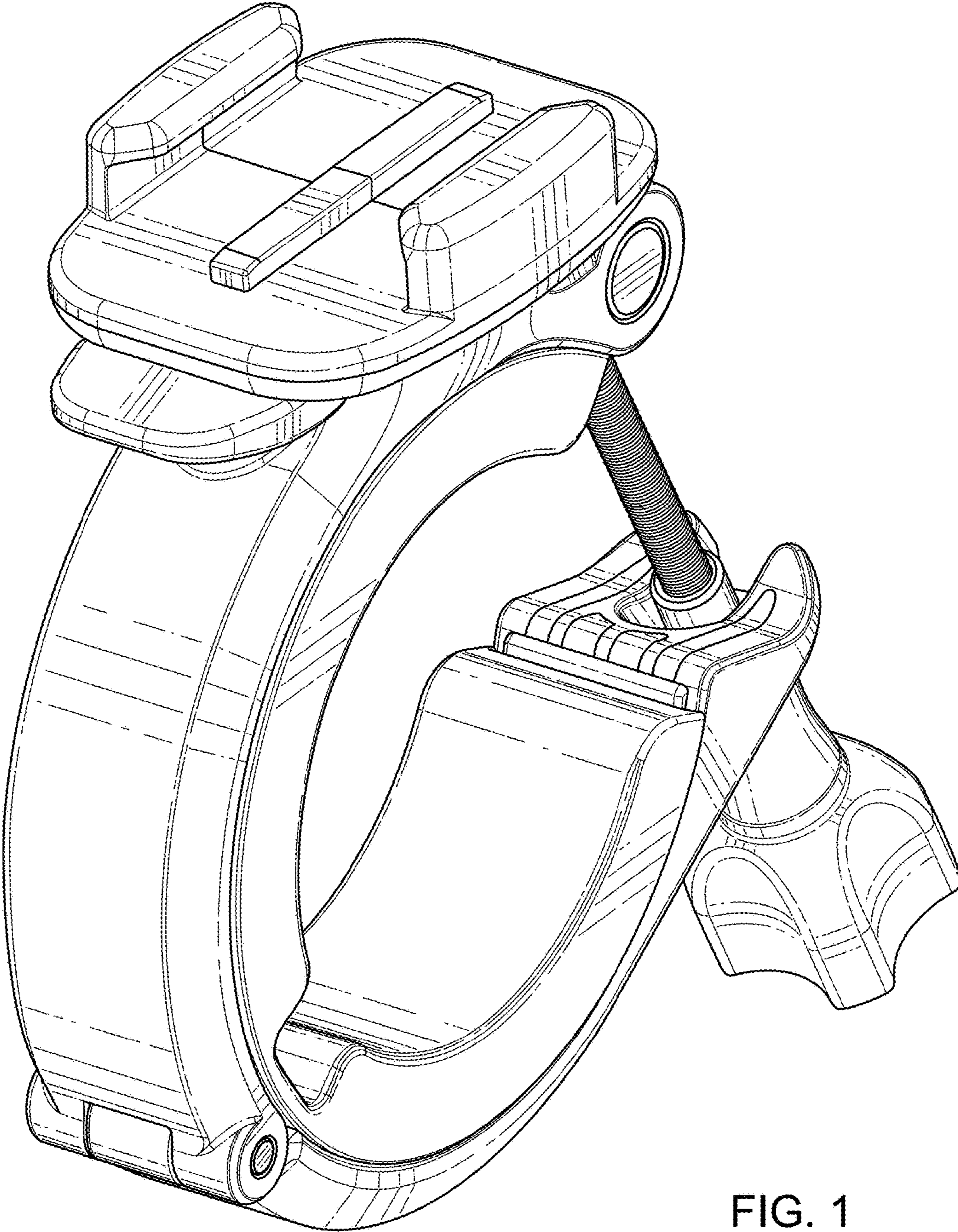


FIG. 1

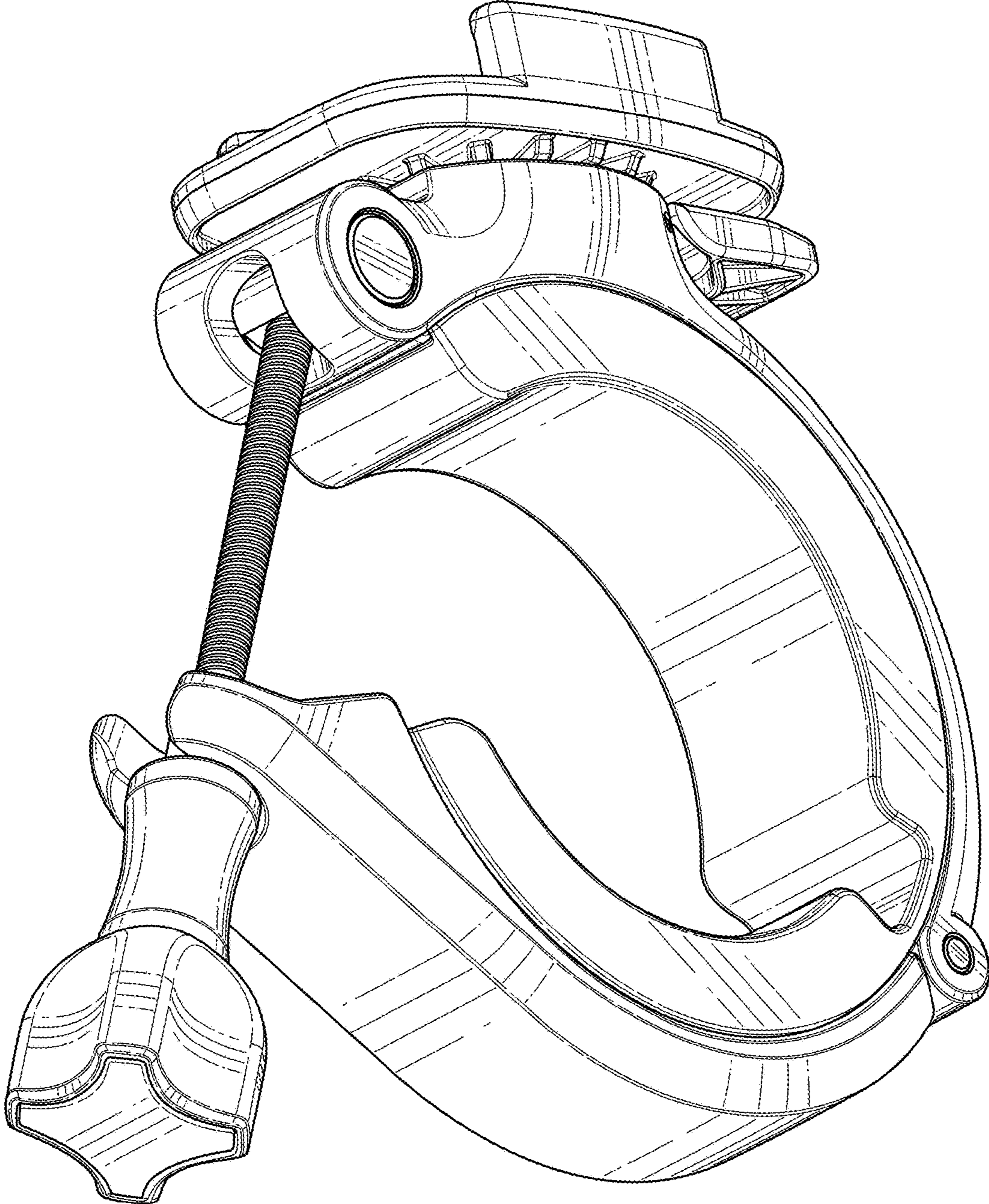


FIG. 2

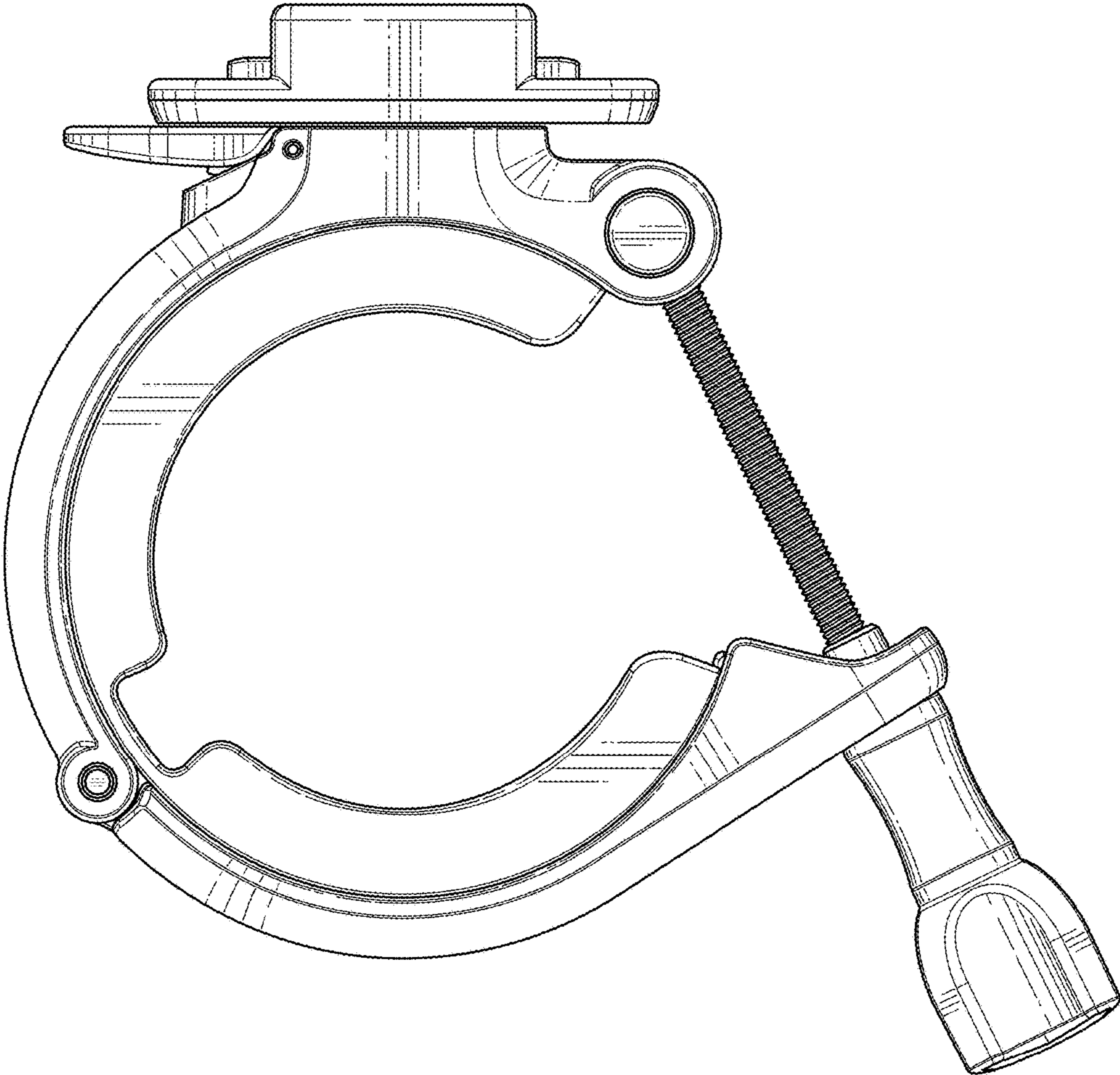


FIG. 3

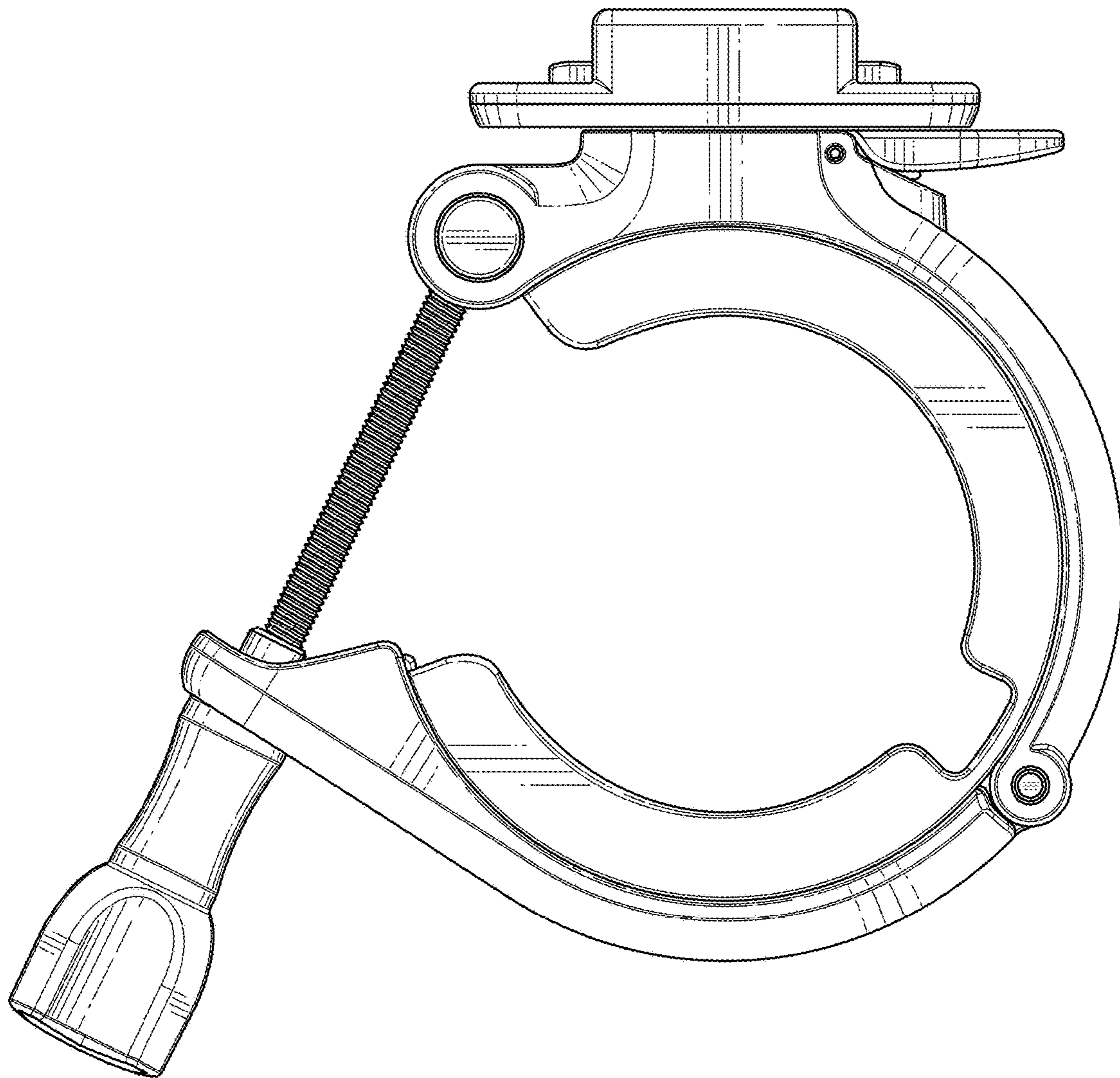


FIG. 4

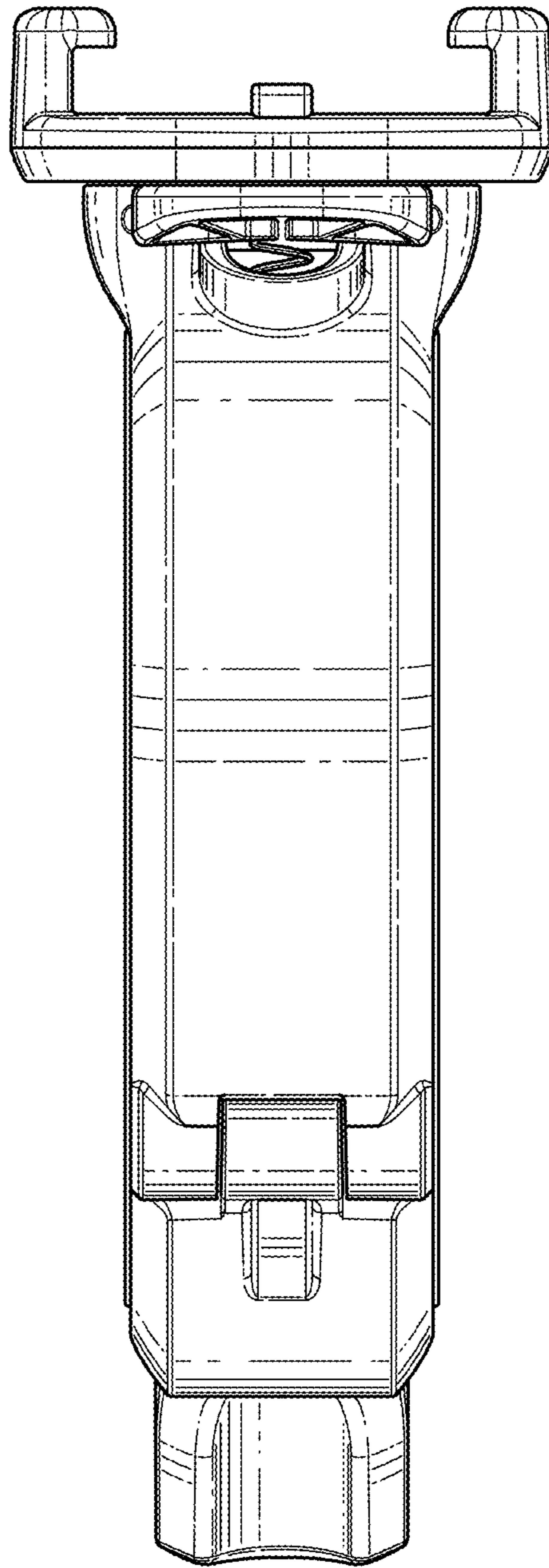


FIG. 5

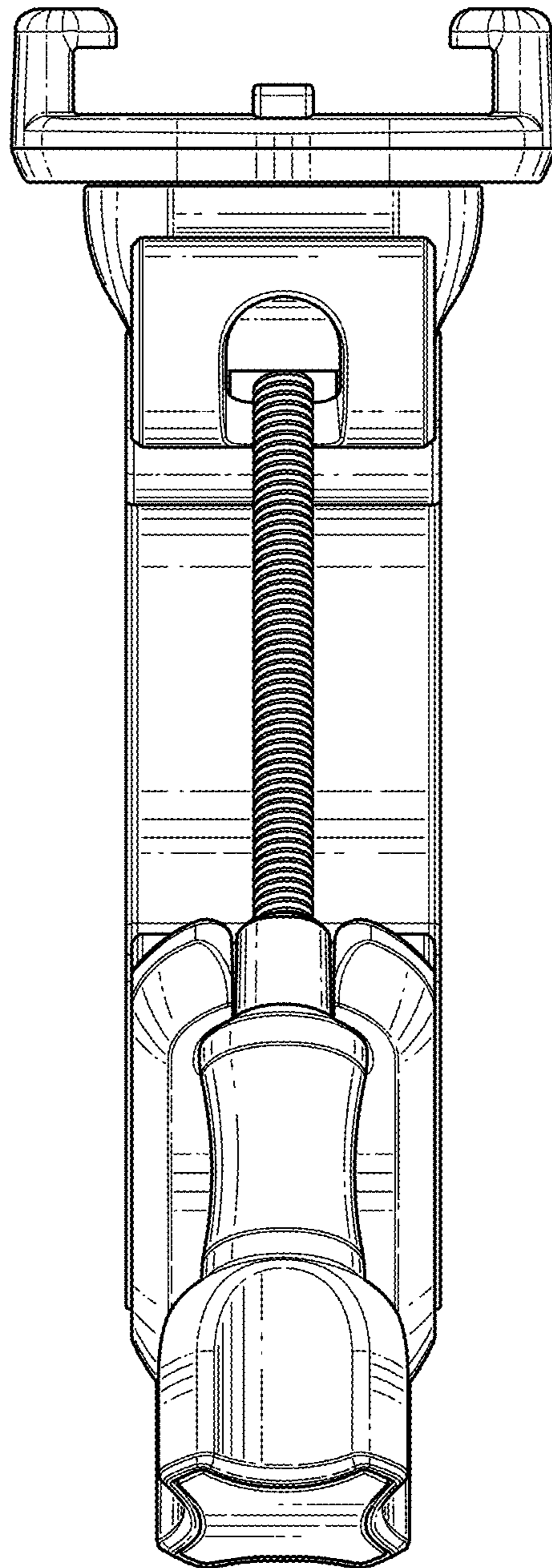


FIG. 6

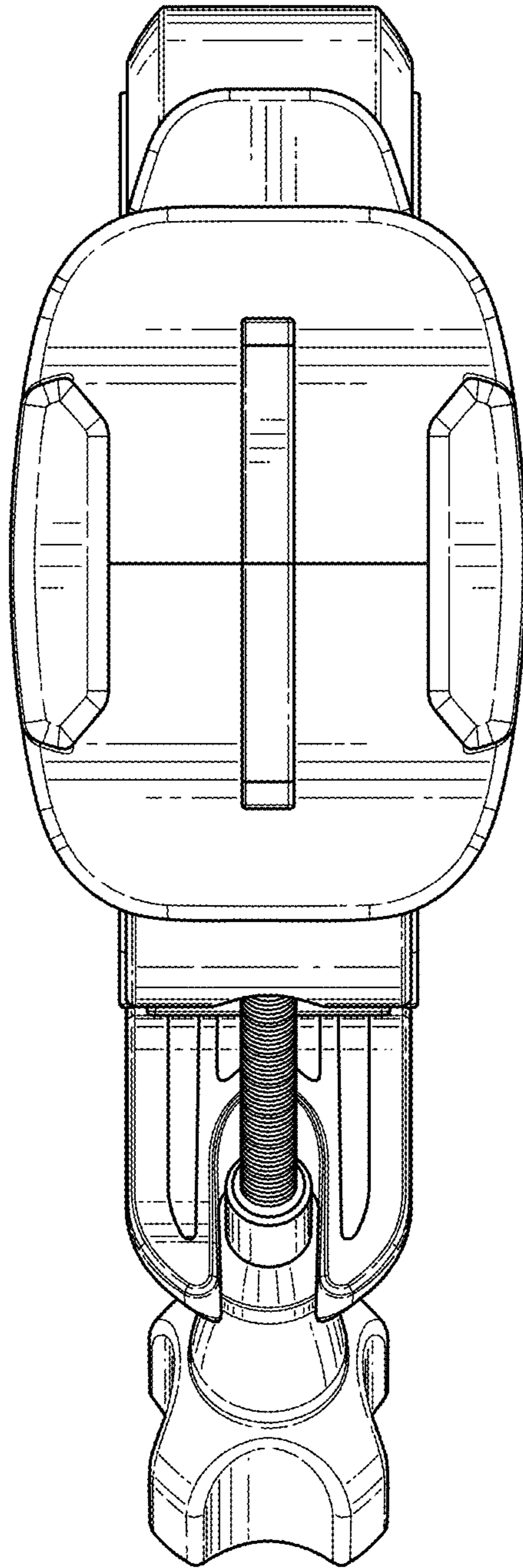


FIG. 7

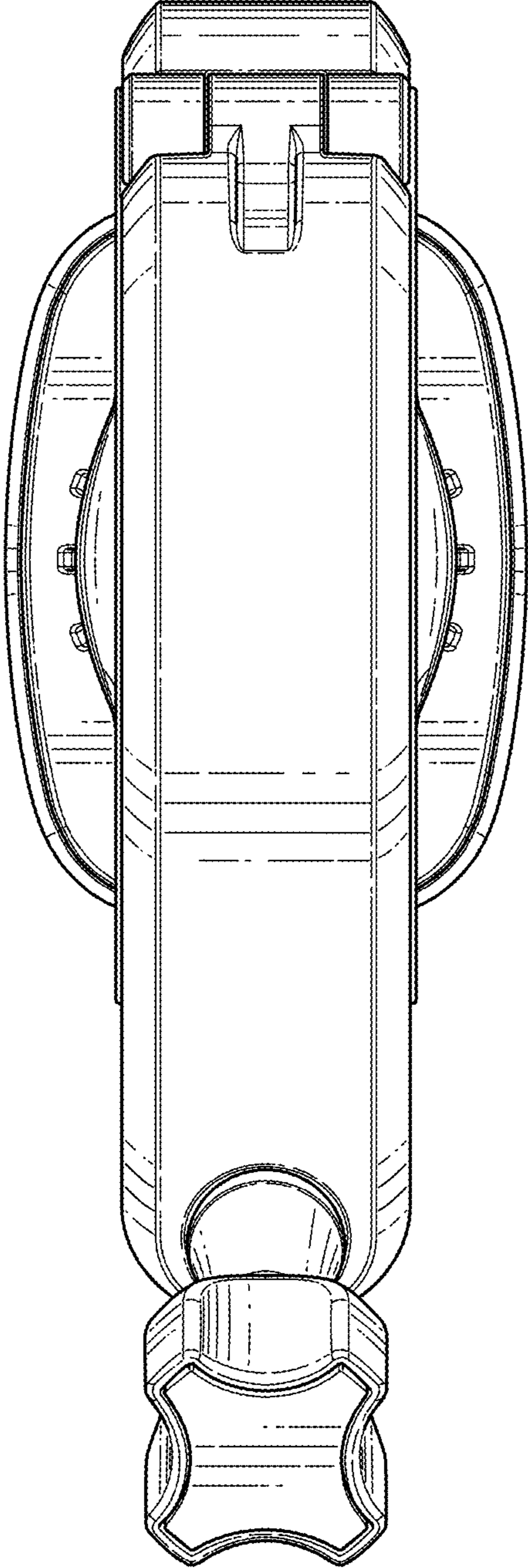


FIG. 8