

US00D798938S

(12) **United States Design Patent** (10) **Patent No.:** **US D798,938 S**  
**Zheng et al.** (45) **Date of Patent:** **\*\* Oct. 3, 2017**

(54) **MOUNT FOR CONTROLLER OR THE LIKE**

D764,567 S \* 8/2016 Bennett ..... D16/242  
D772,970 S \* 11/2016 Balmer ..... D12/114  
D777,289 S \* 1/2017 Cheng ..... D22/109

(71) Applicant: **SZ DJI Osmo Technology Co., Ltd.**,  
Shenzhen (CN)

(72) Inventors: **Haibin Zheng**, Shenzhen (CN); **Min Kim**, Shenzhen (CN)

(73) Assignee: **SZ DJI Osmo Technology Co., Ltd.**,  
Shenzhen (CN)

(\*\*) Term: **15 Years**

(21) Appl. No.: **29/561,501**

(22) Filed: **Apr. 15, 2016**

(51) **LOC (10) Cl.** ..... **16-05**

(52) **U.S. Cl.**  
USPC ..... **D16/237**

(58) **Field of Classification Search**  
USPC ..... D16/134, 136, 210–219, 235, 237–245,  
D16/250; D14/217, 229, 250–253  
CPC ..... G03B 17/02; G03B 17/04; G03B 17/14;  
G03B 17/56; G03B 17/561–17/568;  
G03B 7/00–7/002; G03B 7/02–7/04;  
G03B 7/14; G03B 21/20–21/2066; F16M  
11/02; F16M 11/04; F16M 11/20; F16M  
11/40

See application file for complete search history.

(56) **References Cited**

**U.S. PATENT DOCUMENTS**

D623,682 S \* 9/2010 Volpato ..... D16/242  
D638,089 S \* 5/2011 Ding ..... D22/109  
D685,052 S \* 6/2013 Mok ..... D22/109  
D691,237 S \* 10/2013 Beckett ..... D22/109  
D693,423 S \* 11/2013 Beckett ..... D22/108  
D717,856 S \* 11/2014 Slawson ..... D16/237  
D755,342 S \* 5/2016 Ding ..... D22/109  
D757,147 S \* 5/2016 Edwards ..... D16/208

**OTHER PUBLICATIONS**

DJI Focus. 1 page. [online] Published date unknown. Retrieved on Mar. 22, 2017 from <URL: <http://www.dji.com/focus>>.\*  
Wireless Thumb Controller for Ronin-M & Ronin-MX. [online] published date unknown. Retrieved on Apr. 10, 2017 from <URL: <http://store.dji.com/product/wireless-thumb-controller-for-ronin-m>>.\*

\* cited by examiner

*Primary Examiner* — Vy Koenig

*Assistant Examiner* — Omeed Agilee

(74) *Attorney, Agent, or Firm* — Sterne, Kessler,  
Goldstein & Fox P.L.L.C.

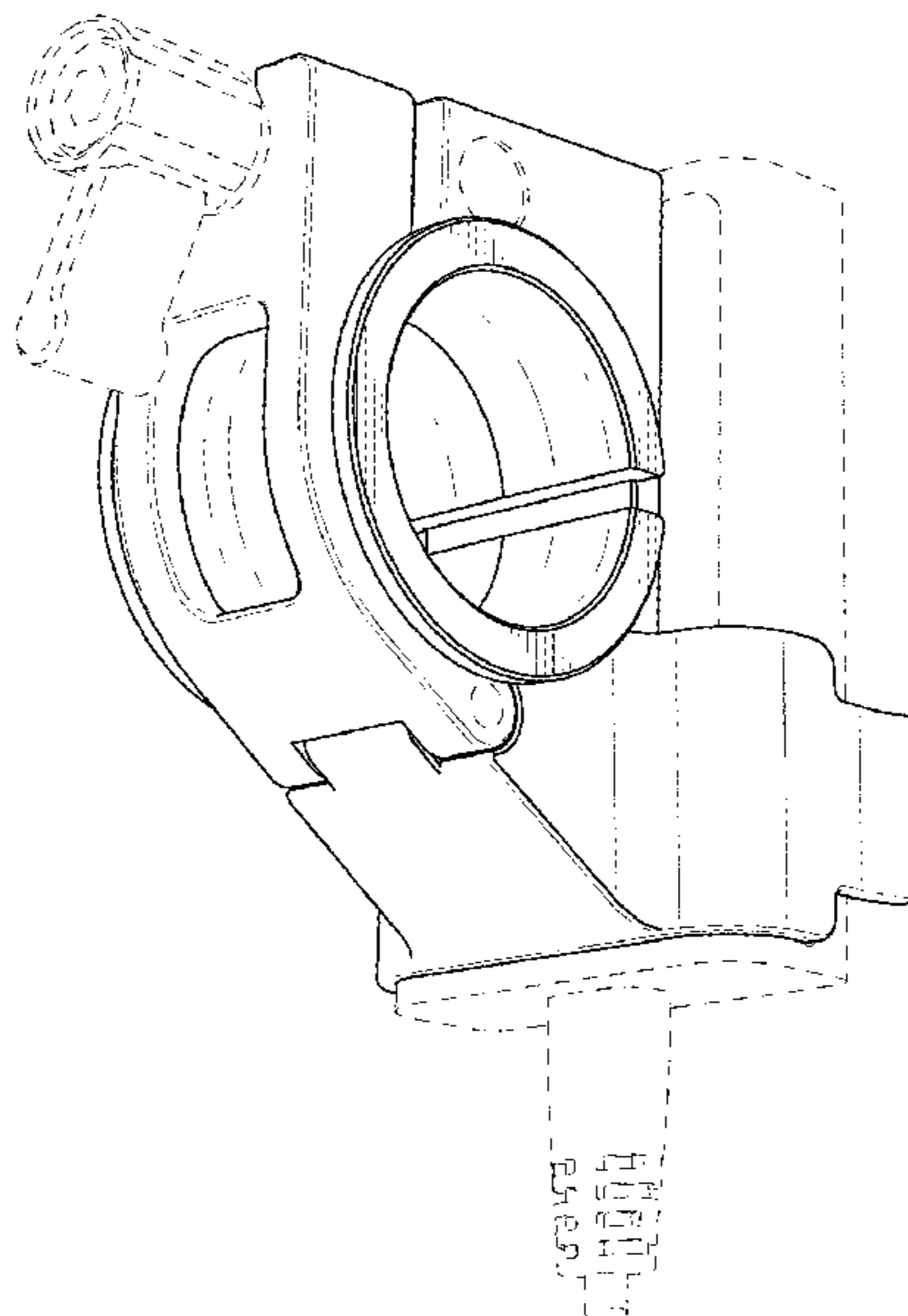
(57) **CLAIM**

The ornamental design for a mount for controller or the like, as shown and described.

**DESCRIPTION**

FIG. 1 is a bottom rear perspective view of a mount for controller or the like showing the claimed design;  
FIG. 2 is a top front perspective view thereof;  
FIG. 3 is a top view thereof;  
FIG. 4 is a bottom view thereof;  
FIG. 5 is a left side view thereof;  
FIG. 6 is a right side view thereof;  
FIG. 7 is a front view thereof; and,  
FIG. 8 is a rear view thereof.  
The broken lines in the figures show portions of the mount for controller or the like that form no part of the claimed design.

**1 Claim, 5 Drawing Sheets**



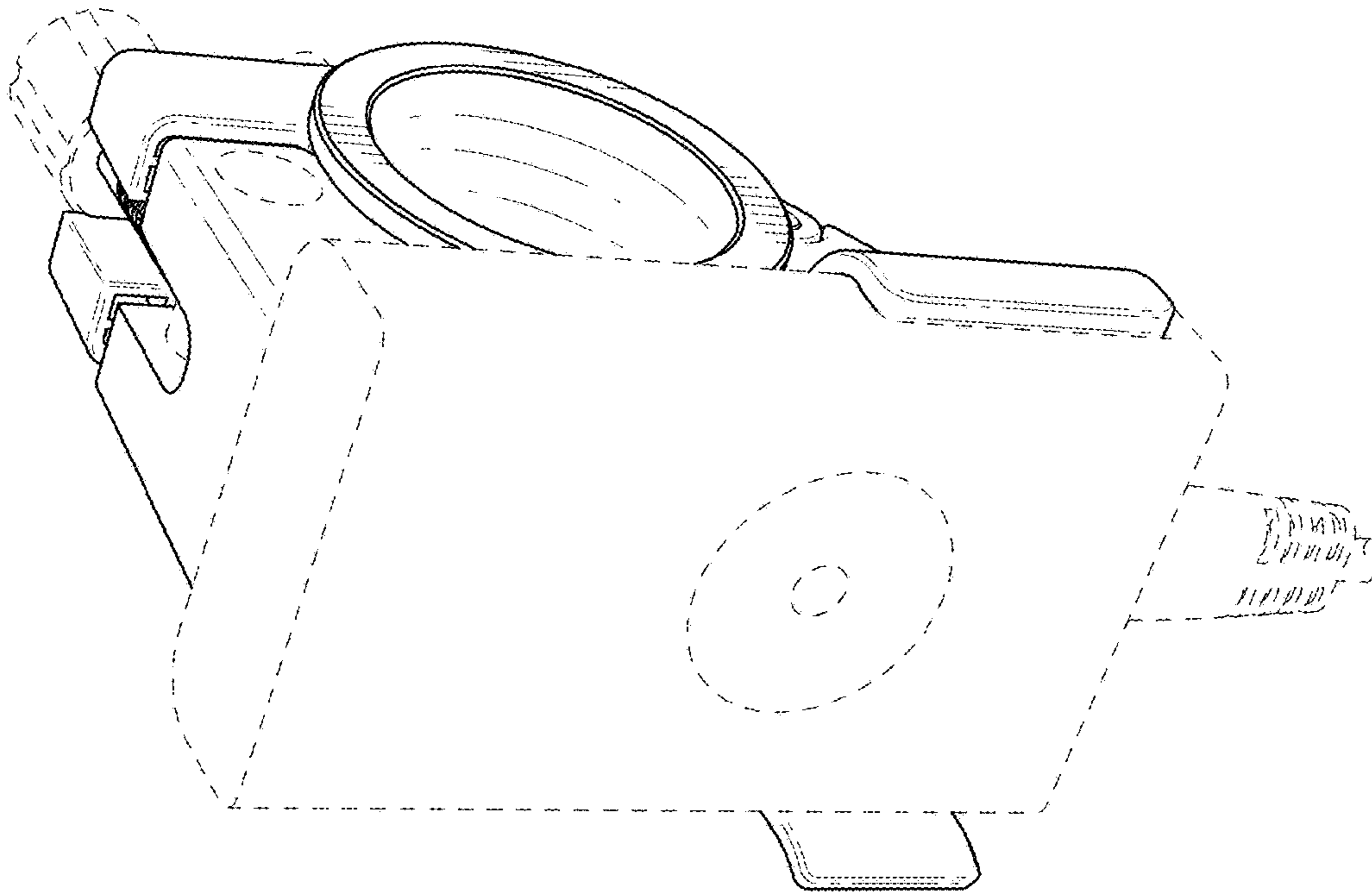


FIG. 2

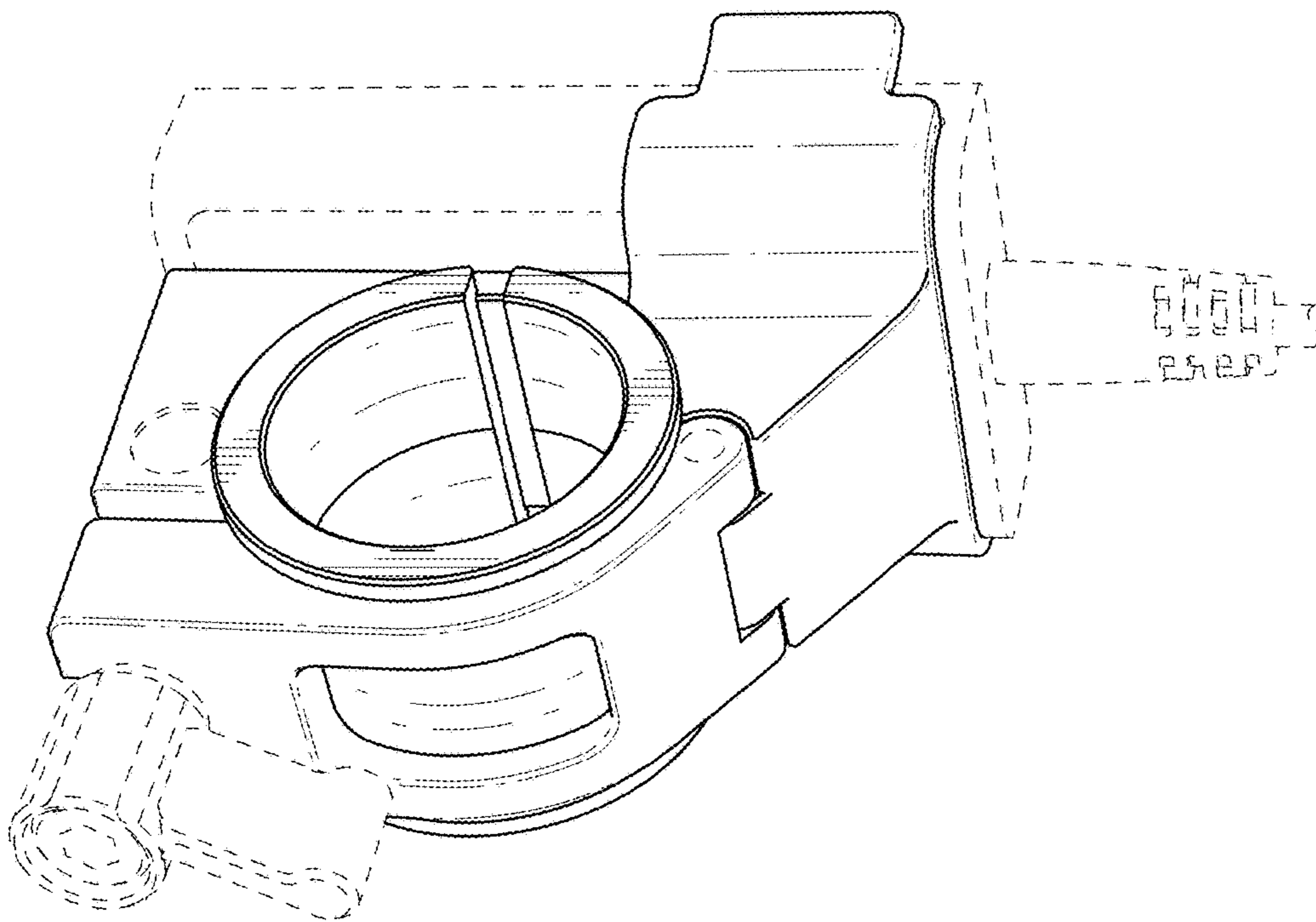


FIG. 1

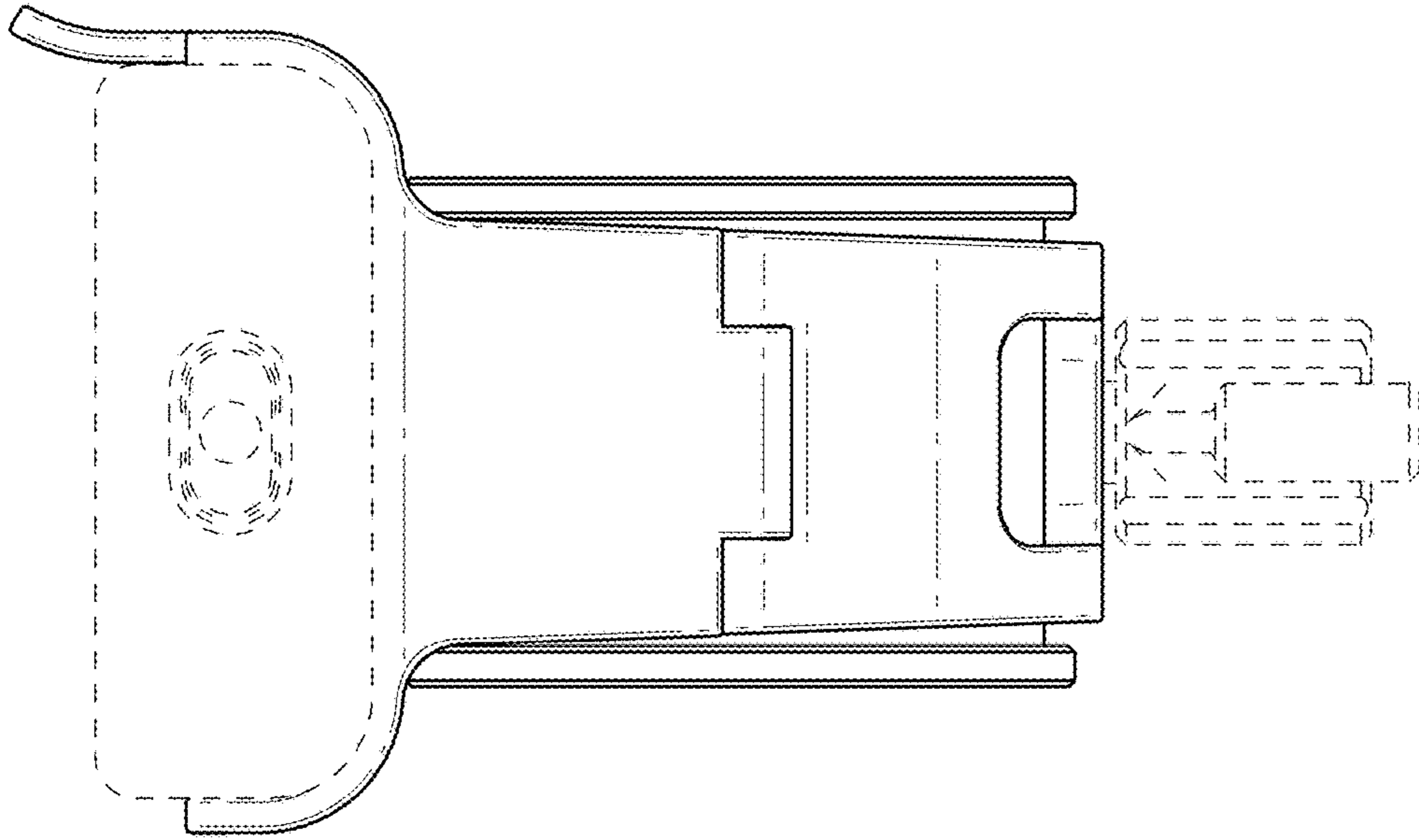


FIG. 4

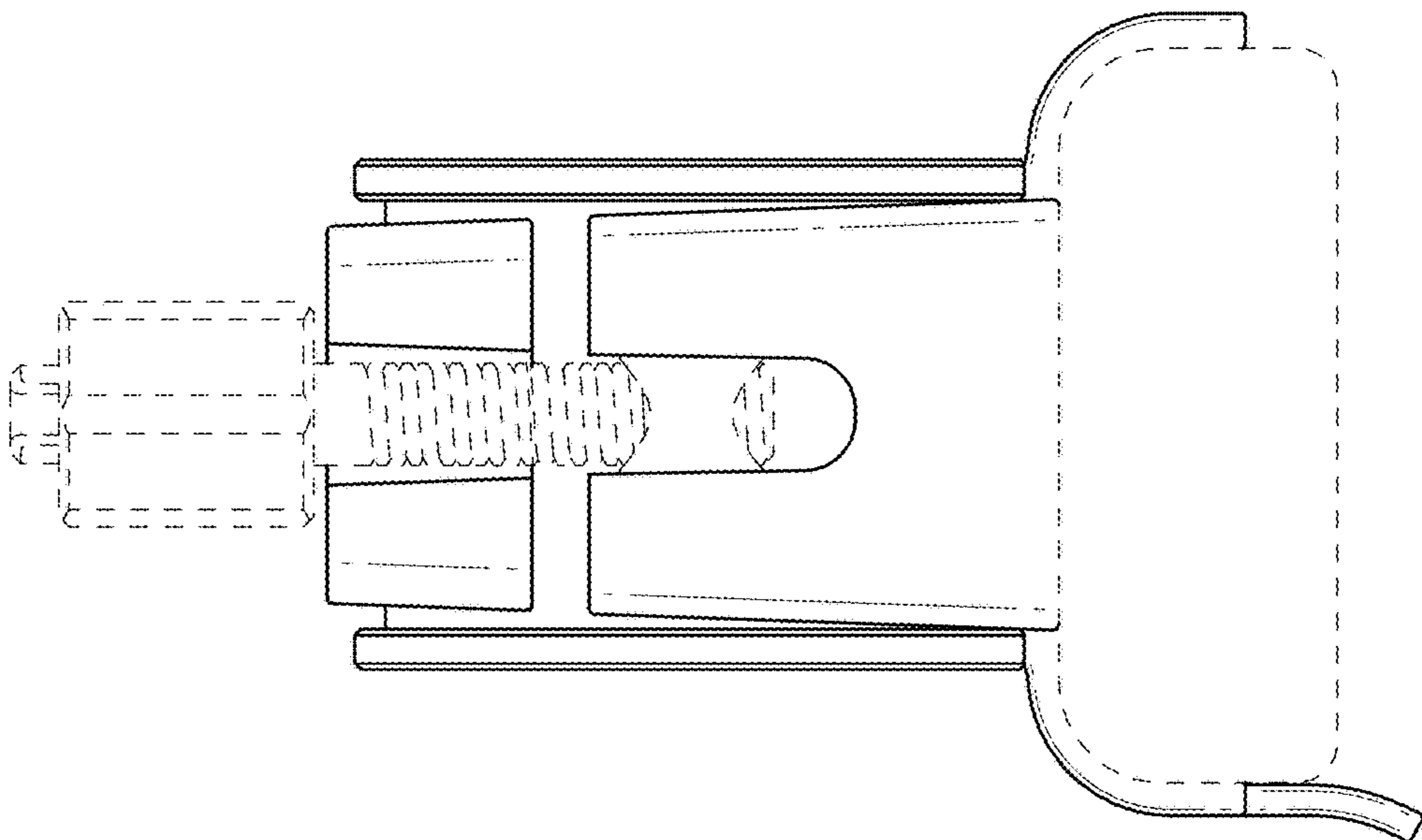


FIG. 3

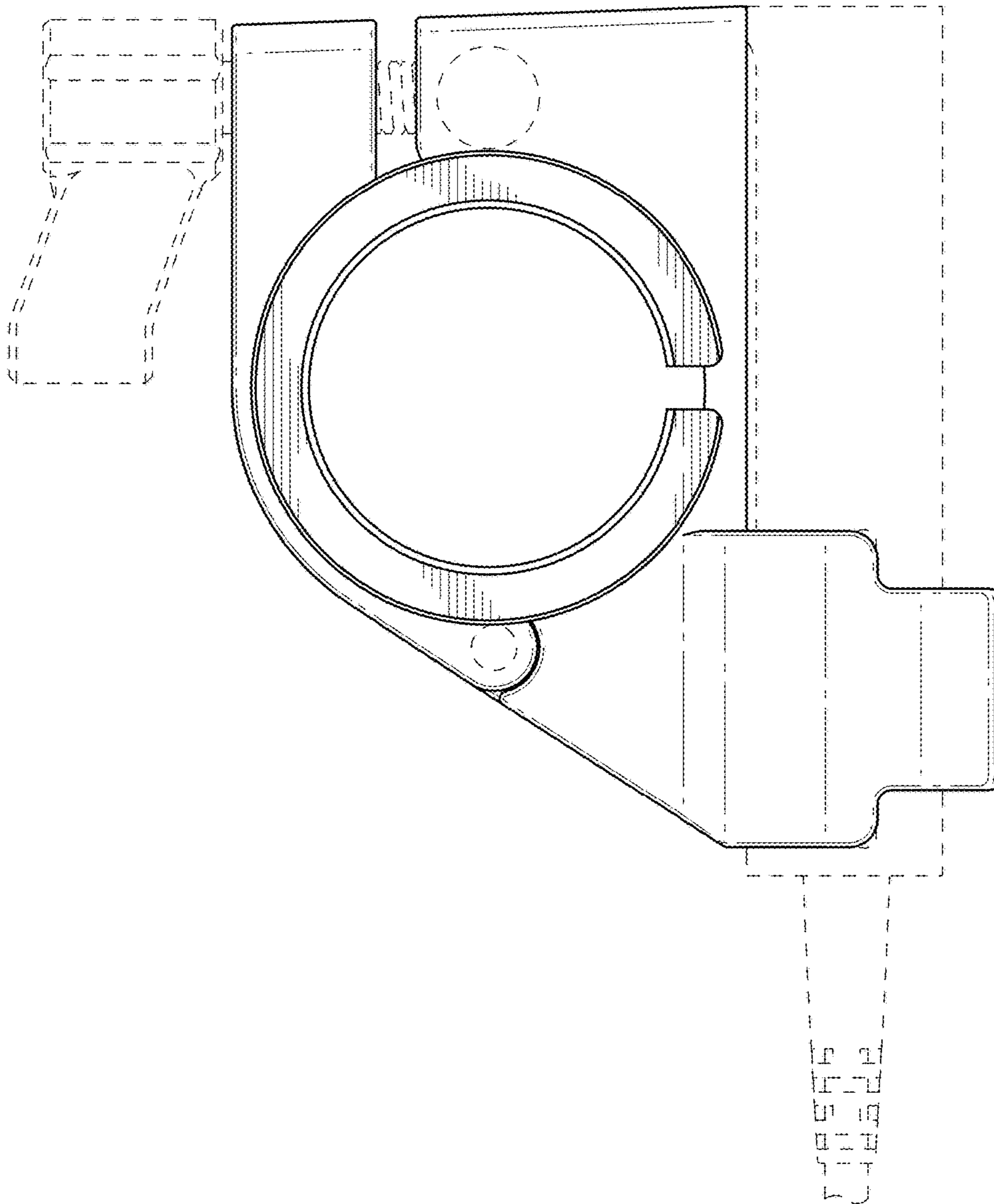


FIG. 5

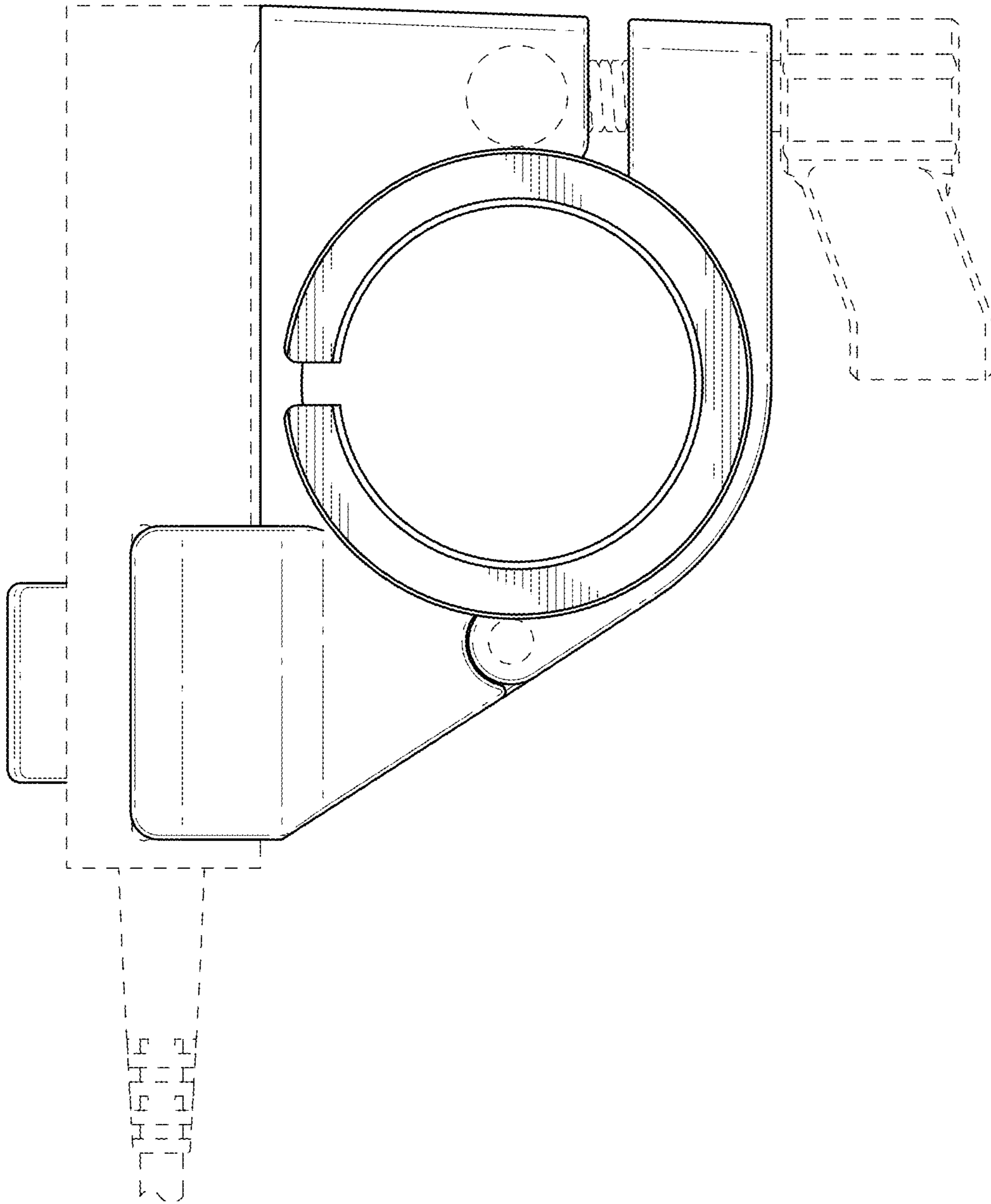


FIG. 6



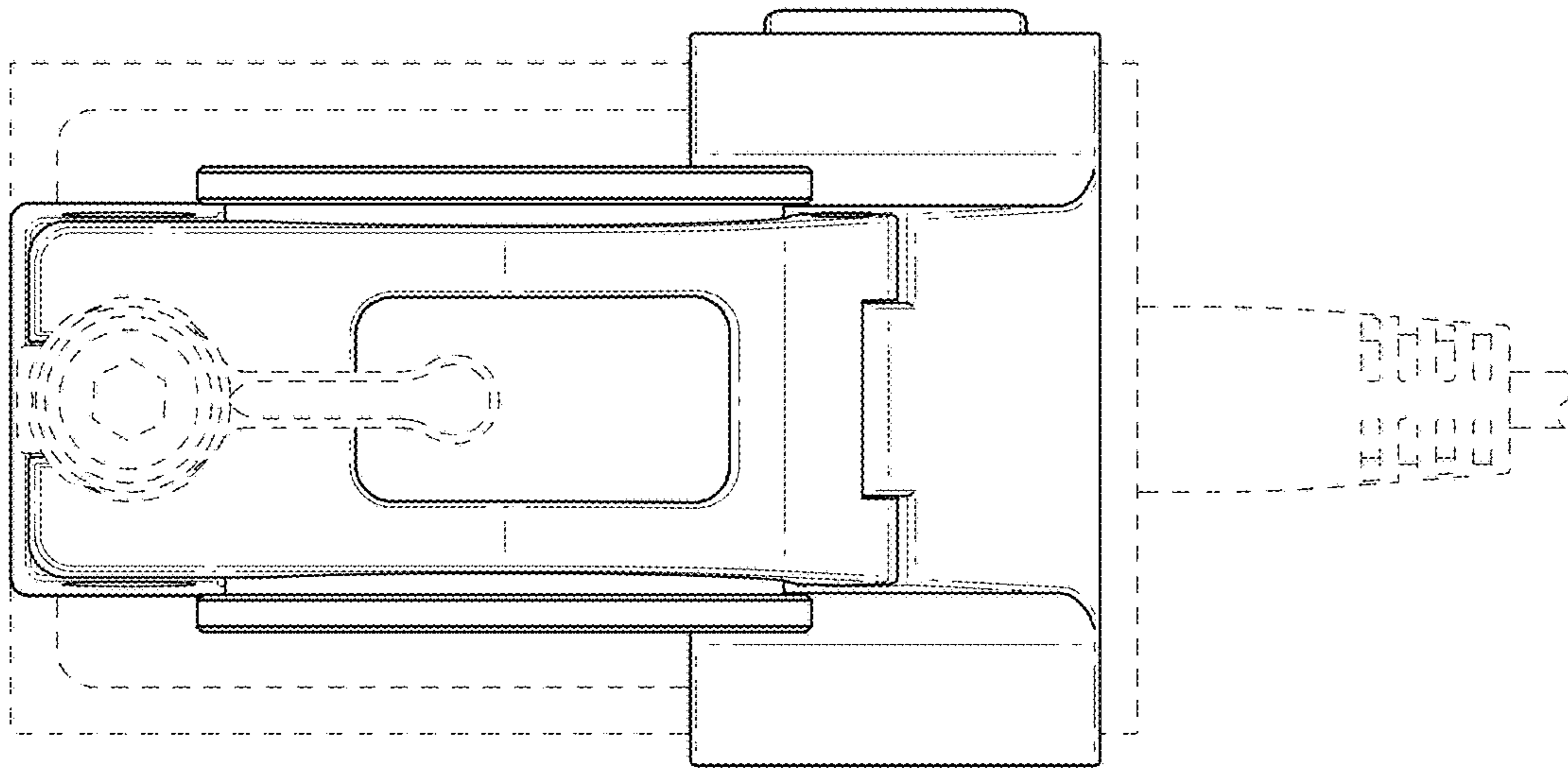


FIG. 7

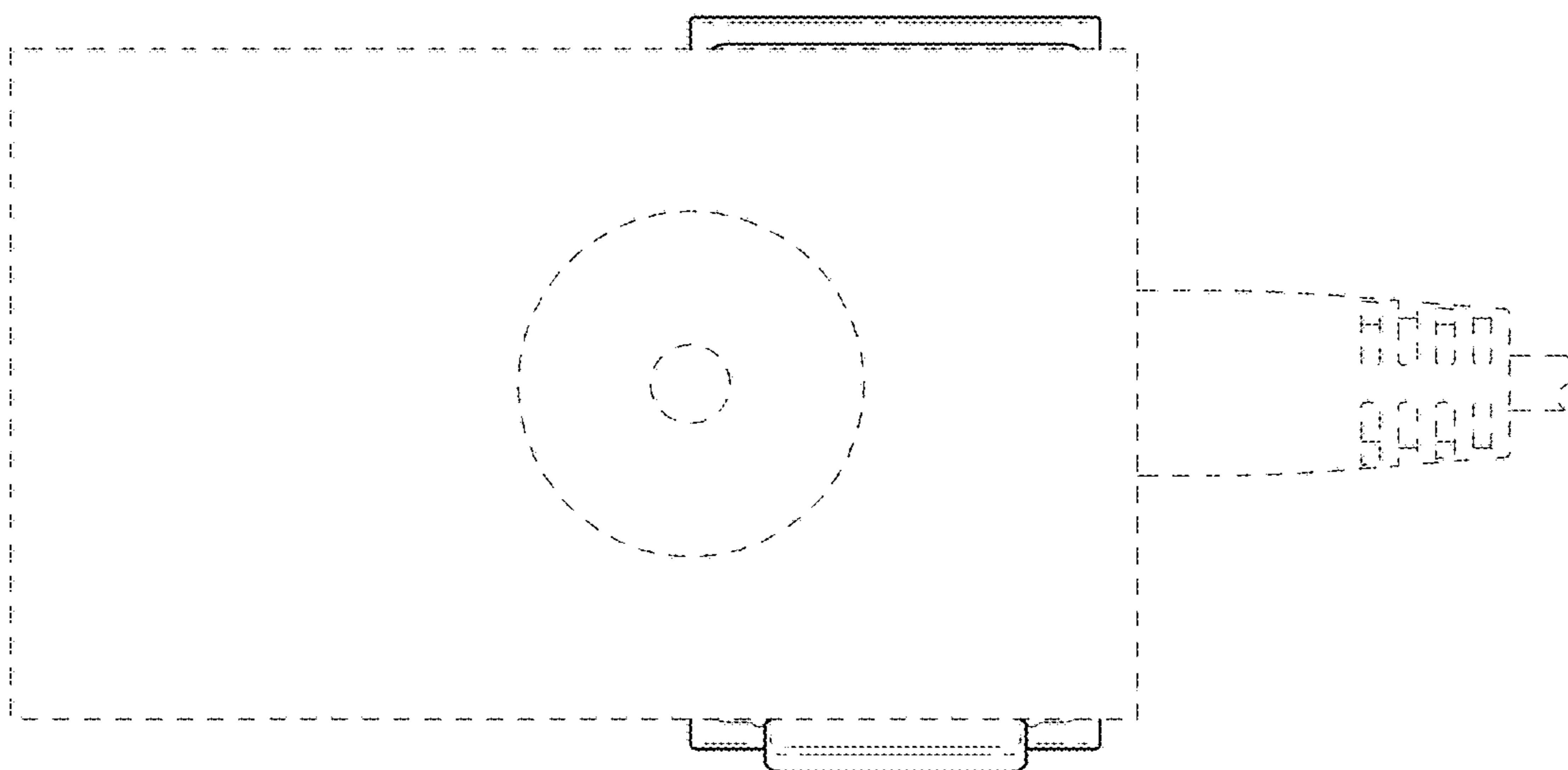


FIG. 8