



US00D798937S

(12) **United States Design Patent**  
**Petty et al.**

(10) **Patent No.:** **US D798,937 S**

(45) **Date of Patent:** **\*\* Oct. 3, 2017**

(54) **ELECTRONIC VIEW FINDER**

(71) Applicant: **Blackmagic Design Pty Ltd**, Port Melbourne Victoria (AU)

(72) Inventors: **Grant Petty**, Victoria (AU); **Simon Kidd**, Victoria (AU); **Stuart Elford**, Victoria (AU); **Shannon Smith**, Victoria (AU); **Michael Cornish**, Victoria (AU); **Joel Noble**, Victoria (AU)

(73) Assignee: **Blackmagic Design Pty Ltd** (AU)

(\*\*) Term: **15 Years**

(21) Appl. No.: **29/541,850**

(22) Filed: **Oct. 8, 2015**

(30) **Foreign Application Priority Data**

Apr. 8, 2015 (EM) ..... 002677286-0001  
Apr. 8, 2015 (EM) ..... 002677286-0002  
Apr. 8, 2015 (EM) ..... 002677286-0003  
Apr. 8, 2015 (EM) ..... 002677286-0004

(51) **LOC (10) Cl.** ..... **16-05**

(52) **U.S. Cl.**  
USPC ..... **D16/220**

(58) **Field of Classification Search**  
USPC ..... D16/130, 200, 202, 204, 205, 208, 219, D16/220, 237  
CPC ..... A61B 1/00195; A61B 1/012; A61B 1/018; G03B 17/563; H04N 5/2252  
See application file for complete search history.

(56) **References Cited**

**U.S. PATENT DOCUMENTS**

D195,999 S \* 8/1963 Bach ..... D16/130  
D214,594 S \* 7/1969 Songer ..... D16/220  
D278,907 S \* 5/1985 Kurokawa ..... D16/202

4,623,931 A \* 11/1986 Inaga ..... H04N 5/23212  
348/357  
4,926,262 A \* 5/1990 Rowens, Sr. .... F16M 11/041  
348/341  
D314,782 S \* 2/1991 Hong ..... D16/202  
(Continued)

**OTHER PUBLICATIONS**

“Blackmagic Ursa Viewfinder Unboxing”, posted at youtube.com, Aug. 27, 2015, [site visited Aug. 12, 2016]. Available from Internet: <[https://www.youtube.com/watch?v=4jBtZAPjU\\_w](https://www.youtube.com/watch?v=4jBtZAPjU_w)>.\*

(Continued)

*Primary Examiner* — Karen E Kearney

*Assistant Examiner* — John M Otte

(74) *Attorney, Agent, or Firm* — Saidman DesignLaw Group, LLC

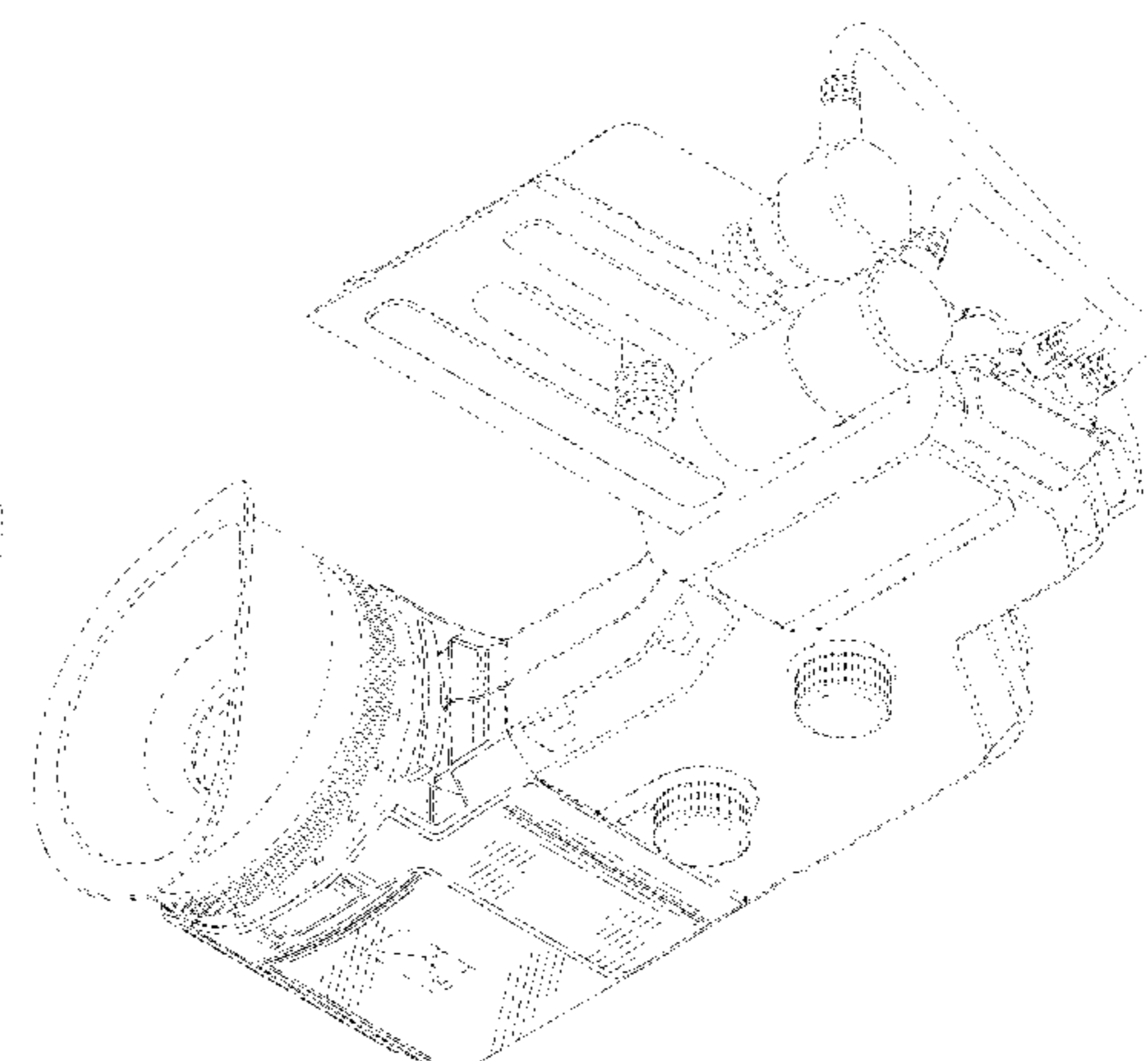
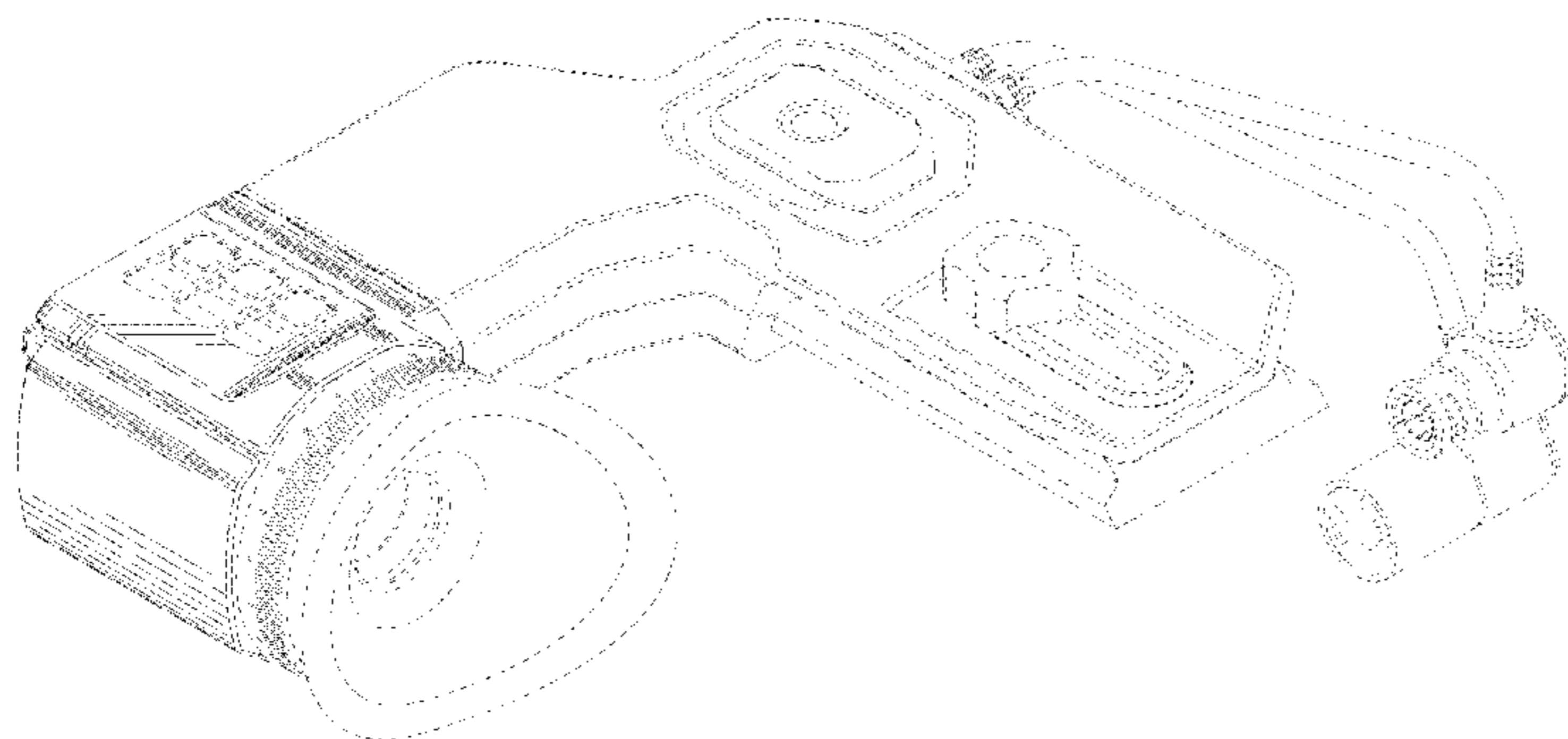
(57) **CLAIM**

The ornamental design for an electronic view finder, as shown and described.

**DESCRIPTION**

FIG. 1 is a rear, left, top, perspective view of an electronic view finder showing our new design;  
FIG. 2 is a rear perspective view thereof in a partially extended position;  
FIG. 3 is a rear, right, perspective view thereof;  
FIG. 4 is a top view thereof;  
FIG. 5 is a front view thereof;  
FIG. 6 is a rear view thereof;  
FIG. 7 is a right side view thereof;  
FIG. 8 is a left side view thereof;  
FIG. 9 is a bottom view thereof;  
FIG. 10 is a rear, left bottom, perspective view thereof; and,  
FIG. 11 is a rear, right, bottom, perspective view thereof.  
The broken lines illustrate portions of the “electronic view finder” and form no part of the claimed design.

**1 Claim, 11 Drawing Sheets**



(56)

References Cited

U.S. PATENT DOCUMENTS

5,152,278 A \* 10/1992 Clayman ..... A61B 1/00195  
600/131  
5,321,456 A \* 6/1994 Yoon ..... H04N 5/23293  
348/333.07  
5,495,290 A \* 2/1996 Choi ..... H04N 5/2251  
348/333.08  
5,767,906 A \* 6/1998 Toyofuku ..... H04N 5/2251  
348/333.06  
D400,226 S \* 10/1998 Tenne ..... D16/220  
D412,925 S \* 8/1999 Tashiro ..... D16/220  
D551,688 S \* 9/2007 Uchiyama ..... D16/202  
D589,547 S \* 3/2009 Yamada ..... D16/202  
7,595,837 B2 \* 9/2009 Kobayashi ..... G03B 17/563  
348/373  
D605,214 S \* 12/2009 Mori ..... D16/219  
D613,813 S \* 4/2010 Larsson ..... D22/109  
D619,190 S \* 7/2010 Larsson ..... D22/108  
D622,300 S \* 8/2010 Endo ..... D16/202  
D629,826 S \* 12/2010 Funakoshi ..... D16/220  
7,956,922 B2 \* 6/2011 Kaji ..... G03B 13/06  
348/333.07  
D647,939 S \* 11/2011 Jannard ..... D16/219  
2008/0198255 A1 \* 8/2008 Kirihara ..... G03B 13/02  
348/341

OTHER PUBLICATIONS

“Video: LCDVFe Electronic Viewfinder Product Spotlight”, posted at [blog.filmttools.com](http://blog.filmttools.com), Sep. 20, 2012, [site visited Aug. 23, 2016]. Available from Internet: <<http://blog.filmttools.com/2012/09/20/video-lcdvfe-electronic-viewfinder-product-spotlight>>.\*  
Wahdiono, Farid, “New Electronic Viefinder for HD/SLR Cameras”, posted at [exposure-magz.com](http://exposure-magz.com), Sep. 28, 2010, [site visited Aug. 23, 2016]. Available from Internet: <<http://www.exposure-magz.com/2010/09/28/new-electronic-viewfinder-for-hdslr-cameras>>.\*  
“Alphatron EVF-035W EVF 9 Minute Review”, posted at [cinescopophilia.com](http://cinescopophilia.com), Jun. 7, 2012, [site visited Aug. 23, 2016]. Available from Internet: <<http://cinescopophilia.com/alphatron-evf-035w-evf-9-minute-review>>.\*  
“Quick Look—Cineroid EVF4RVW with Retina Display”, posted at [youtube.com](http://youtube.com), Feb. 13, 2013, [site visited Mar. 30, 2017]. Available from Internet: <<https://www.youtube.com/watch?v=zu2jJxhxyvI>>.\*  
“ALEXA Mini Multi Viewfinder MVF-1”, posted at [arri.com](http://arri.com), Apr. 7, 2014, [site visited Mar. 30, 2017]. Available from Internet: <[http://www.arri.com/camera/alexa\\_mini/technology/camera\\_hardware/alexa\\_mini\\_viewfinder](http://www.arri.com/camera/alexa_mini/technology/camera_hardware/alexa_mini_viewfinder)>.\*  
Bui, Lan, “DSLR EVF | Z-Finder EVF | Electronic Viewfinder”, posted at [thebui brothers.com](http://thebui brothers.com), Sep. 20, 2010, [site visited Mar. 30, 2017]. Available from Internet: <<http://thebui brothers.com/blog/2010/09/dslr-evf-z-finder-evf-electronic-viewfinder>>.\*

\* cited by examiner

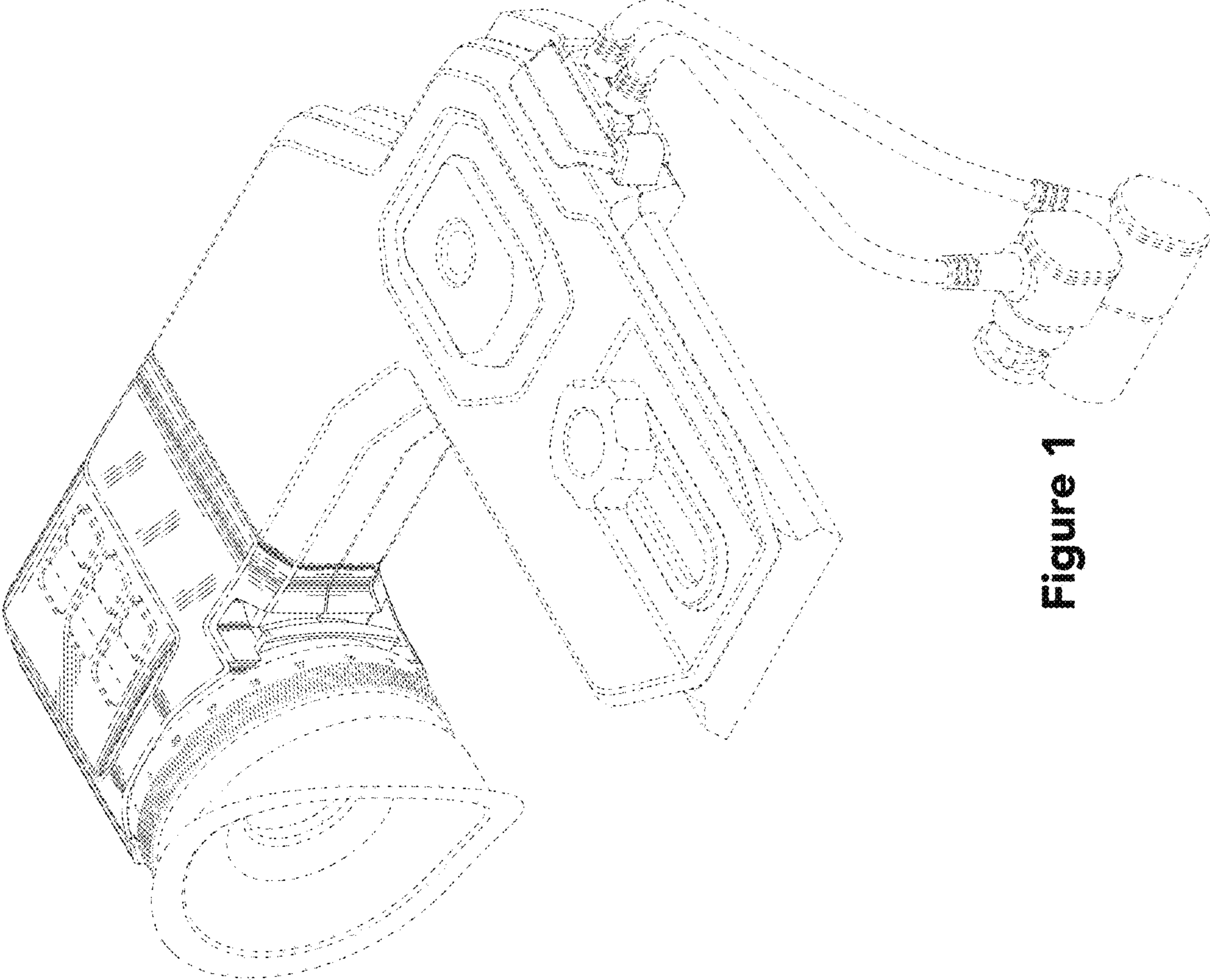


Figure 1

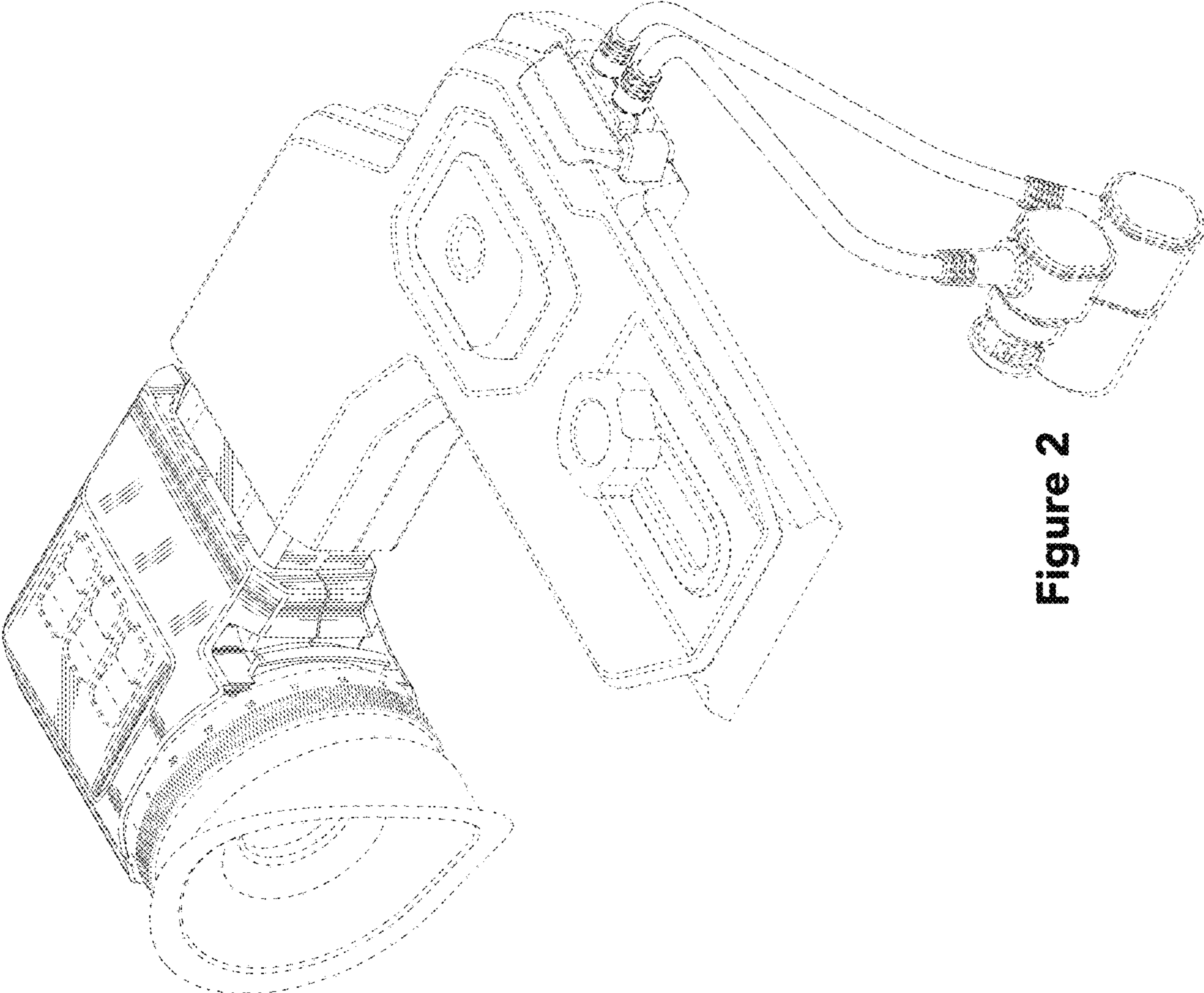


Figure 2

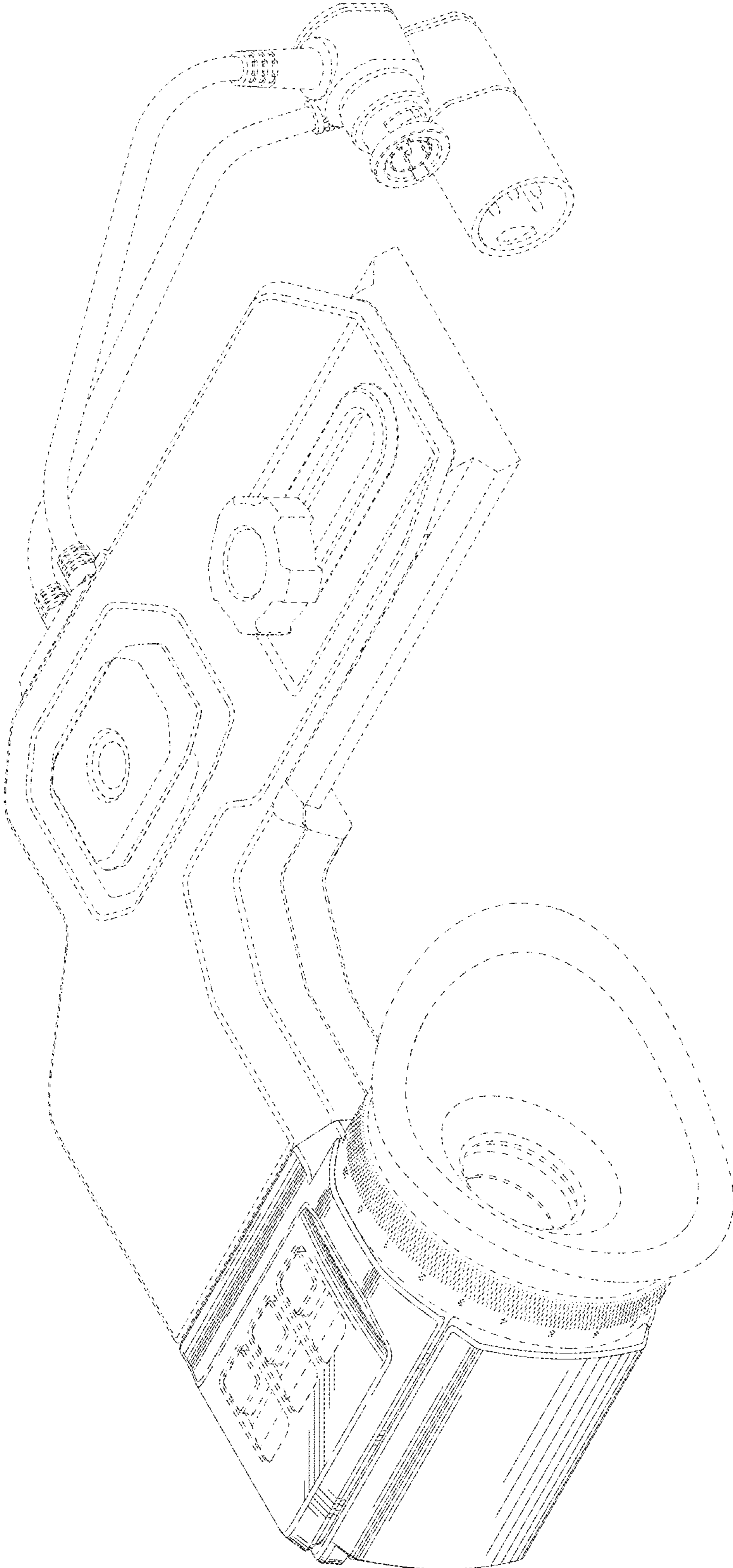


Figure 3

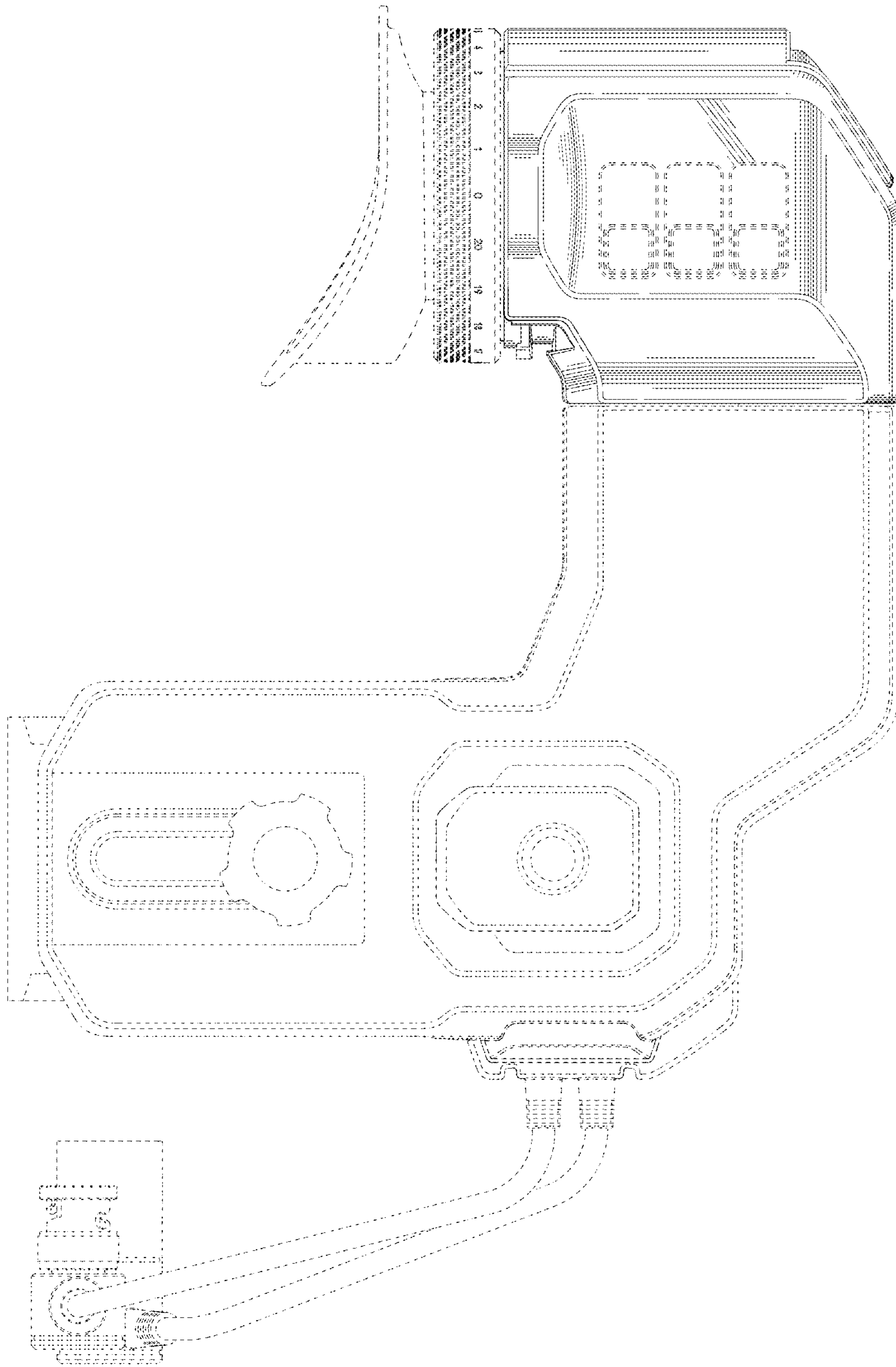


Figure 4

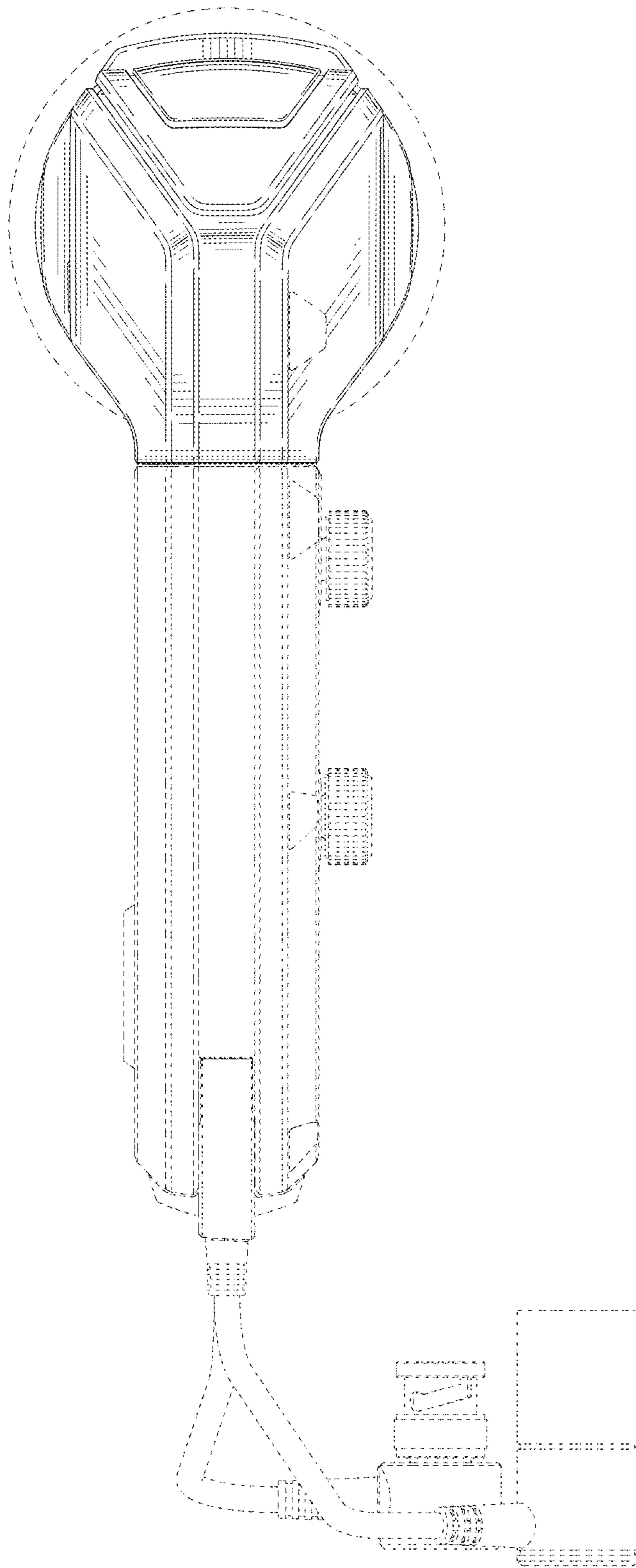


Figure 5

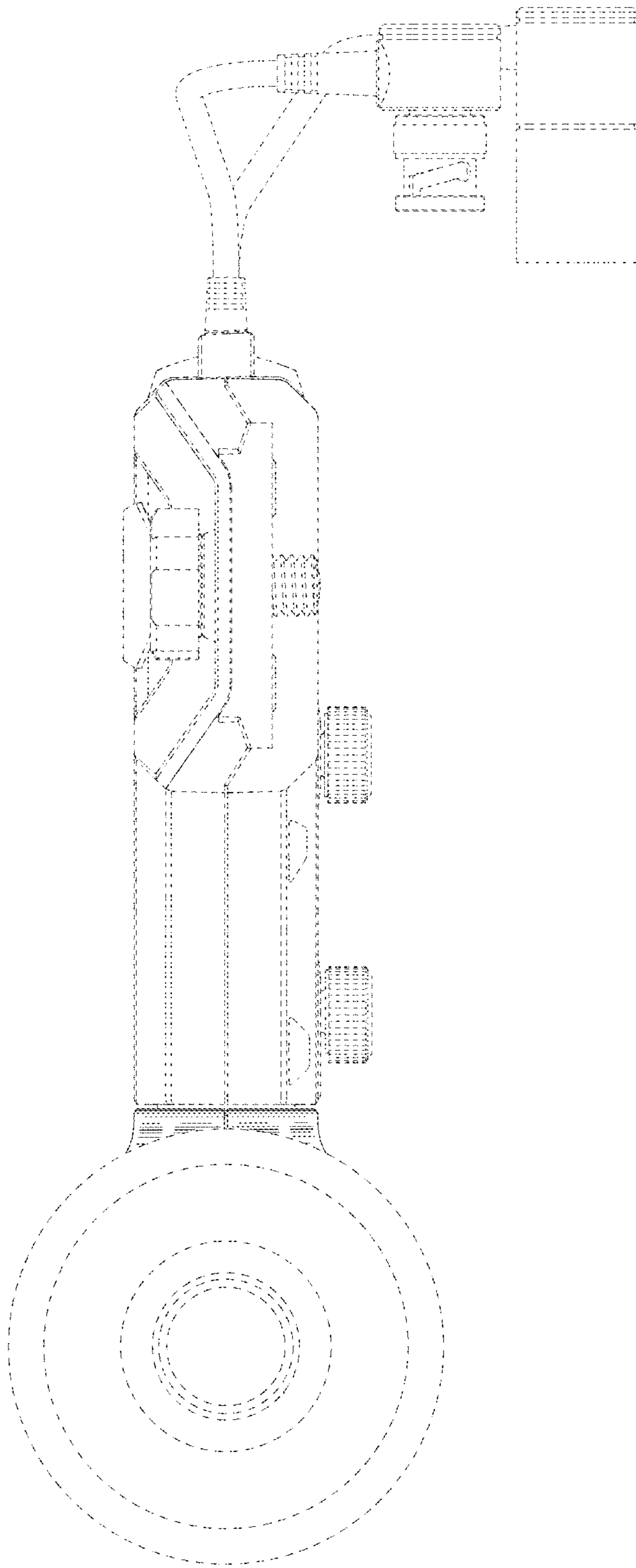


Figure 6



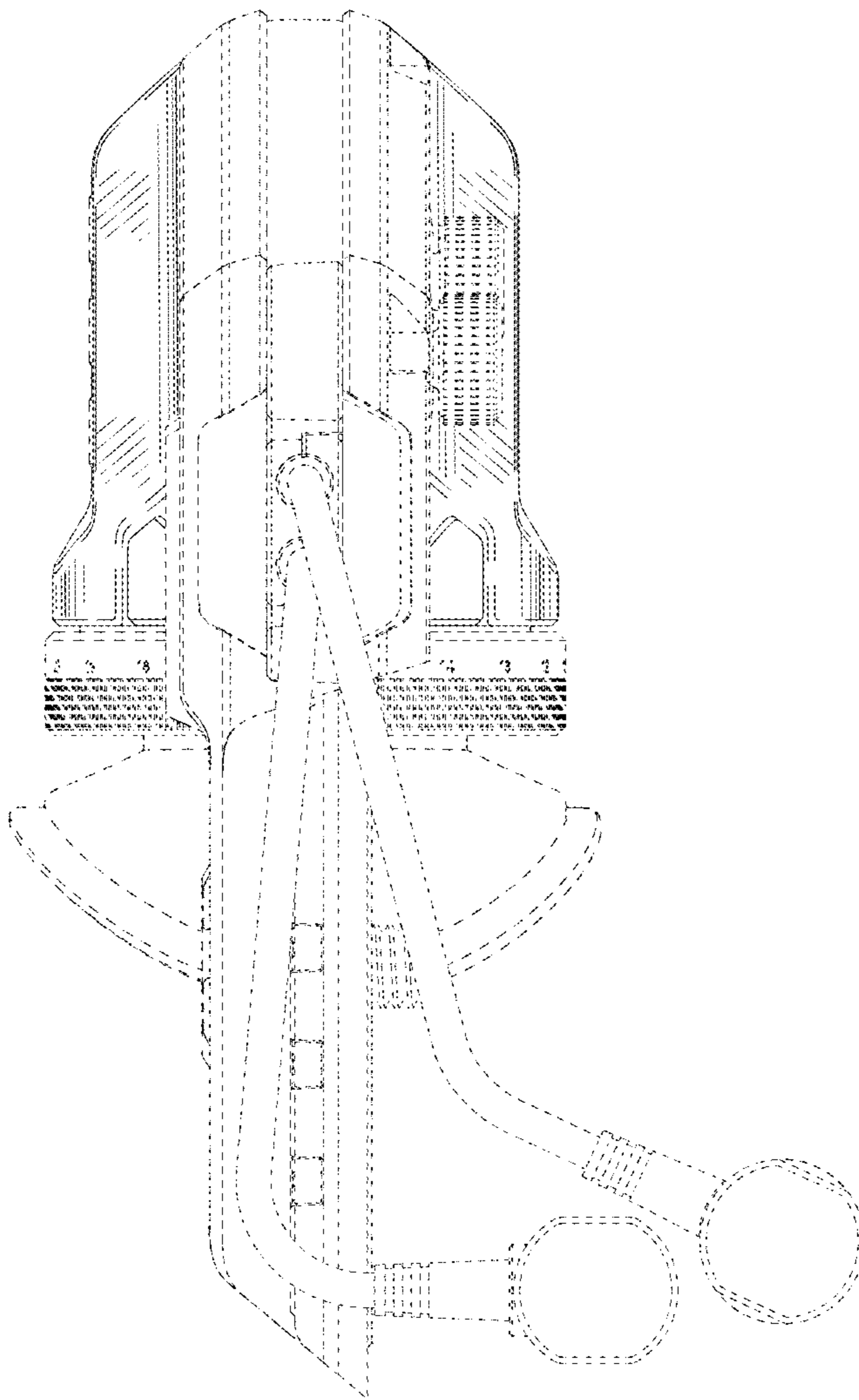


Figure 7

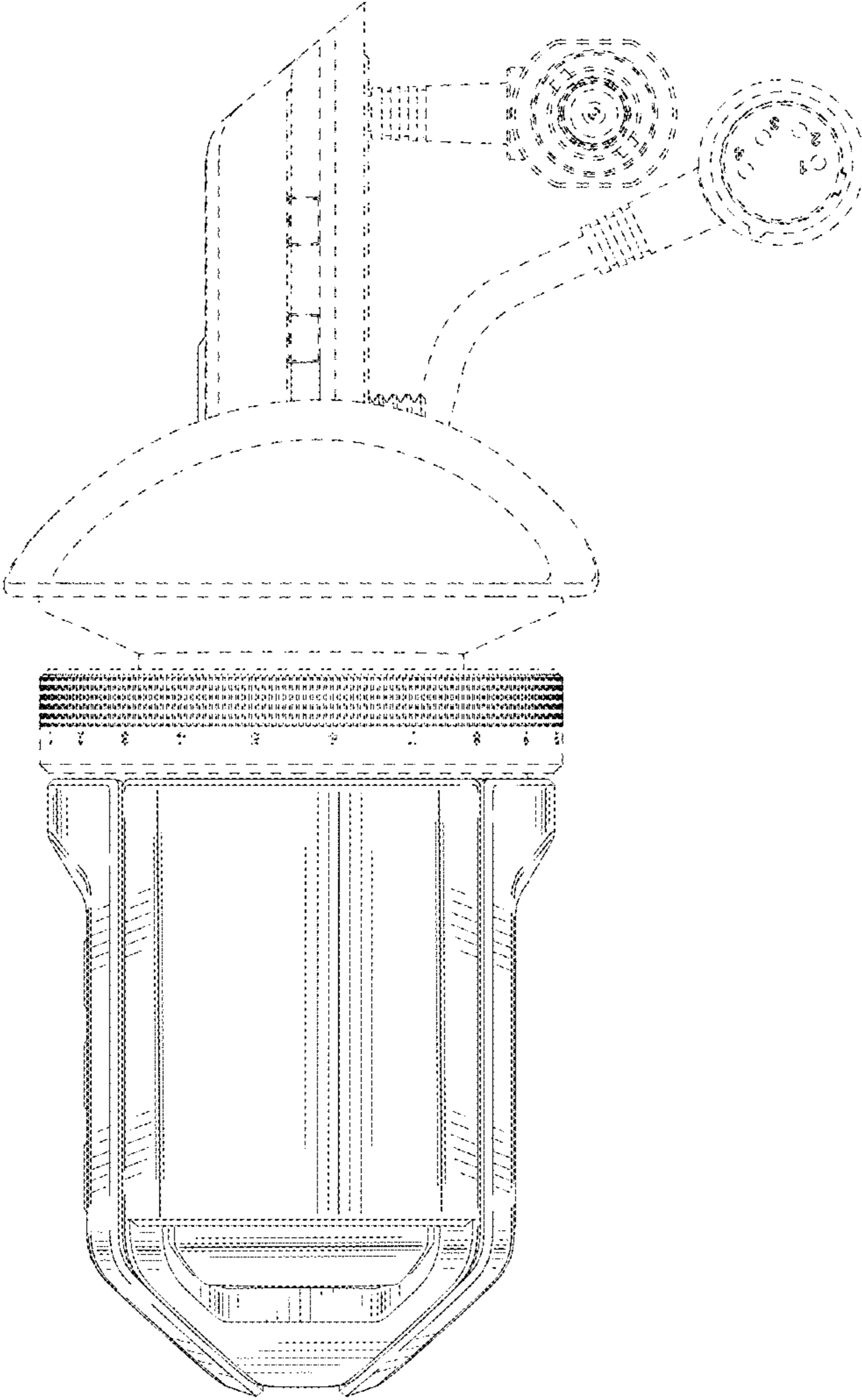


Figure 8

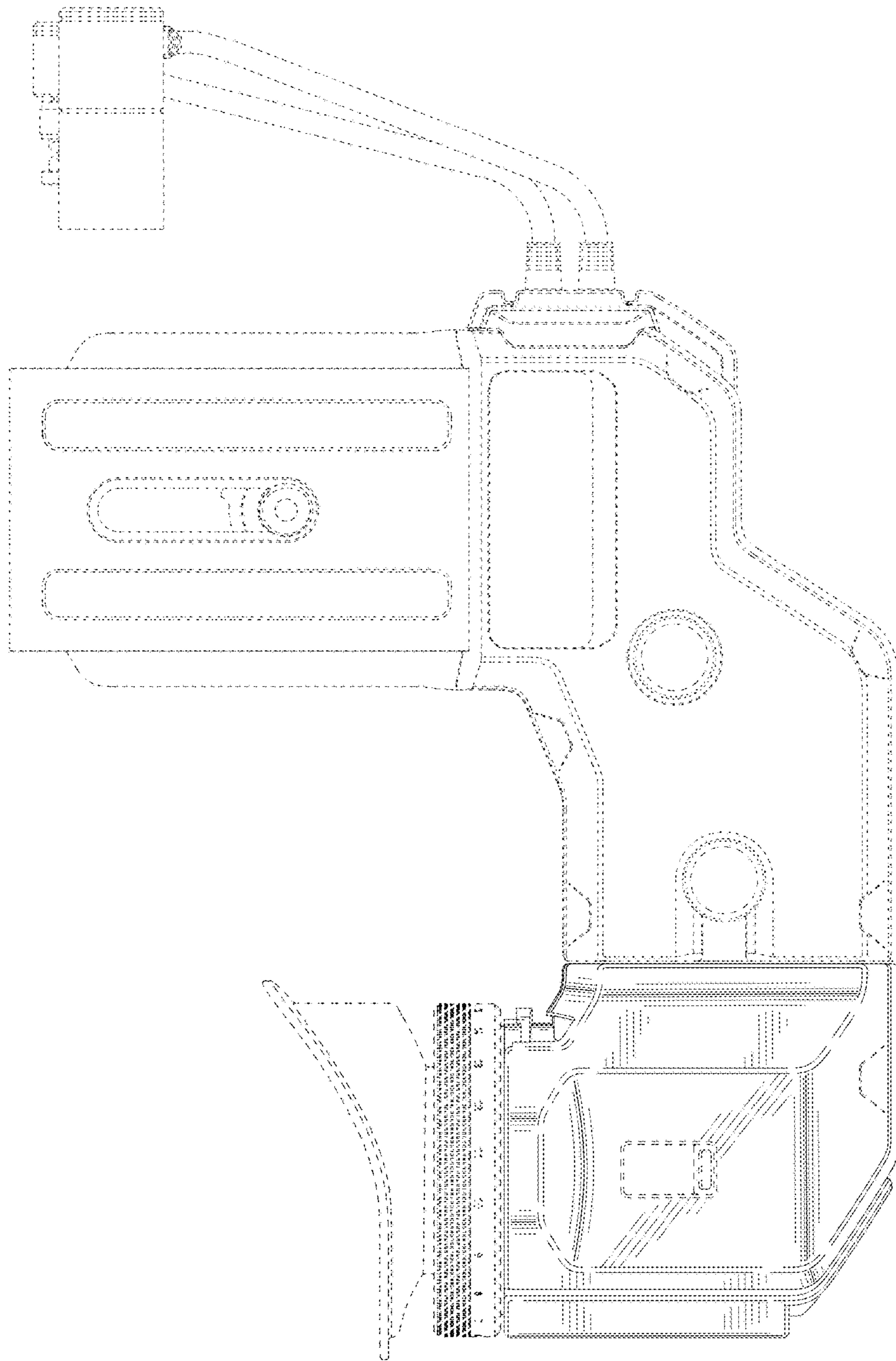


Figure 9

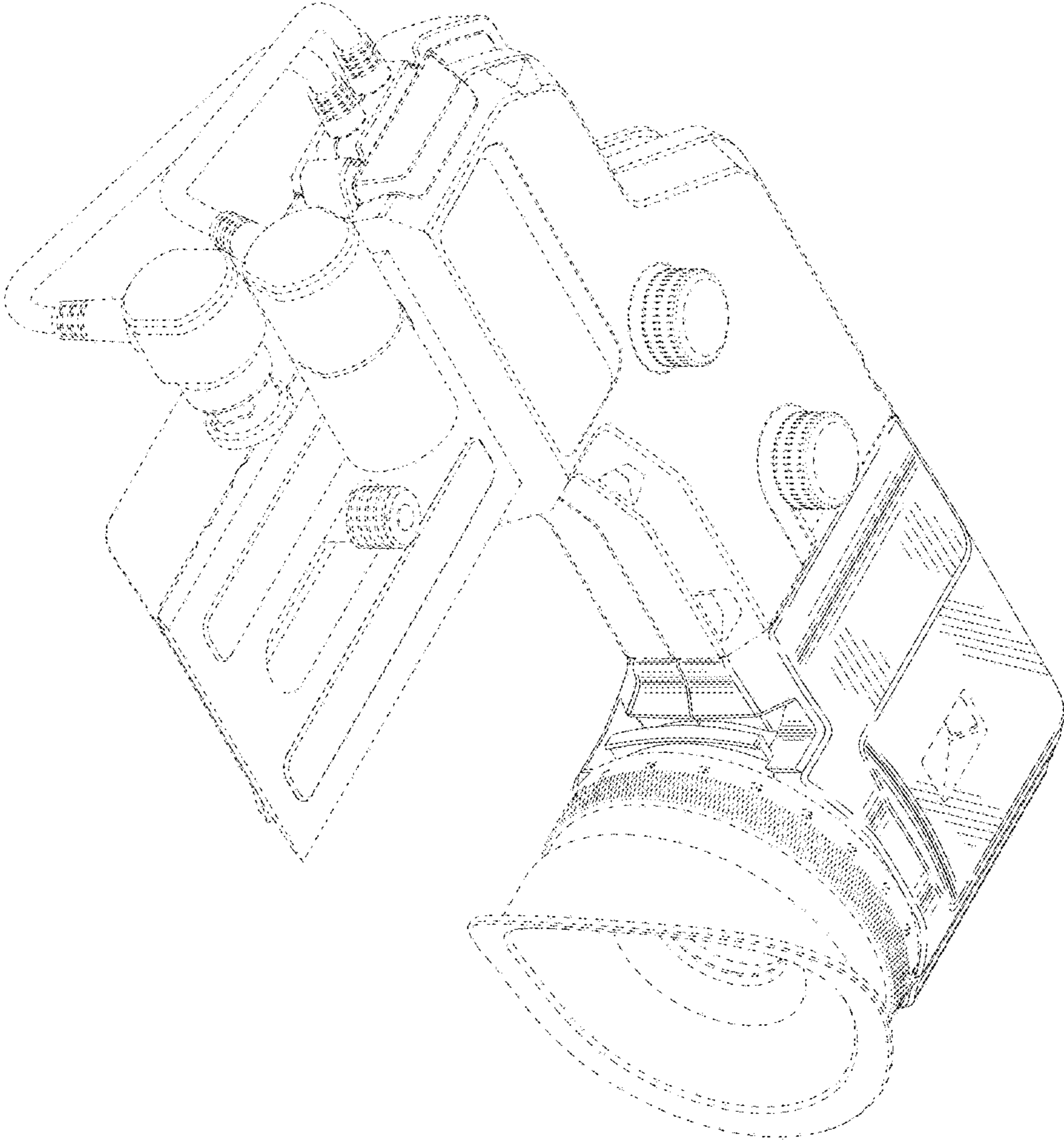


Figure 10

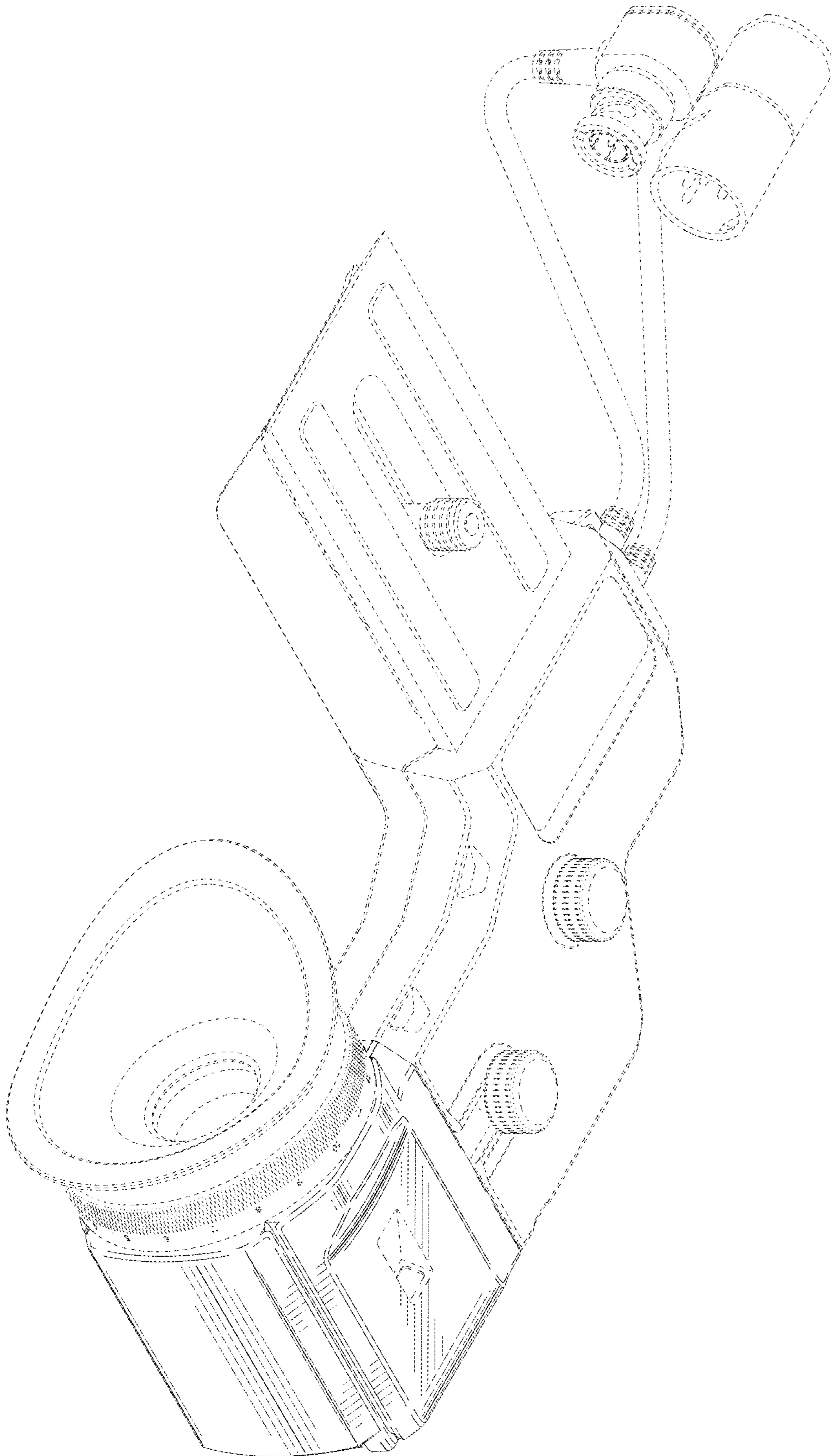


Figure 11