



US00D798935S

(12) **United States Design Patent** (10) **Patent No.:** **US D798,935 S**  
**Dimitriadis et al.** (45) **Date of Patent:** **\*\* Oct. 3, 2017**

(54) **CAMERA**  
(71) Applicant: **Robert Bosch GmbH**, Stuttgart (DE)  
(72) Inventors: **Andreas Dimitriadis**, Lorch (DE);  
**Matthias Wieser**, Stuttgart (DE)  
(73) Assignee: **Robert Bosch GmbH**, Stuttgart (DE)  
(\*\*) Term: **15 Years**

(21) Appl. No.: **29/572,451**  
(22) Filed: **Jul. 28, 2016**

(30) **Foreign Application Priority Data**

Feb. 2, 2016 (EM) ..... 002968784

(51) **LOC (10) Cl.** ..... **16-01**  
(52) **U.S. Cl.**  
USPC ..... **D16/203**

(58) **Field of Classification Search**  
USPC ..... D16/200, 202–205, 208, 214, 218, 219,  
D16/242; 348/14.01–14.06, 143, 148,  
348/151, 373–376; 396/419, 427, 535,  
396/539–541  
CPC ..... G03B 17/02; G03B 19/04; G03B 17/56;  
G03B 17/04; G03B 15/03; H04N 5/2251;  
H04N 5/2252; H04N 5/2253; H04N  
5/2254; H04N 2007/145; H04N 7/141;  
H04N 7/142; H04N 7/147; H04N 7/148;  
H04N 7/15; H04N 7/152  
See application file for complete search history.

(56) **References Cited**

**U.S. PATENT DOCUMENTS**

D418,152 S \* 12/1999 McBride ..... D16/204  
D624,577 S \* 9/2010 Kujawski ..... D16/203  
D635,173 S \* 3/2011 Yamakawa ..... D16/203  
D696,329 S \* 12/2013 Horiki ..... D16/203

D701,893 S \* 4/2014 Bart ..... D16/203  
D709,118 S \* 7/2014 Yu ..... D16/203  
D727,388 S \* 4/2015 Huang ..... D16/214  
D728,655 S \* 5/2015 Daniel ..... D16/203  
D743,467 S \* 11/2015 Bhattacharya ..... D16/203  
D747,383 S \* 1/2016 Li ..... D16/203  
D774,119 S \* 12/2016 Lin ..... D16/203  
D776,740 S \* 1/2017 Okawa ..... D16/203  
2009/0201413 A1 \* 8/2009 Fishman ..... H04N 5/2252  
348/373

\* cited by examiner

*Primary Examiner* — Philip S Hyder  
*Assistant Examiner* — Ramzi Almatrahi  
(74) *Attorney, Agent, or Firm* — Maginot, Moore & Beck  
LLP

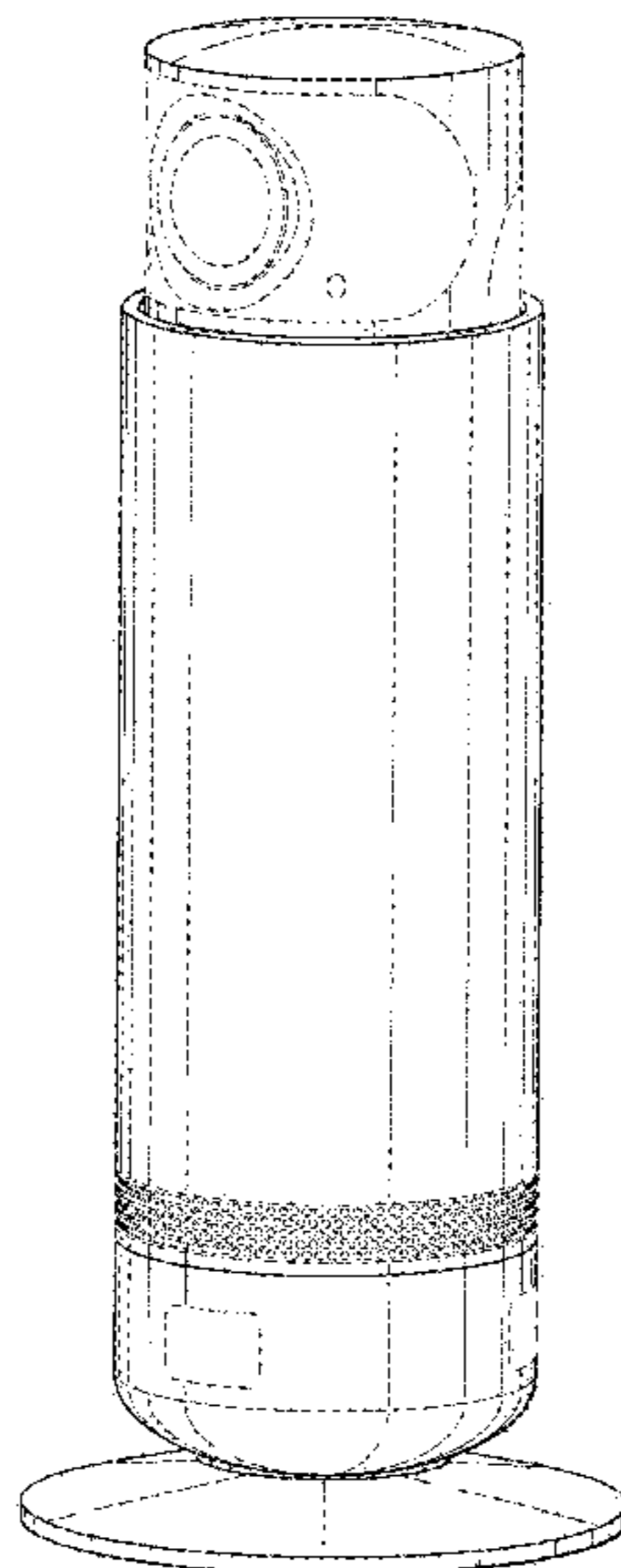
(57) **CLAIM**

The ornamental design for a camera, as shown and described.

**DESCRIPTION**

FIG. 1 is a perspective view of a camera showing our new design;  
FIG. 2 is a right side elevational view showing the design for the camera of FIG. 1;  
FIG. 3 is a left side elevational view showing the design for the camera of FIG. 1;  
FIG. 4 is a front elevational view showing the design for the camera of FIG. 1;  
FIG. 5 is a rear elevational view showing the design for the camera of FIG. 1;  
FIG. 6 is a top plan view showing the design for the camera of FIG. 1; and,  
FIG. 7 is a bottom plan view showing the design for the camera of FIG. 1.  
The broken lines shown in the drawings illustrate portions of the camera that form no part of the claimed design.

**1 Claim, 7 Drawing Sheets**



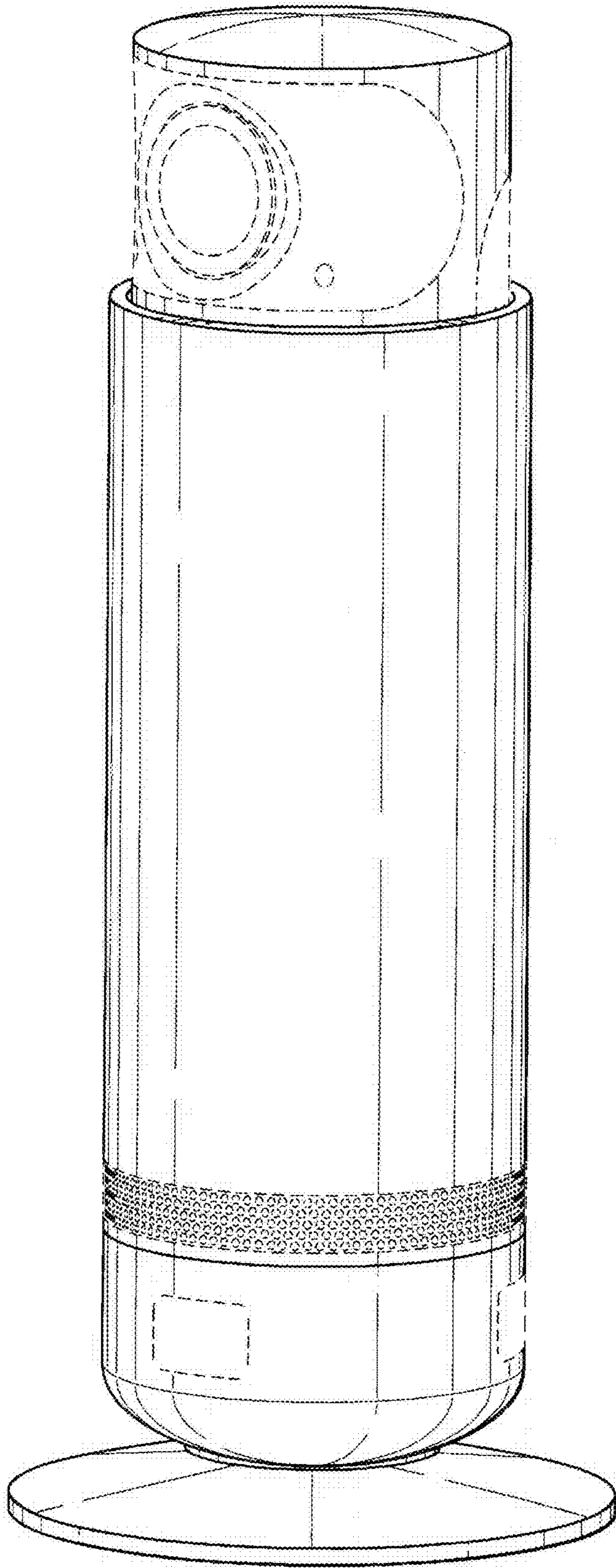


Fig. 1

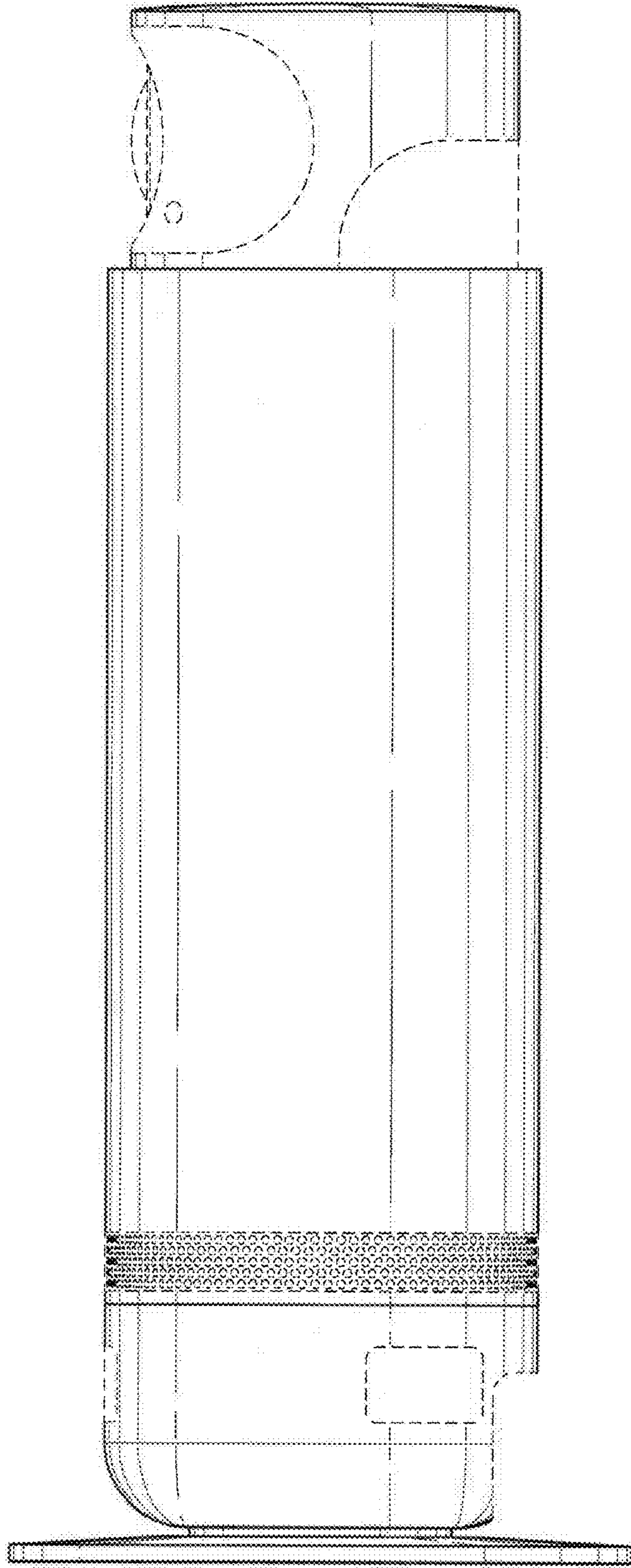


Fig. 2



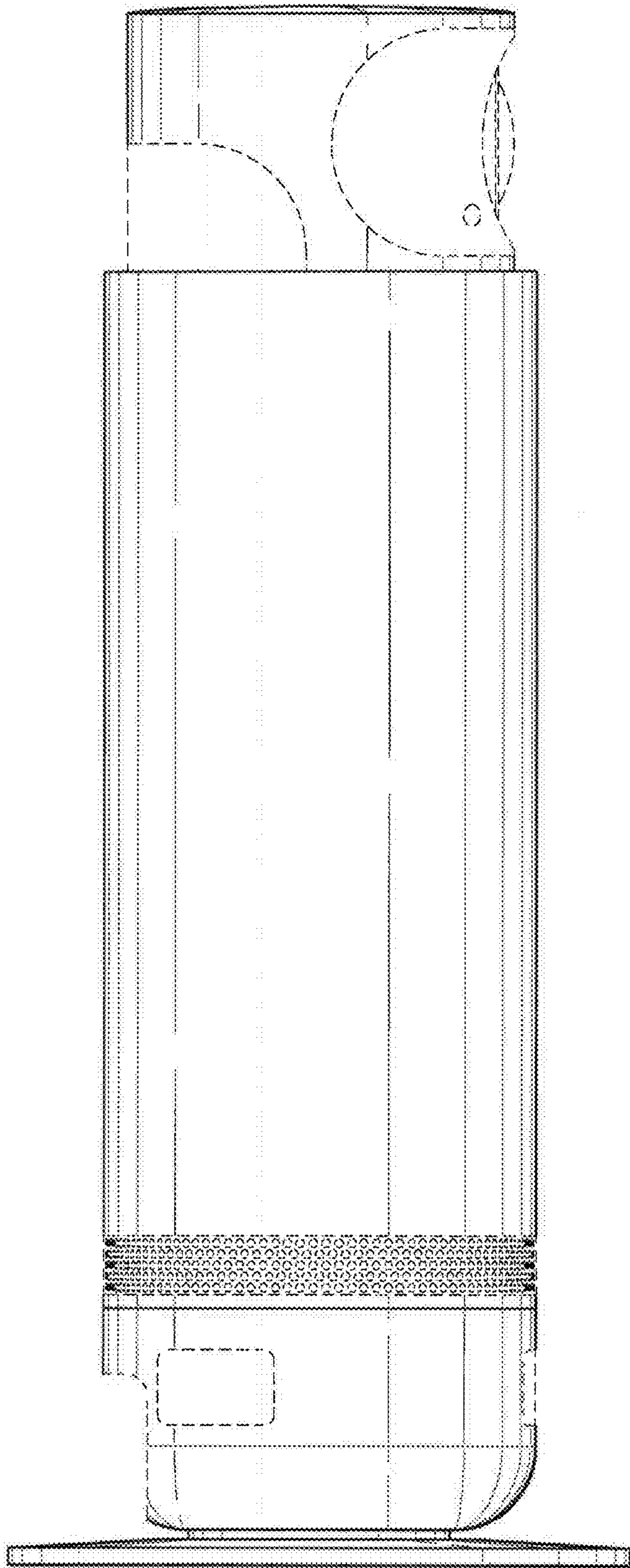


Fig. 3

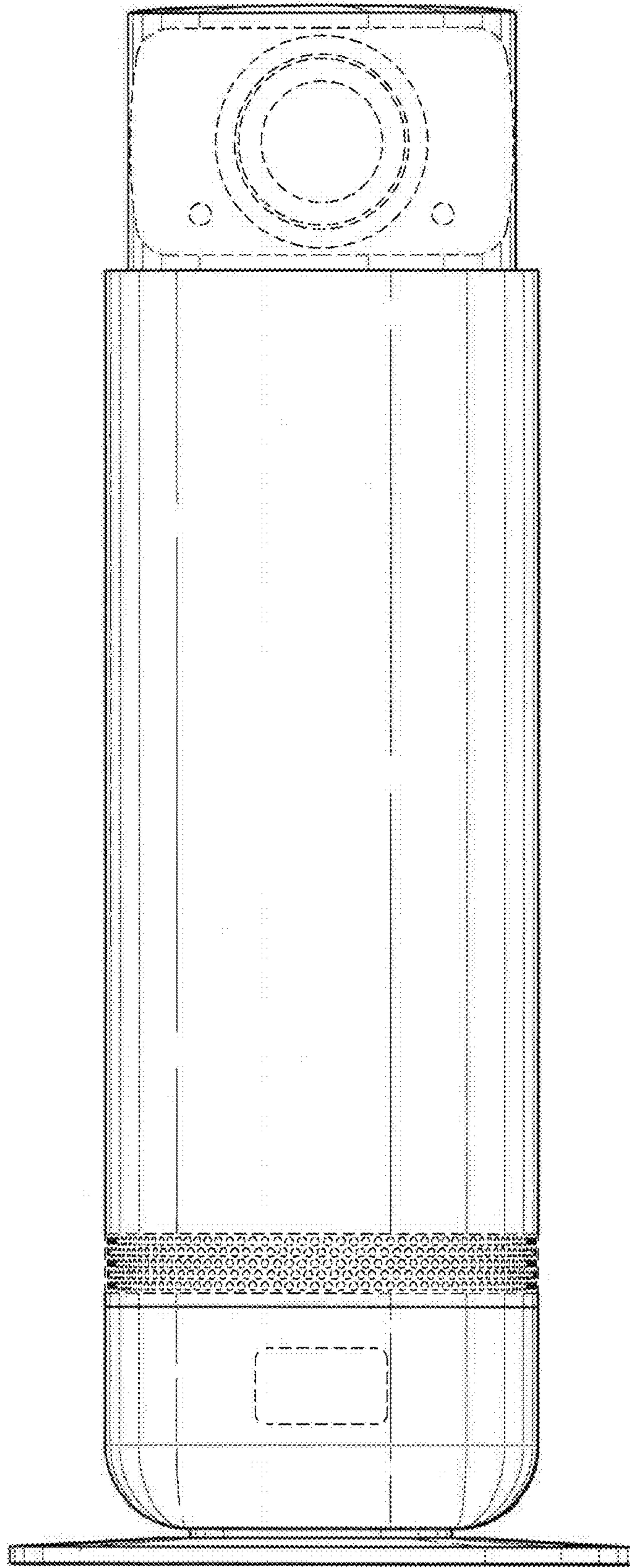


Fig. 4

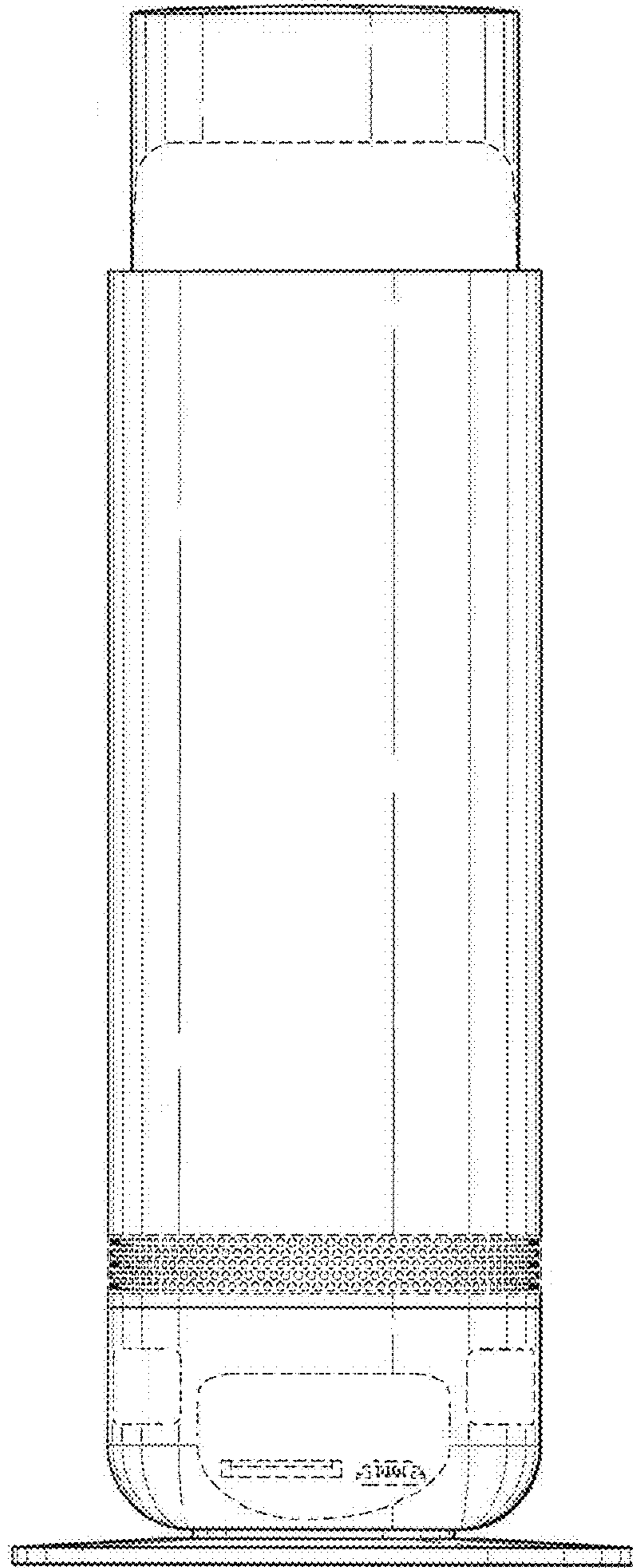


Fig. 5

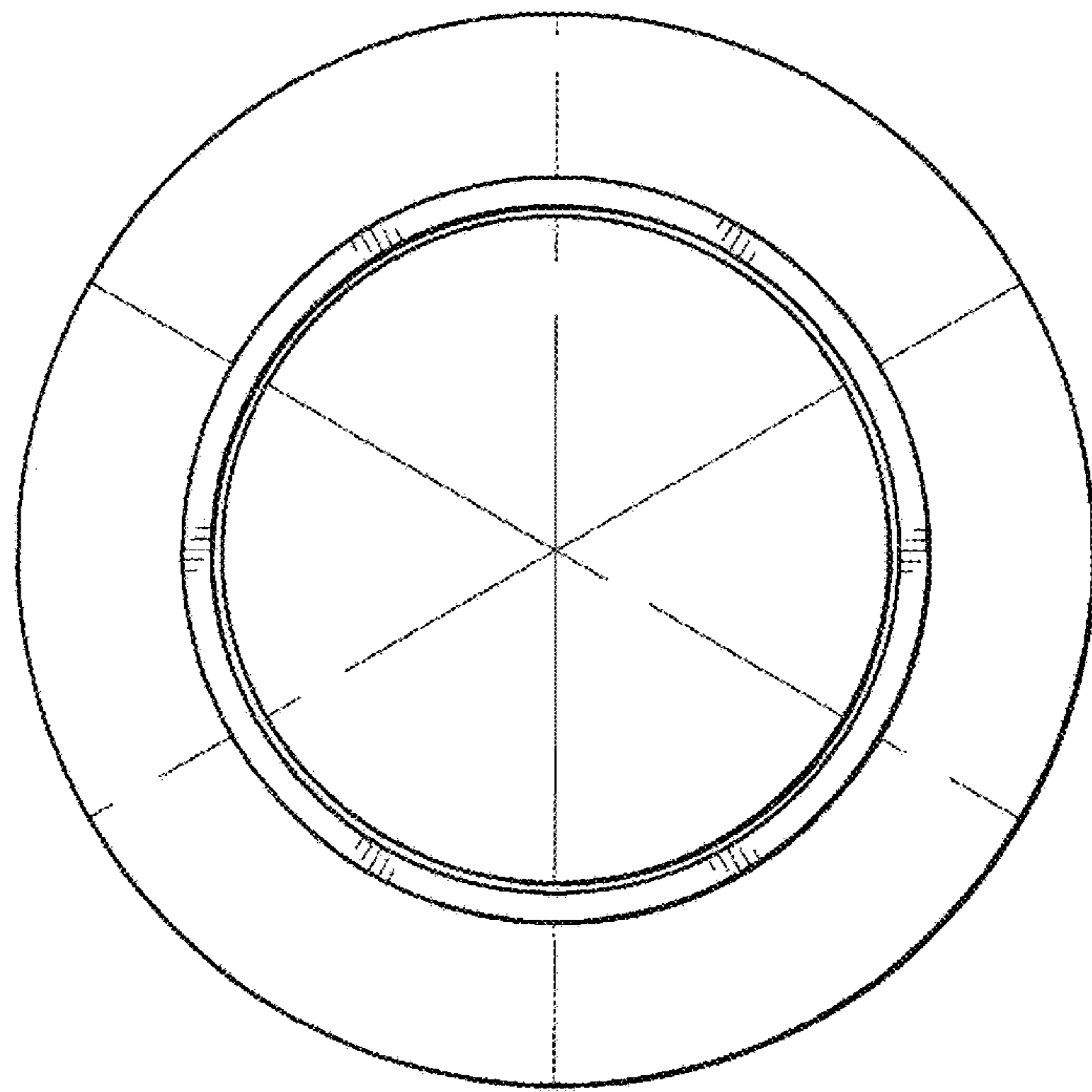
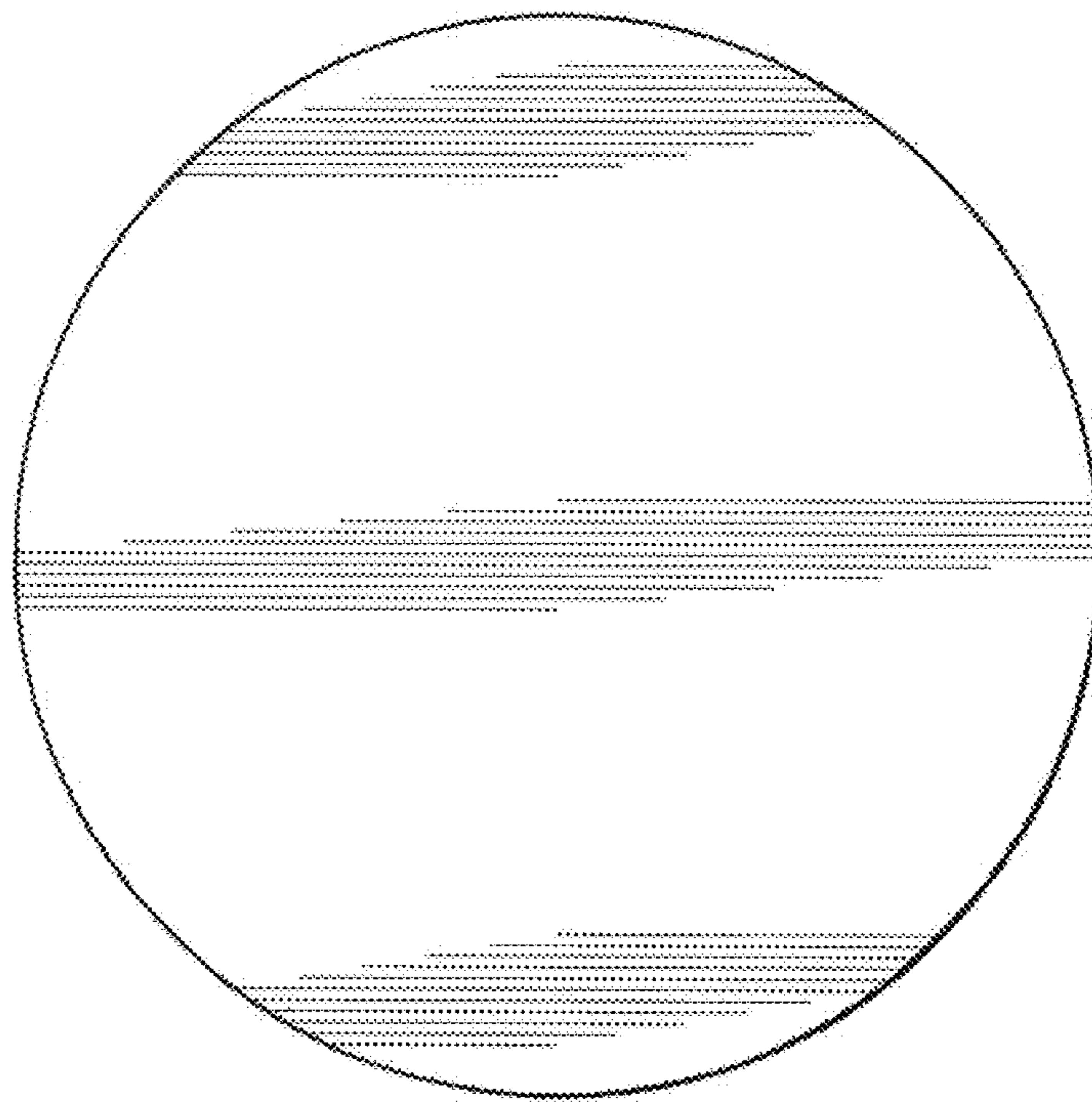


Fig. 6



**Fig. 7**