



US00D798934S

(12) **United States Design Patent** (10) **Patent No.:** **US D798,934 S**
Wu (45) **Date of Patent:** **** Oct. 3, 2017**

(54) **DOME CAMERA**
(71) Applicant: **Avigilon Corporation**, Vancouver (CA)
(72) Inventor: **Andrew Wu**, Richmond (CA)
(73) Assignee: **Avigilon Corporation**, Vancouver (CA)
(**) Term: **15 Years**
(21) Appl. No.: **29/571,917**
(22) Filed: **Jul. 22, 2016**
(51) **LOC (10) Cl.** **16-01**
(52) **U.S. Cl.**
USPC **D16/203**
(58) **Field of Classification Search**
USPC D16/200, 202–206, 218, 219, 242;
348/143, 148, 151, 373–376; 396/419,
396/427, 535, 539–541
CPC G03B 17/02; G03B 19/04; G03B 17/56;
G03B 17/04; G03B 15/03; H04N 5/2251;
H04N 5/2252; H04N 5/2253; H04N
5/2254; H04N 7/181; H04N 7/183; H04N
7/18; G08B 13/1963; G08B 13/19619;
G08B 13/19632; F16M 11/04; F16M
13/00

See application file for complete search history.

(56) **References Cited**

U.S. PATENT DOCUMENTS

D412,924 S * 8/1999 Hiraguchi D16/203
D497,927 S * 11/2004 Arbuckle D16/203
D556,236 S * 11/2007 Kim D16/202
D558,248 S * 12/2007 Togawa D16/203
D615,114 S * 5/2010 Arnold D16/203
D628,225 S * 11/2010 Deurwaarder D16/203
D633,120 S * 2/2011 Ham D16/203
D639,328 S * 6/2011 Zeinoun D16/203
D644,677 S * 9/2011 Park D16/203
8,066,438 B2 * 11/2011 Takahashi G03B 17/00
348/143

D655,328 S * 3/2012 Anneback D16/203
D694,798 S * 12/2013 Deurwaarder D16/203
D740,870 S * 10/2015 Park D16/203
D742,447 S 11/2015 Stark et al.

OTHER PUBLICATIONS

U.S. Appl. No. 29/540,158, entitled Top-Mounted Pendant Enclosure for Spherical Camera, filed Sep. 21, 2015, Inventors: Holbrook et al.
“Tough HD; 1.3 MP HD Vandal-Resistant IR Network Camera”; Brochure; Sep. 2011; 2 pages.
“True Day/Night Indoor/Outdoor Network PTZ Cameras”; Honeywell; Aug. 2014; 16 pages.
“Spectra® Enhanced Series IP Dome System”; Product Specification; Camera Solutions; May 19, 2015; 6 pages.

* cited by examiner

Primary Examiner — Philip S Hyder
Assistant Examiner — Ramzi Almatrahi
(74) *Attorney, Agent, or Firm* — Klarquist Sparkman, LLP

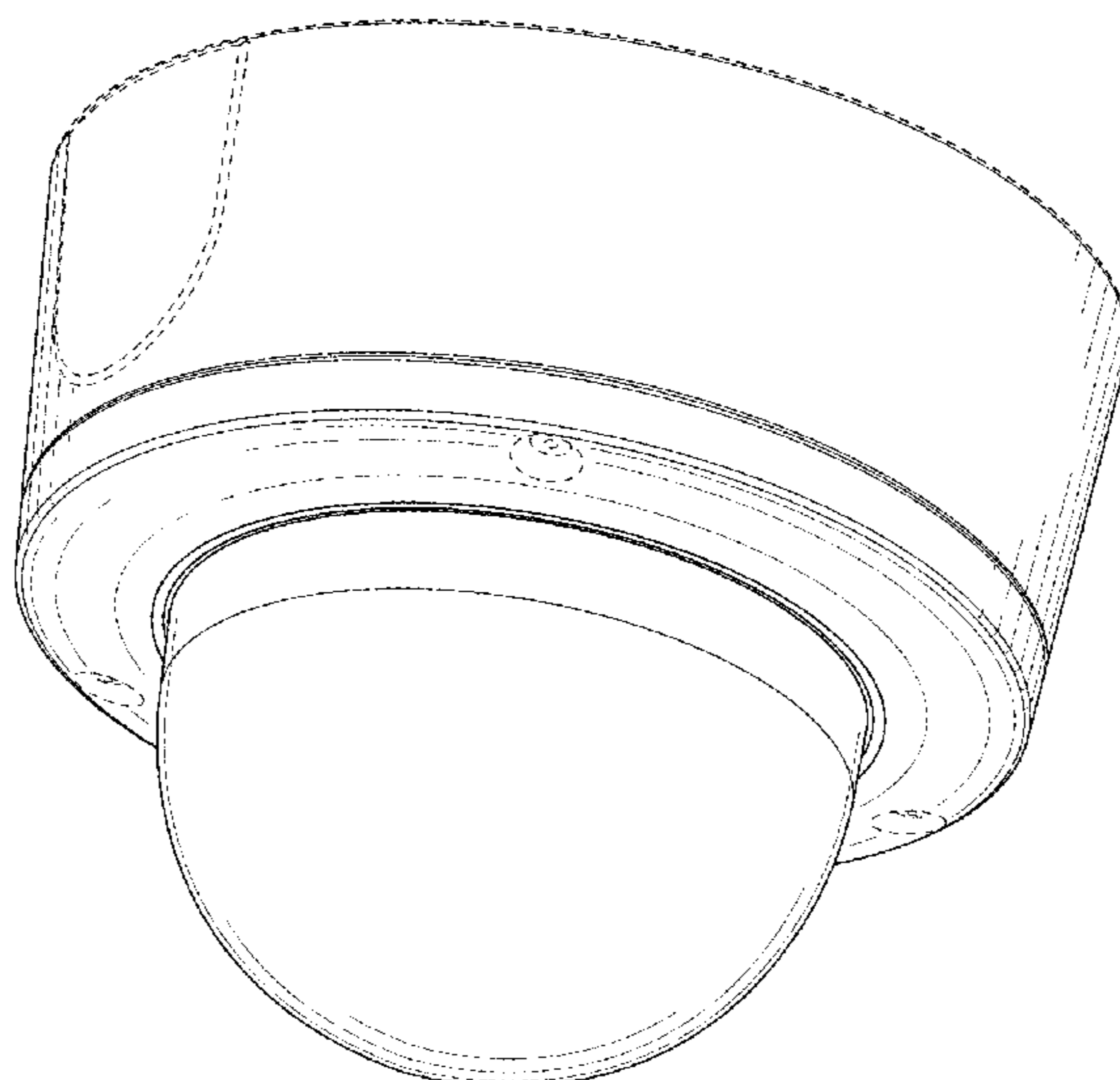
(57) **CLAIM**

I claim the ornamental design for a dome camera, as shown and described.

DESCRIPTION

FIG. 1 is a bottom perspective view of a dome camera showing my new design;
FIG. 2 is a bottom plan view thereof;
FIG. 3 is a top plan view thereof;
FIG. 4 is a right side elevation view thereof;
FIG. 5 is a left side elevation view thereof;
FIG. 6 is a front elevation view thereof; and,
FIG. 7 is a back elevation view thereof.
The broken lines depict portions of the dome camera in which the design is embodied that form no part of the claimed design.

1 Claim, 4 Drawing Sheets



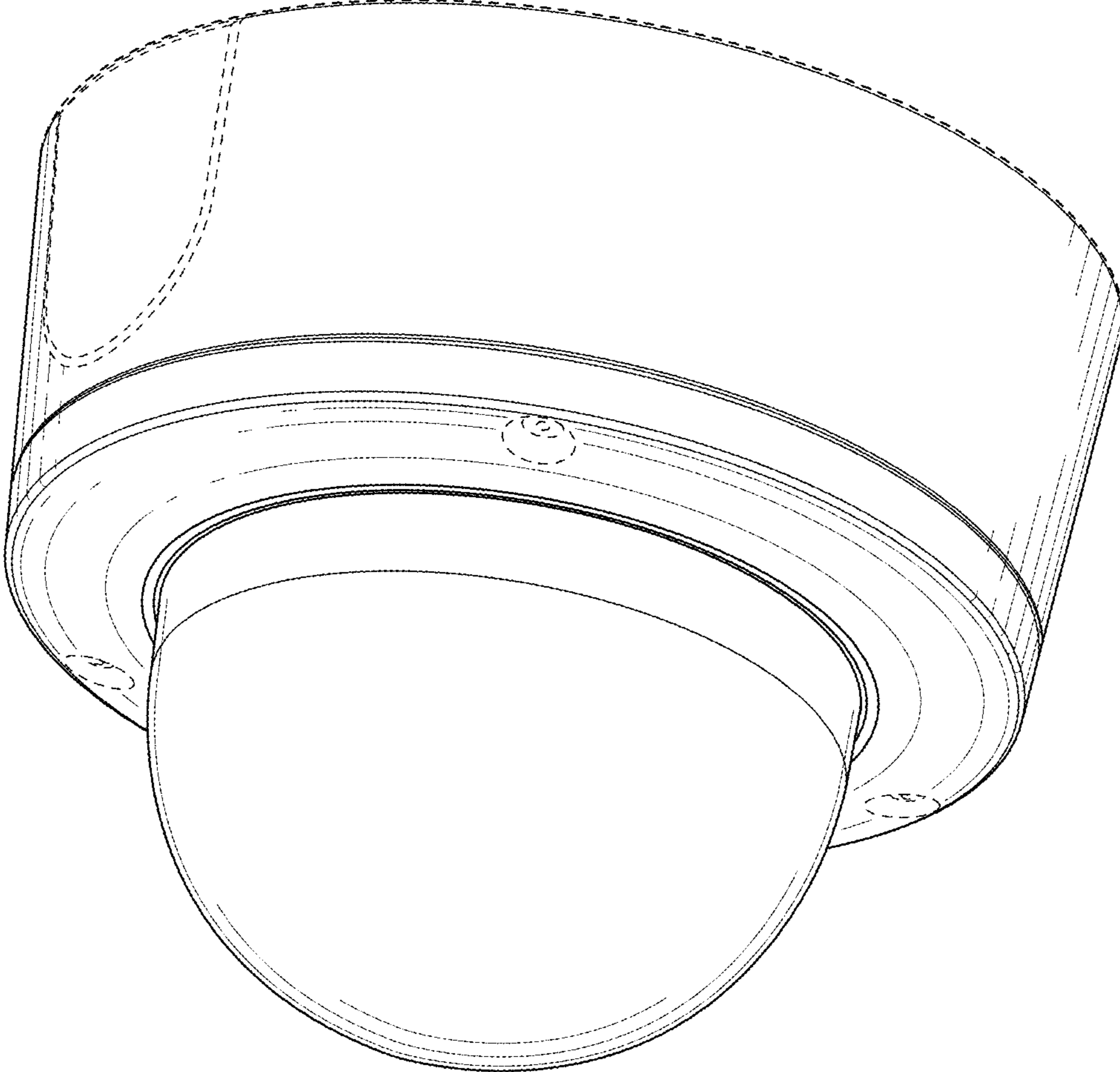


Fig. 1

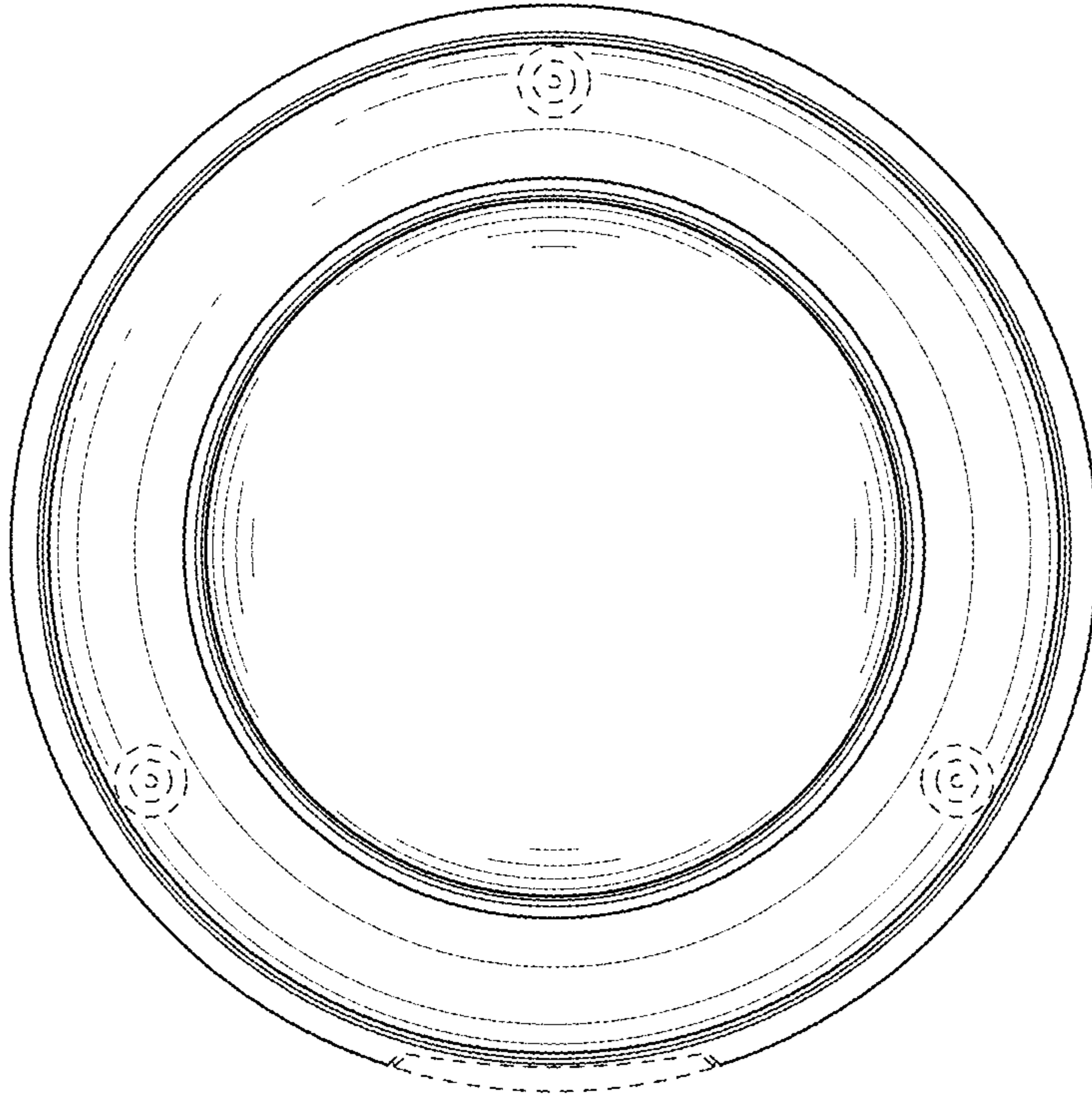


Fig. 2

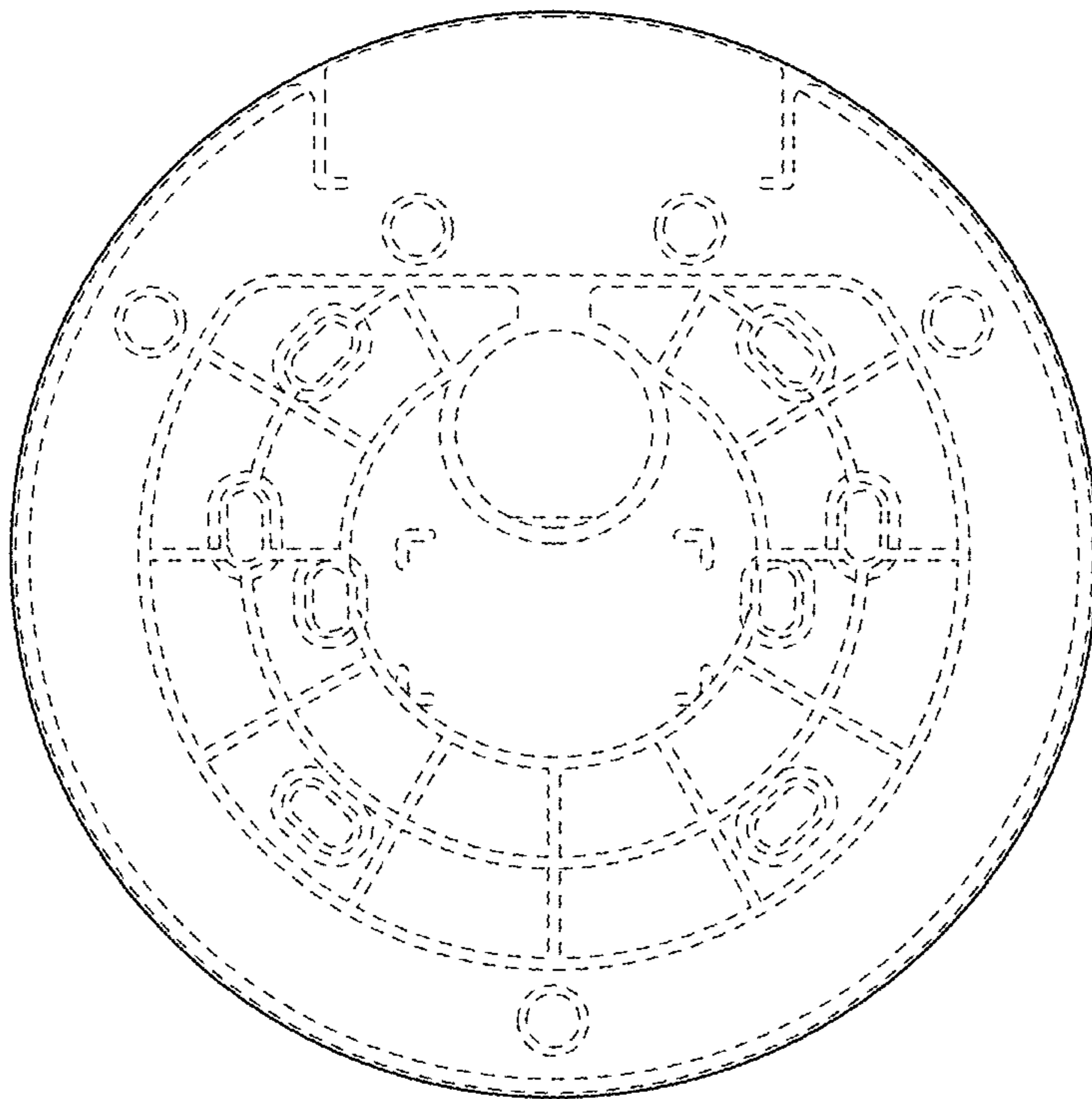


Fig. 3

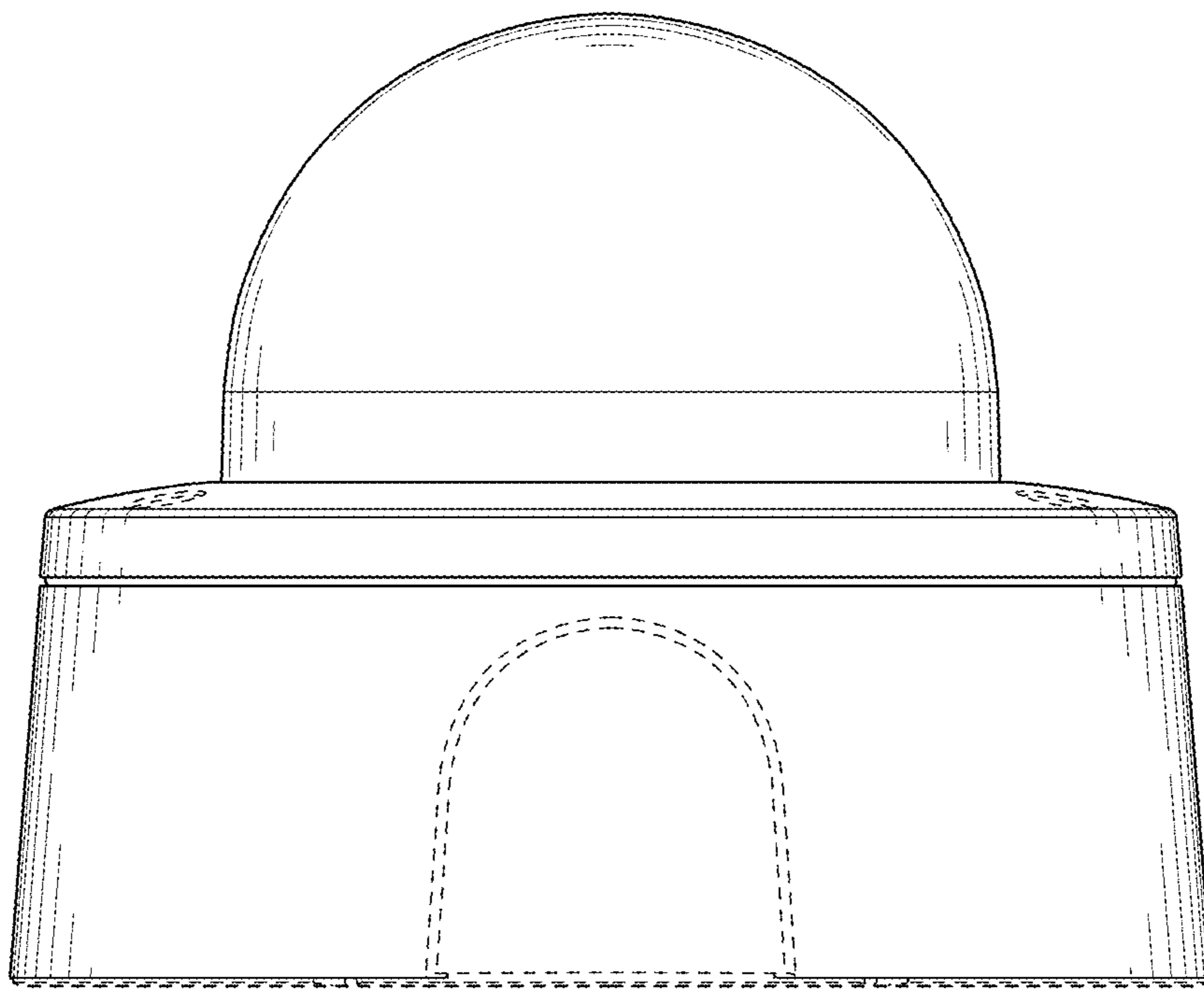


Fig. 4

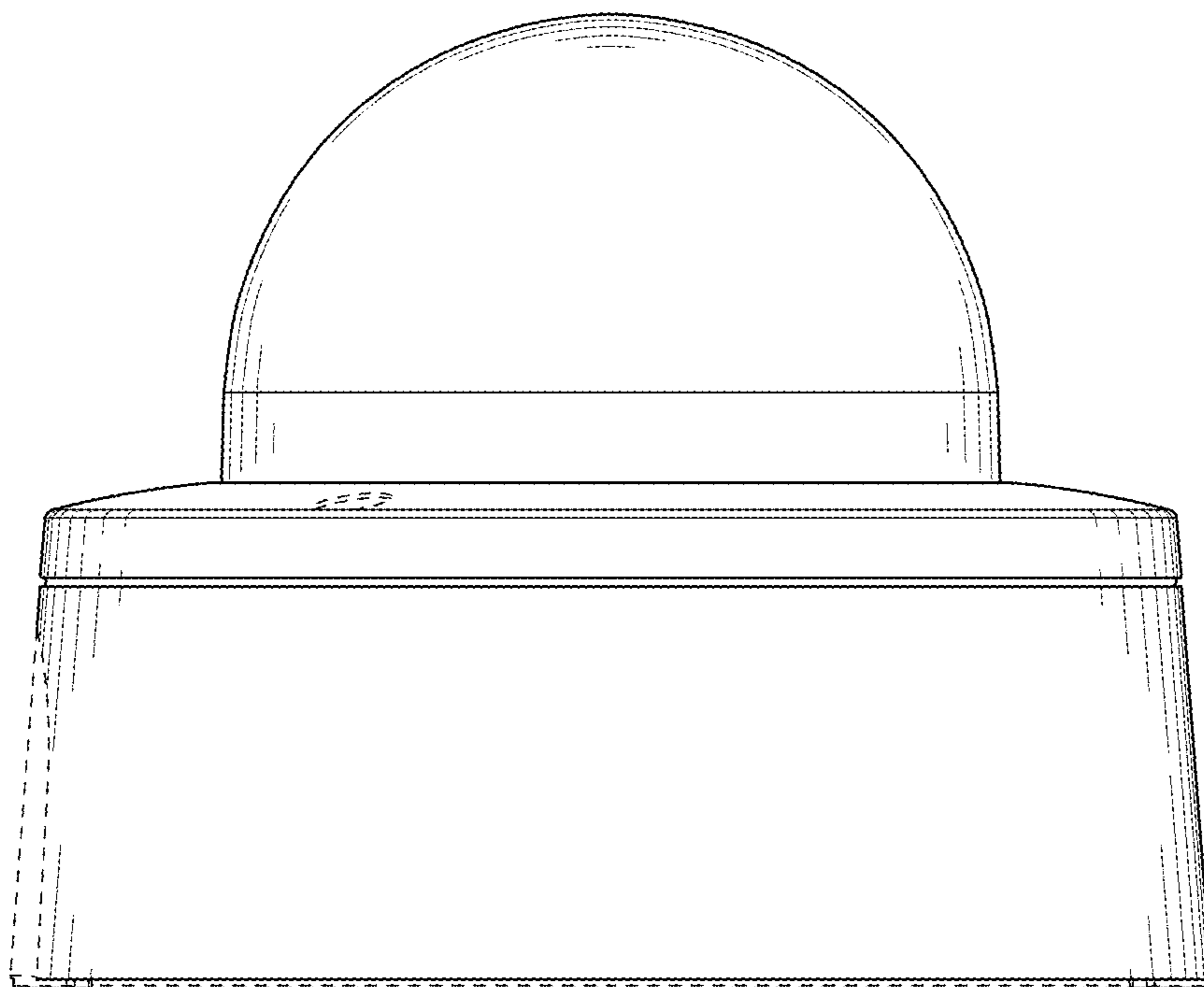


Fig. 5

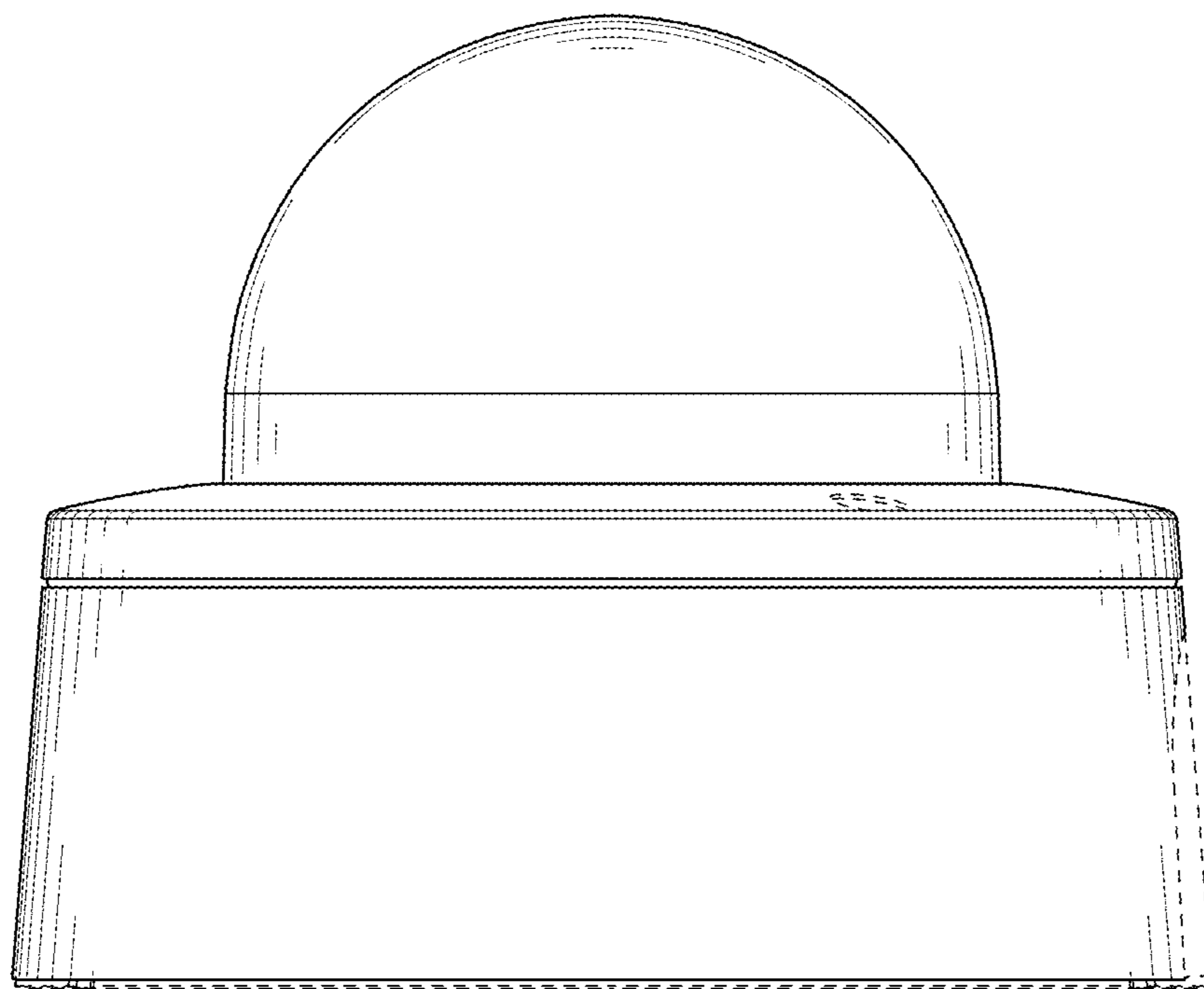


Fig. 6

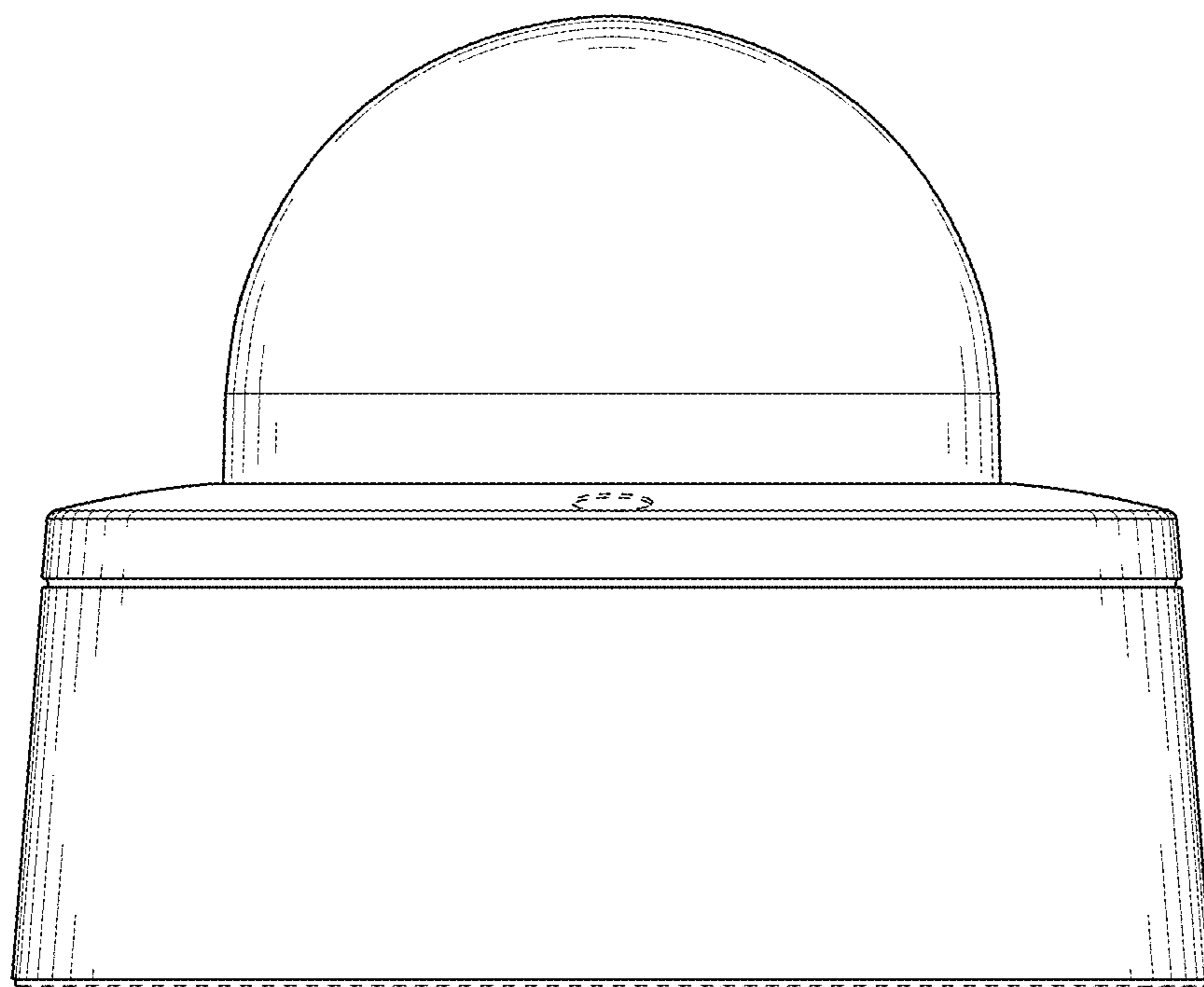


Fig. 7