



US00D798933S

(12) **United States Design Patent** (10) **Patent No.:** **US D798,933 S**
Little (45) **Date of Patent:** **** Oct. 3, 2017**

(54) **DOME CAMERA**
(71) Applicant: **Avigilon Corporation**, Vancouver (CA)
(72) Inventor: **Eric Little**, Vancouver (CA)
(73) Assignee: **Avigilon Corporation**, Vancouver (CA)
(**) Term: **15 Years**

D690,345 S * 9/2013 Seo D16/203
D740,870 S * 10/2015 Park D16/203
D742,447 S 11/2015 Stark et al.
D753,753 S * 4/2016 Moon D16/203
D786,330 S * 5/2017 Tasselli D16/203
2012/0106942 A1* 5/2012 Mukai G03B 37/00
396/427

(21) Appl. No.: **29/571,916**
(22) Filed: **Jul. 22, 2016**
(51) **LOC (10) Cl.** **16-01**
(52) **U.S. Cl.**
USPC **D16/203**; D16/219
(58) **Field of Classification Search**
USPC D16/200, 202–206, 218, 219, 242;
348/143, 148, 151, 373–376; 396/419,
396/427, 535, 539–541
CPC G03B 17/02; G03B 19/04; G03B 17/56;
G03B 17/04; G03B 15/03; H04N 5/2251;
H04N 5/2252; H04N 5/2253; H04N
5/2254; H04N 7/181; H04N 7/183; H04N
7/18; G08B 13/1963; G08B 13/19619;
G08B 13/19632; F16M 11/04; F16M
13/00

See application file for complete search history.

(56) **References Cited**
U.S. PATENT DOCUMENTS
6,678,001 B1 * 1/2004 Elberbaum G08B 13/19619
348/373
6,715,940 B2 * 4/2004 Top G08B 13/1963
348/143
D556,236 S * 11/2007 Kim D16/202
D615,114 S * 5/2010 Arnold D16/203
D615,115 S * 5/2010 Arnold D16/203
D636,804 S * 4/2011 Anneback D16/203
D650,410 S * 12/2011 Helaoui D16/203
D688,720 S * 8/2013 Yilin D16/203

OTHER PUBLICATIONS

“Tough HD; 1.3 MP HD Vandal-Resistant IR Network Camera”;
Brochure; Sep. 2011; 2 pages.
“True Day/Night Indoor/Outdoor Network PTZ Cameras”;
Honeywell; Aug. 2014; 16 pages.
“Spectra® Enhanced Series IP Dome System”; Product Specifica-
tion; Camera Solutions; May 19, 2015; 6 pages.

* cited by examiner

Primary Examiner — Philip S Hyder
Assistant Examiner — Ramzi Almatrahi
(74) *Attorney, Agent, or Firm* — Klarquist Sparkman,
LLP

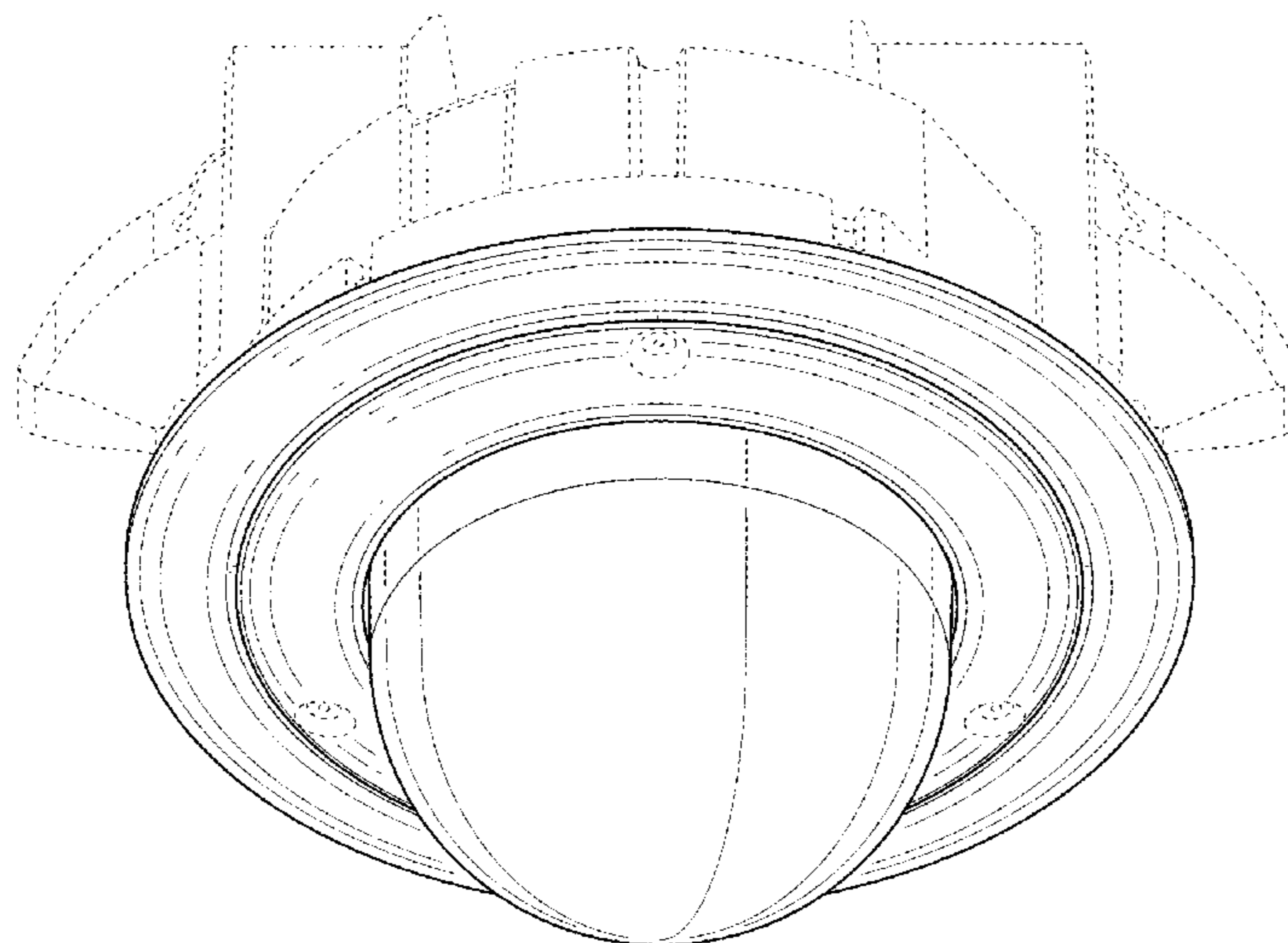
(57) **CLAIM**

I claim the ornamental design for a dome camera, as shown
and described.

DESCRIPTION

FIG. 1 is a bottom perspective view of a dome camera
showing my new design;
FIG. 2 is a bottom plan view thereof;
FIG. 3 is a top plan view thereof;
FIG. 4 is a right side elevation view thereof;
FIG. 5 is a left side elevation view thereof;
FIG. 6 is a front elevation view thereof; and,
FIG. 7 is a back elevation view thereof.
The broken lines depict portions of the dome camera in
which the design is embodied that form no part of the
claimed design.

1 Claim, 7 Drawing Sheets



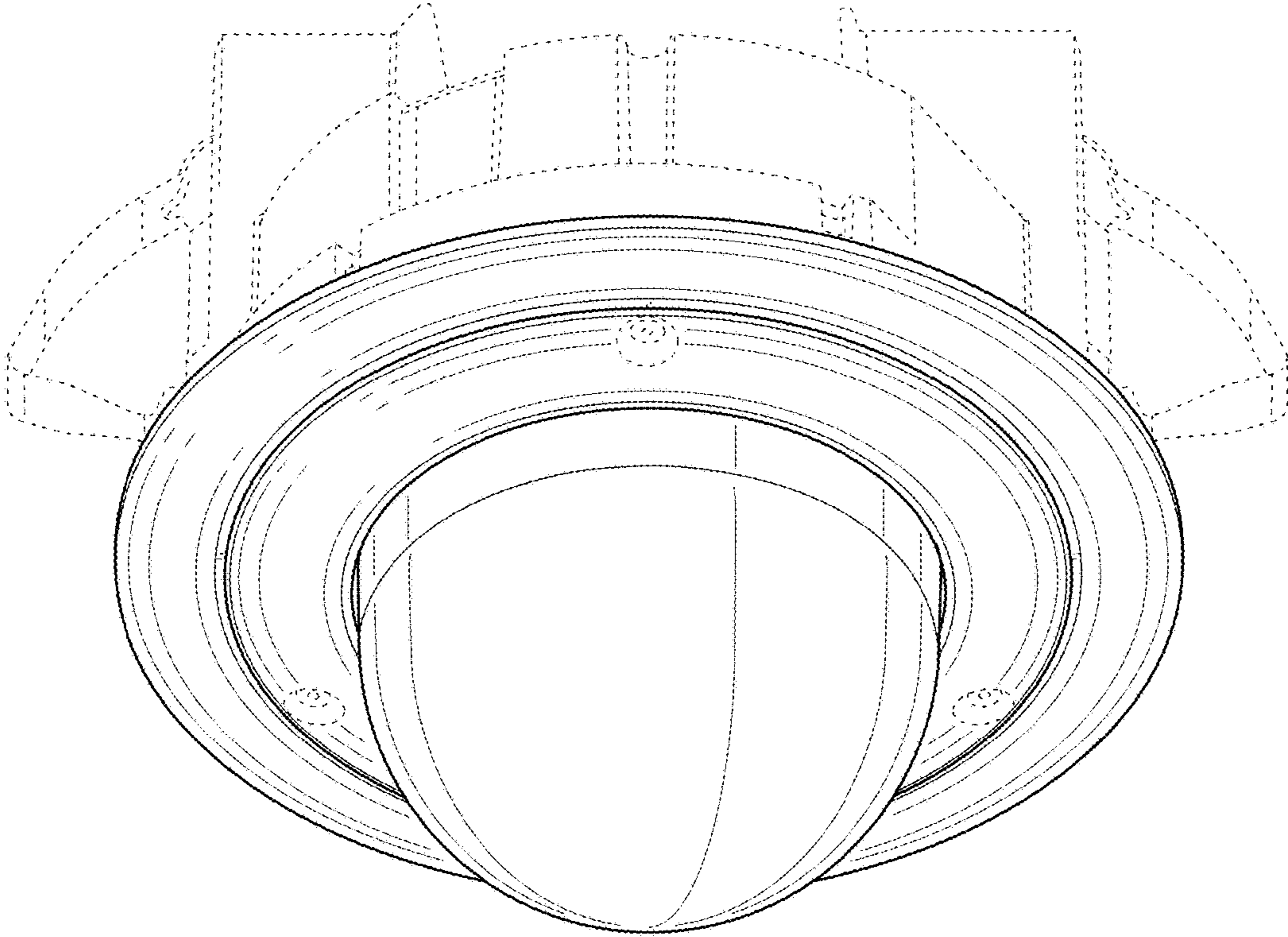


Fig. 1

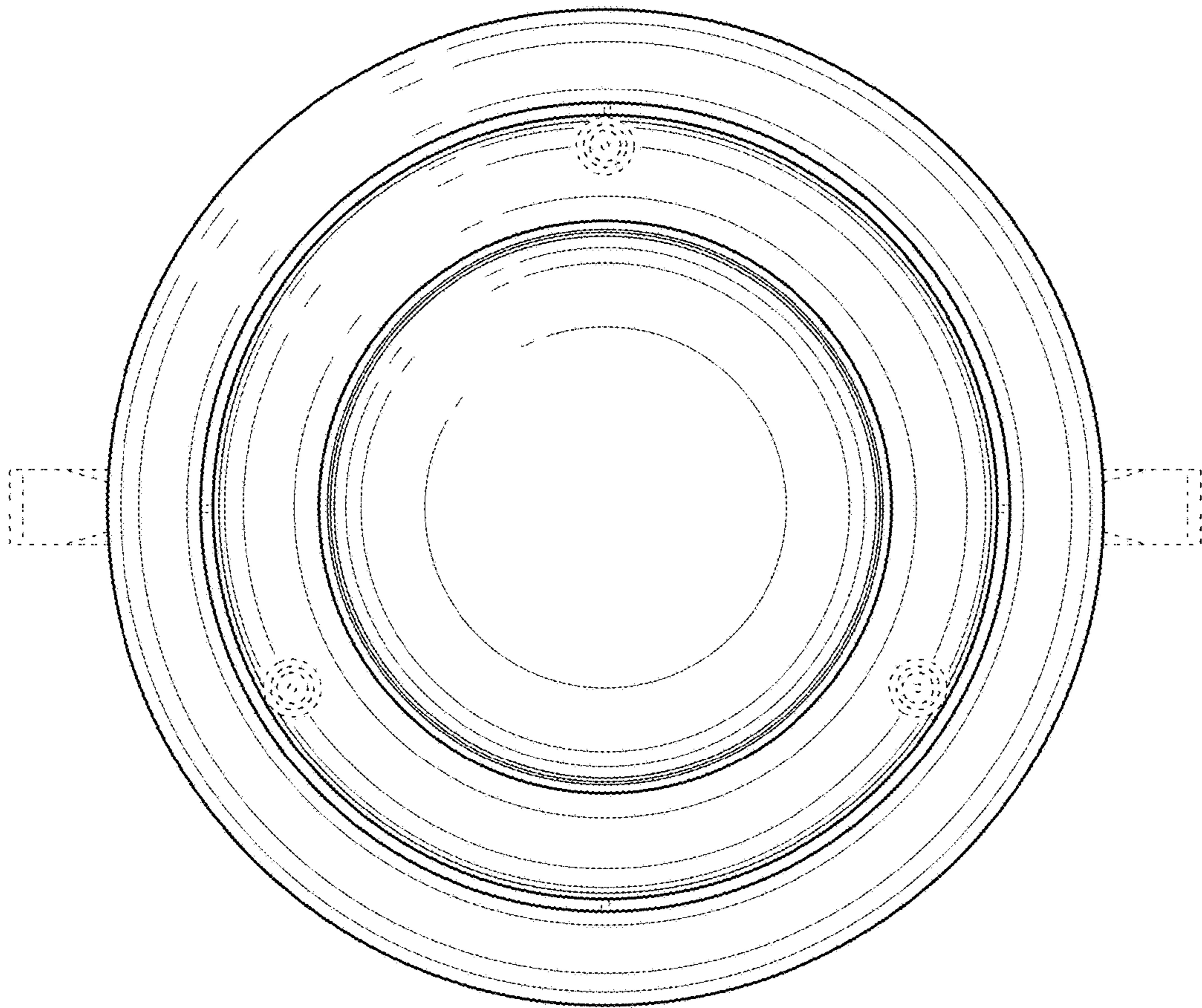


Fig. 2

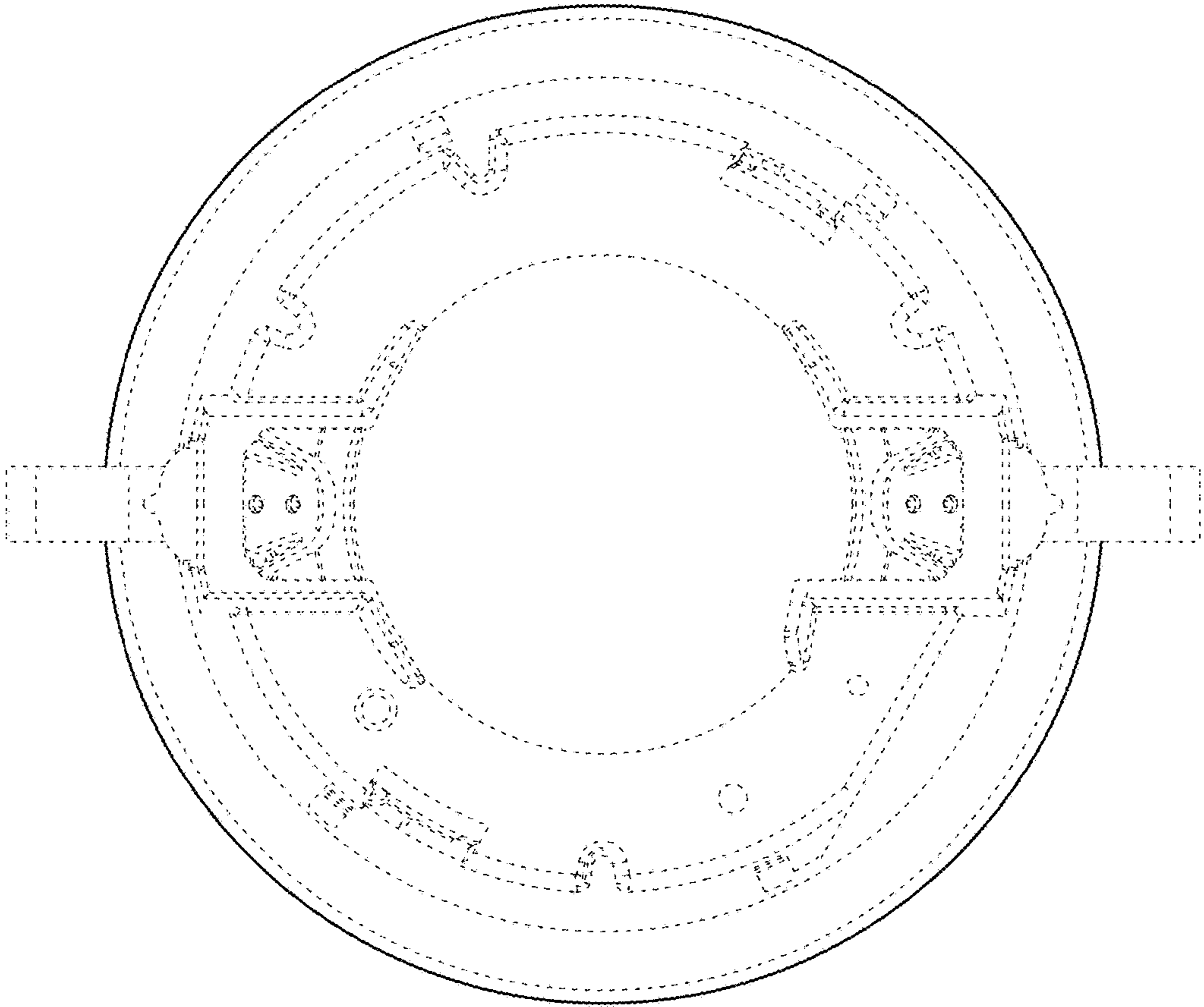


Fig. 3

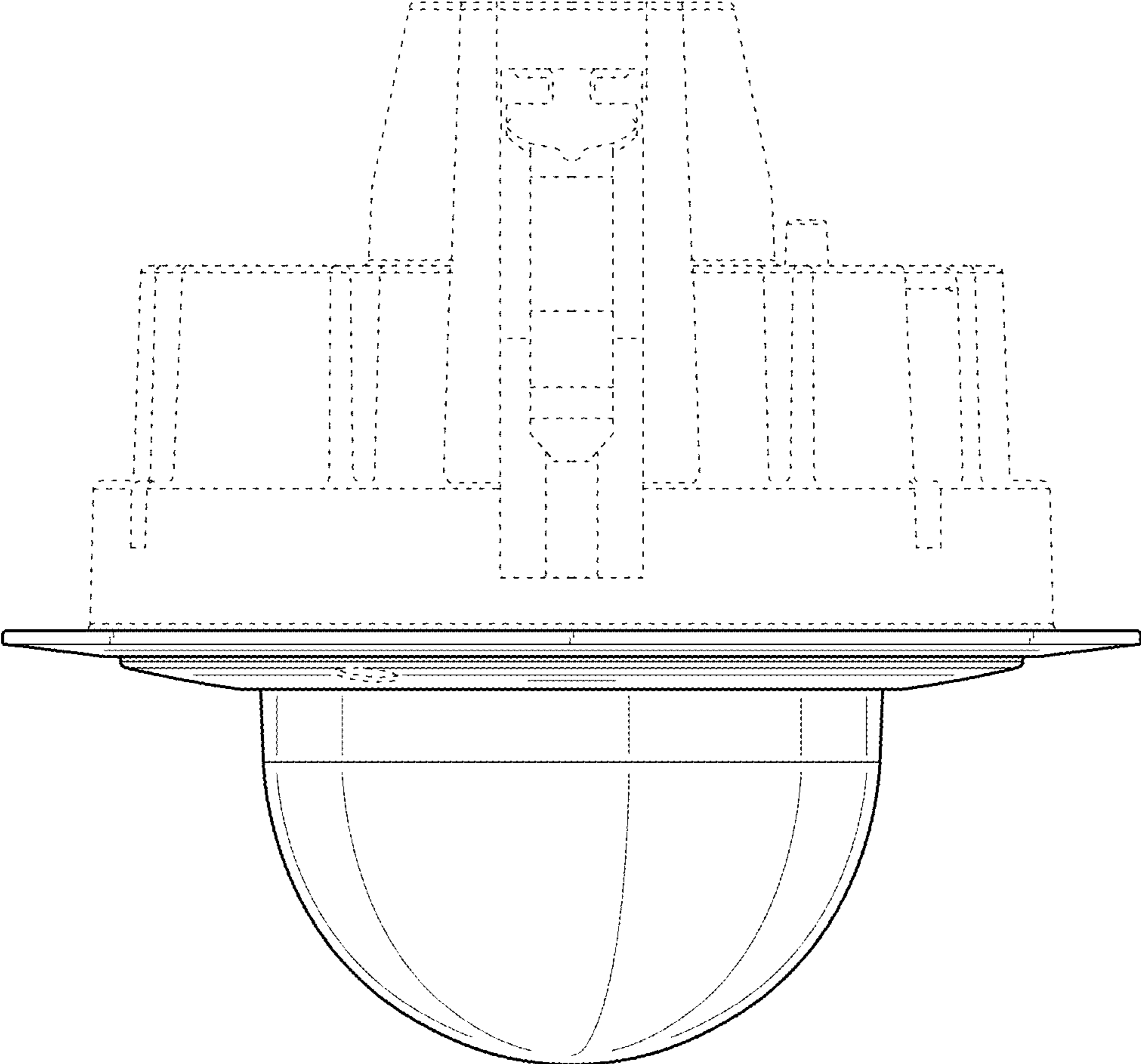


Fig. 4

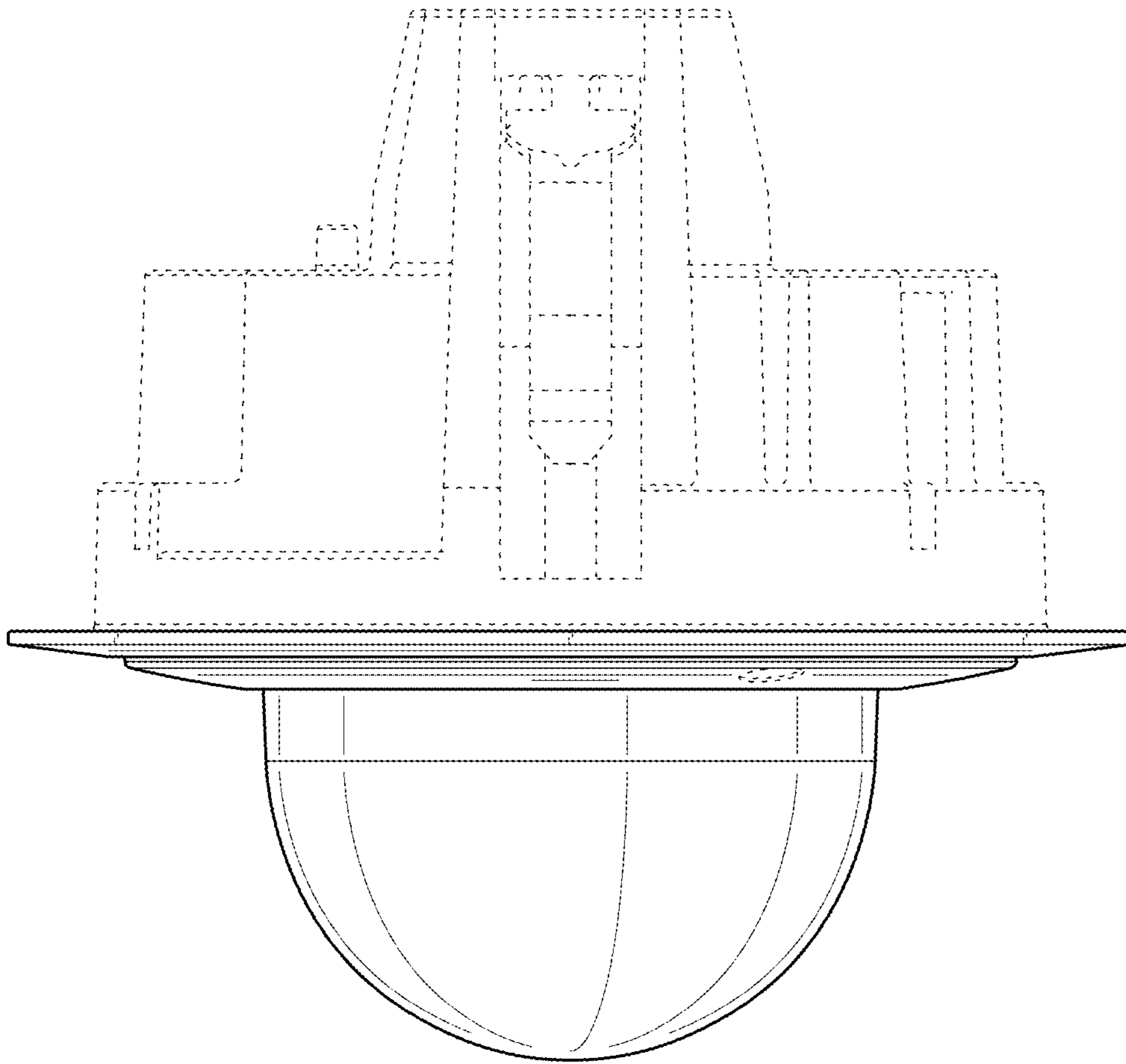


Fig. 5

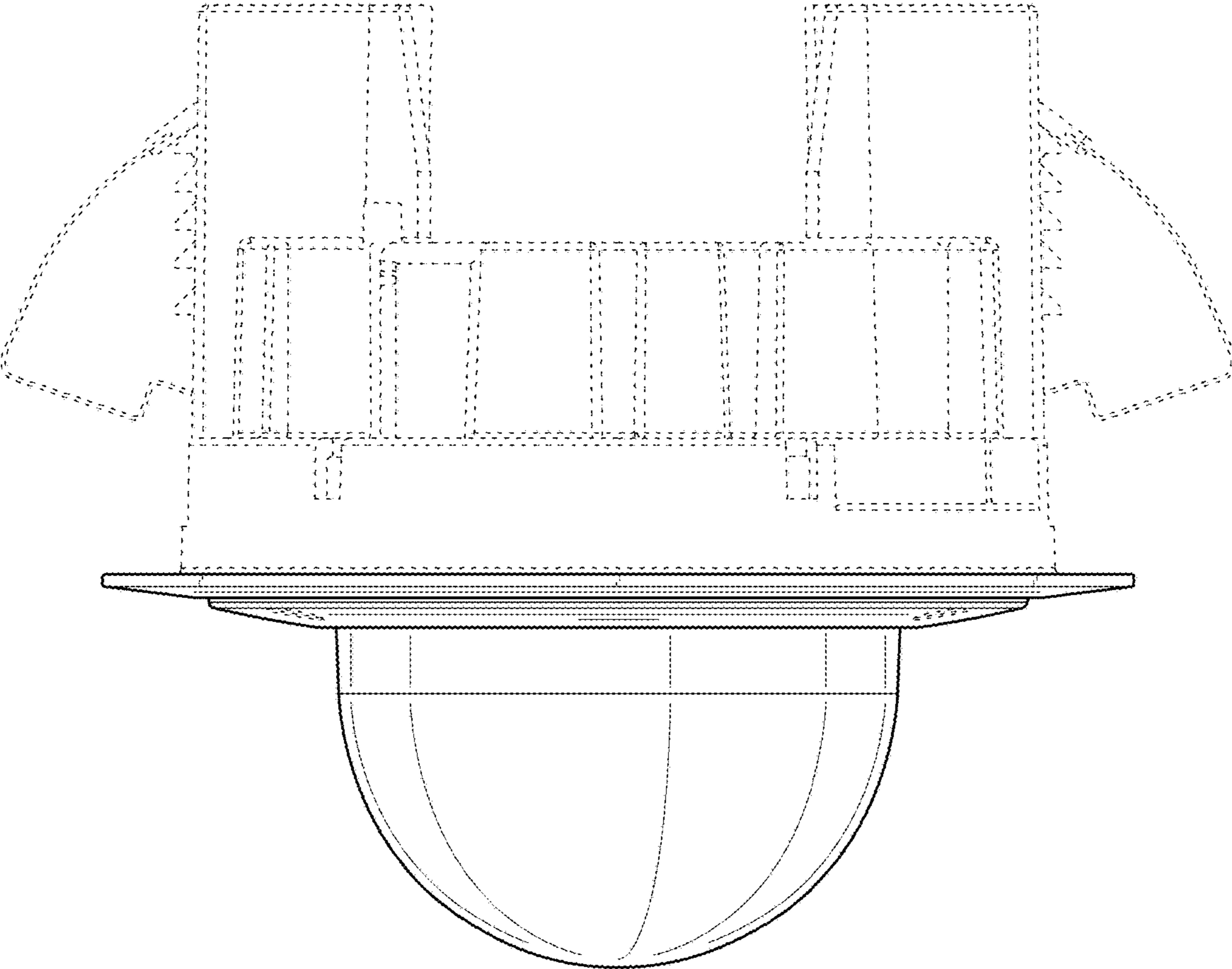


Fig. 6

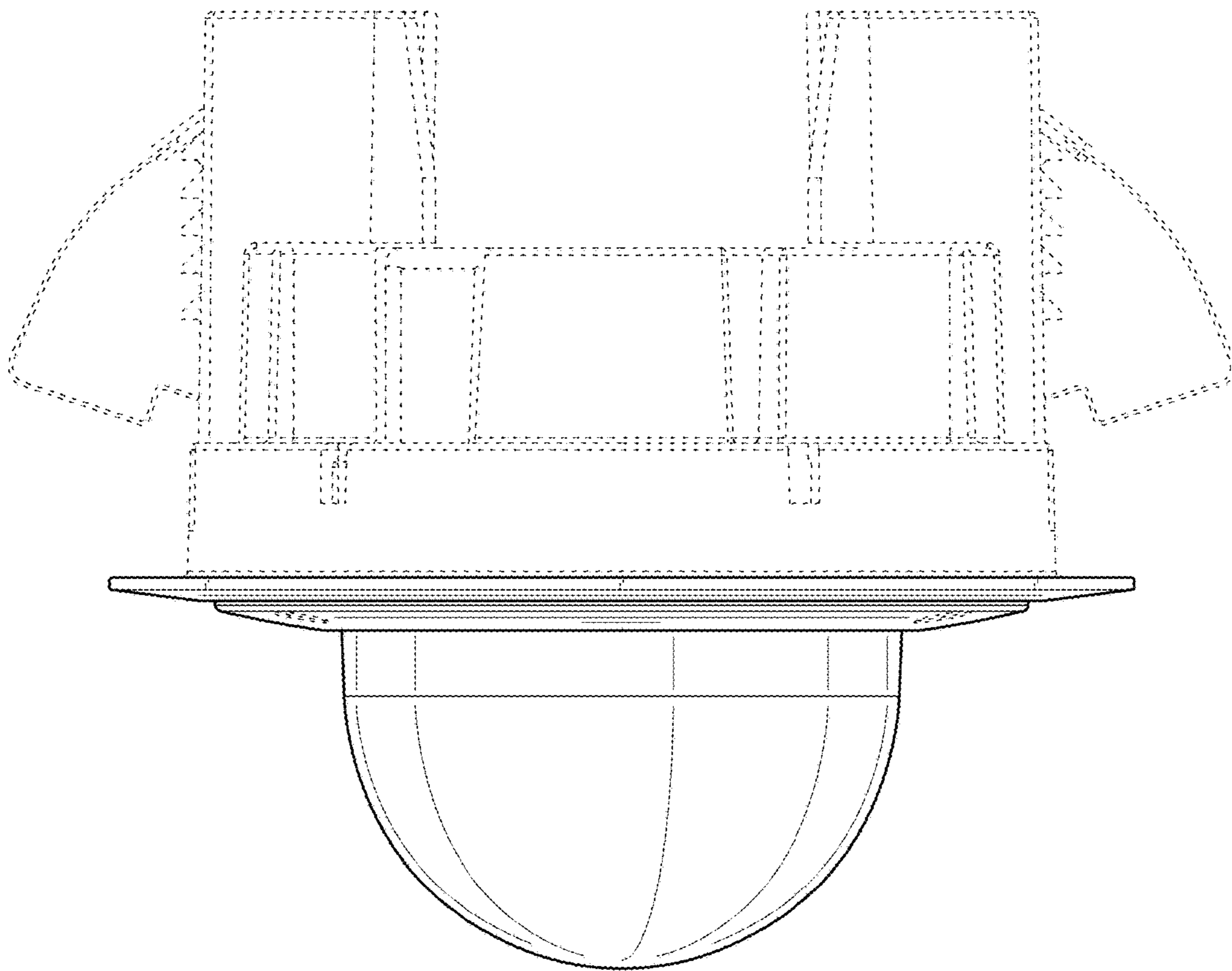


Fig. 7