



US00D798932S

(12) **United States Design Patent** (10) **Patent No.:** **US D798,932 S**
Katori et al. (45) **Date of Patent:** **** Oct. 3, 2017**

(54) **SURVEILLANCE CAMERA**

(71) Applicant: **Panasonic Intellectual Property Management Co., Ltd.**, Osaka-shi, Osaka (JP)
(72) Inventors: **Takehito Katori**, Kyoto (JP); **Takeshi Jobetto**, Osaka (JP); **Takashi Tsukahara**, Osaka (JP); **Naoya Tsukamoto**, Tokyo (JP)
(73) Assignee: **PANASONIC INTELLECTUAL PROPERTY MANAGEMENT CO., LTD.**, Osaka (JP)

(**) Term: **15 Years**
(21) Appl. No.: **29/566,233**
(22) Filed: **May 27, 2016**

(30) **Foreign Application Priority Data**
Nov. 27, 2015 (JP) 2015-026454
Apr. 22, 2016 (JP) 2016-008900
(51) **LOC (10) Cl.** **16-01**
(52) **U.S. Cl.**
USPC **D16/203**
(58) **Field of Classification Search**
USPC D14/130, 144, 132; D16/200–220, 242, D16/238; D26/24, 36, 72, 79, 123;
(Continued)

(56) **References Cited**
U.S. PATENT DOCUMENTS
D340,253 S 10/1993 Fedorczak
D594,497 S 6/2009 Hatori et al.
(Continued)

FOREIGN PATENT DOCUMENTS
EM 003147024-0001 * 5/2016
EM 003147024-0002 * 5/2016

OTHER PUBLICATIONS

Panasonic AeroPTZ, announced Feb. 23, 2016, [site visited Apr. 10, 2017], Available from Internet, URL: <https://web.archive.org/web/20160223095928/http://www.securityinfowatch.com/product/12172748/panasonic-panasonic-aeroptz-network-camera>.*

(Continued)

Primary Examiner — Barbara Fox
Assistant Examiner — Mary C Ramirez
(74) *Attorney, Agent, or Firm* — Brinks Gilson & Lione

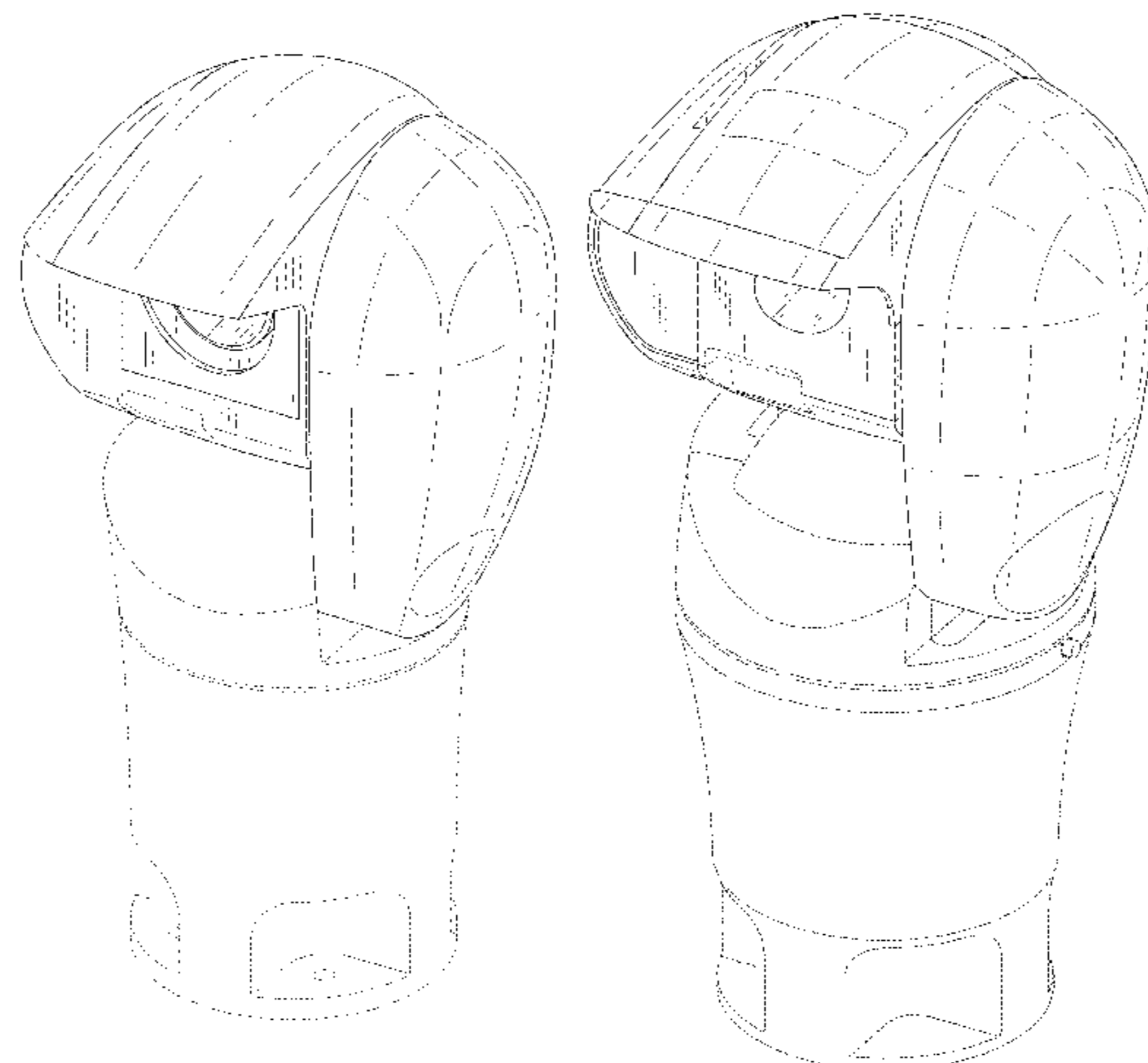
(57) **CLAIM**

We claim the ornamental design for a surveillance camera, as shown and described.

DESCRIPTION

FIG. 1 is a front and top perspective view of a surveillance camera showing a first embodiment of the present invention; FIG. 2 is a rear and top perspective view thereof; FIG. 3 is a front view thereof; FIG. 4 is a rear view thereof; FIG. 5 is a first side view thereof; FIG. 6 is a second side view thereof; FIG. 7 is a top view thereof; and, FIG. 8 is a bottom view thereof. FIG. 9 is a front and top perspective view of a surveillance camera showing a second embodiment of the present invention; FIG. 10 is a rear and top perspective view thereof; FIG. 11 is a front view thereof; FIG. 12 is a rear view thereof; FIG. 13 is a first side view thereof; FIG. 14 is a second side view thereof; FIG. 15 is a top view thereof; and, FIG. 16 is a bottom view thereof. The broken lines shown in the drawings illustrate portions of the security camera that form no part of the claimed design.

1 Claim, 16 Drawing Sheets



(58) **Field of Classification Search**

USPC D10/104.1, 104.2, 106.1, 106.2, 106.5;
D9/548, 560, 572, 574, 430, 431;
D29/109-110
CPC H04N 7/181; H04N 7/183; H04N 7/18;
H04N 3/08; H04N 5/23248; H04N
5/23287; H04N 5/23258; H04N 5/2251;
H04N 5/2252; H04N 2007/145; G01C
11/025; G03B 15/00; G03B 15/03; G03B
17/56; G03B 17/02; G03B 17/30; G03B
17/04; G03B 17/00; G03B 19/04; G03B
3/00; B60R 1/00; B60R 2300/105; G08B
13/19619; G08B 13/1963; G08B
13/19632; F16M 11/04; F16M 13/00;
Y02E 60/12

See application file for complete search history.

(56) **References Cited**

U.S. PATENT DOCUMENTS

D649,175	S	11/2011	Willis	
D678,929	S *	3/2013	Hancock	D16/202
D727,991	S *	4/2015	Hasegawa	D16/203
D748,709	S *	2/2016	Jeong	D16/202
D750,684	S *	3/2016	Katori	D16/203
D753,207	S *	4/2016	Katori	D16/203
D776,739	S *	1/2017	Urashima	D16/203

OTHER PUBLICATIONS

Panasonic WV-SUD638, announced Jun. 22, 2016, [site visited Apr. 10, 2017], Available from Internet, URL: <<http://www.integrationmag.it/panasonic-ifsec-2016/>>.*

* cited by examiner

Figure 1

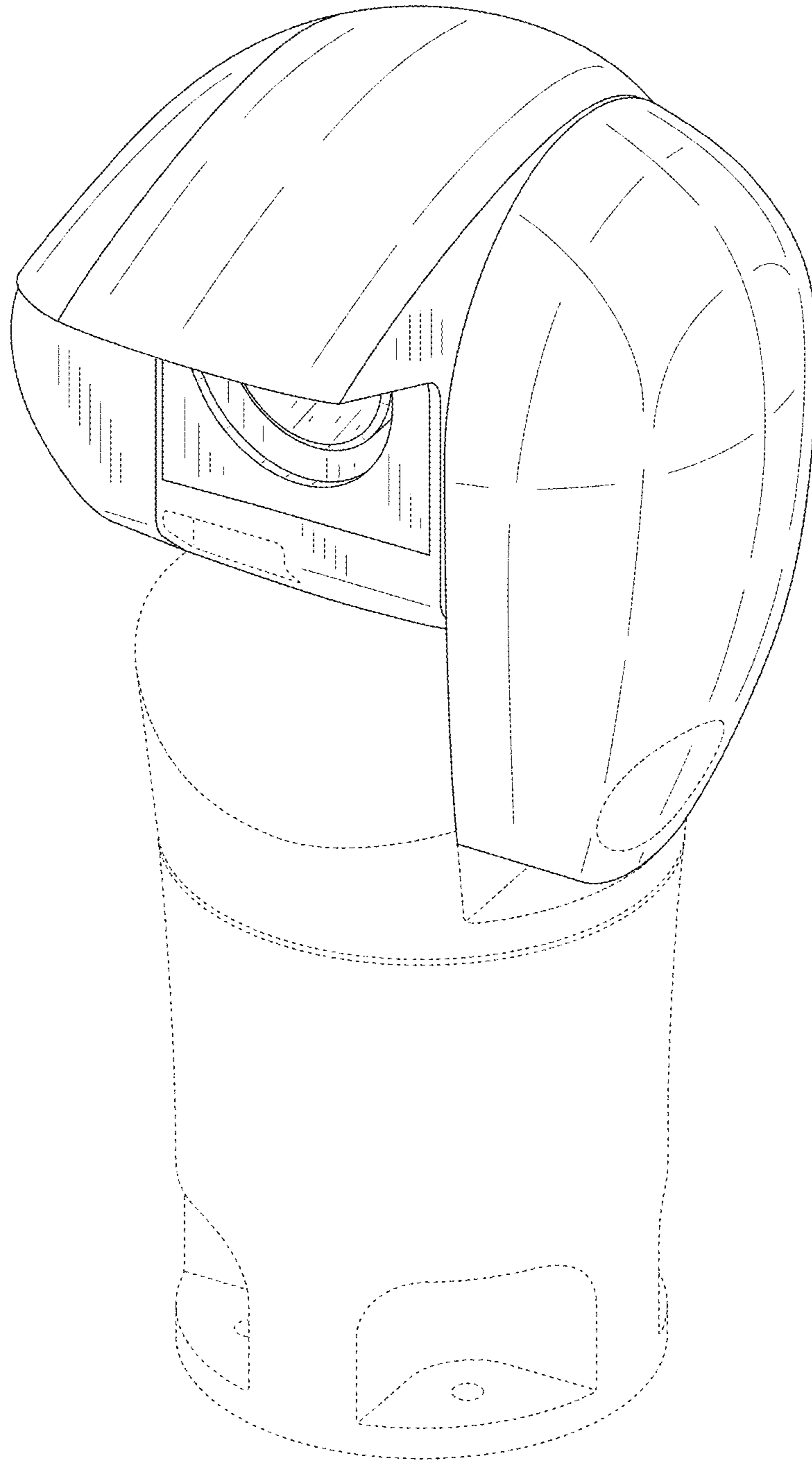


Figure 2

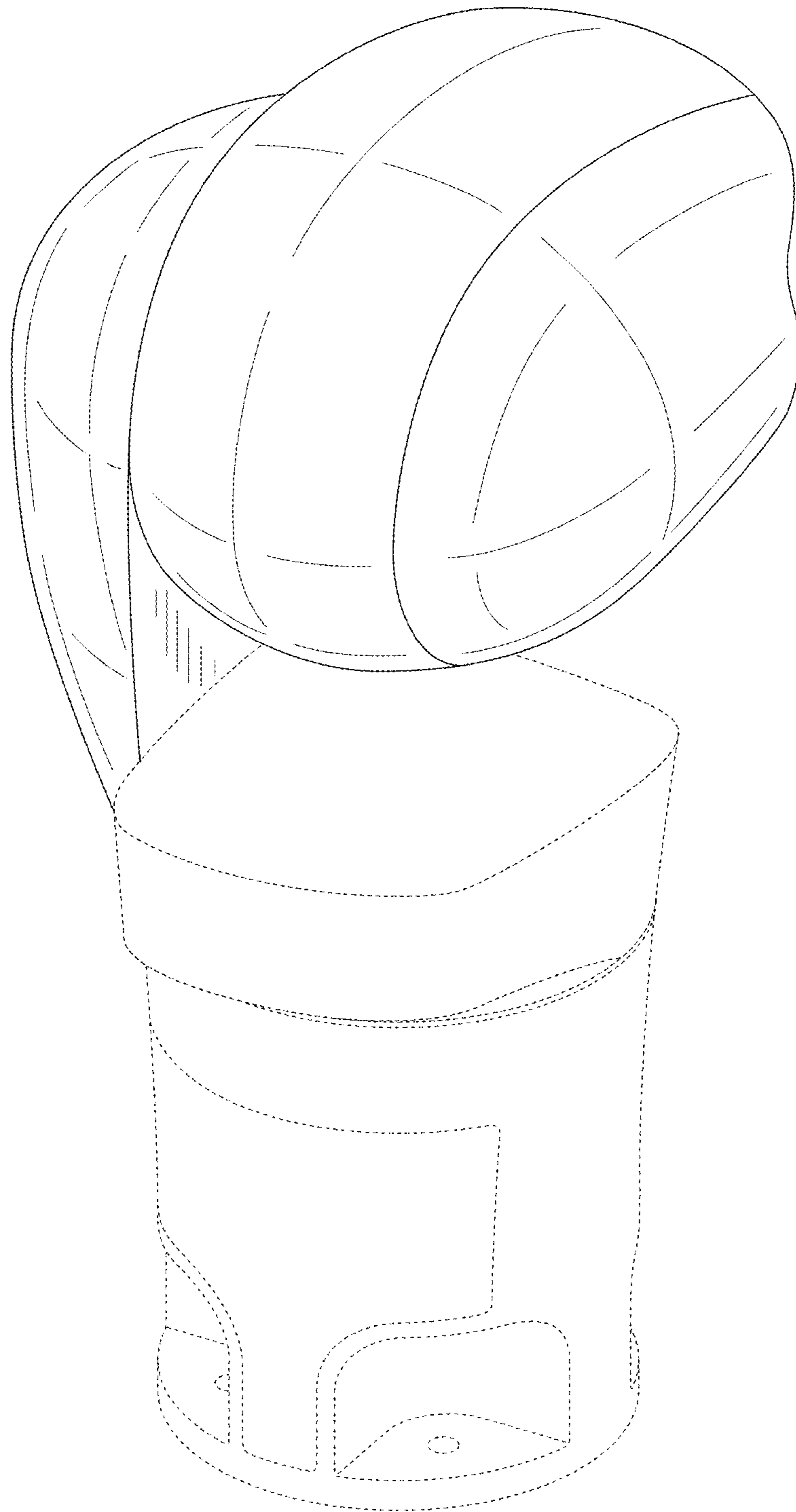


Figure 3

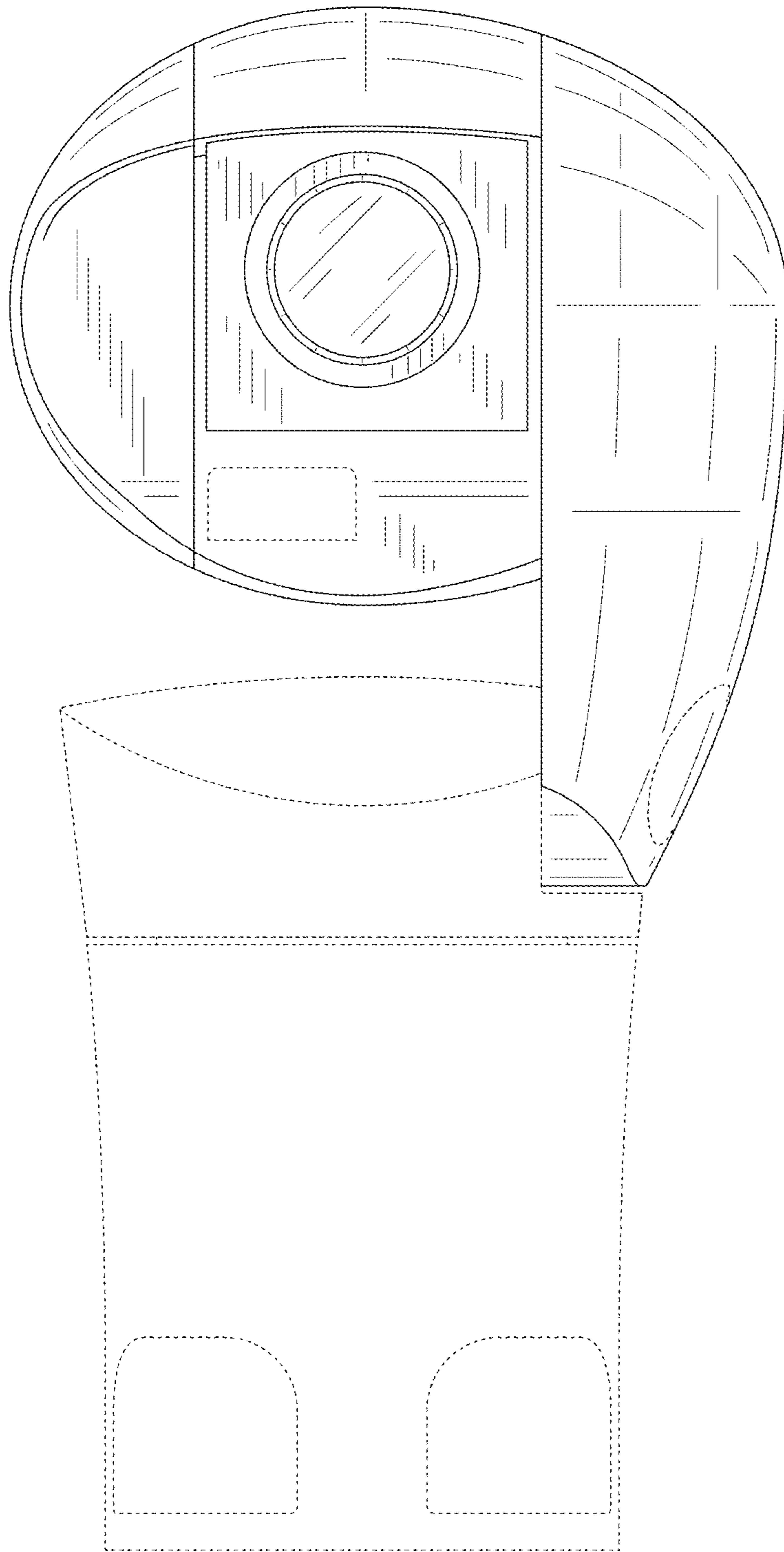


Figure 4

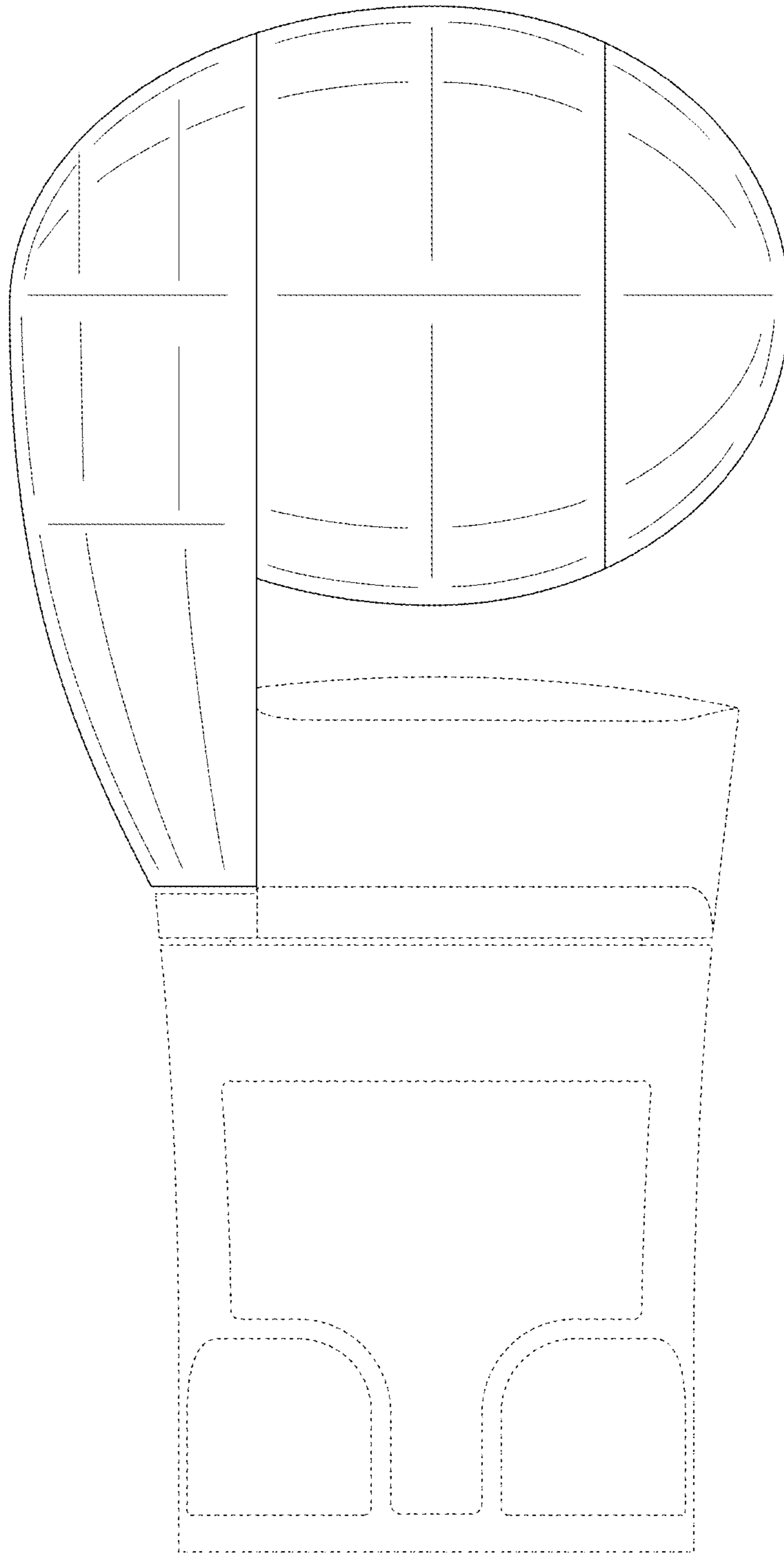


FIG. 5

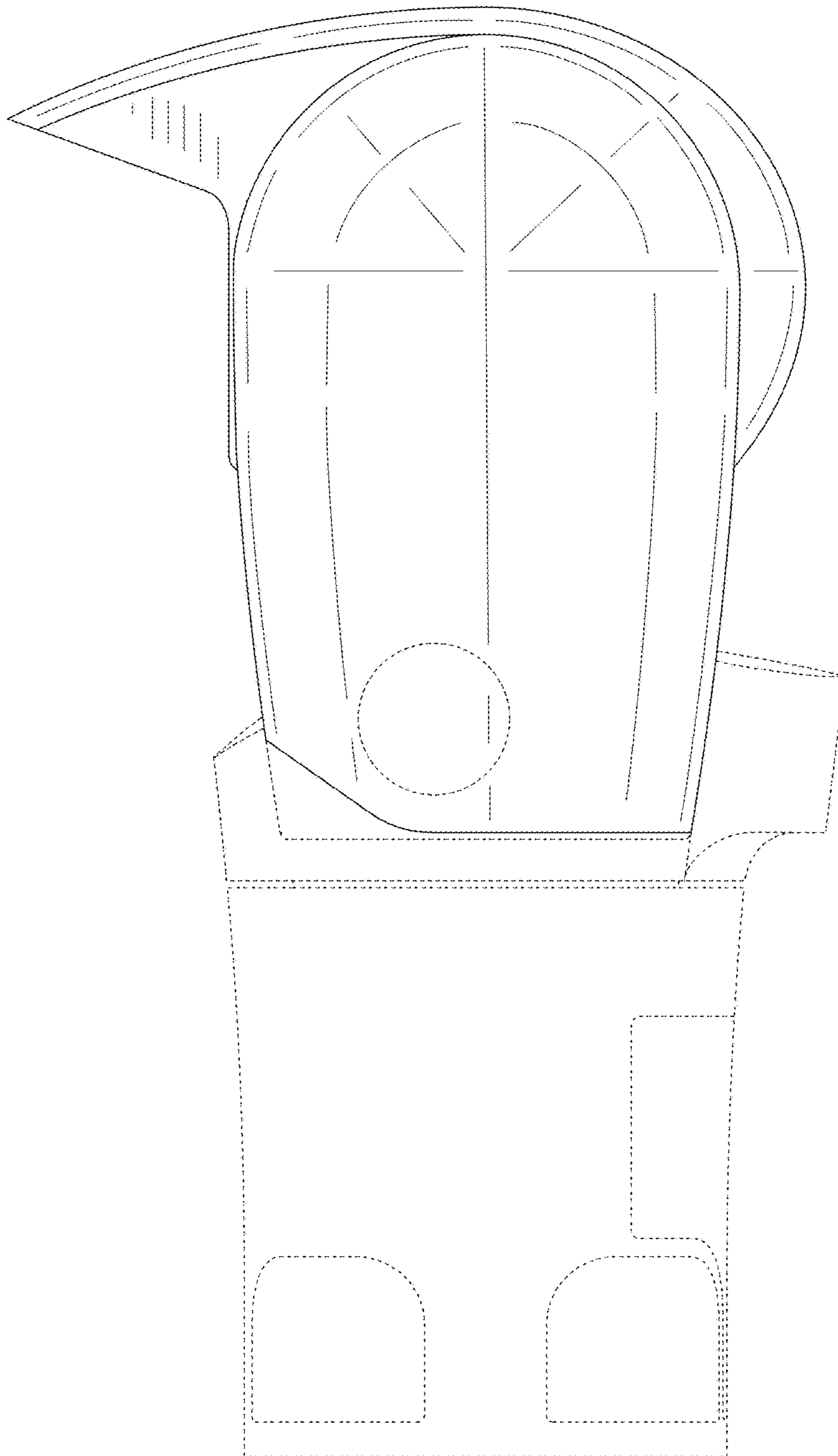


FIG. 6

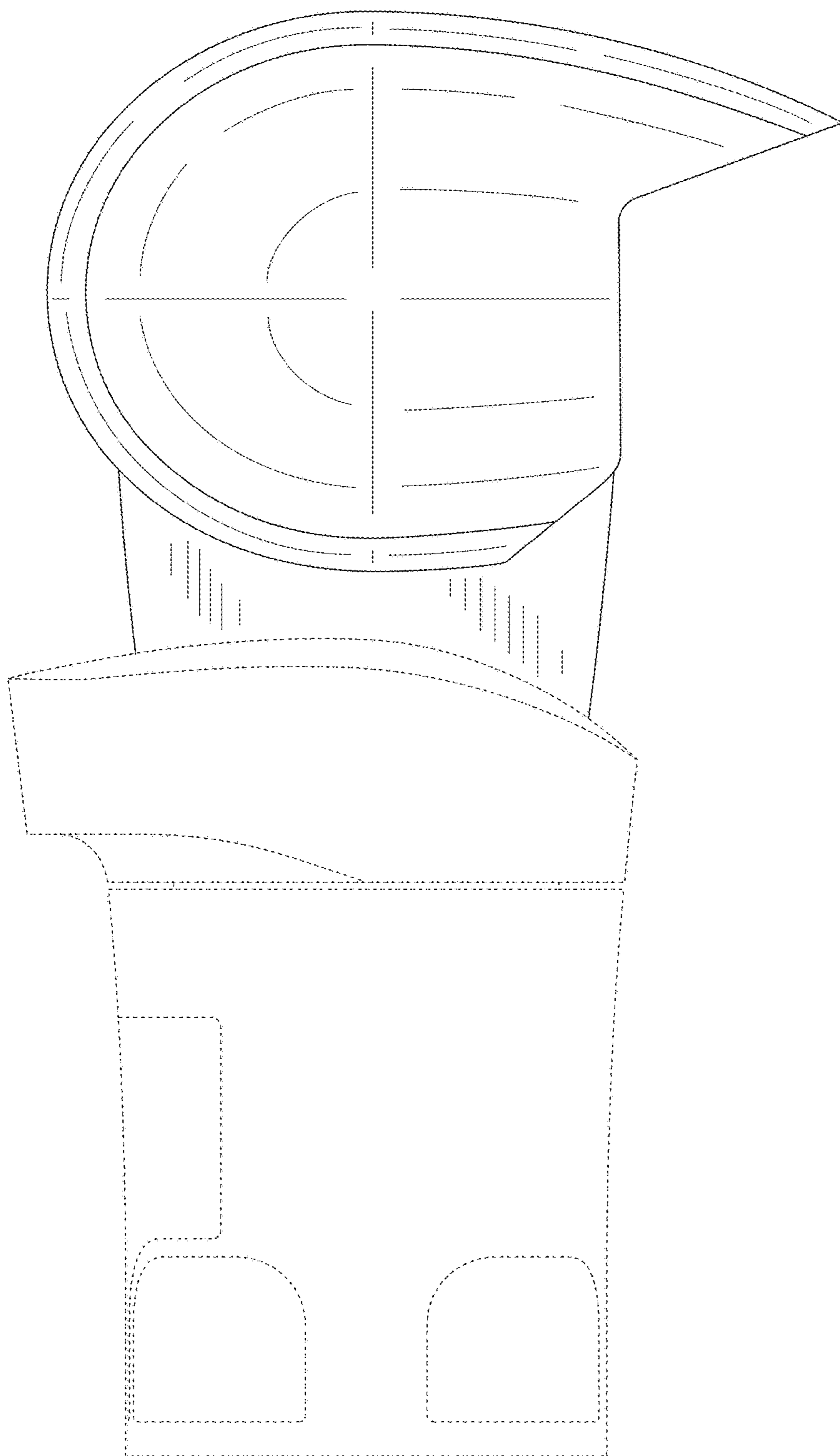


Figure 7

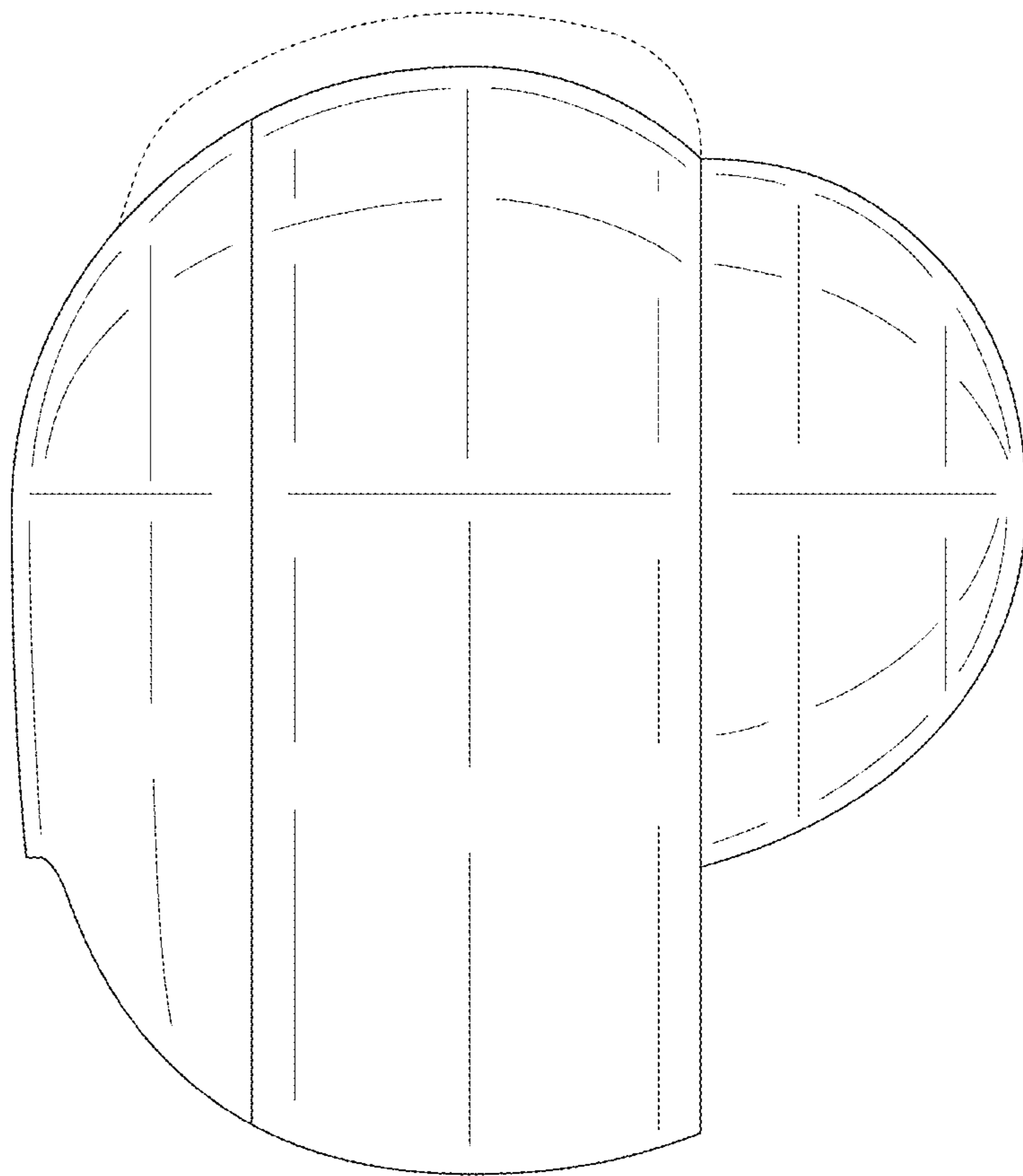


FIG. 8

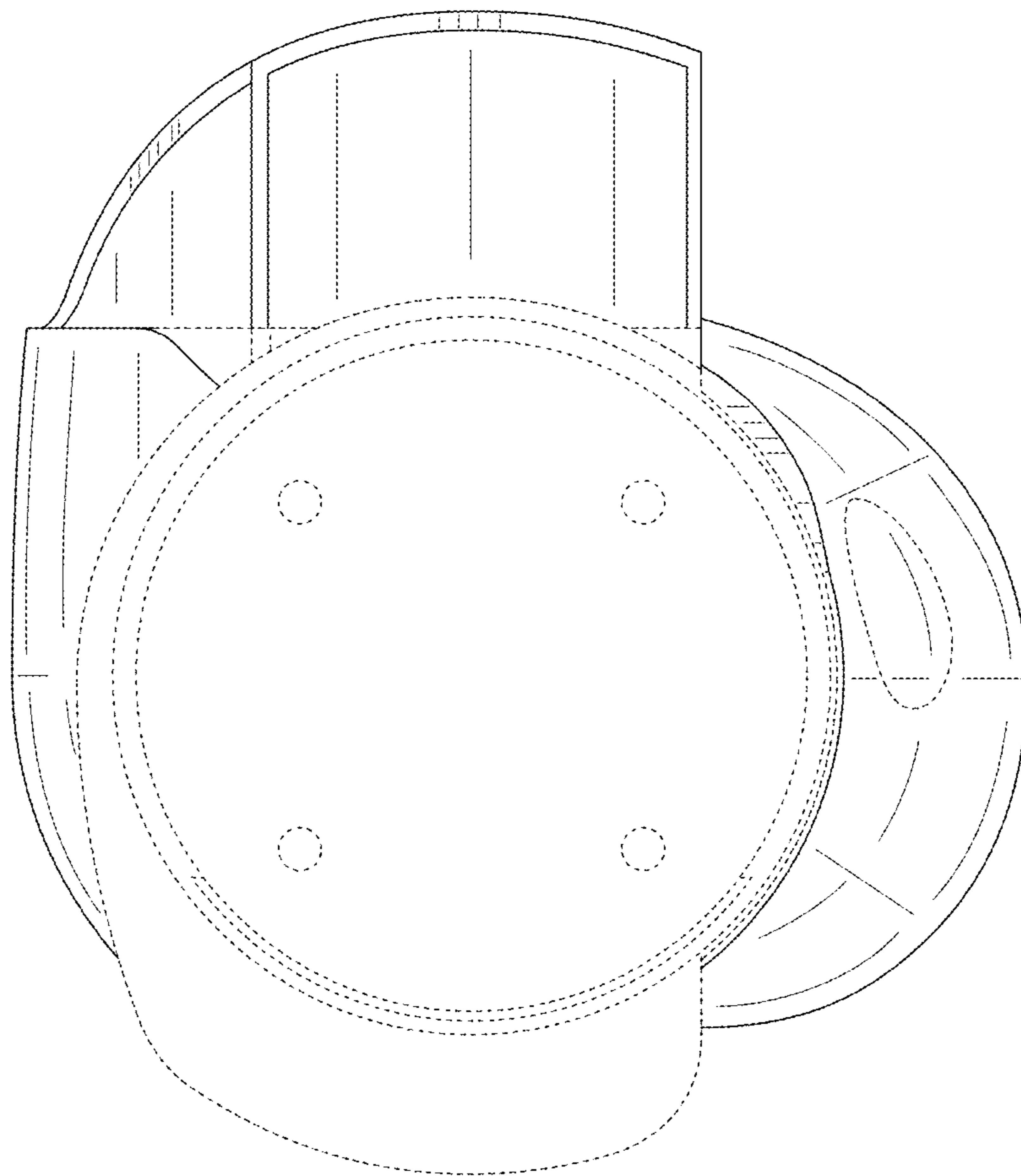


Figure 9

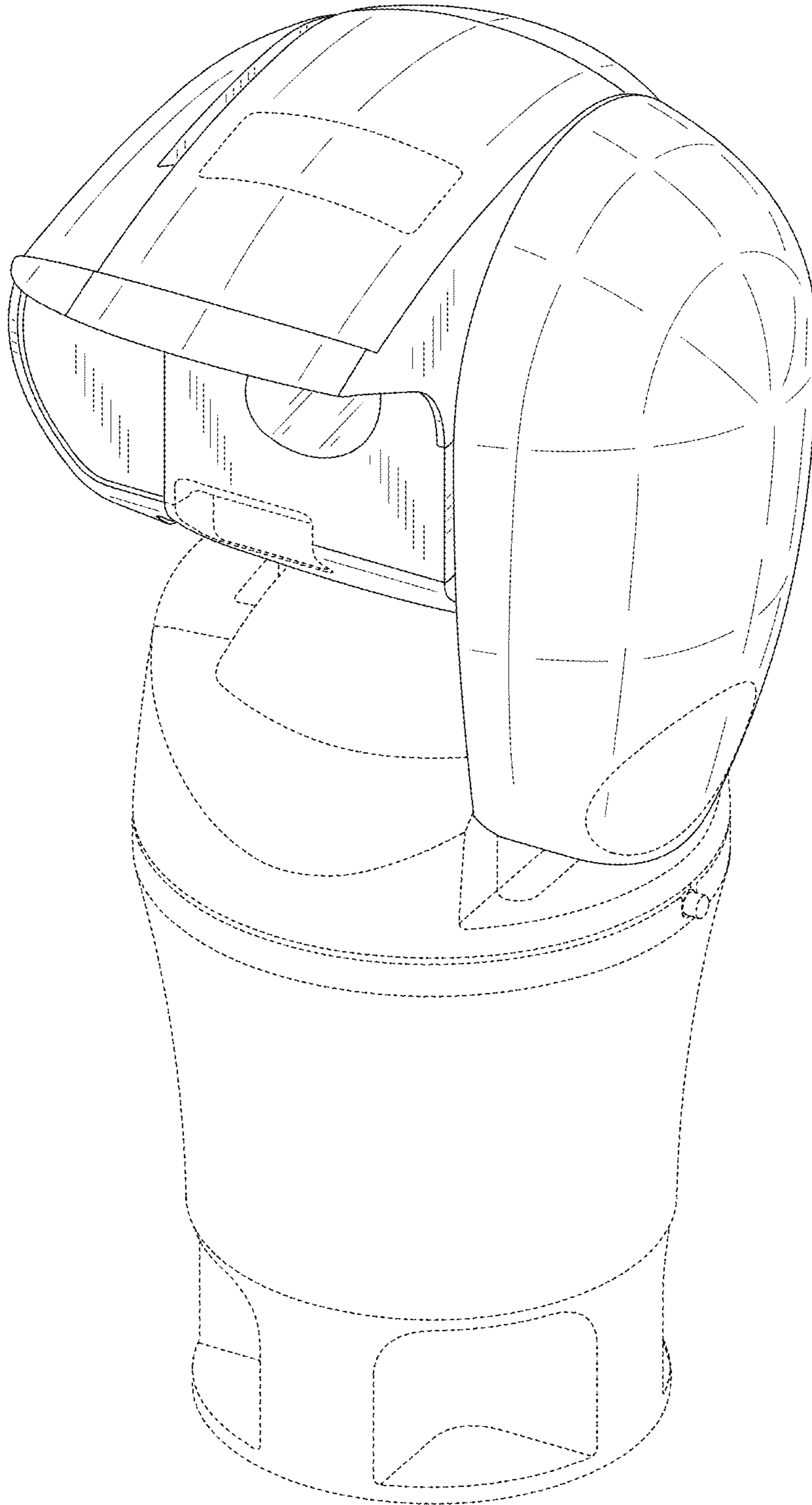


Figure 10

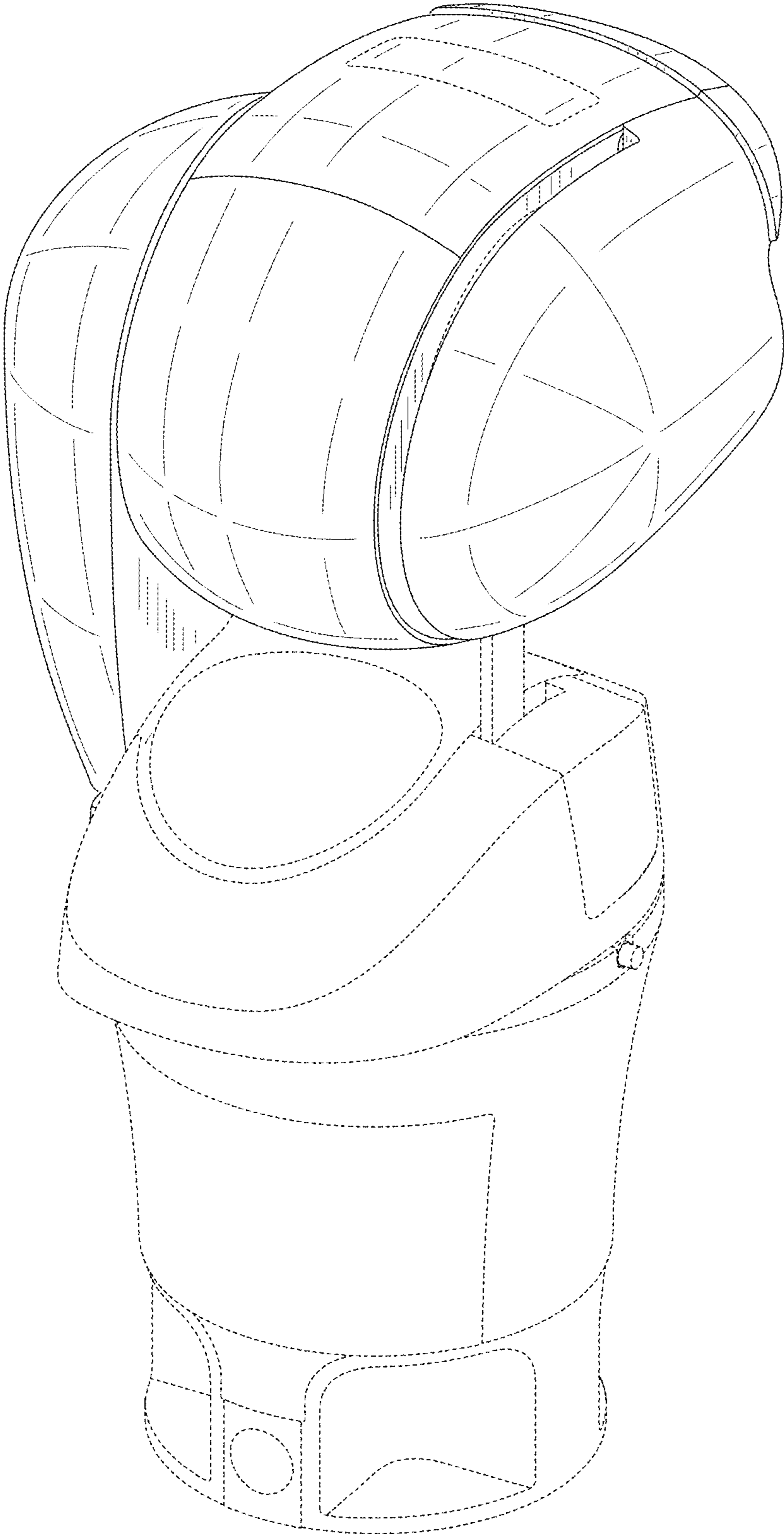


FIG. 11

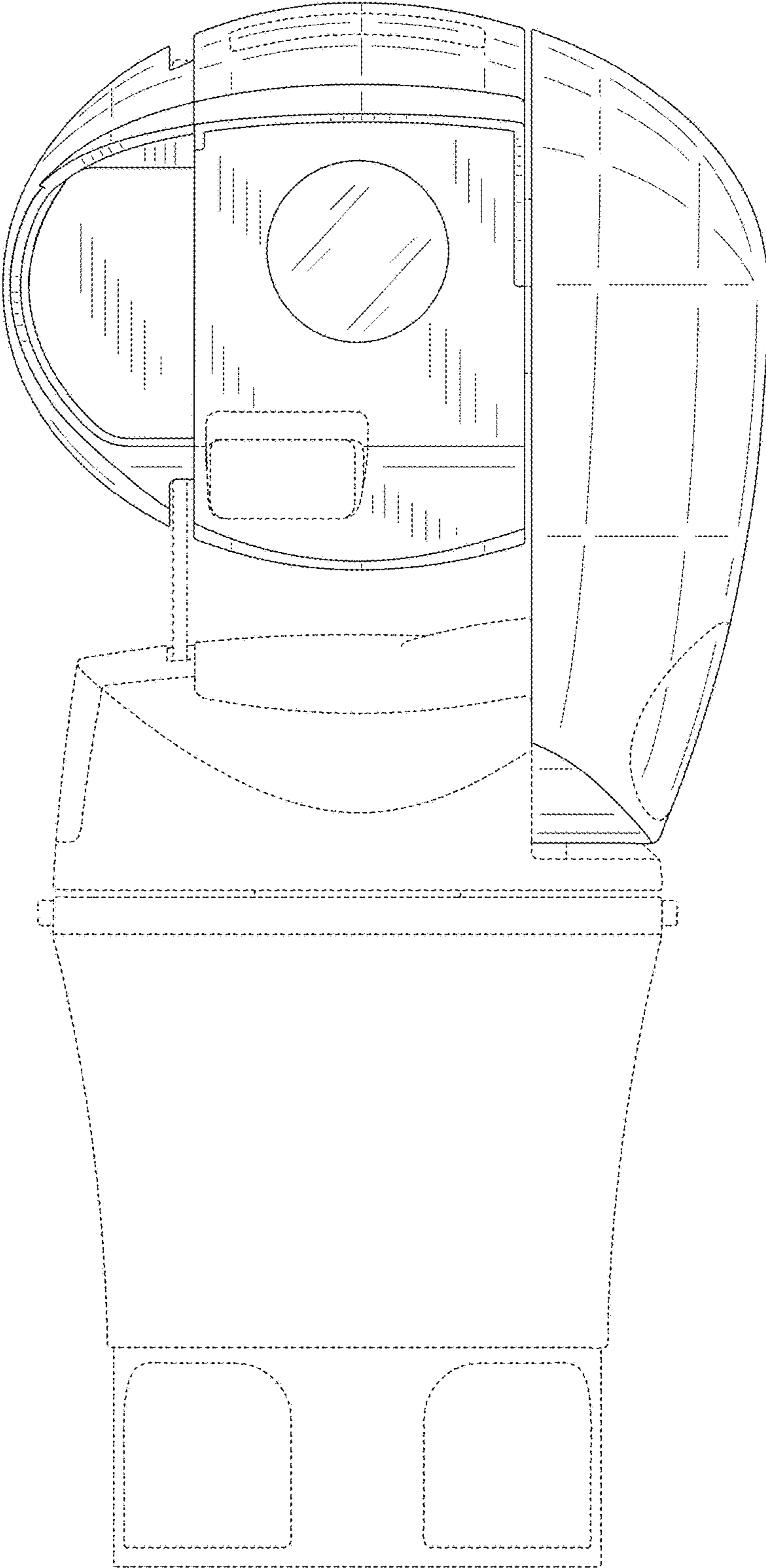


FIG. 12

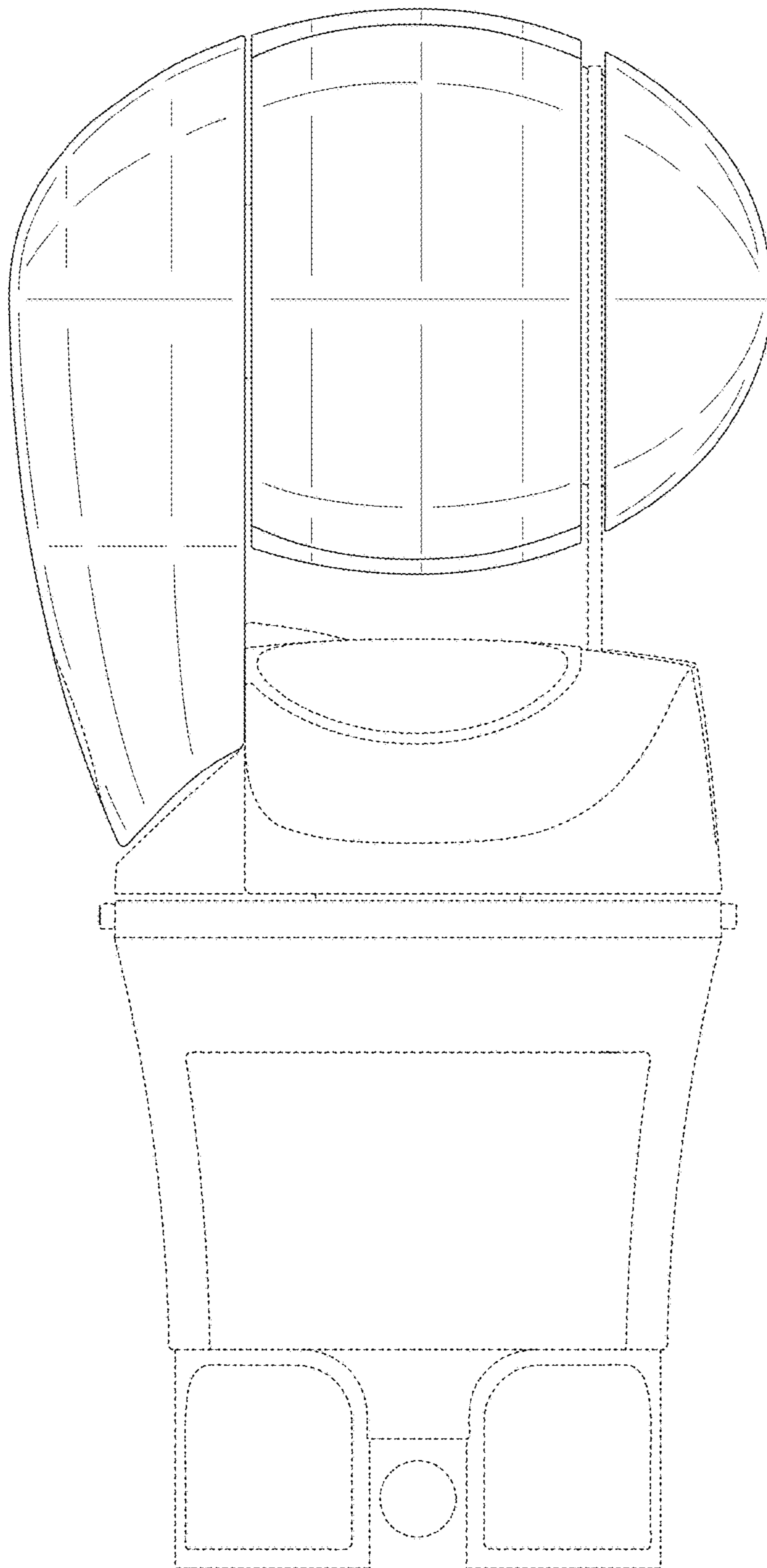


Figure 13

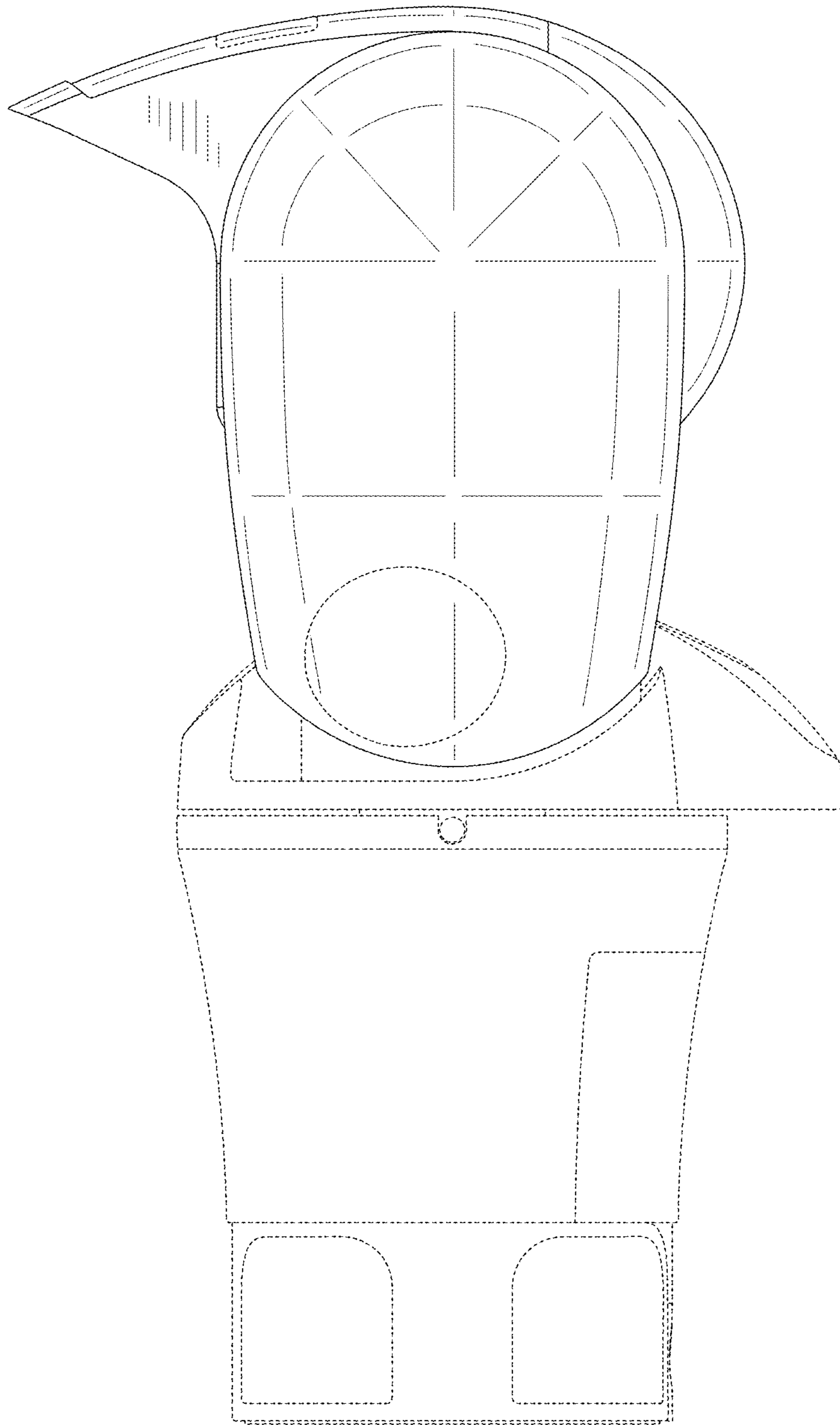


Figure 14

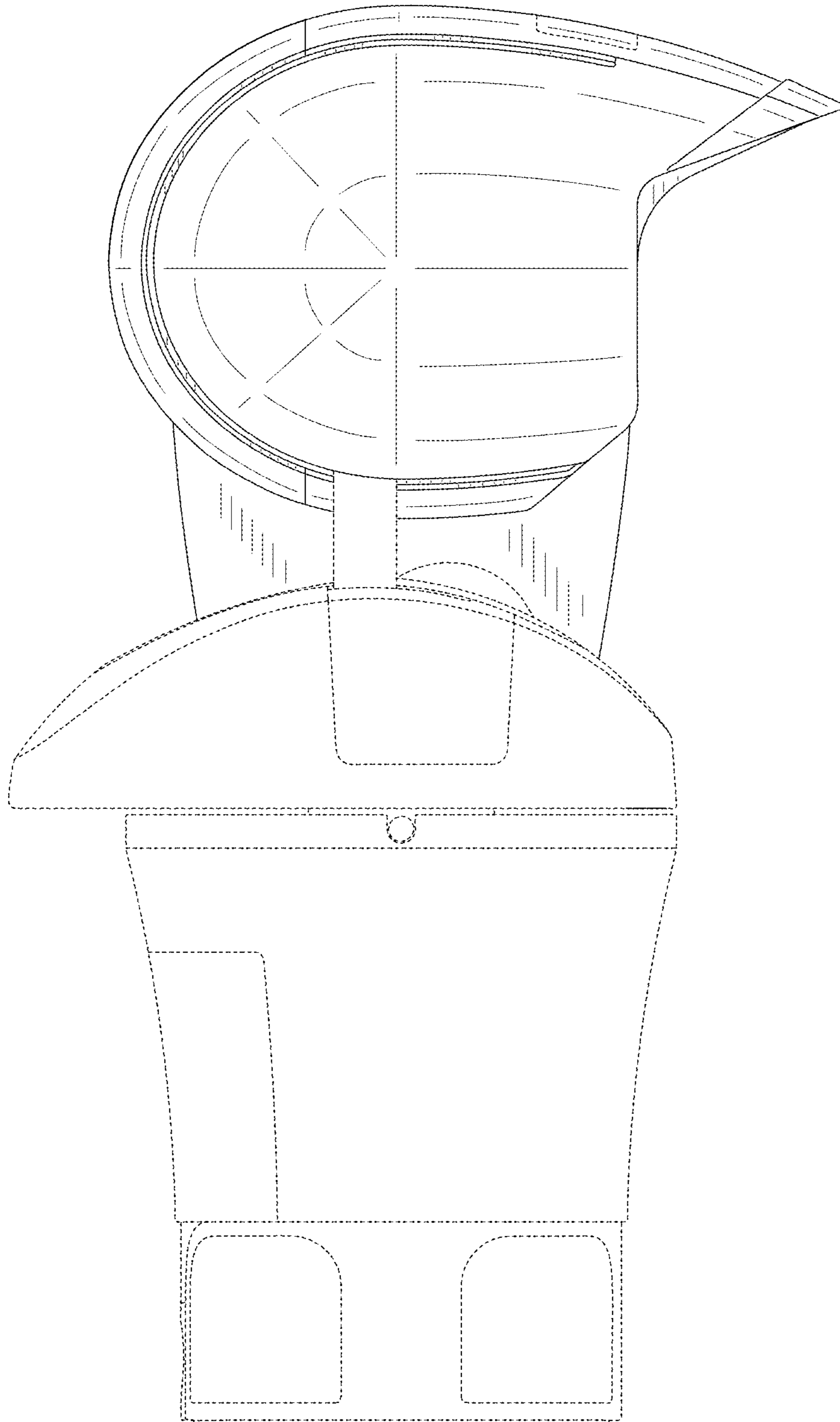


FIG. 15

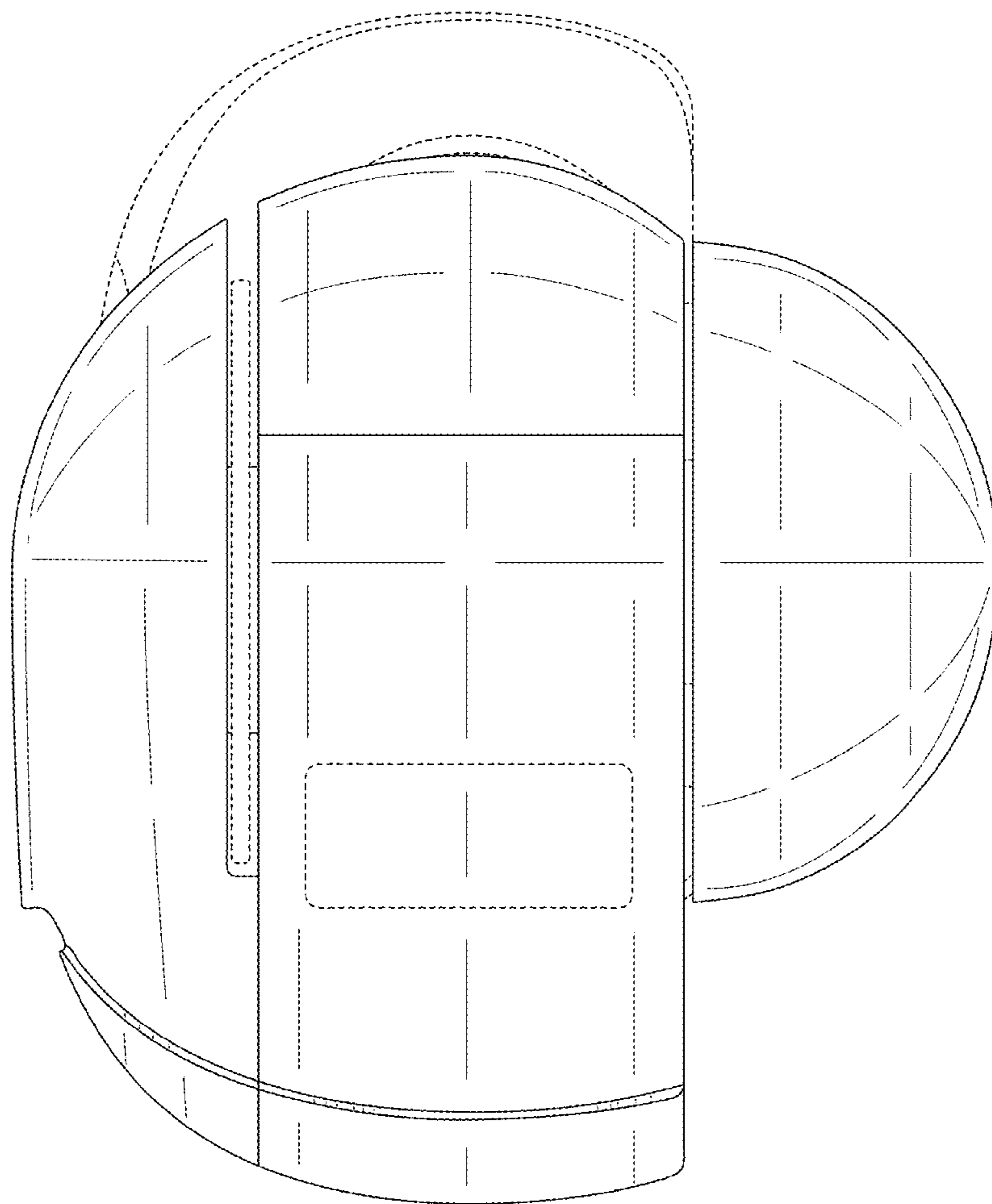


FIG. 16

