



US00D798930S

(12) **United States Design Patent**  
**Macmillan et al.**

(10) **Patent No.:** **US D798,930 S**

(45) **Date of Patent:** **\*\* Oct. 3, 2017**

(54) **MULTI-CAMERA MOUNT**

(71) Applicant: **GoPro, Inc.**, San Mateo, CA (US)

(72) Inventors: **Timothy Macmillan**, LaHonda, CA (US); **Todd Gotham**, Los Altos, CA (US); **Roland Jeffrey Wyatt**, Bozeman, MT (US); **William H. Tolbert**, San Mateo, CA (US); **Andrew Liu**, San Carlos, CA (US); **John George Muhlenkamp, IV**, Brisbane, CA (US)

(73) Assignee: **GoPro, Inc.**, San Mateo, CA (US)

(\*\*) Term: **15 Years**

(21) Appl. No.: **29/543,449**

(22) Filed: **Oct. 23, 2015**

(51) **LOC (10) Cl.** ..... **16-01**

(52) **U.S. Cl.**  
USPC ..... **D16/202**; D16/207

(58) **Field of Classification Search**  
USPC ..... D16/200–208, 210, 214, 218, 219, 242;  
D10/65, 70, 74, 106.6; 348/373–376;  
358/906; 396/419, 427, 428, 535,  
396/539–541  
CPC ..... G03B 15/03; G03B 17/02; G03B 17/04;  
G03B 17/56; G03B 19/04; H04N 5/2251;  
H04N 5/2252; H04N 5/2253; H04N  
5/2254; H04N 2101/00  
See application file for complete search history.

(56) **References Cited**

**U.S. PATENT DOCUMENTS**

D424,086 S *	5/2000	Choi	.....	D16/202
D475,385 S *	6/2003	Christianson	.....	D16/202
D505,439 S *	5/2005	Liiv	.....	D16/202
D630,955 S *	1/2011	McAlpine	.....	D10/74
D645,071 S *	9/2011	Hinkel	.....	D16/203
D664,178 S *	7/2012	Hinkel	.....	D16/203
D729,861 S *	5/2015	Huang	.....	D16/203

D734,380 S *	7/2015	Tzarnotzky	.....	D16/207
D785,070 S *	4/2017	Mistry	.....	D16/207
2001/0043737 A1*	11/2001	Rogina	.....	G06K 9/209 382/154
2013/0215322 A1*	8/2013	Haler	.....	H04N 5/232 348/373
2015/0348580 A1*	12/2015	van Hoff	.....	G11B 19/20 348/38

\* cited by examiner

*Primary Examiner* — Philip S Hyder

*Assistant Examiner* — Ramzi Almatrahi

(74) *Attorney, Agent, or Firm* — Fenwick & West LLP

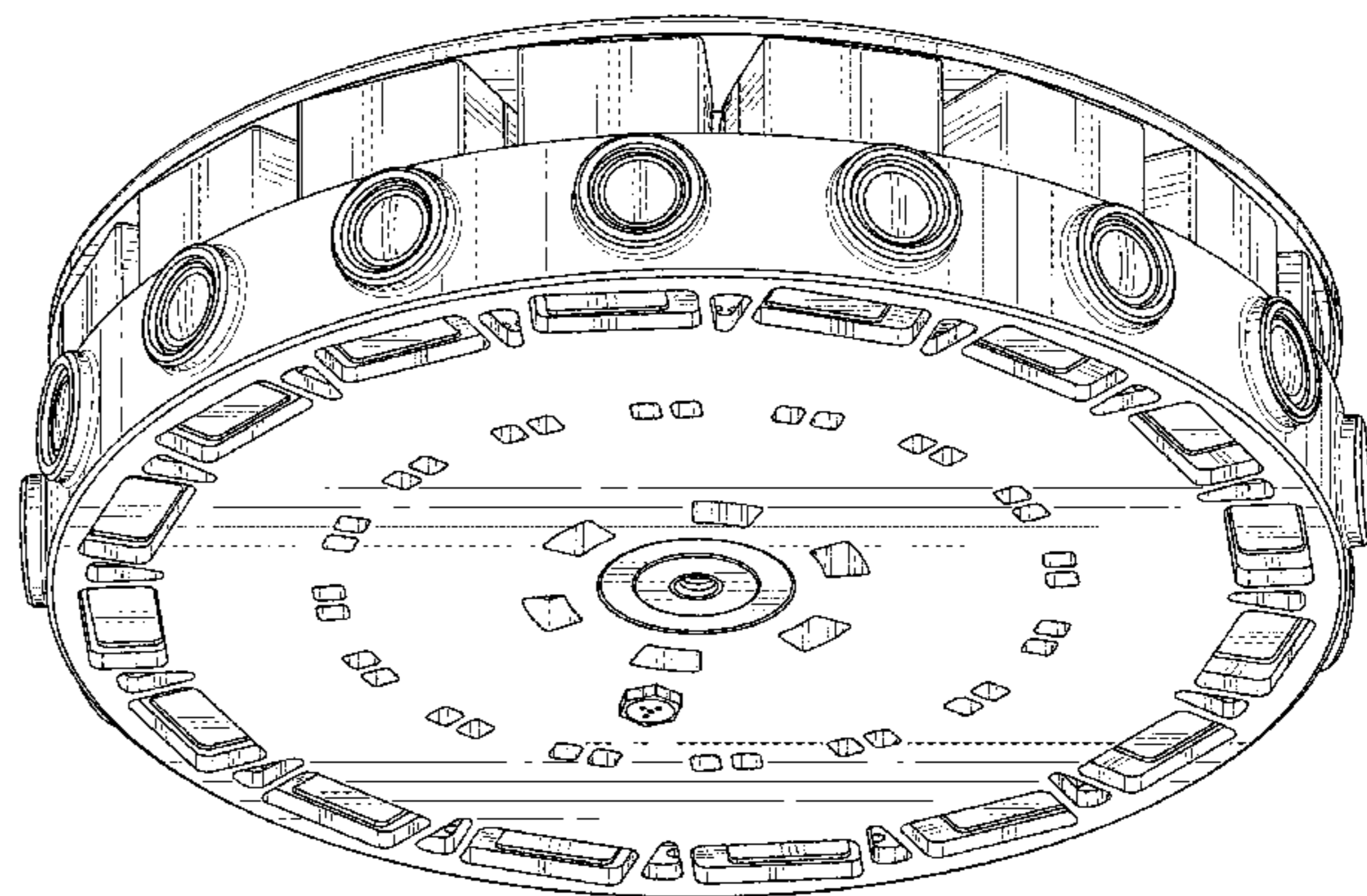
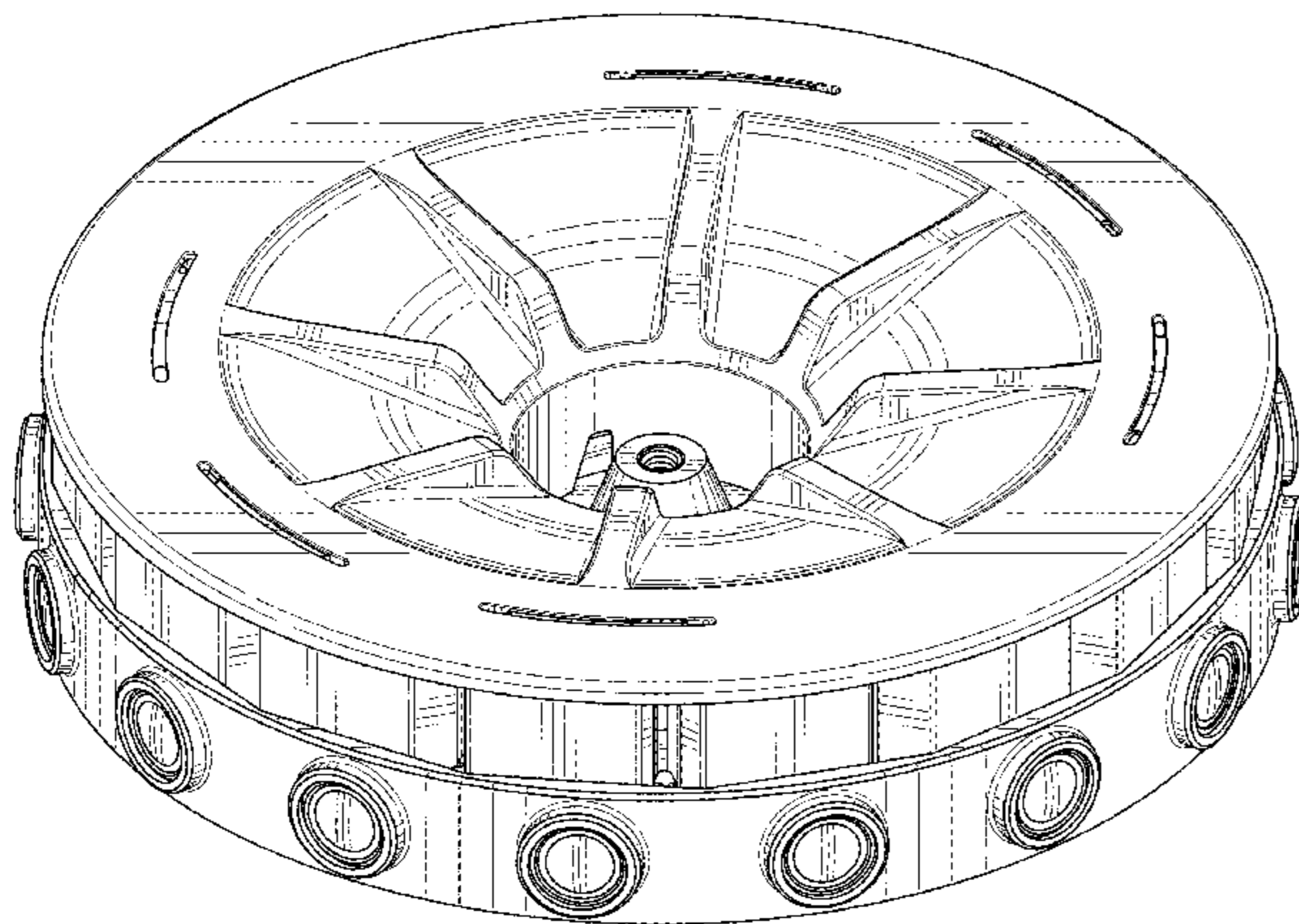
(57) **CLAIM**

The ornamental design for a multi-camera mount, as shown and described.

**DESCRIPTION**

FIG. 1 is a front, top and right side perspective view of a first embodiment of a multi-camera mount;  
 FIG. 2 is a front, bottom and right side perspective view thereof;  
 FIG. 3 is a front view thereof;  
 FIG. 4 is a right side view thereof;  
 FIG. 5 is a rear view thereof;  
 FIG. 6 is a left side view thereof;  
 FIG. 7 is a top view thereof;  
 FIG. 8 is a bottom view thereof;  
 FIG. 9 is a front, top and right side perspective view of a second embodiment of a multi-camera mount;  
 FIG. 10 is a front, bottom and right side perspective view thereof;  
 FIG. 11 is a front view thereof;  
 FIG. 12 is a right side view thereof;  
 FIG. 13 is a rear view thereof;  
 FIG. 14 is a left side view thereof;  
 FIG. 15 is a top view thereof; and,  
 FIG. 16 is a bottom view thereof.

**1 Claim, 16 Drawing Sheets**





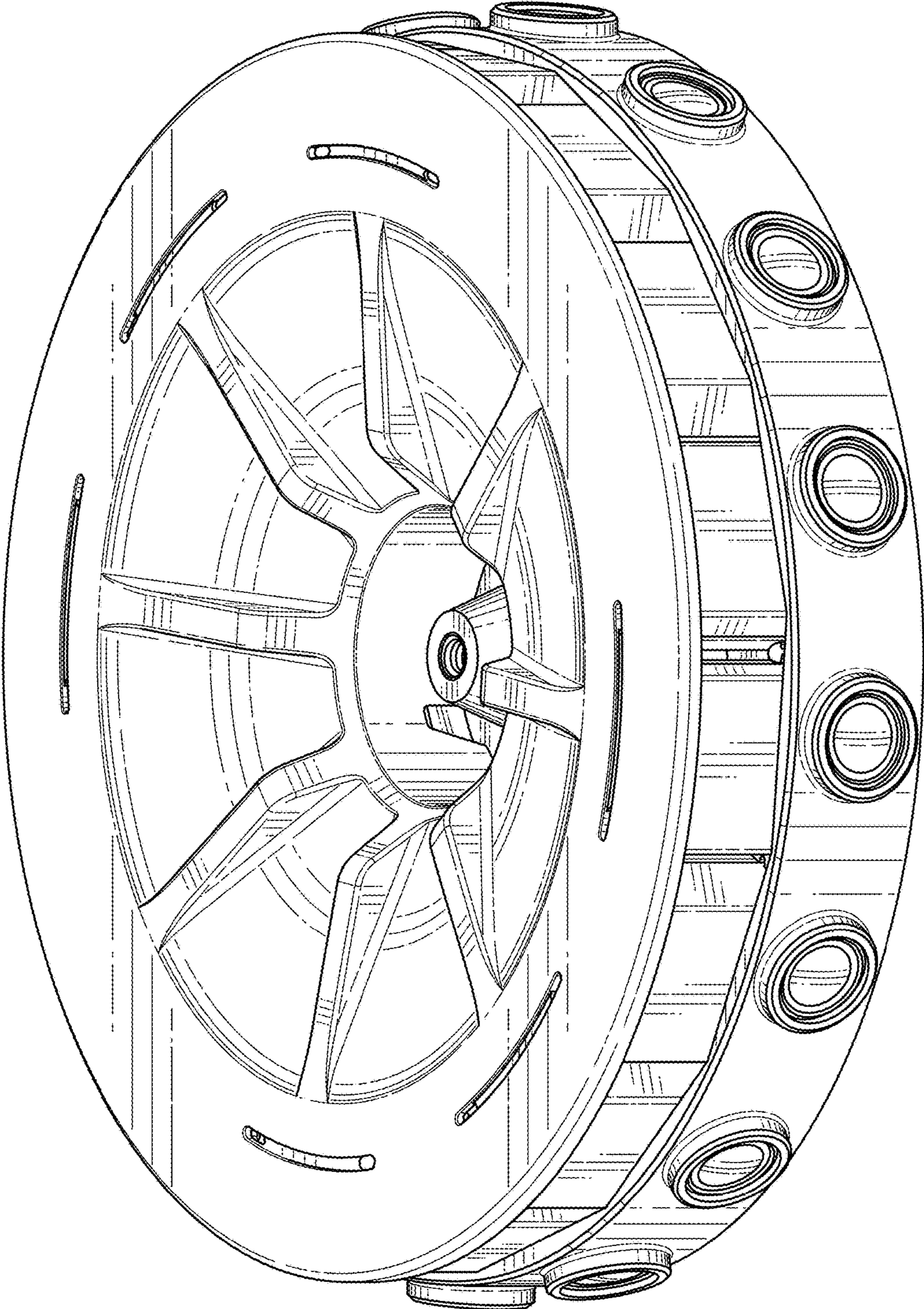


FIG. 1

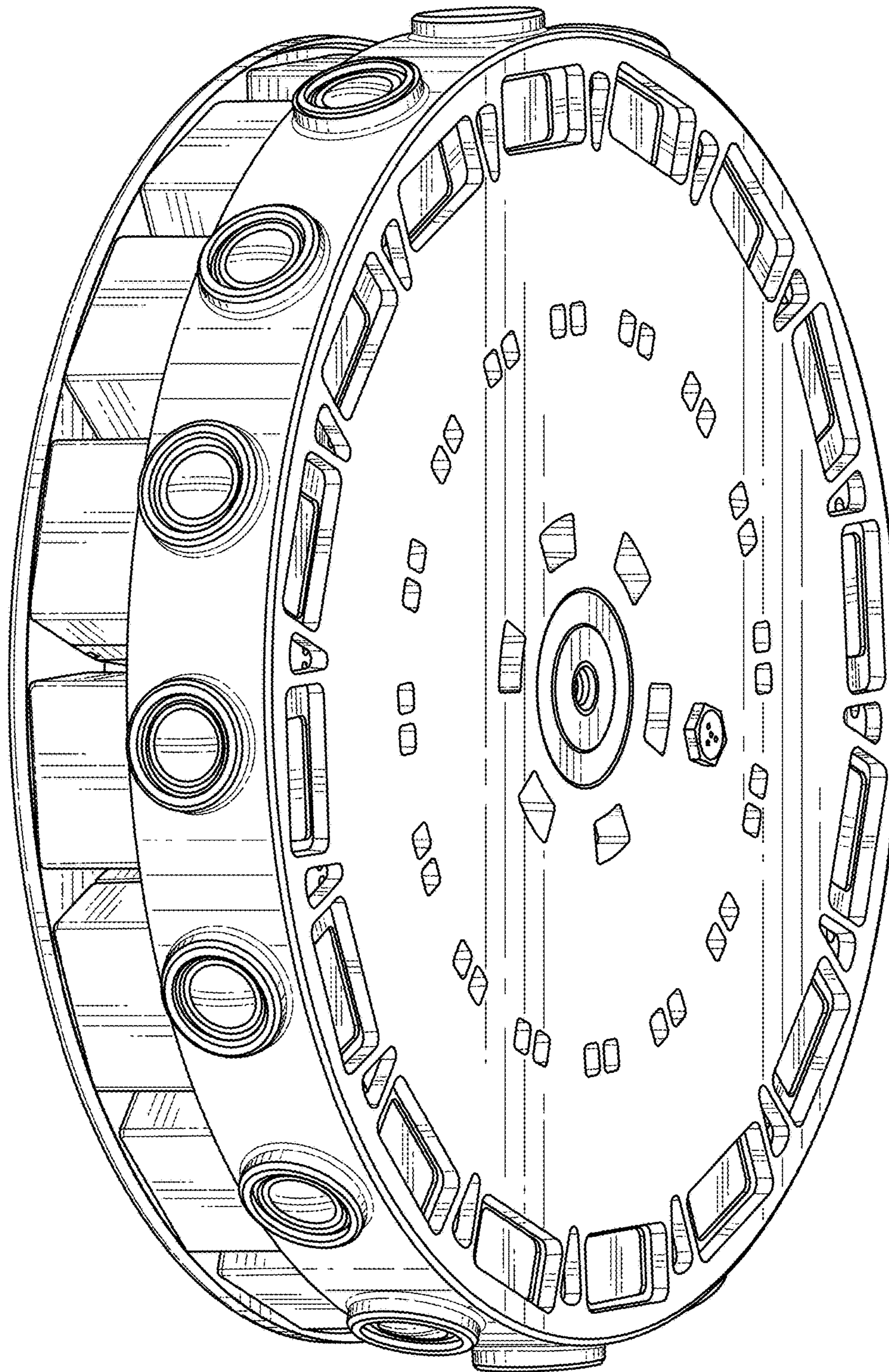


FIG. 2



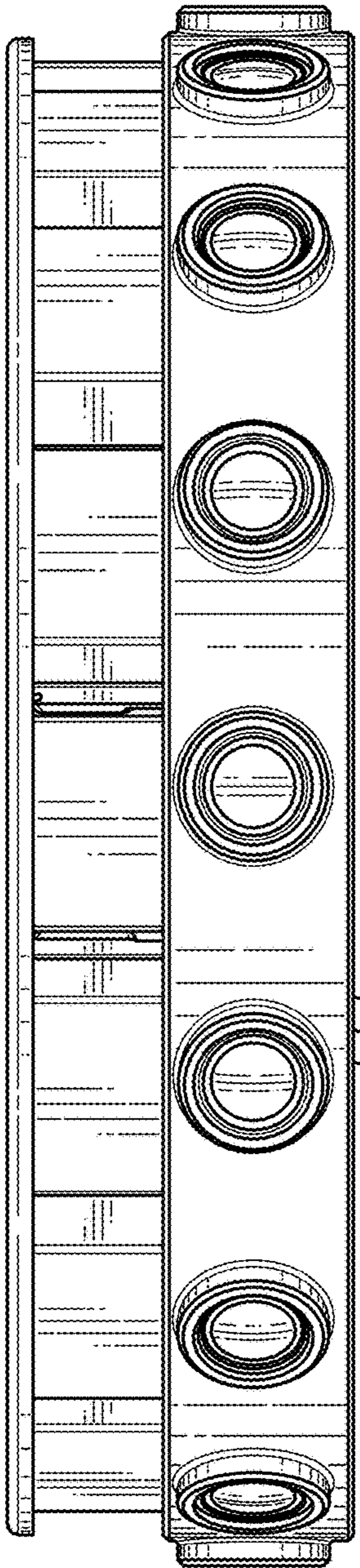


FIG. 3

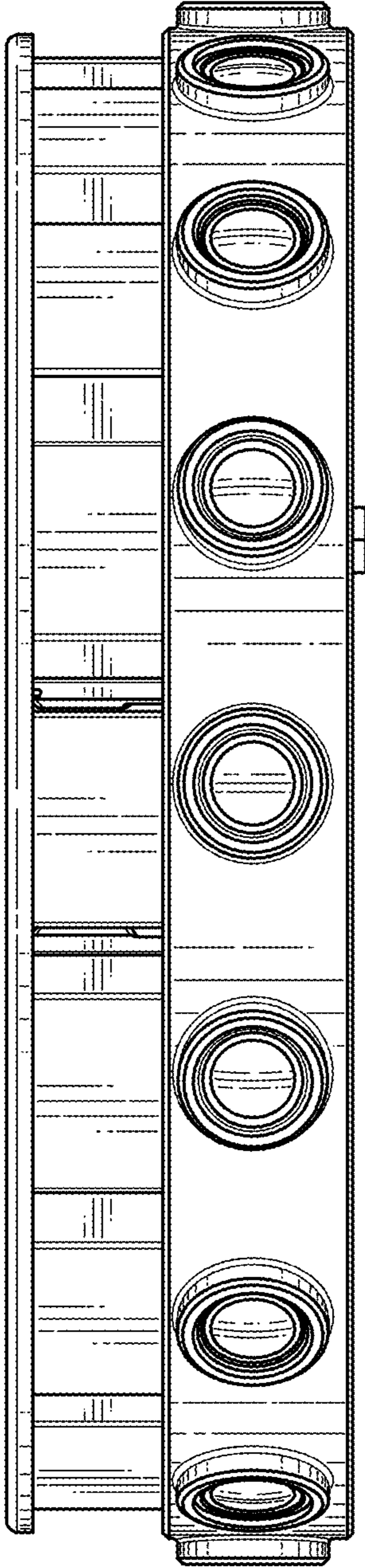


FIG. 4

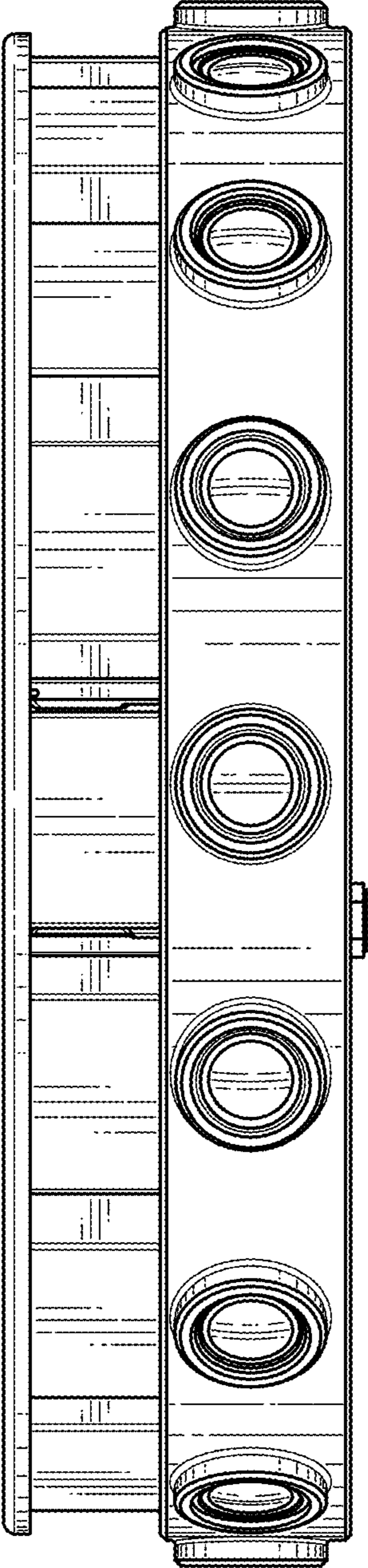


FIG. 5

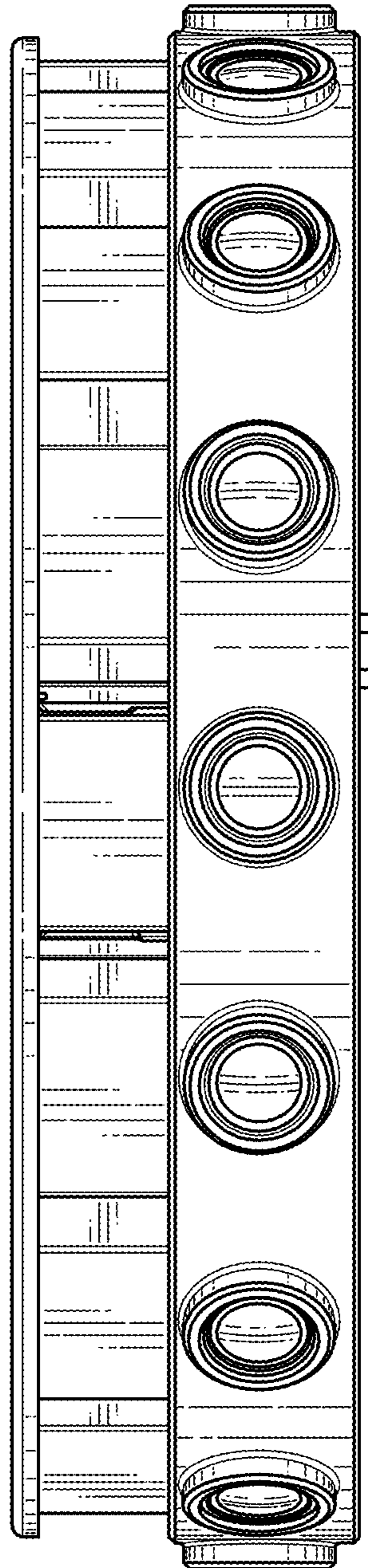


FIG. 6



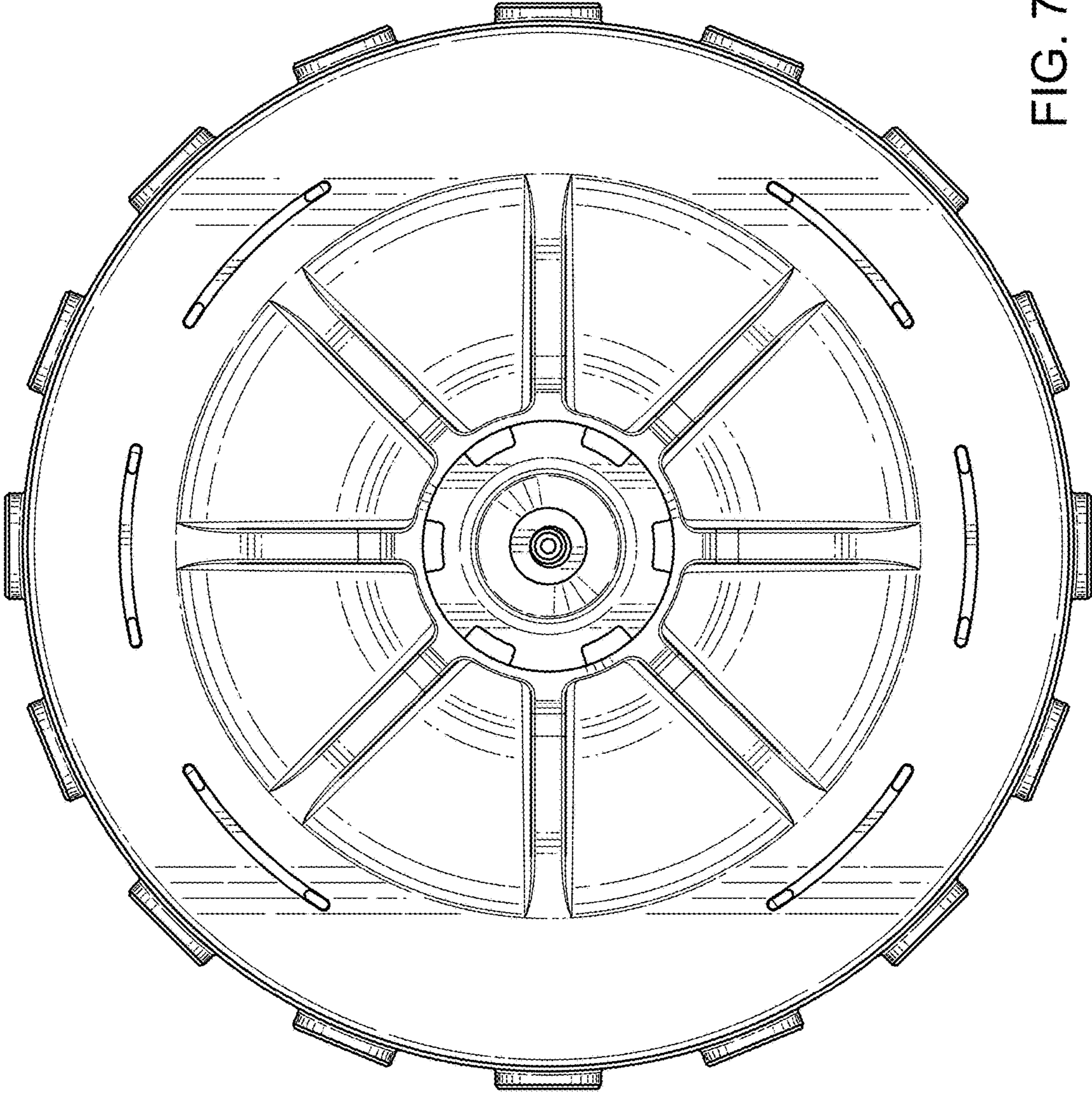


FIG. 7



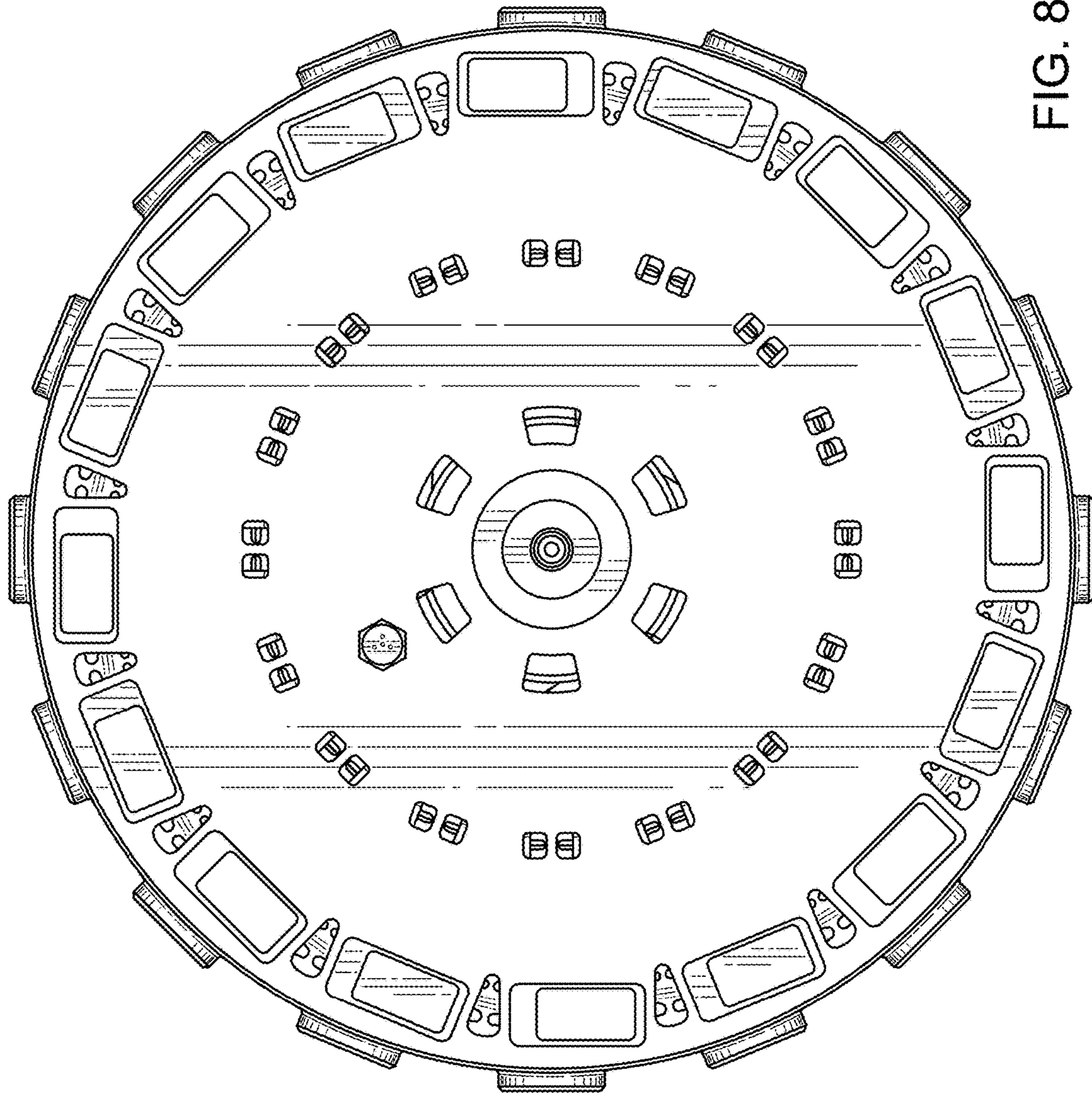


FIG. 8

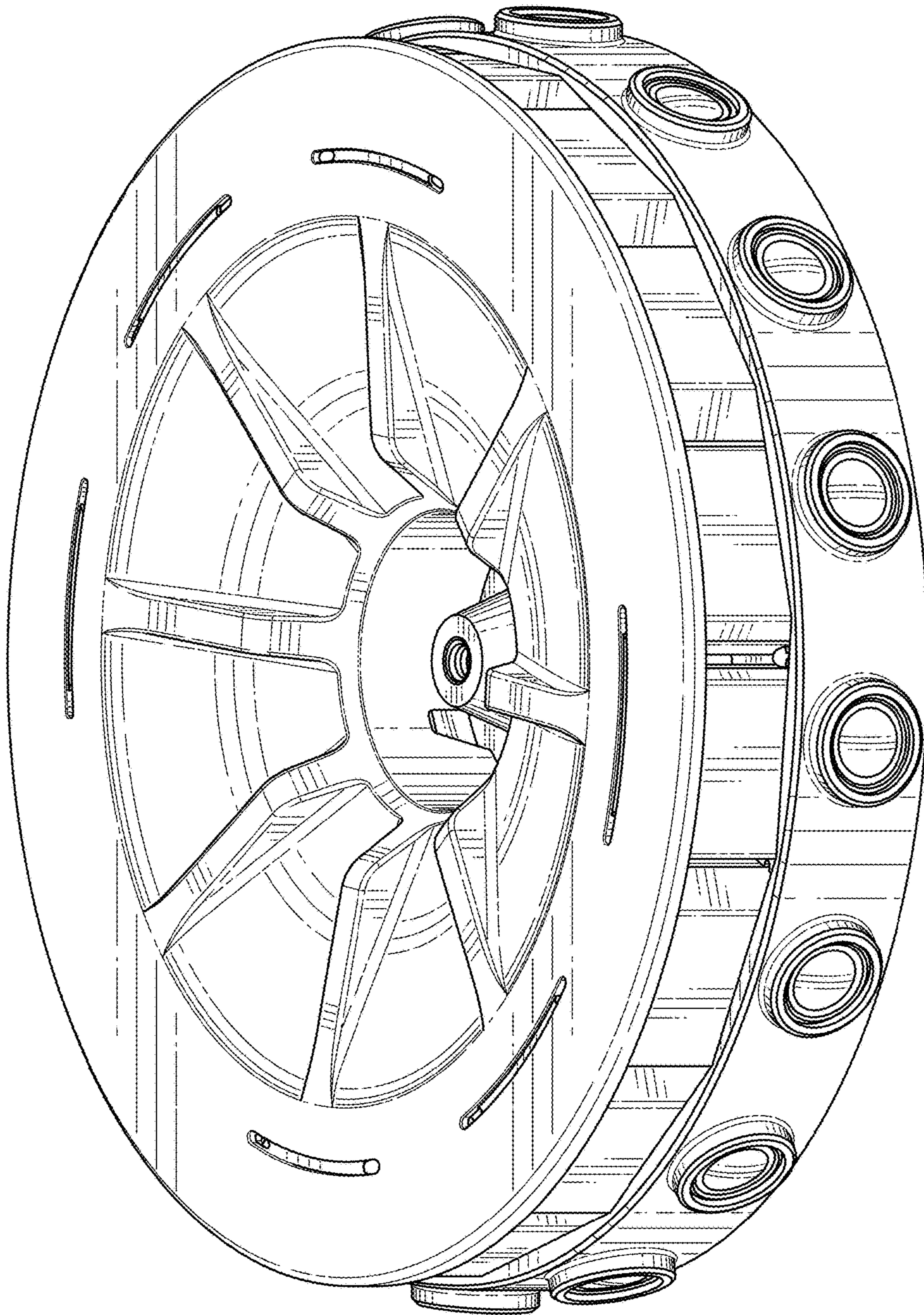


FIG. 9



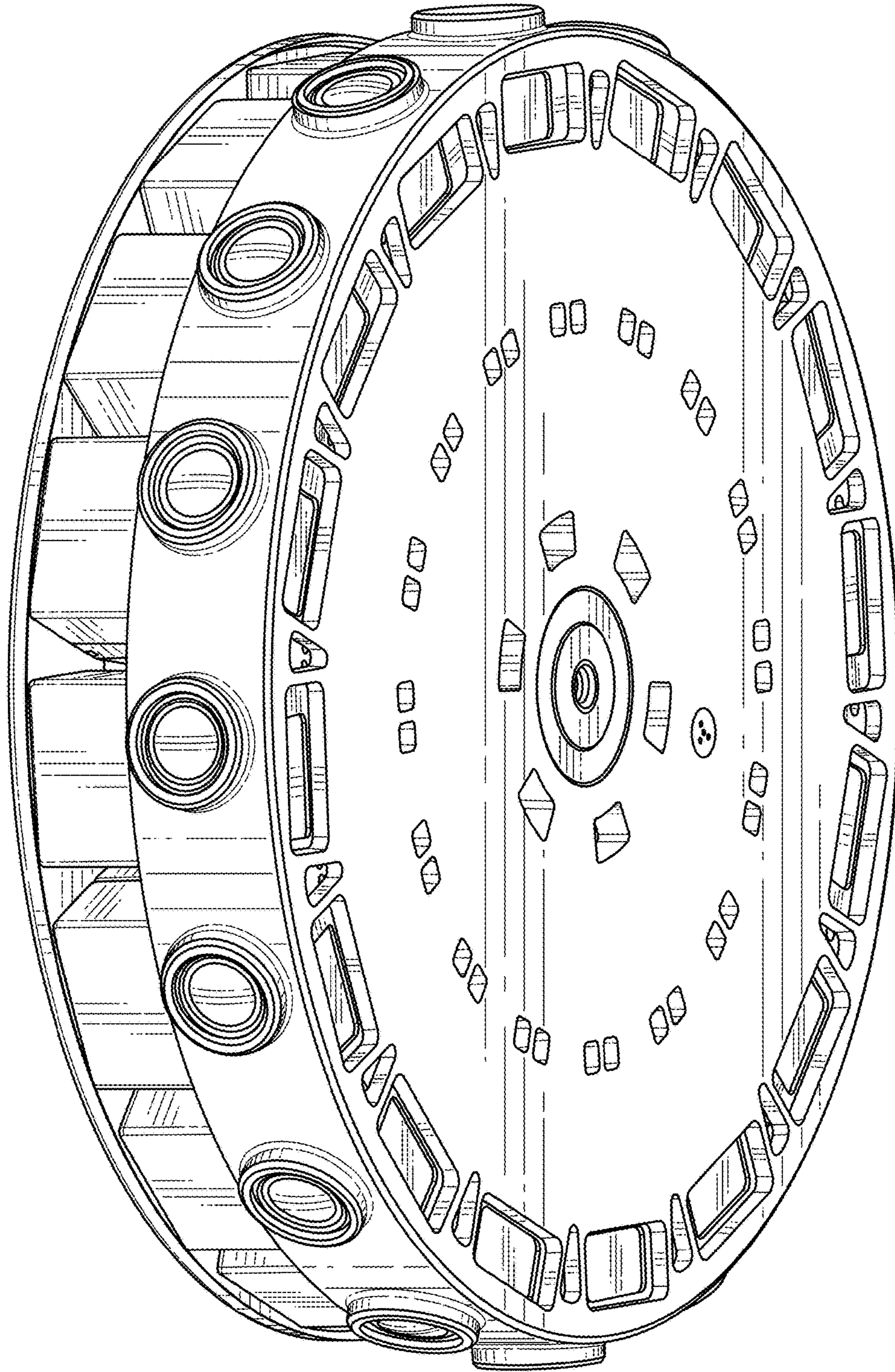


FIG. 10



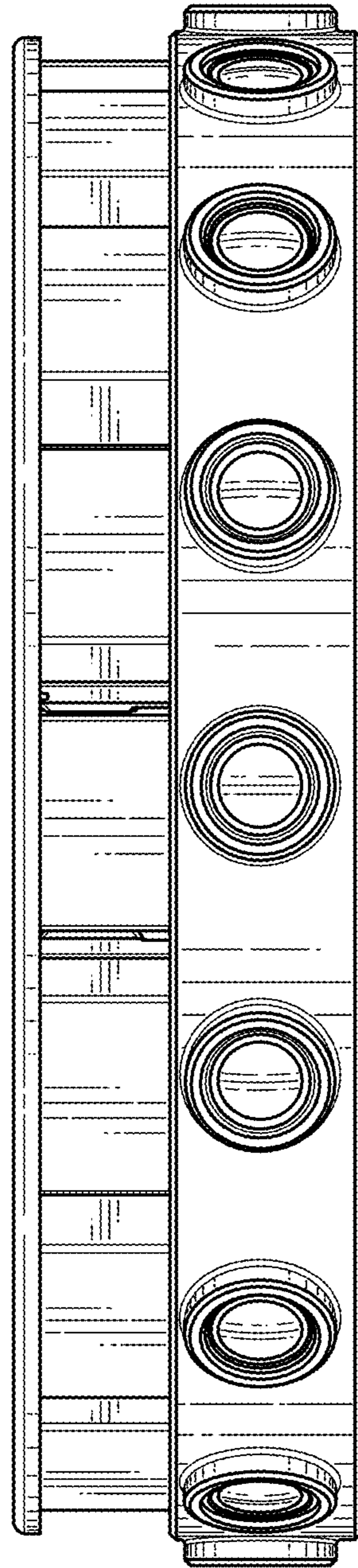


FIG. 11

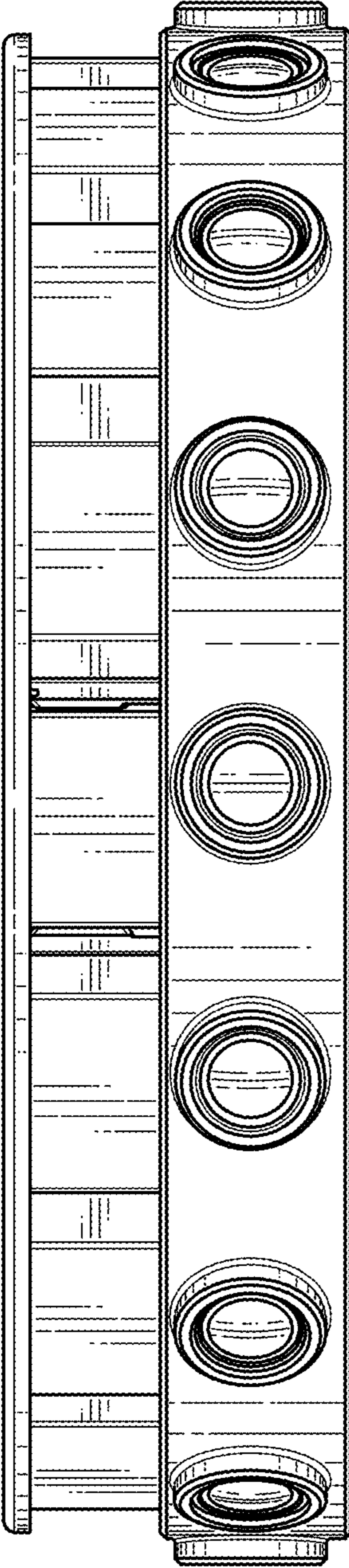


FIG. 12

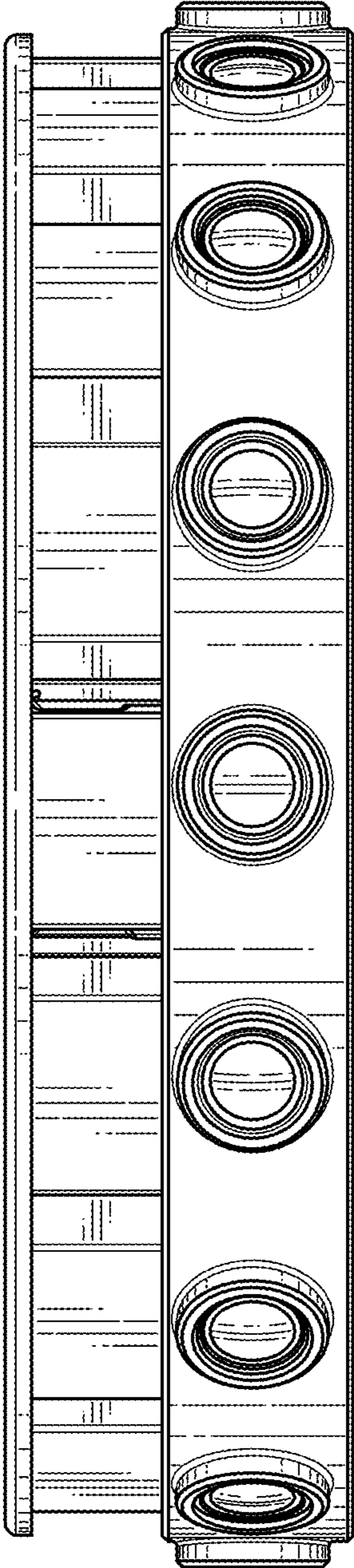


FIG. 13



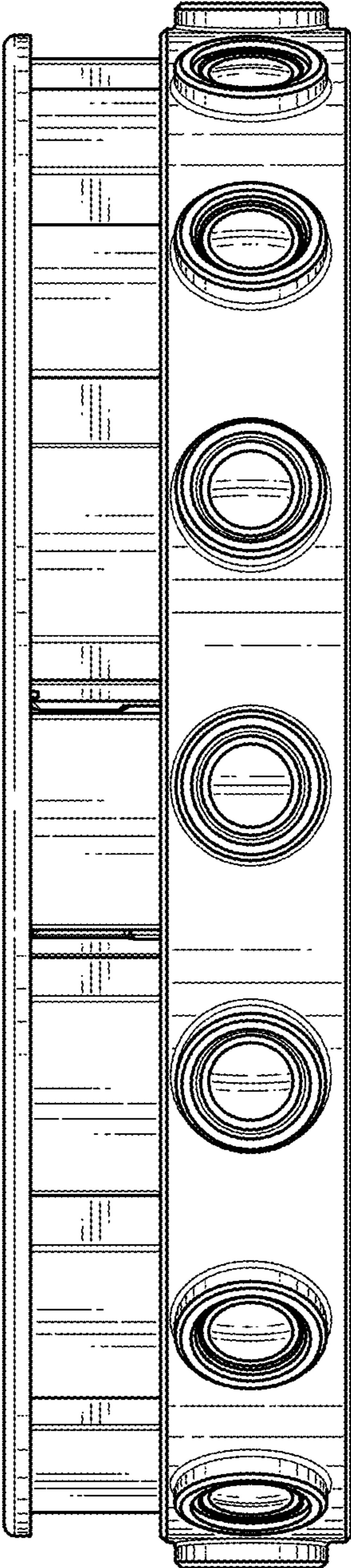


FIG. 14

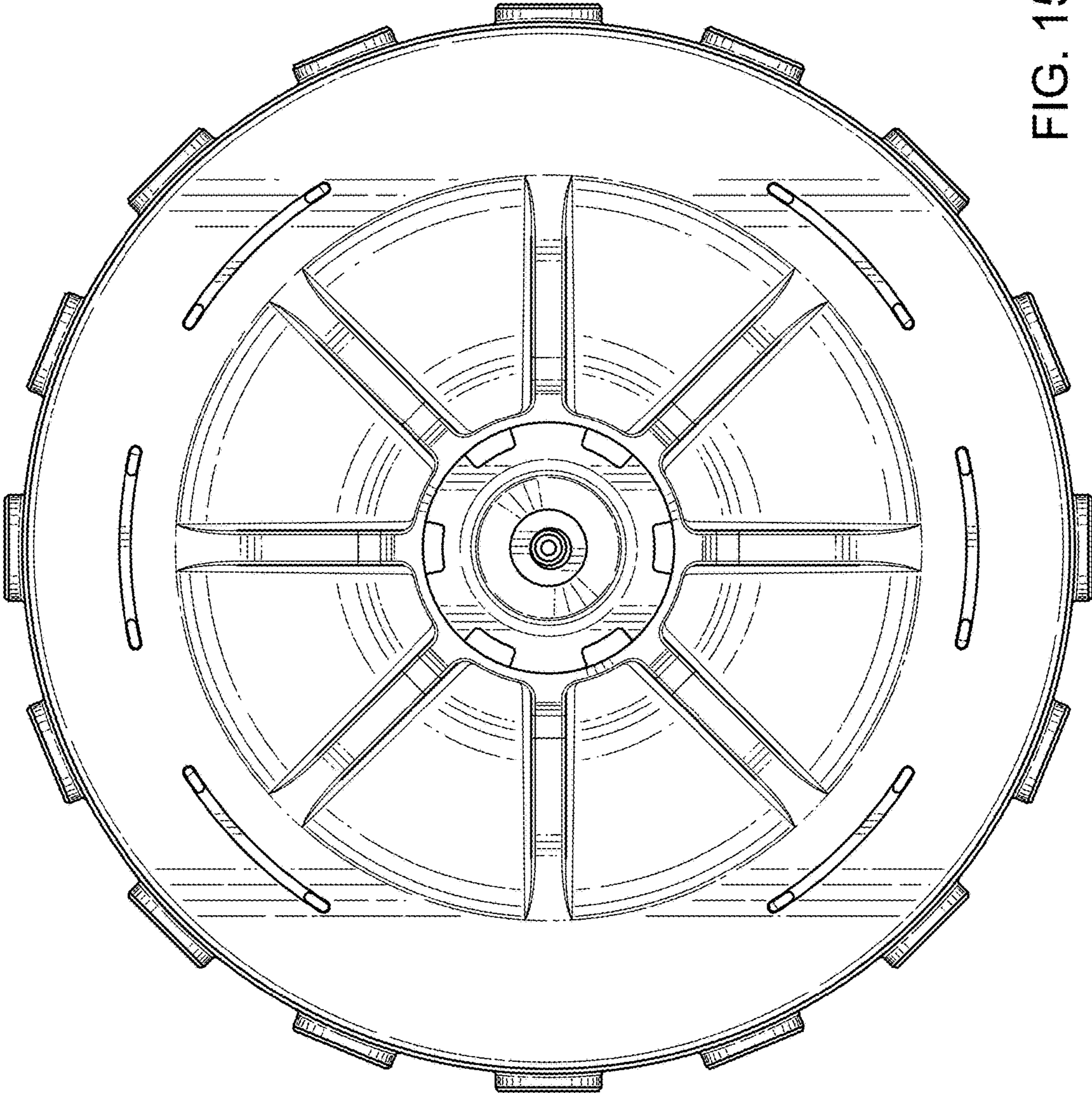


FIG. 15

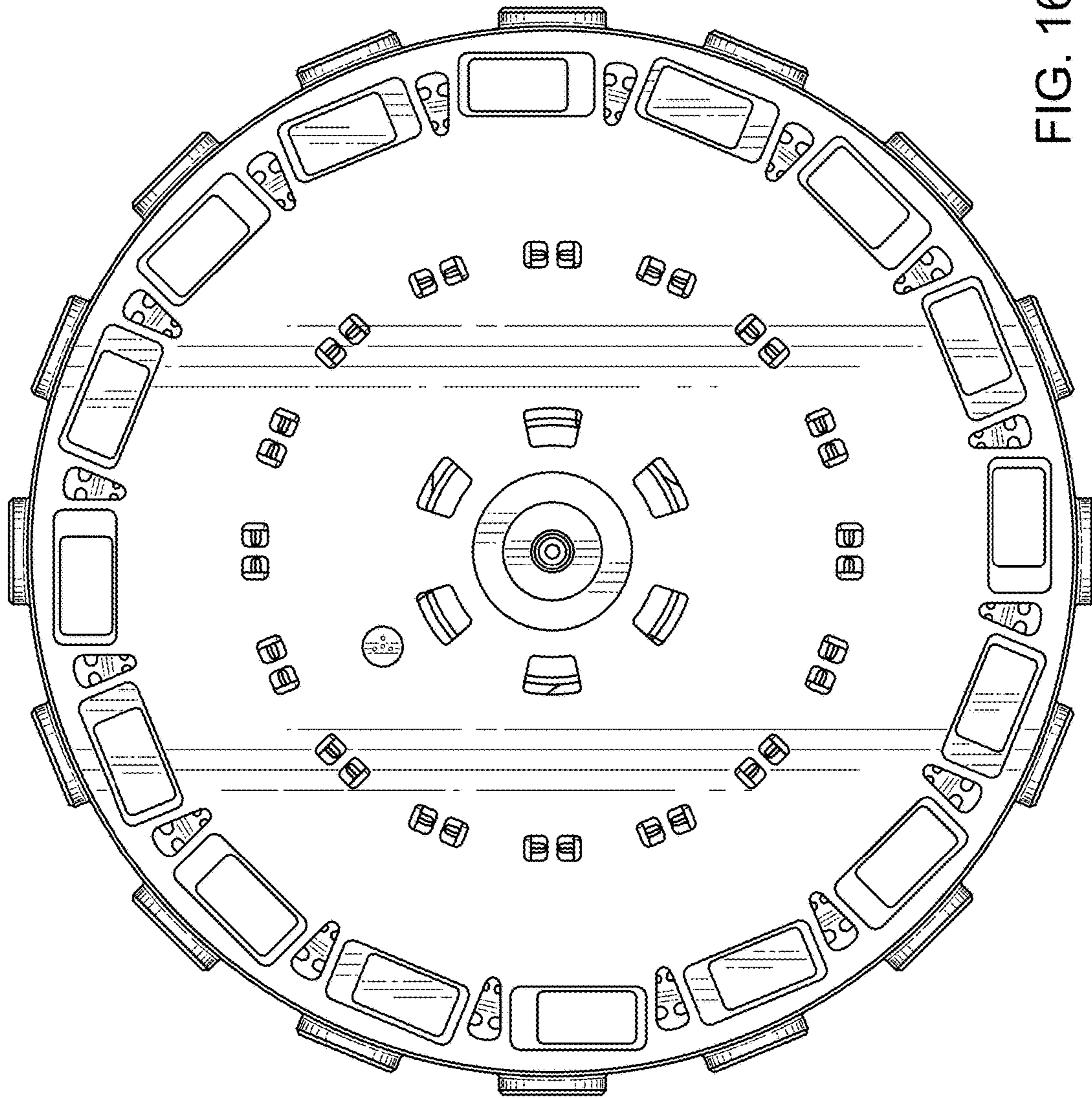


FIG. 16