



US00D798929S

(12) **United States Design Patent** (10) **Patent No.:** **US D798,929 S**
Zhou (45) **Date of Patent:** **** Oct. 3, 2017**

(54) **CAMERA**
(71) Applicant: **Gitup Limited**, Hong Kong (HK)
(72) Inventor: **Liquan Zhou**, Guangdong (CN)
(73) Assignee: **Gitup Limited**, Hong Kong (HK)
(**) Term: **15 Years**

(21) Appl. No.: **29/553,851**

(22) Filed: **Feb. 5, 2016**

(30) **Foreign Application Priority Data**

Oct. 23, 2015 (CN) 2015 3 0418106

(51) **LOC (10) Cl.** **16-01**

(52) **U.S. Cl.**
USPC **D16/200**

(58) **Field of Classification Search**
USPC D16/200–220, 242, 244, 245
CPC H04N 5/77; H04N 5/23245; B60R 11/04;
B60R 2011/0003; B60R 2011/0033;
G07C 5/0891
See application file for complete search history.

(56) **References Cited**

U.S. PATENT DOCUMENTS

D390,587 S *	2/1998	Schelling	D16/209
D479,545 S *	9/2003	Bumgardner	D16/202
D484,523 S *	12/2003	Senda	D16/218
D638,456 S *	5/2011	Sakai	D16/202
D688,290 S *	8/2013	Hwang	D16/202
D689,109 S *	9/2013	Kim	D16/202
8,870,475 B1 *	10/2014	Bennett	G03B 17/561 396/419
D737,879 S *	9/2015	Woodman	D16/218
D742,952 S *	11/2015	Nakajima	D16/202
D745,589 S *	12/2015	Lee	D16/218
D753,749 S *	4/2016	Zhu	D16/202
D760,309 S *	6/2016	Parfitt	D16/202

2005/0083426 A1 *	4/2005	Yoo	G06F 3/0481 348/333.05
2006/0233545 A1 *	10/2006	Senba	G03B 17/14 396/529
2008/0024632 A1 *	1/2008	Otsuka	G06F 17/3089 348/294
2008/0252745 A1 *	10/2008	Nakamura	H04N 5/232 348/222.1
2008/0295031 A1 *	11/2008	Miyazaki	G11B 27/322 715/835

(Continued)

OTHER PUBLICATIONS

Hero4 by GoPro, posted at Gizmodo.com, posting date Sep. 29, 2014, [online], [site visited Apr. 19, 2017]. Available from Internet, <URL: <http://gizmodo.com/gopro-hero4-hands-on-action-cam-goes-beast-for-a-pric-1640225592>>.*

(Continued)

Primary Examiner — Susan E Krakower
Assistant Examiner — L. A. Grabenstetter

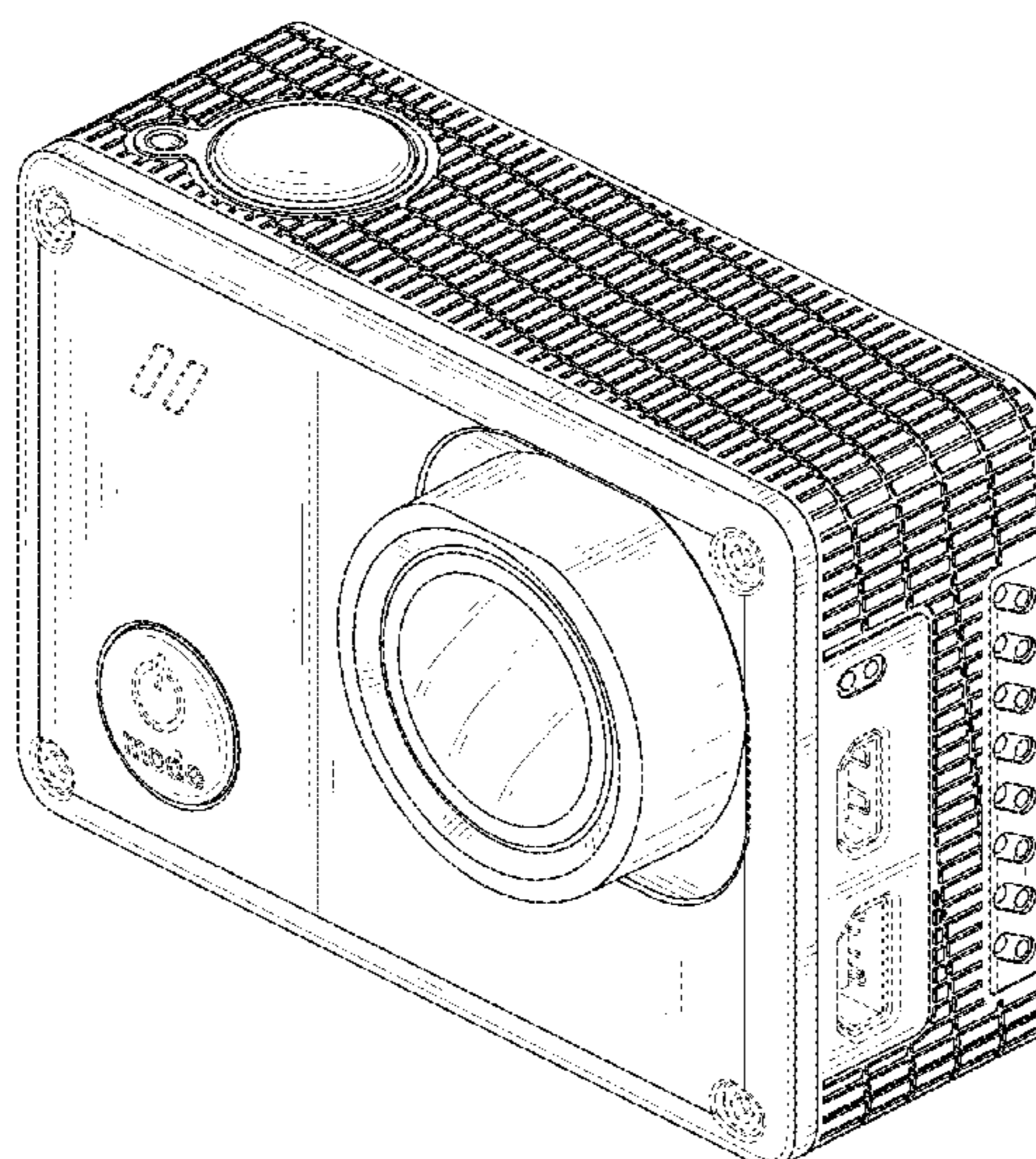
(57) **CLAIM**

The ornamental design for a camera, as shown and described.

DESCRIPTION

FIG. 1 is a first perspective view of a camera showing my new design;
FIG. 2 is a second perspective view thereof;
FIG. 3 is a front elevational view thereof;
FIG. 4 is a rear elevational view thereof;
FIG. 5 is a left side view thereof;
FIG. 6 is a right side view thereof;
FIG. 7 is a top plan view thereof; and,
FIG. 8 is a bottom plan view thereof.
The broken lines represent unclaimed portions of the camera.
The diagonal lines indicate transparency.

1 Claim, 8 Drawing Sheets



(56)

References Cited

U.S. PATENT DOCUMENTS

2009/0135298 A1* 5/2009 Kaneko G03B 17/02
348/374
2015/0271483 A1* 9/2015 Sun H04N 17/002
348/187
2015/0326748 A1* 11/2015 Tisch H04R 3/005
348/231.4

OTHER PUBLICATIONS

Xiomi Yi Action Camera, posted at Cnetfrance.fr, posting date Apr. 3, 2015, [online], [site visited Apr. 19, 2017]. Available from Internet, <URL: <http://www.cnetfrance.fr/produits/xiaomiyiactioncam39817422.htm>>.*

GitUp Git 2, posted at Elproducente.com, posting date Nov. 26, 2016, [online], [site visited Apr. 21, 2017]. Available from Internet, <URL: <http://elproducente.com/gitupgit2git2previewmanual/>>.*

* cited by examiner

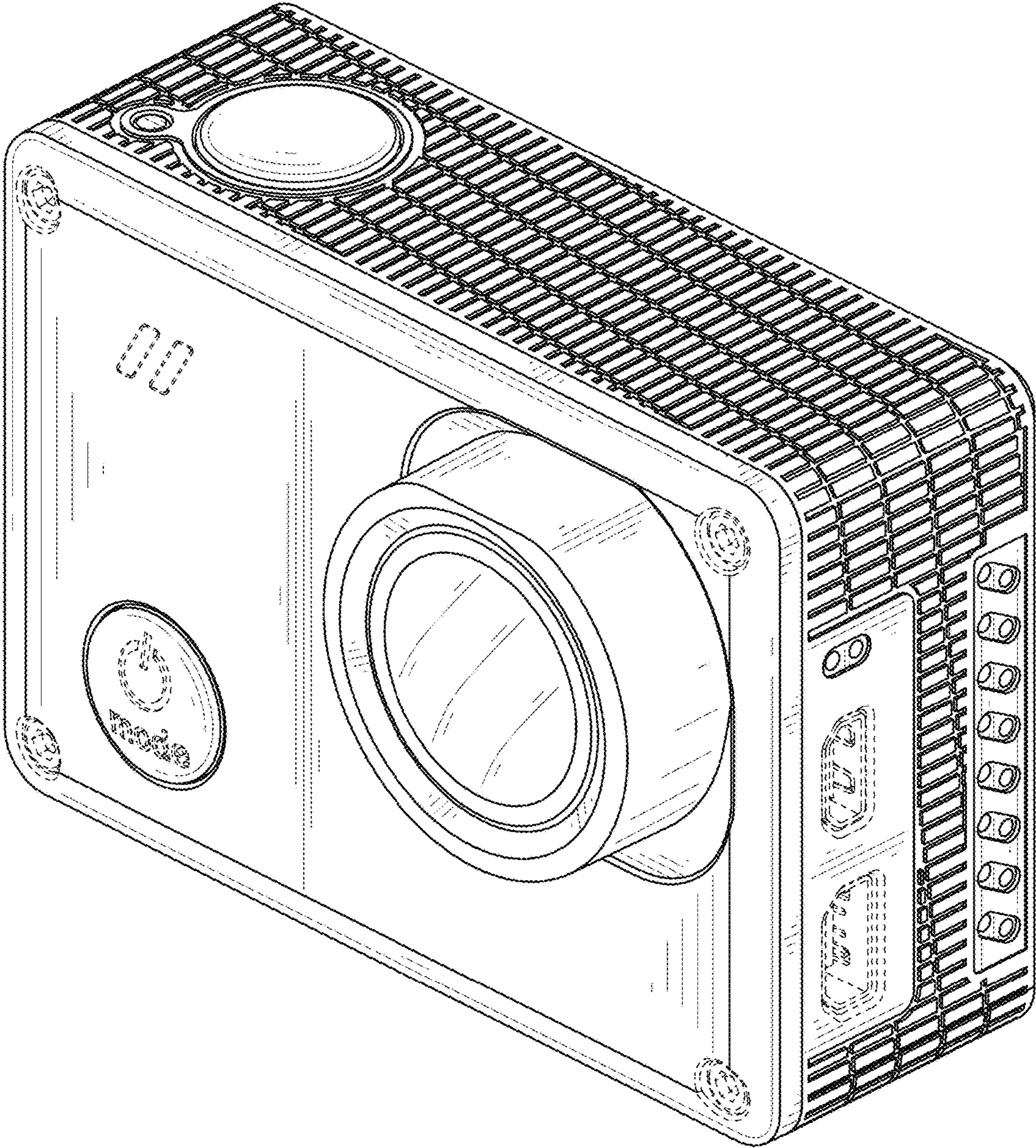


FIG. 1

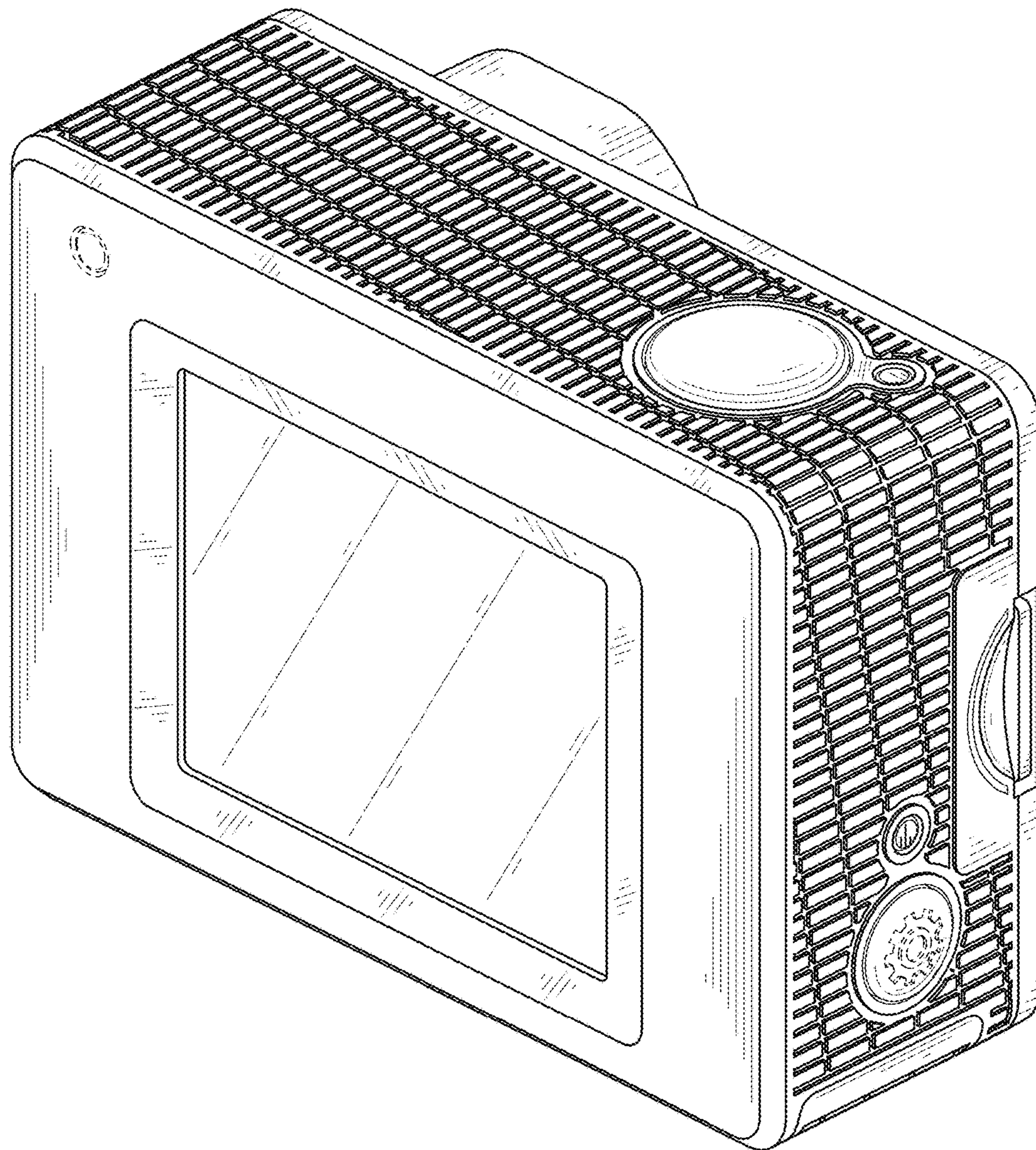


FIG. 2

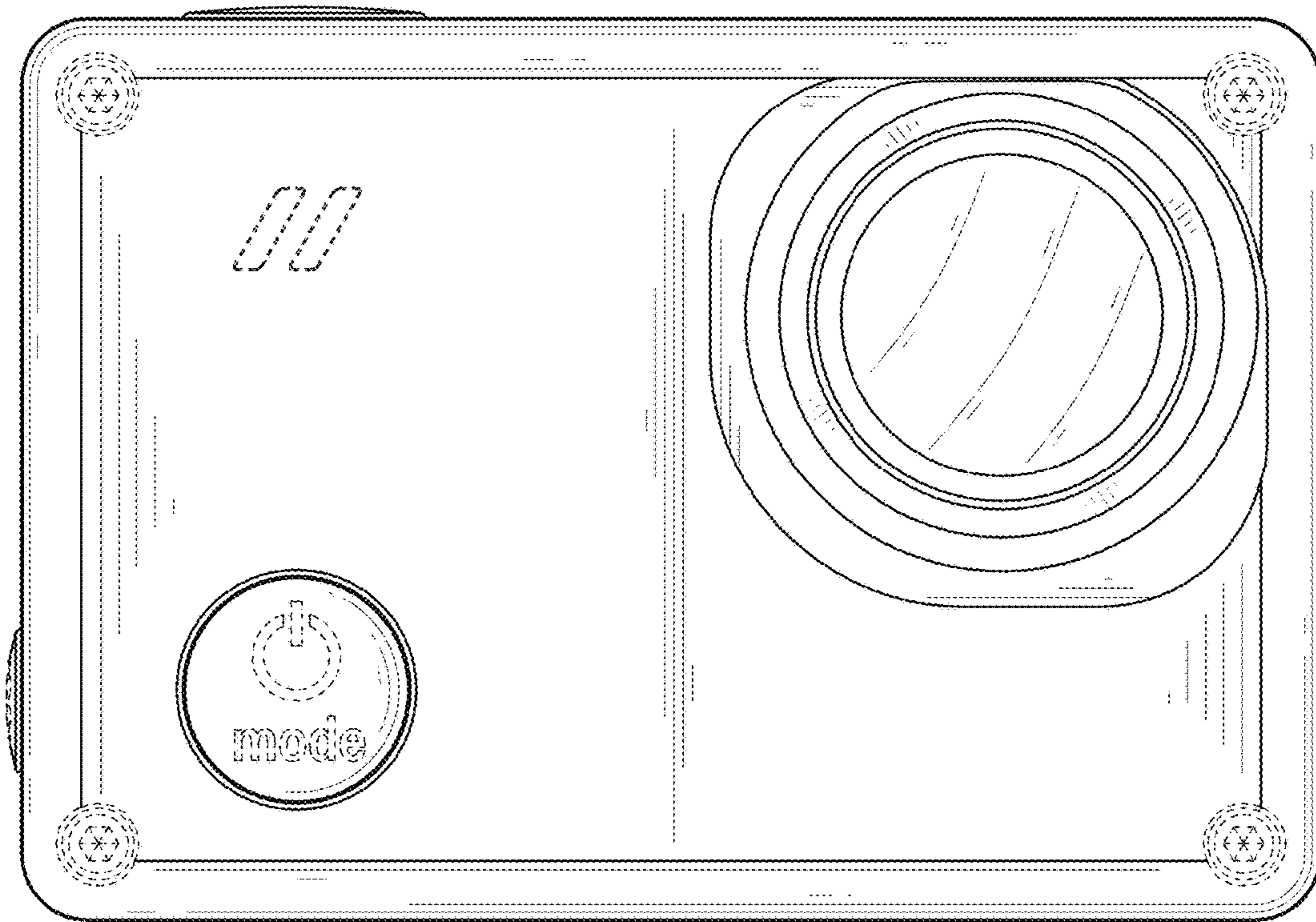


FIG. 3

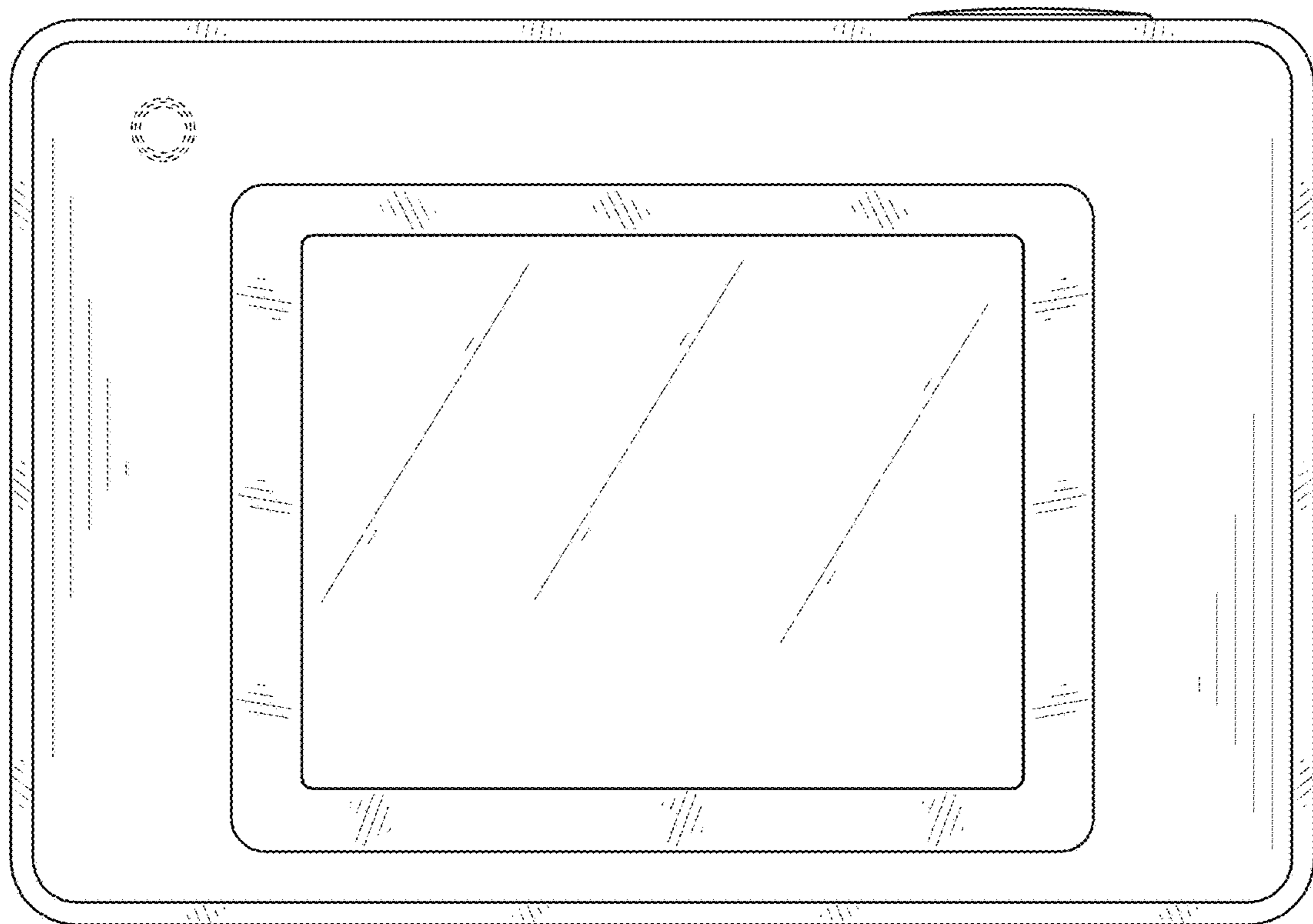


FIG. 4

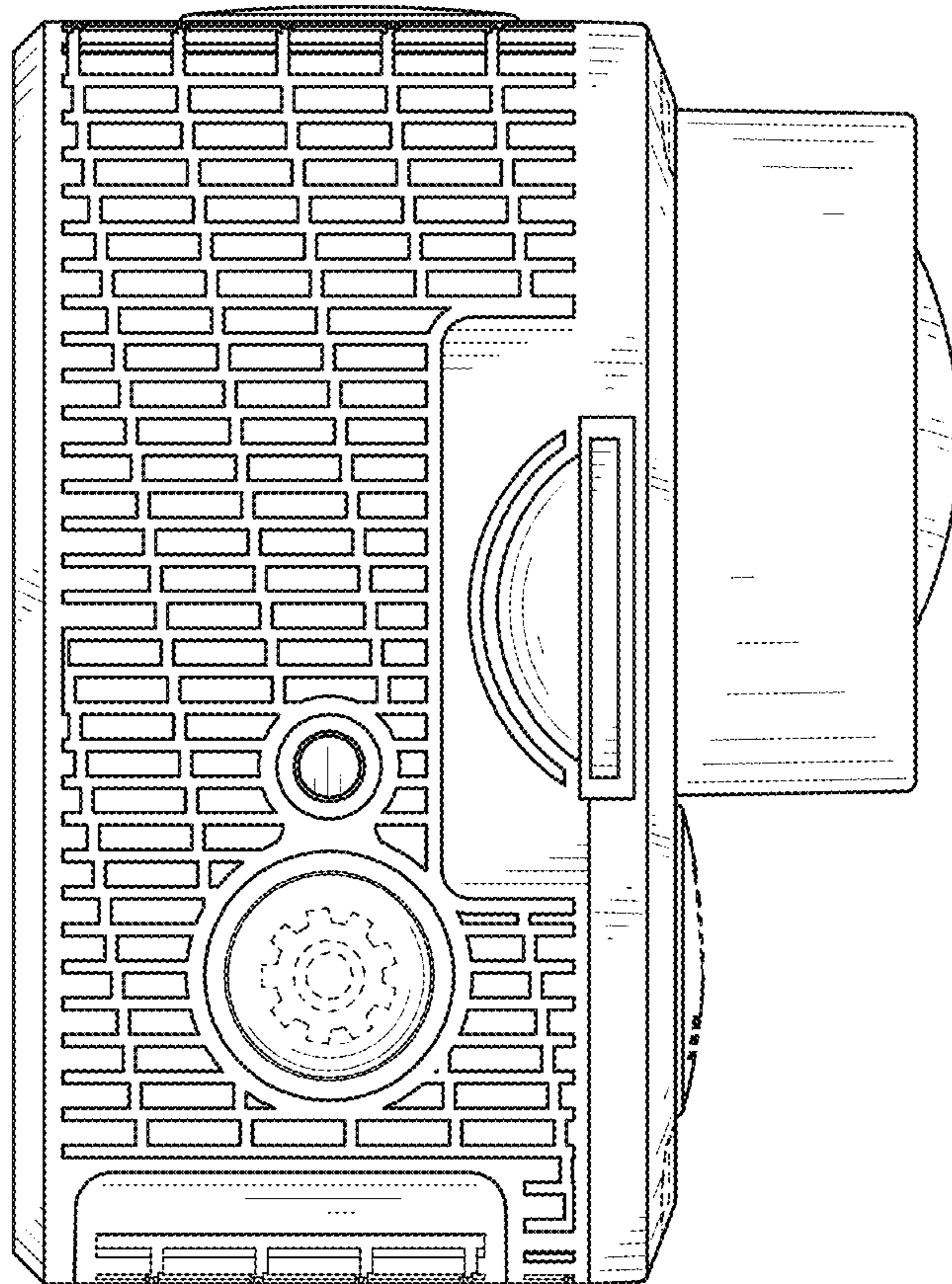


FIG. 5

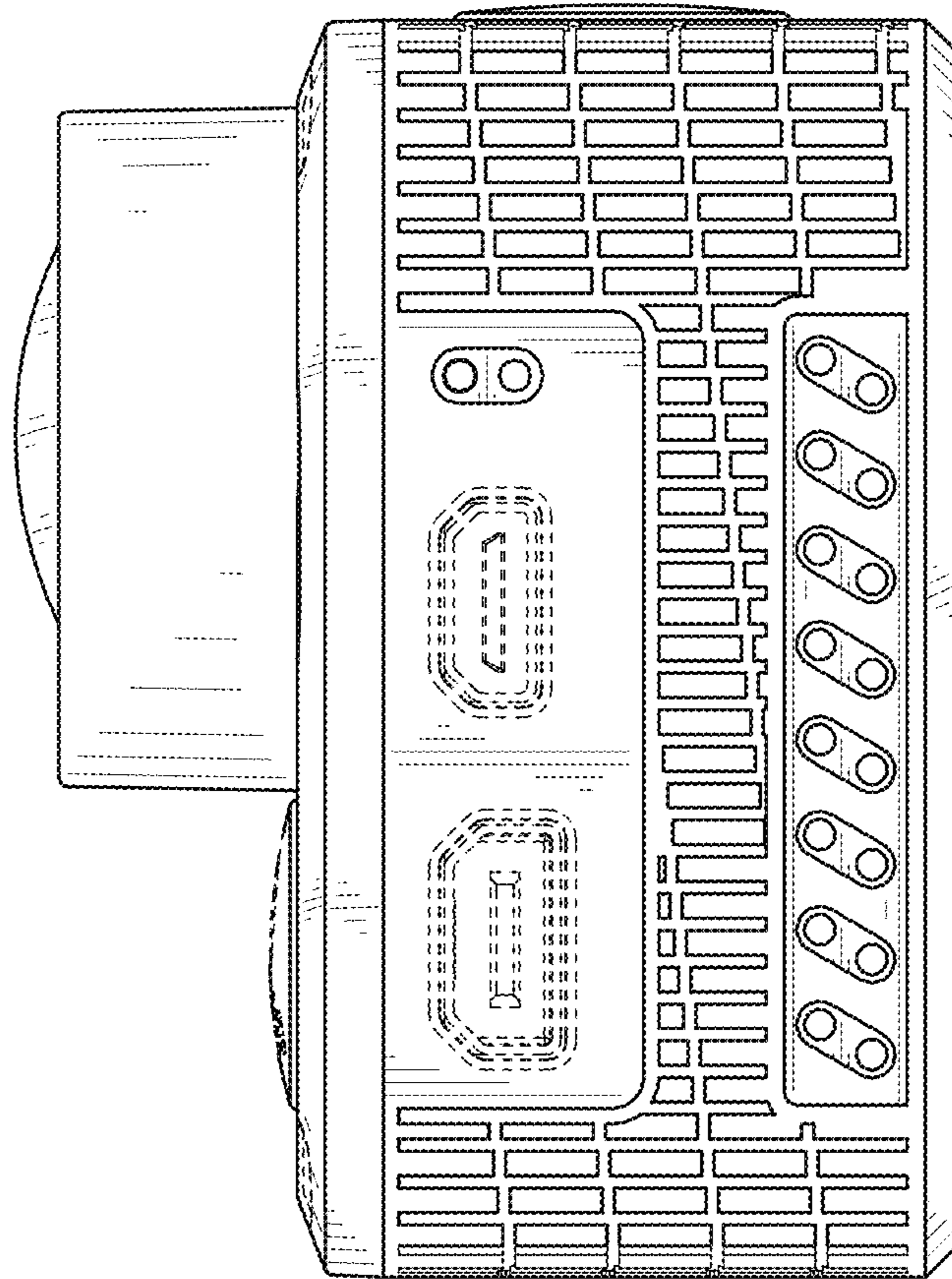


FIG. 6

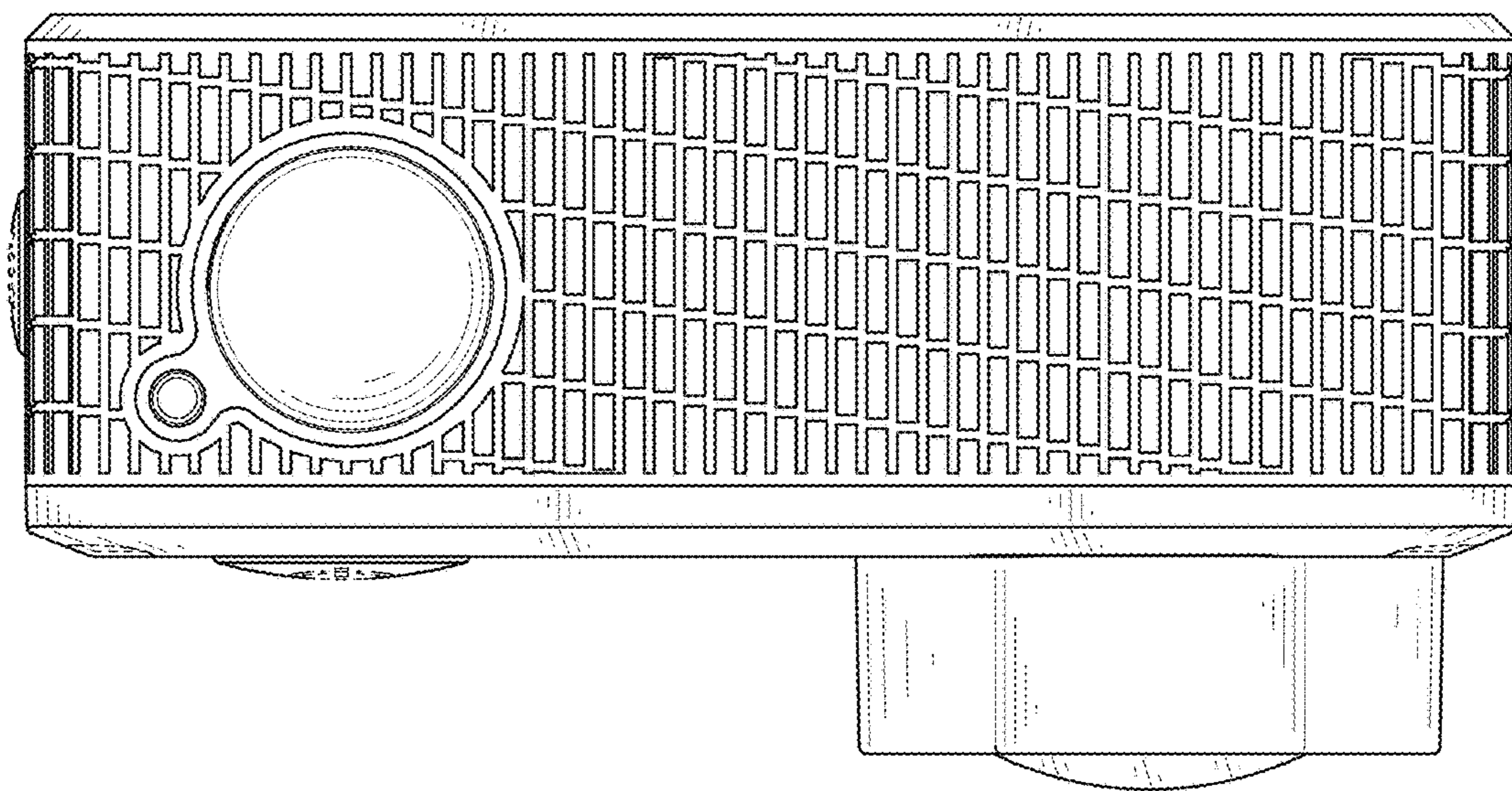


FIG. 7

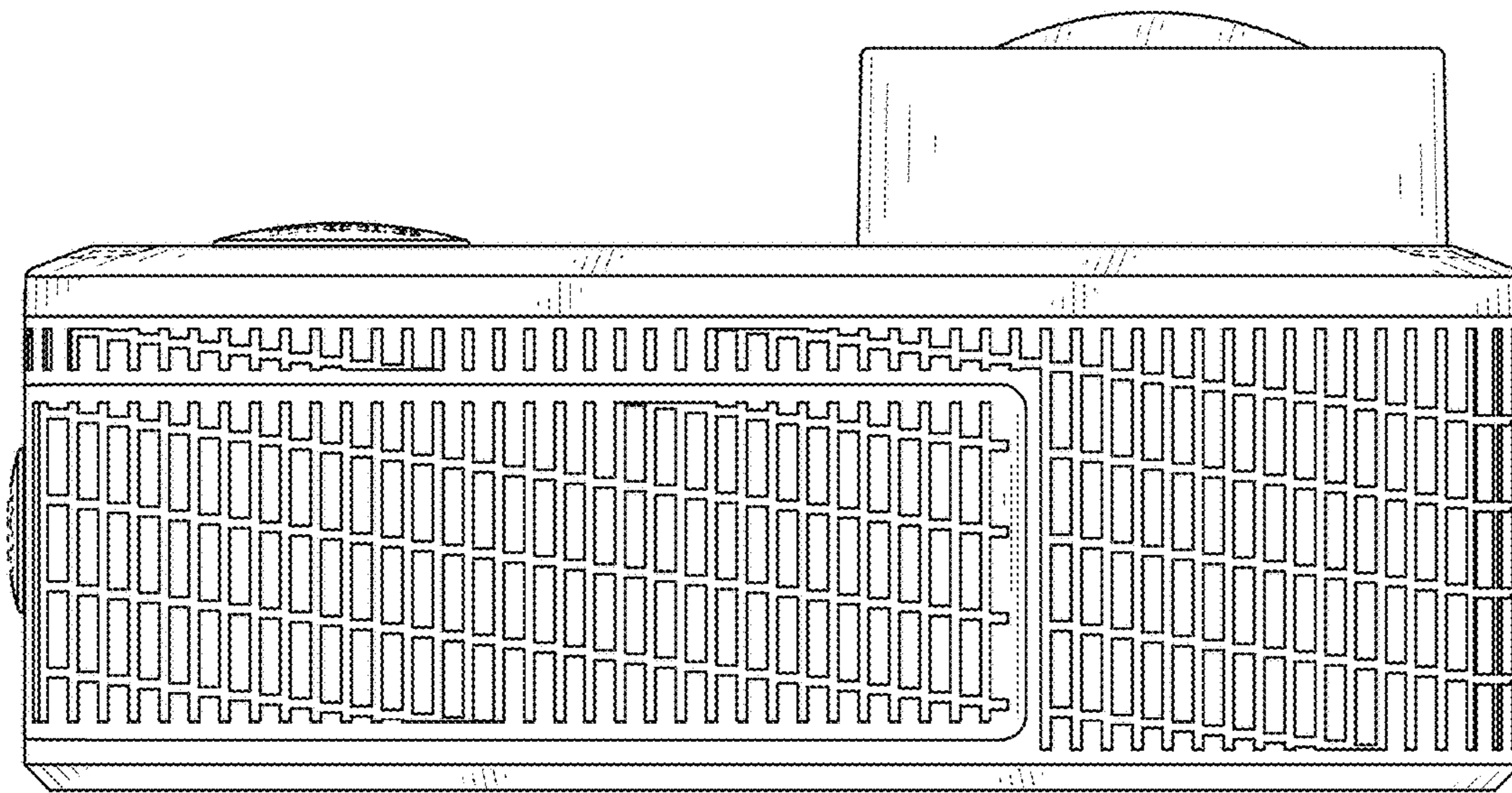


FIG. 8